

INSTALLATION INSTRUCTIONS

CAUTION: TO PREVENT ELECTRICAL SHOCK, ENSURE ELECTRICITY HAS BEEN TURNED OFF AT THE CIRCUIT BREAKER BEFORE BEGINNING.

- Read all instructions before installing.
- System is intended for installation by a licensed electrician in accordance with the National Electrical Code (NEC) and local regulations.
- When handling the fixture, do not apply pressure to the LEDs. Hold the fixture by the base only.
- Retain installation instructions for future maintenance reference.

WARNING: All parts must be used as indicated in these instructions. This product is designed for use only with the supplied parts and/or accessories designated for use by dweLED. Substitution of parts or accessories not designated for use with this product by dweLED could result in personal injury or property damage, and will void the warranty. Contact an authorized dealer or the manufacturer if any parts are damaged or missing.

MAINTENANCE NOTE: Coastal conditions may cause mineral and residue build-up on the fixture. We recommend that customers in coastal areas clean all external surfaces of the fixture once every two weeks with a wet cloth.

MISE EN GARDE: Pour éviter tout choc électrique, assurez-vous que le disjoncteur soit mis hors tension avant de commencer.

- Lisez toutes les instructions avant l'installation.
- Le système doit être installé par un électricien licencié conformément au code national de l'électricité (NEC), et également aux règlements locaux.
- Lors de la manipulation du luminaire, n'appuyez pas sur les LED. Tenez-le uniquement par la base.

ATTENTION: Toutes les pièces doivent être utilisées comme indiqué dans ces instructions. Ce produit est conçu pour être utilisé seulement avec les pièces et/ou accessoires fournis pour être utilisés avec les produits dweLED. Remplacer des pièces ou accessoires non conçus pour ce produit dweLED pourrait causer des dommages corporels ou matériels et pourrait également causer l'annulation de la garantie. Veuillez contacter un revendeur autorisé ou le fabricant si des pièces manquent ou sont endommagées.

NOTE D'ENTRETIEN: Les conditions côtières peut causer une accumulation de minéraux et de résidus sur le luminaire. Nous recommandons aux clients qui résident dans les zones côtières de nettoyer toutes les surfaces externes du luminaire une fois toutes les deux semaines avec un chiffon humide.

HARDWARE

A



Wire Connector
Qty: 5pcs+1 Extra

B



Junction Box Screw
Qty: 2pcs+1 Extra

C



Mounting Screw
Qty: 1 Extra

INSTALLATION INSTRUCTIONS

PREPARATION

1. Shut off the power at the circuit breaker and remove existing fixture, including the mounting hardware.
2. Carefully unpack your new fixture and lay out all the parts on a clear area. Be careful not to lose any small parts necessary for installation.

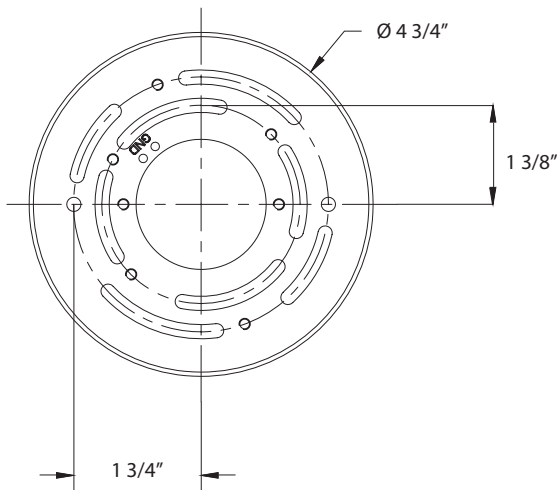
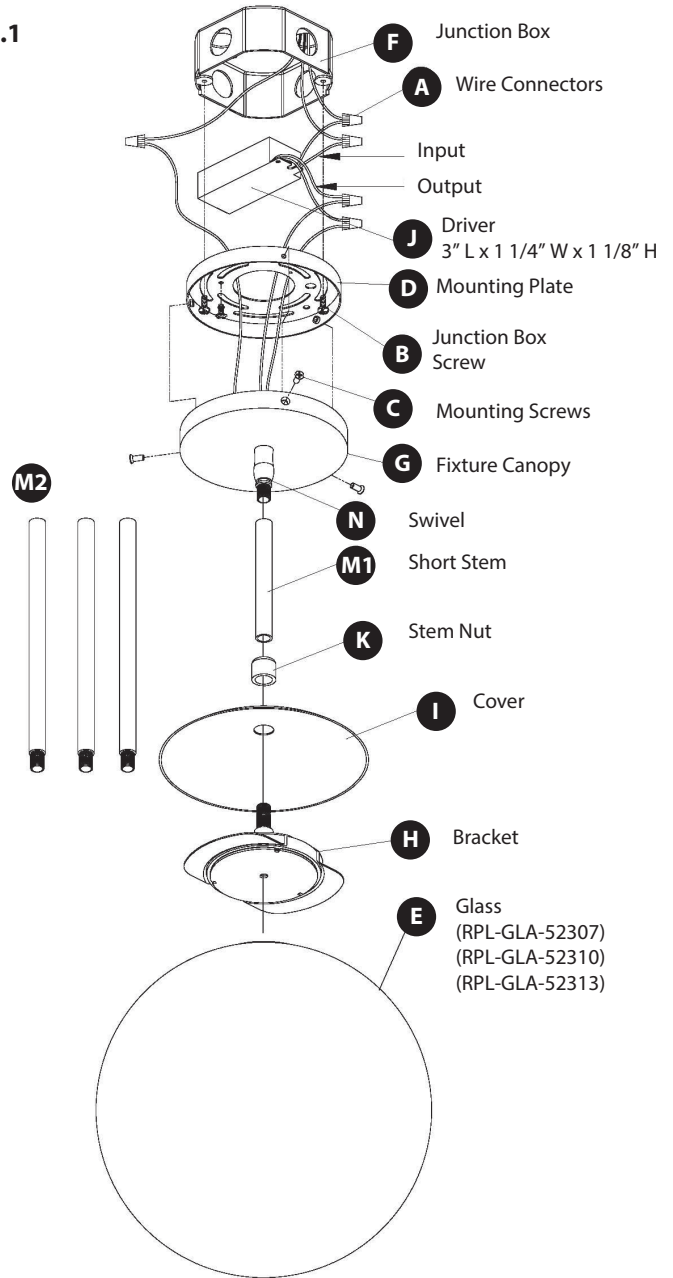
MOUNTING THE FIXTURE (Fig. 1)

3. Insert support bracket (H) into the glass (E).
4. Place the cover (I) onto the glass top. Secure the nut (K) onto the bracket (H) and tighten.
5. Thread the short stem (M1) onto the fixture top.
6. Choose the stem sections (M2) needed to hang the pendant at desired height.
7. Connect the swivel (N) stem sections and the short stem (M1). Feed the fixture wire through the stems, swivel and canopy.
8. Leave at least 6" of wire long from canopy (F) center. Cut the extra wire. Carefully strip the wire using a stripper (not provided).

CONNECTING THE WIRES (Fig. 2)

9. Connect the driver input wires with junction box as shown (Fig. 2.). Connect the driver input wires with supply wires as shown (Fig. 2). Make sure the wire connectors (A) are secure. Tuck wires carefully inside the junction box (A).
 10. Secure the mounting plate (D) to the junction box (F) using junction box screws (B).
- NOTE:** The side of the mounting plate marked "GND" must face out.
- NOTE:** This fixture requires the driver to be recessed within the junction box.
11. Wires with driver output wires: red (+) to red (+) and black (-) to black (-). Make sure that all wire connectors (A) are secure. Fixture and junction box ground wires should be connected to mounting plate using green screw provided.
 12. Place the fixture canopy (G) over the mounting plate (D) and secure with the mounting screws (C).

FIG.1



Back Plate Dimensions

Fig.2 Wiring

