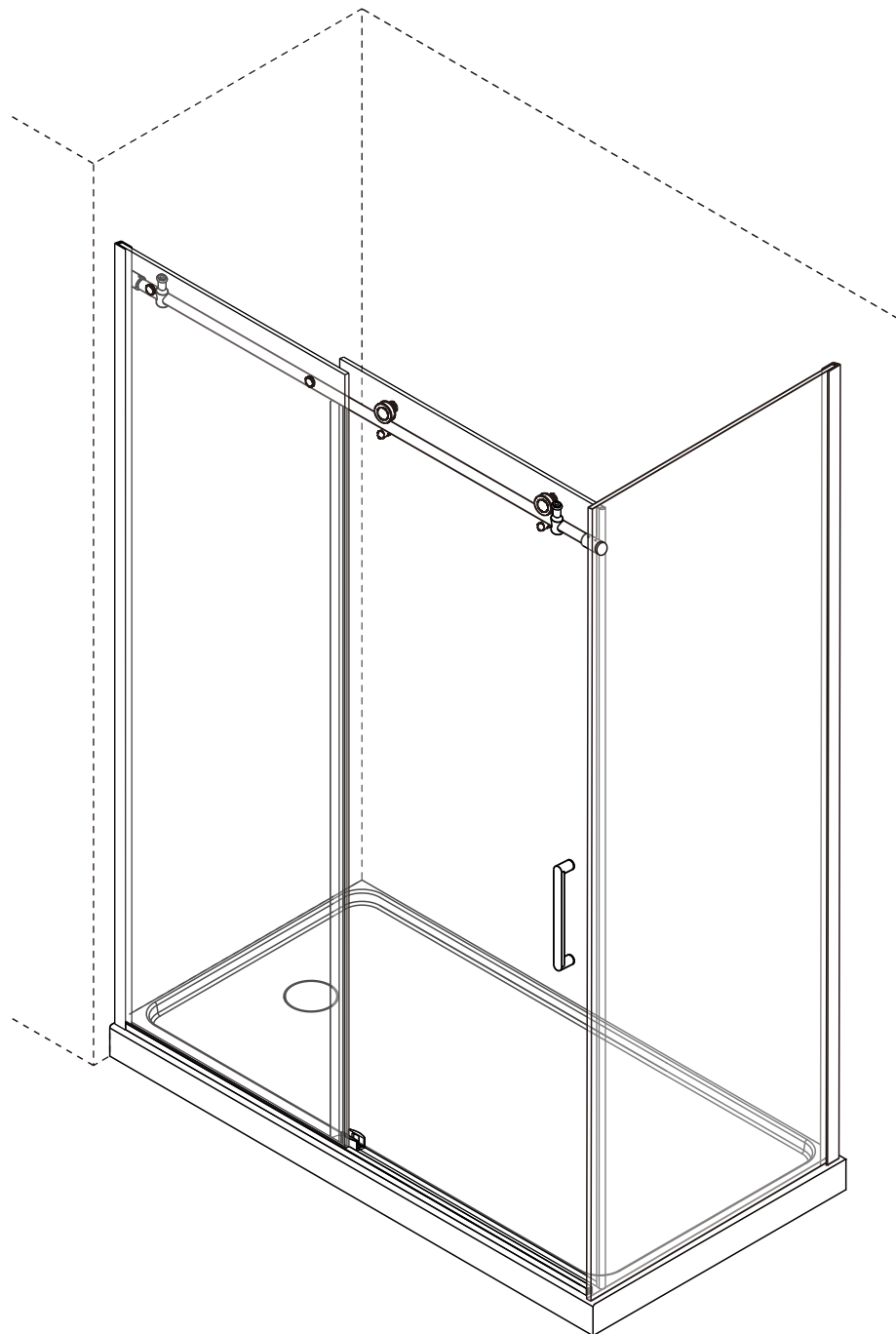


# INSTALLATION INSTRUCTIONS

**MI-3275-11-40**

**MI-3275-25-40**

**MI-3275-35-40**



## ◆ General Information

Inspect the product immediately upon receipt for transit damage, missing packs/parts or manufacturing fault. Damage reported later will not be accepted. Handle the product with care avoiding knocks and shock loading to all sides and edges of the glass.

**Notes: Safety glass can not be re-worked.**

Read these instructions carefully before start of installation.

Special care should be taken when drilling walls to avoid hidden pipes or electrical cables.

Note: This product is heavy and may require two people to install.

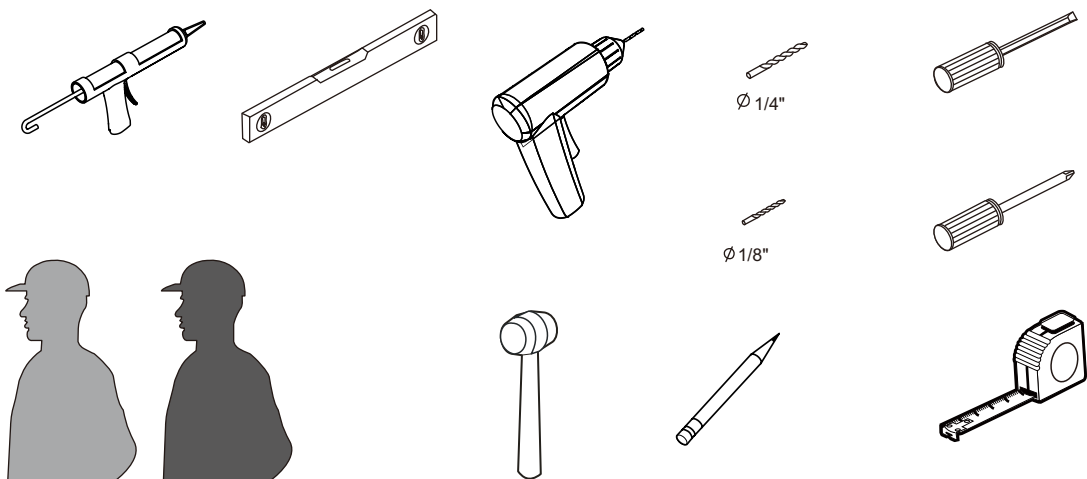
## Aftercare instructions

After use, your shower should be cleaned with soap and water. This is particularly important in hard water districts where insoluble lime salts maybe deposited and allowed to build up. Cleaners of a gritty or abrasive nature should not be used. Care should be taken to avoid contact with strong chemicals, they can be used but with caution, if in doubt contact the manufacturer of the cleaner in question.

Keep these instructions for aftercare and customer service details.

---

## Tools Required



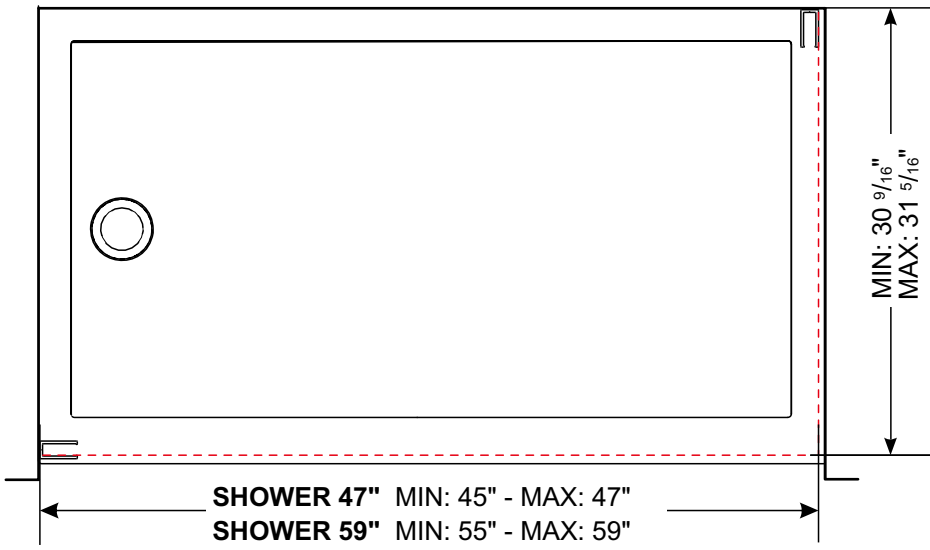
This product is heavy and may require two people to install.



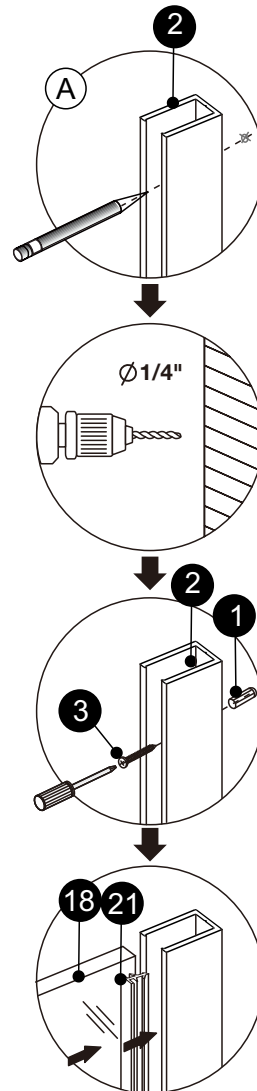
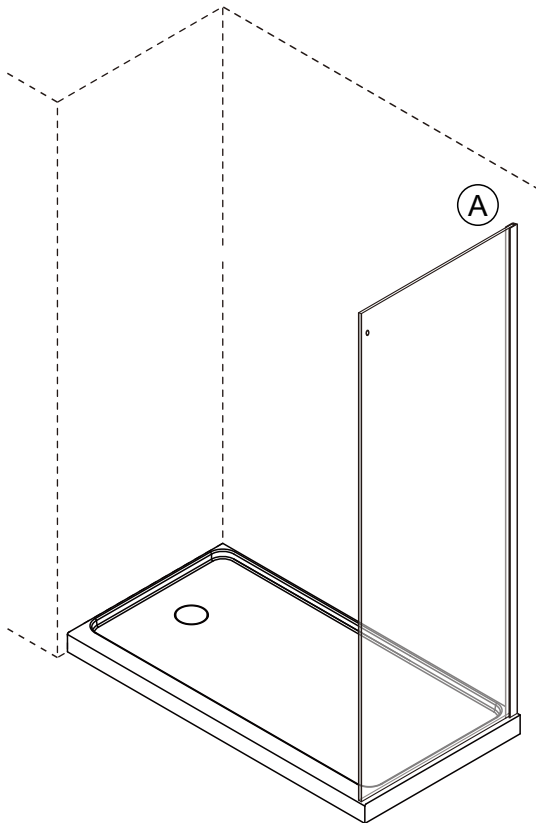


# ◆ Installation Steps

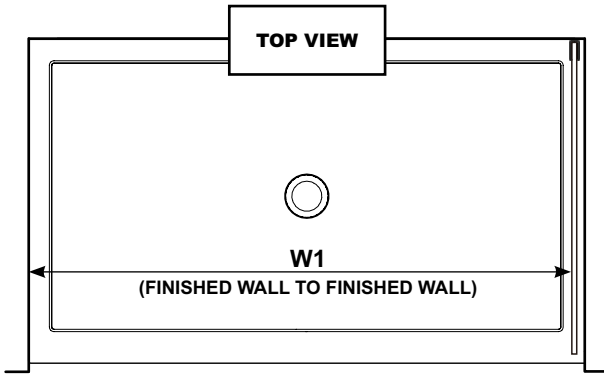
## Step 1



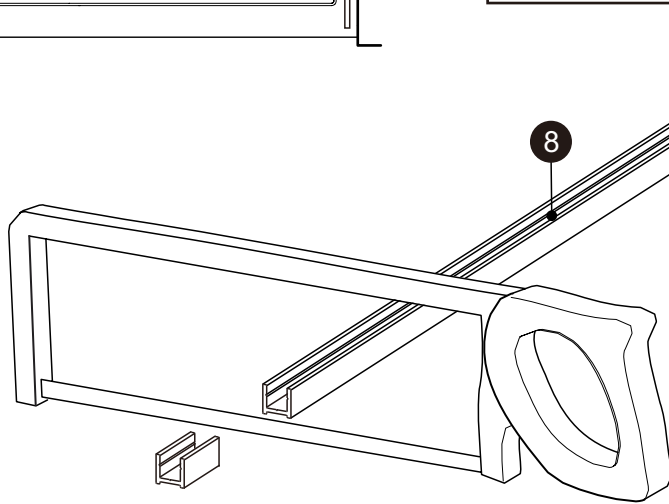
## Step 2



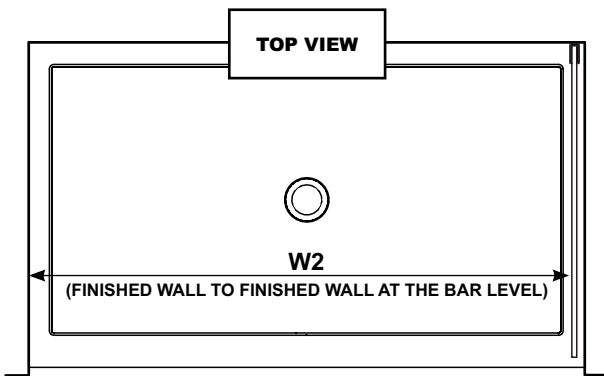
### Step 3



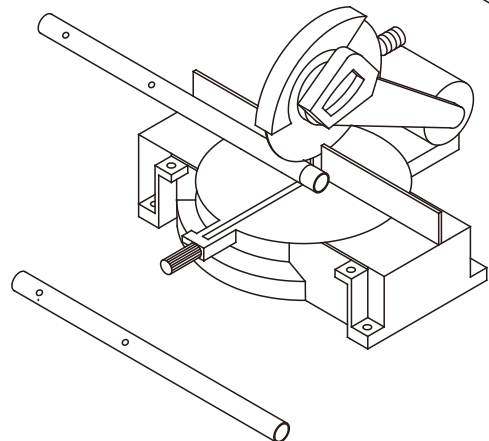
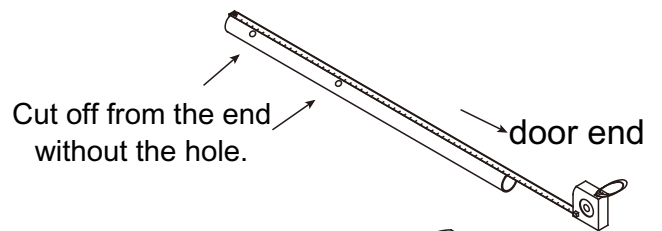
FORMULA
DRIP RAIL = SUBTRACT 1-3/8" (35mm) FROM W1



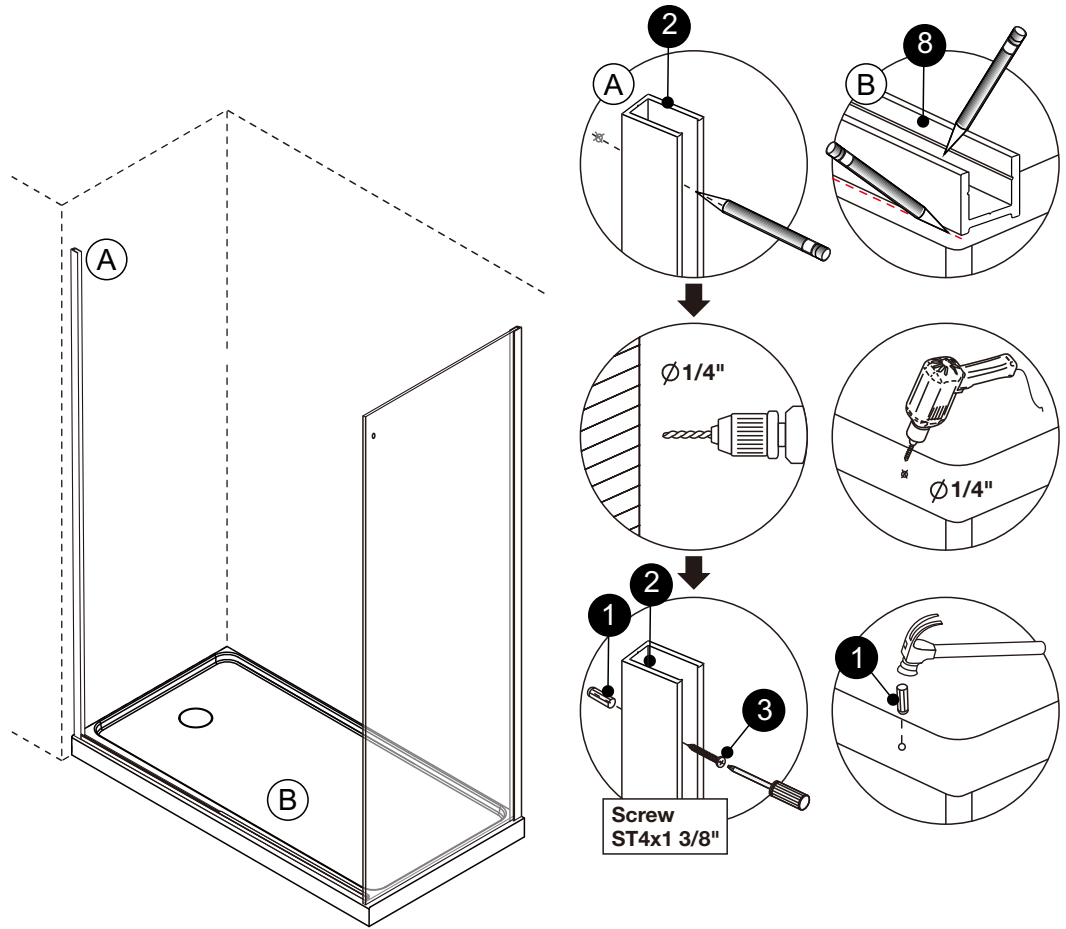
### Step 4



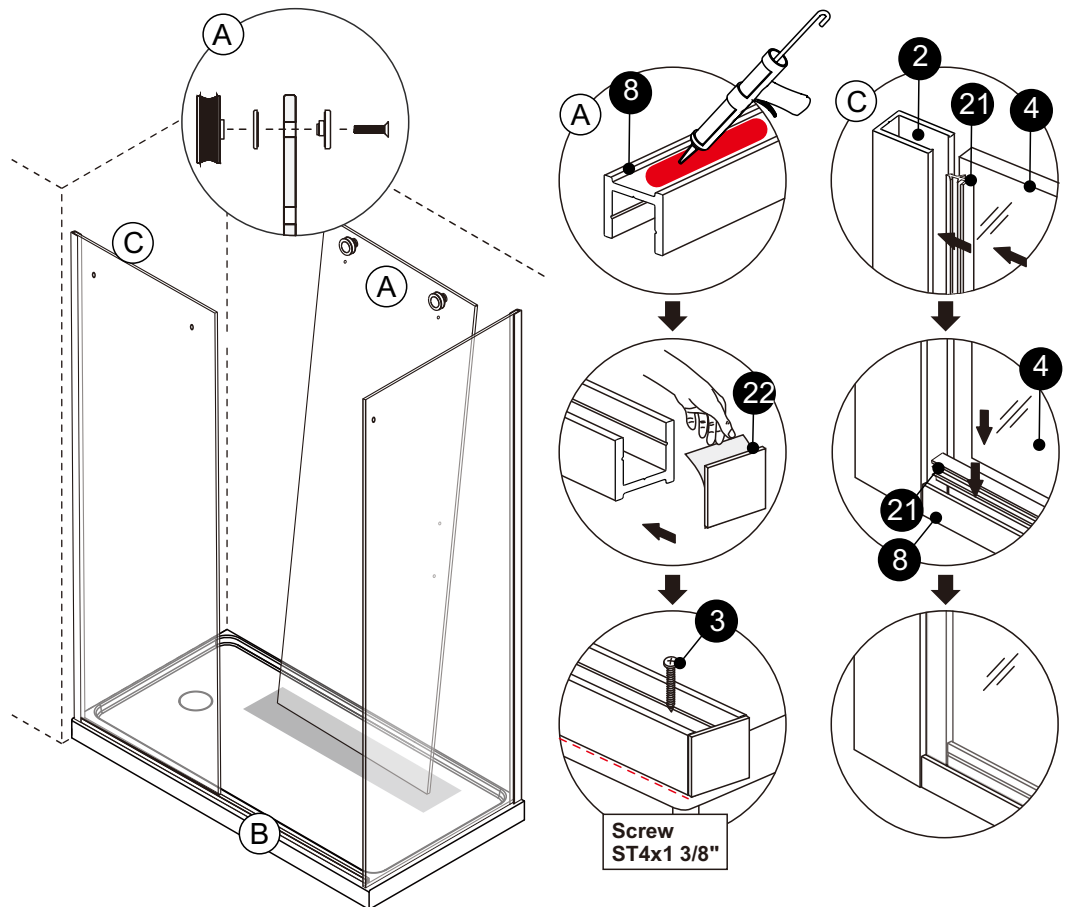
FORMULA
TOP RAIL = SUBTRACT 2-5/16" (59mm) FROM W2



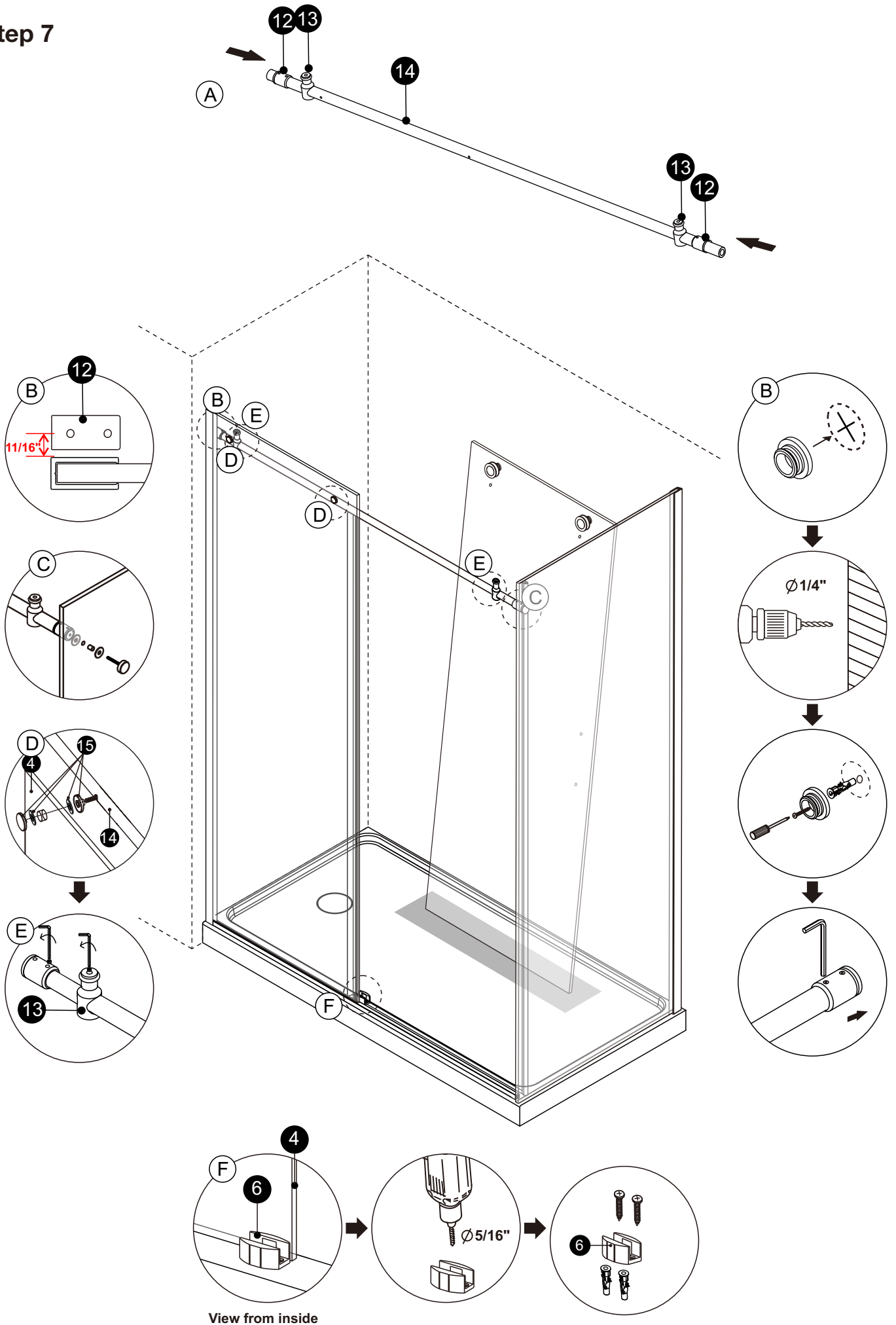
## Step 5



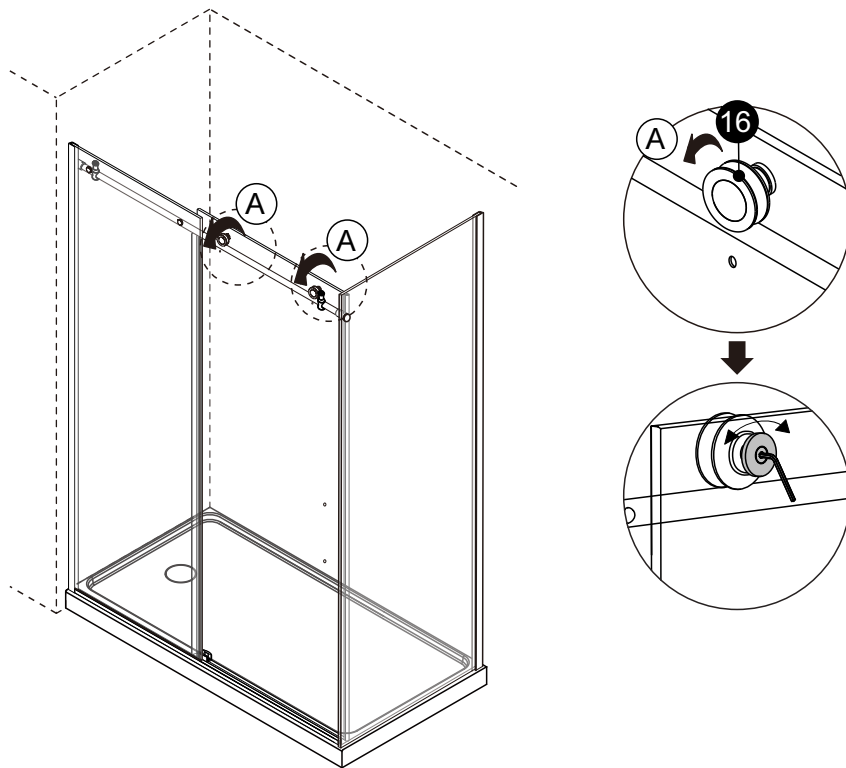
## Step 6



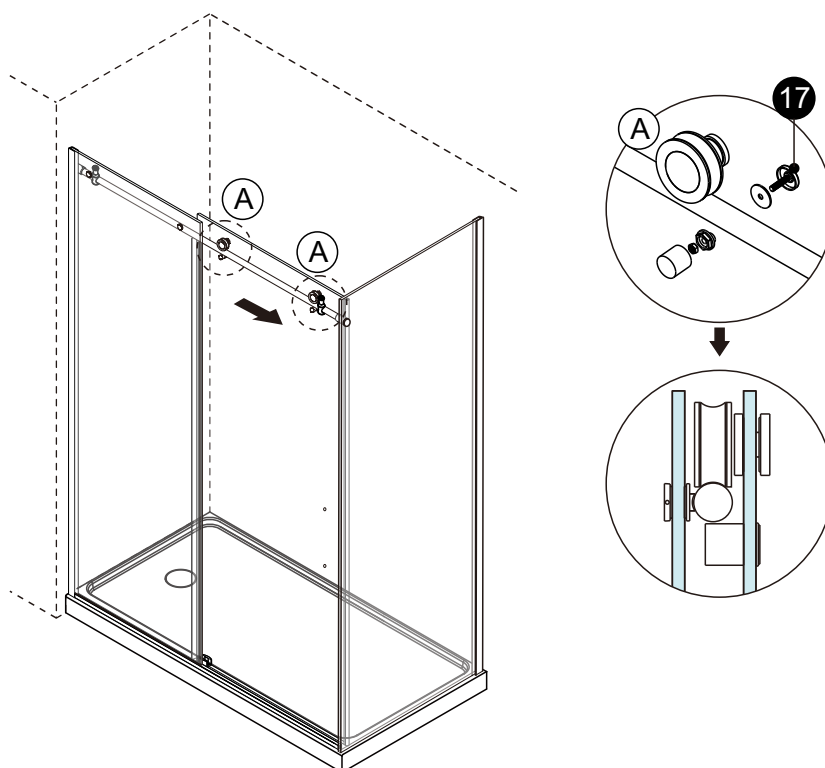
# Step 7



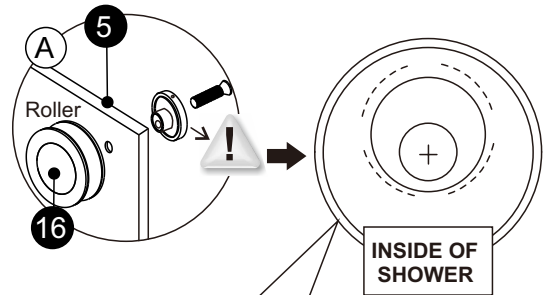
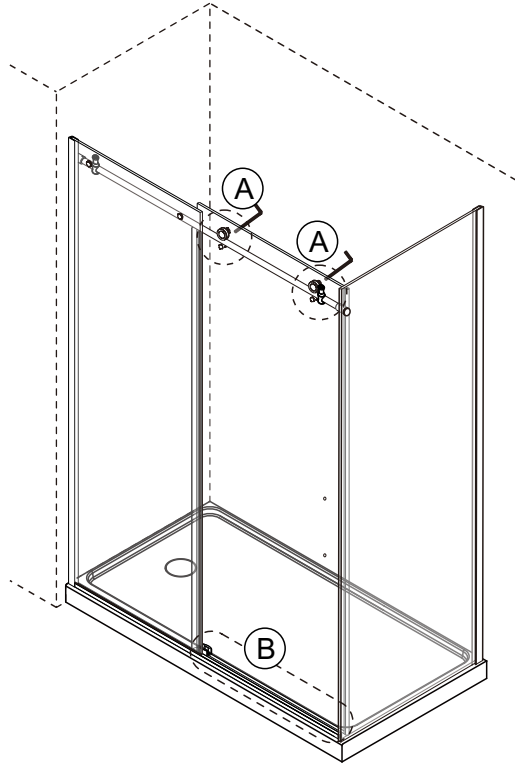
## Step 8



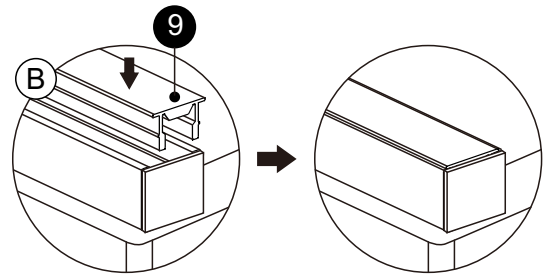
## Step 9



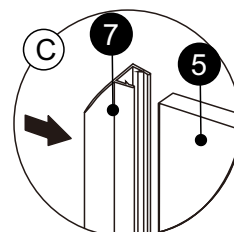
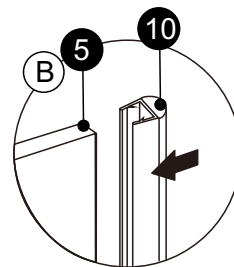
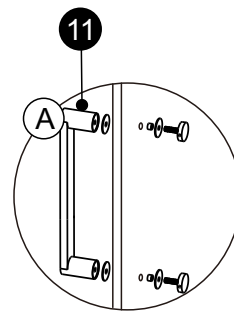
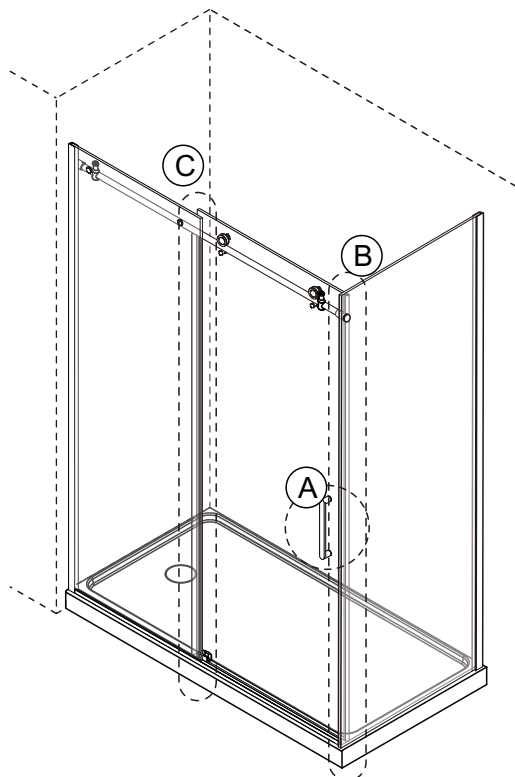
## Step 10



**!** Carefully slide the door toward the wall and check the door is sliding smoothly. Adjust if necessary using offset in rollers, so that the sliding door is parallel to the tray.



## Step 11



## Step 12



**24 HOURS**

Allow 24 hours for silicone to dry before use.

