



ROCKING CHAIR

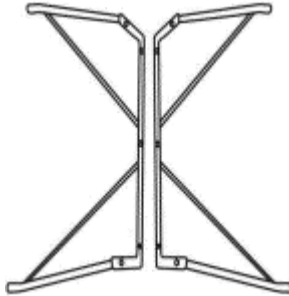
SAFETY & WARNINGS

- Identify all the parts and hardware.
- Do not discard of the packaging until you have checked that you have all of the parts and hardware required.
- Hardware package may have spare parts.
- Attention! This item contains small parts which can be swallowed by children and pets.
- Keep children and pets away during assembly.
- To avoid danger of suffocation, always keep plastic bags away from children and pets.
- We recommend that you assemble this unit on a carpeted floor to avoid scratches.
- We do not recommend the use of power tools for assembly as this could damage the unit. Only use manual tools.
- Cautions: Please avoid to get dirty of sofa surface with oil stain, ball-point pen, ink, etc. Cushion cover is removable to wash.

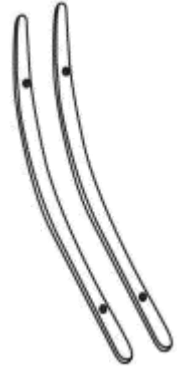
COMPONENT LIST



(1): Seat (x1)



(2) : Front Support (x1)
Rear Support (x1)



(3): Leg (x2)



(4): Short Screw (x10)
M6 x 20MM



(5) : Long Screw (x4)
M6 x 40MM



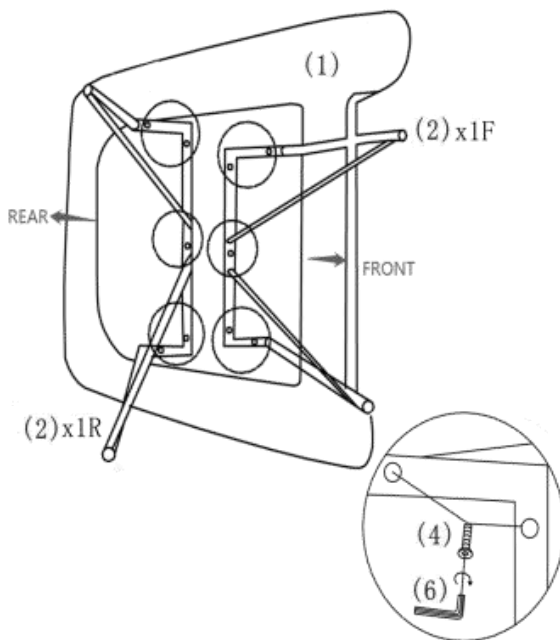
(6): Allen Key (x1)

INSTALLATION

Step 1

Place the seat (1) upside down on a clean floor as shown. Attach the front support and rear support (2) to the seat (1) with short screws (4) using the Allen key (6).

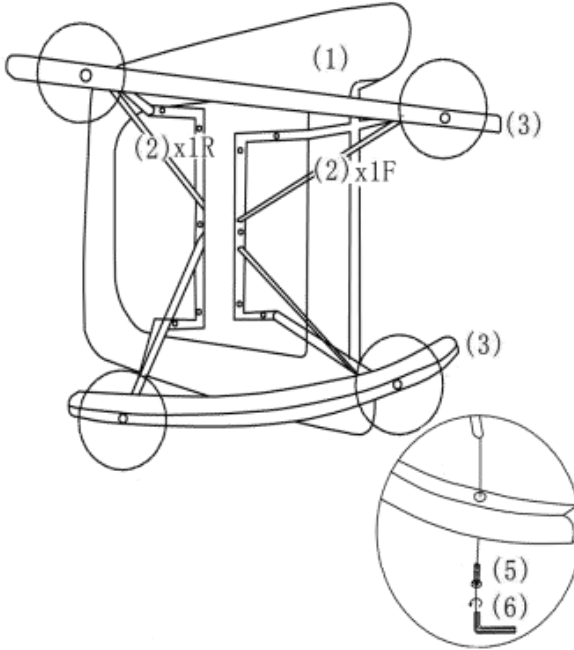
Tips: Don't tighten the screws 100% before all screws are in right position.



Step 2

Attach two legs (3) to the front support and rear support (2) with long screws (5) using the Allen key (6).

Tips: Don't tighten the screws 100% before all screws are in right position.



Step 3

Put the rocking chair in its upright position and the assembly is finished.



CLEANING & CARE

- Do not put hot items directly on furniture surface.
- Do not clean furniture with harsh cleansers or polish.
- Do not place furniture under direct sunlight.
- Do not place furniture near heating or cooling vents.
- Do not write on furniture without a padded barrier to protect the surface.
- Do not place furniture outside. For indoor use only.
- Stains may be removed with mild soap solution and damp cloth.
- Children should not climb or jump on the furniture.
- Dust and pick up spills using a clean, non-colored, lint-free cloth.