





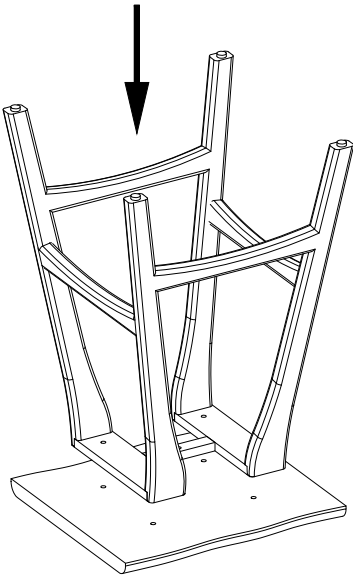
# ASSEMBLY INSTRUCTIONS & PARTS IDENTIFICATION WOOD STOOL

Thank you for purchasing this quality product. Be sure to check all packing material carefully for small parts that may have come loose inside the carton during shipment

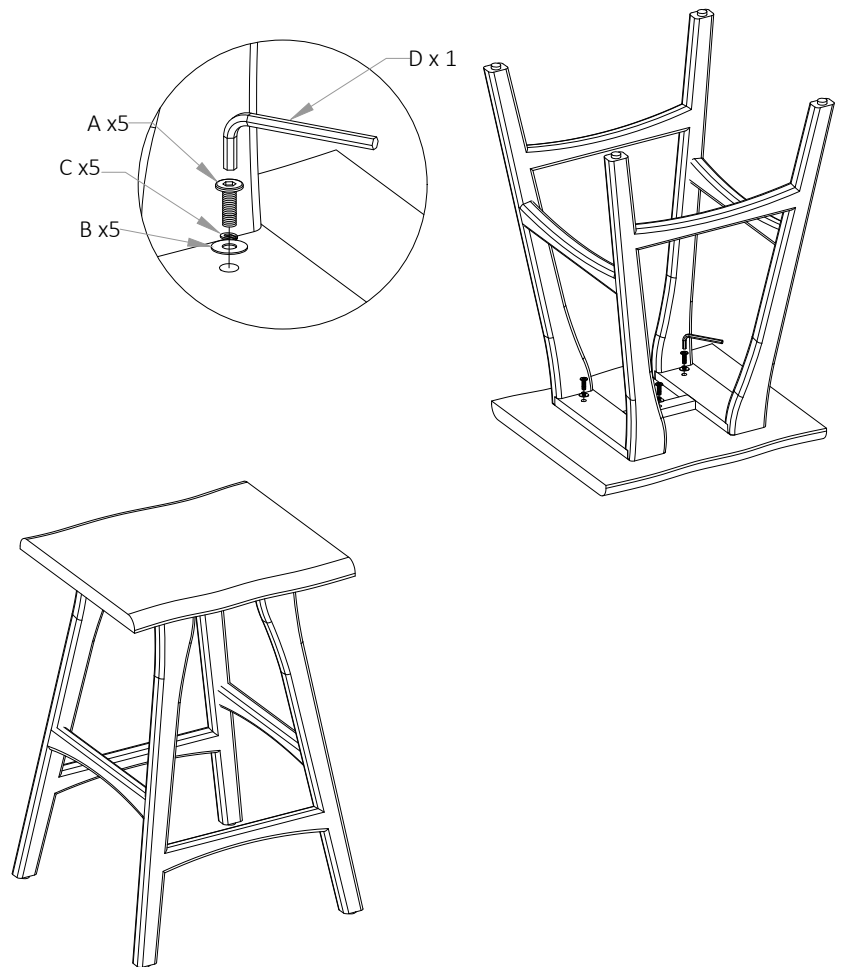
Stool Components				Stool Hardware Kit			
No.	Code	Description	Q'ty	No.	image	Description	Q'ty
1	S	SEAT	1 PC	A		BOLT M8* x 25 MM	5 PC
2	LAS	LEG ASSEMBLY	1 PC	B		FLAT WASHER	5 PC
				C		LOCK WASHER	5 PC
				D		ALLEN WRENCH 5 MM	1 PC

**HAND TIGHTEN BOLTS - DO NOT USE POWER TOOLS**

STEP 1



STEP 2



**MADE IN INDIA**