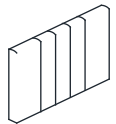
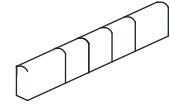
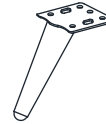
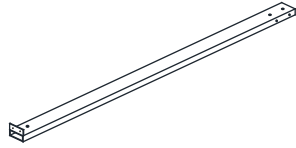
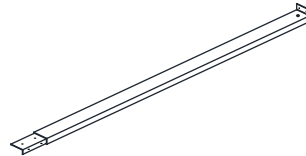
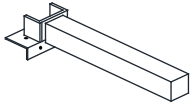
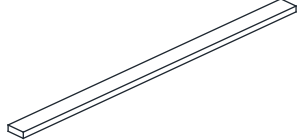

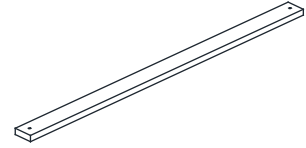
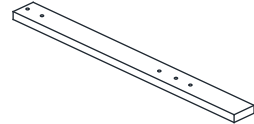




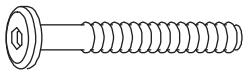
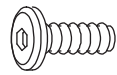
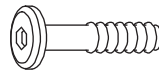
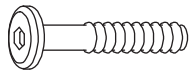






# ASSEMBLY INSTRUCTION

## PARTLIST

<p>1</p>  <p>HEADBOARD CUSHION x1</p>	<p>2</p>  <p>FOOTBOARD CUSHION x1</p>	<p>3</p>  <p>FOOTBOARD LEG x2</p>	<p>5</p>  <p>SIDE RAIL x2</p>	<p>6</p>  <p>SIDE RAIL x2</p>
<p>7</p>  <p>SIDE RAIL LEG x2</p>	<p>10</p>  <p>SLAT x12</p>	<p>12</p>  <p>SOCKET x24</p>	<p>13</p>  <p>SUPPORT RAIL x2</p>	<p>14</p>  <p>HEADBOARD LEG x2</p>
<p>15</p>  <p>SIDE RAIL COVER x2</p>	<p>24</p>  <p>VELCRO TAPE x2</p>			

\*All parts needed are shown in above picture.  
Numbers only indicate the specific parts for easy assembly.

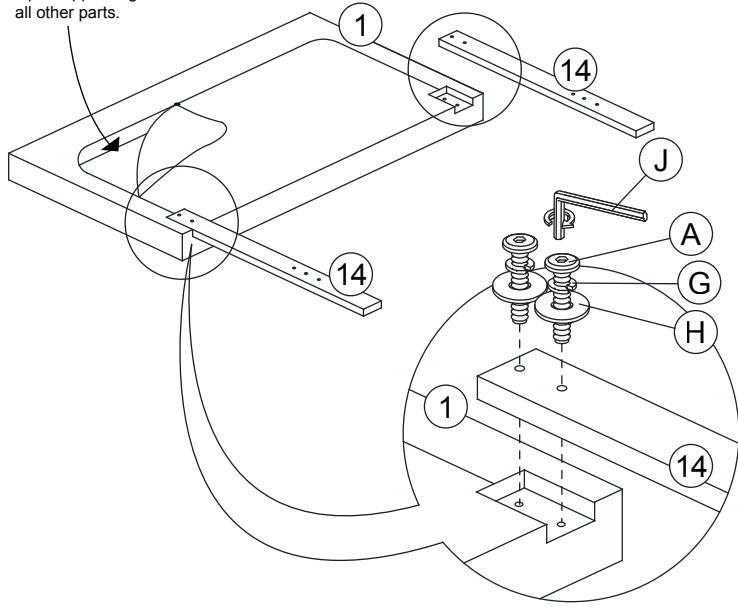
## HARDWARE

<p>A</p>  <p>JCBB SCREW M8 x 40MM x4</p>	<p>B</p>  <p>JCBC SCREW M6 x 15MM x14</p>	<p>C</p>  <p>JCBC SCREW M6 x 20MM x8</p>	<p>D</p>  <p>JCBC SCREW M6 x 35MM x4</p>	<p>E</p>  <p>SPRING WASHER M6 x 12MM x4</p>
<p>F</p>  <p>FLAT WASHER M6 x 19MM x4</p>	<p>G</p>  <p>SPRING WASHER M8 x 13MM x4</p>	<p>H</p>  <p>FLAT WASHER M8 x 22MM x4</p>	<p>I</p>  <p>L - KEY M4 x 100MM x1</p>	<p>J</p>  <p>L - KEY M5 x 65MM x1</p>

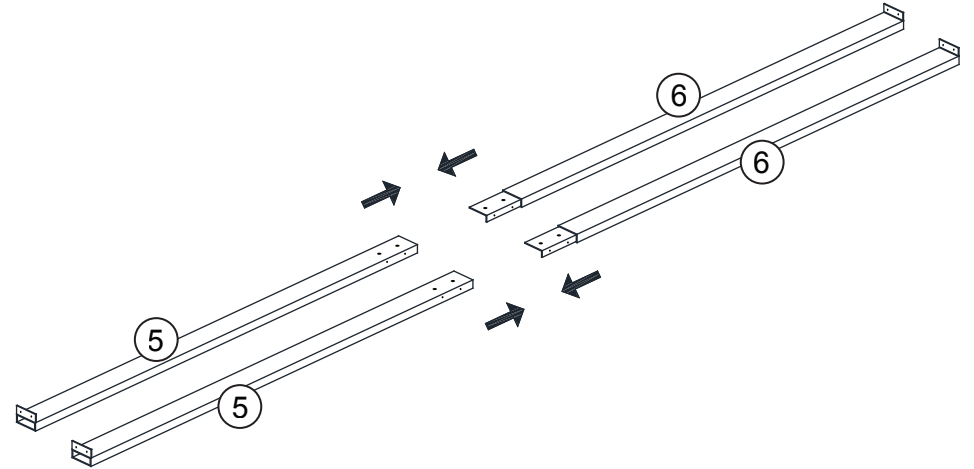
# ASSEMBLY INSTRUCTION

## STEP 1

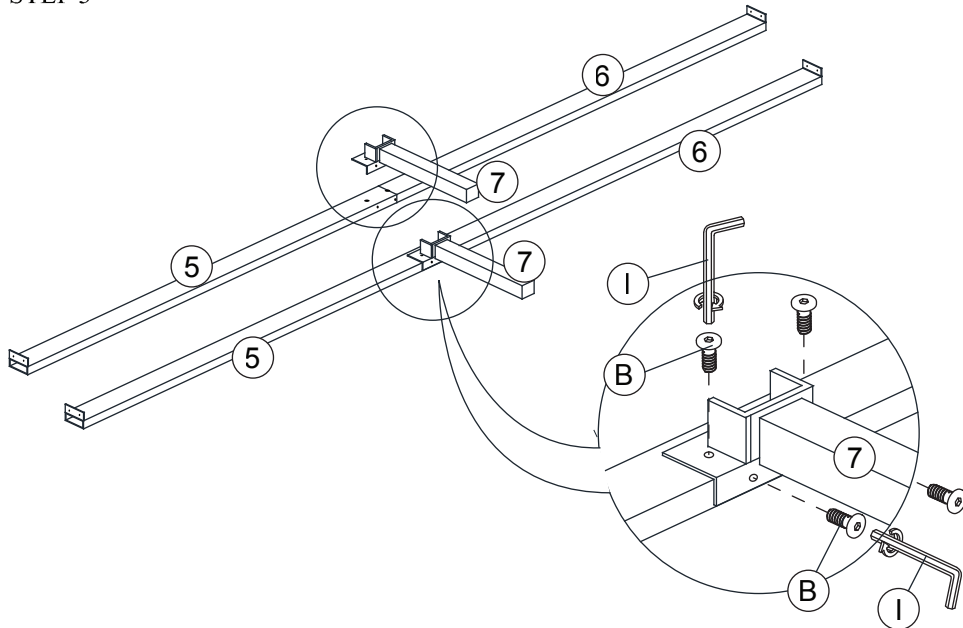
Open zipper to get all other parts.



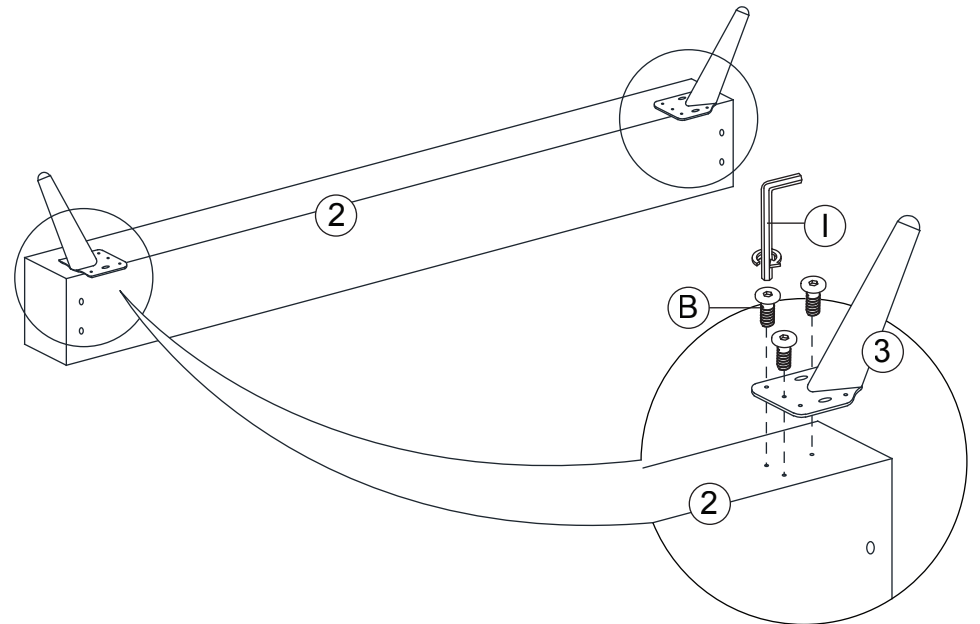
## STEP 2



## STEP 3

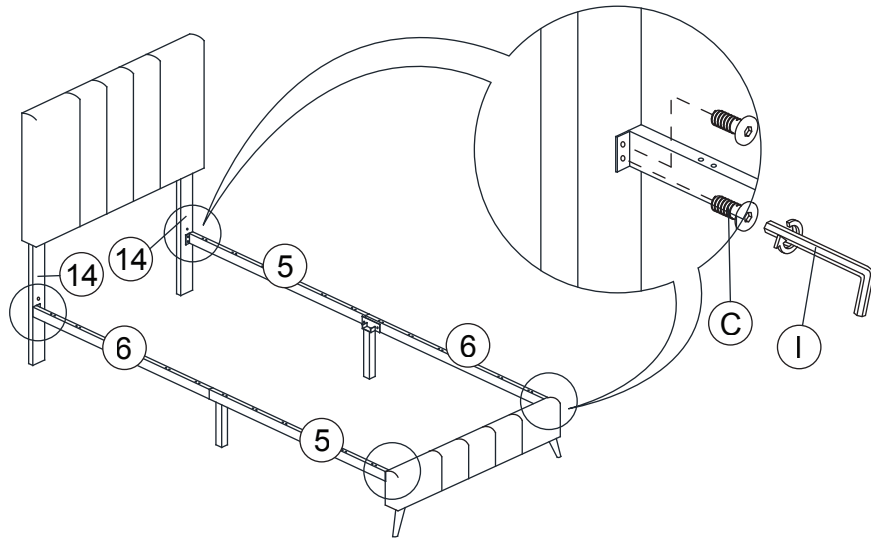


## STEP 4

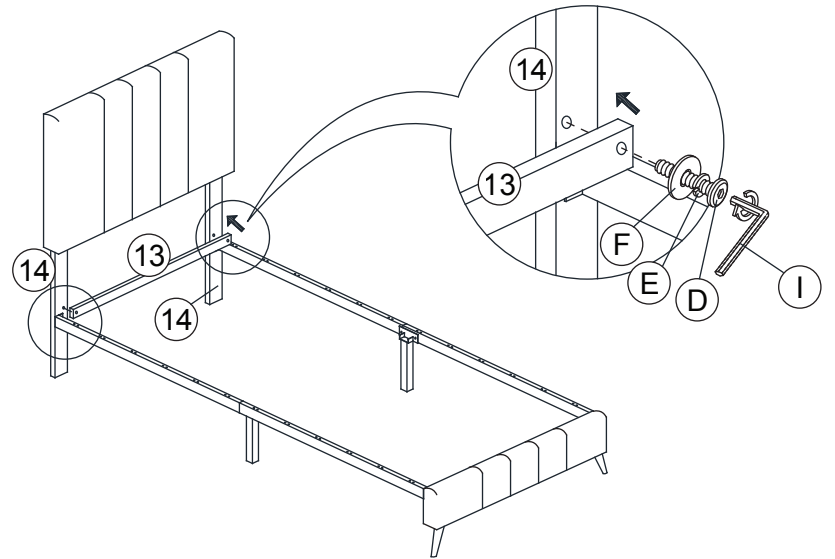


# ASSEMBLY INSTRUCTION

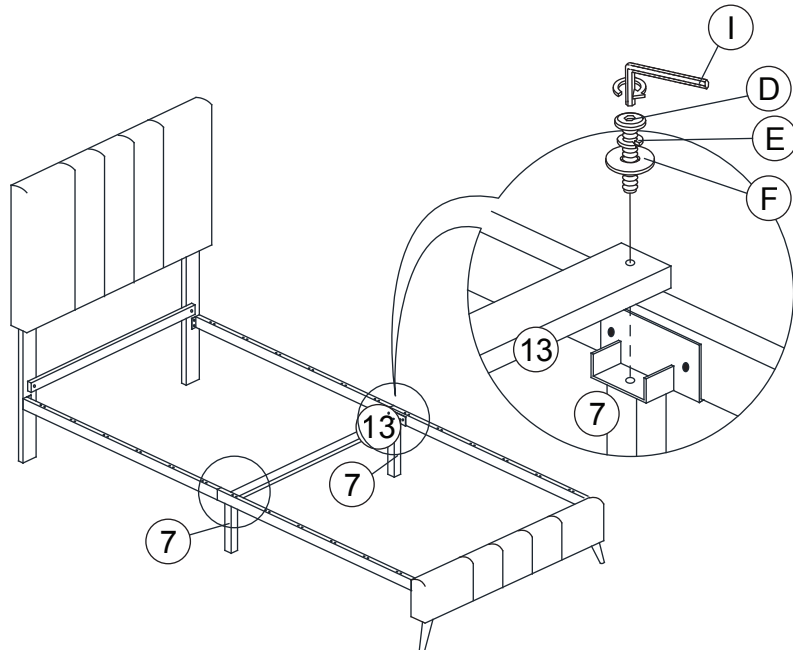
STEP 5



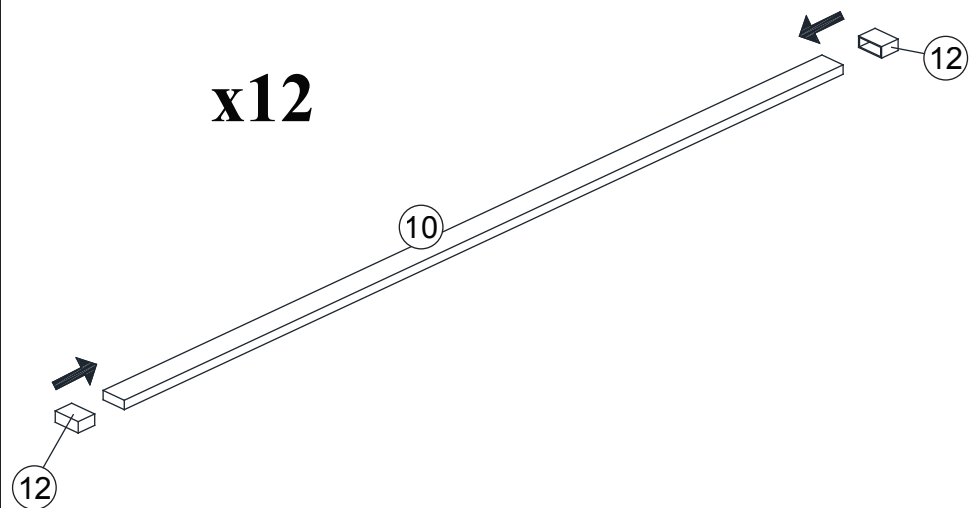
STEP 6



STEP 7

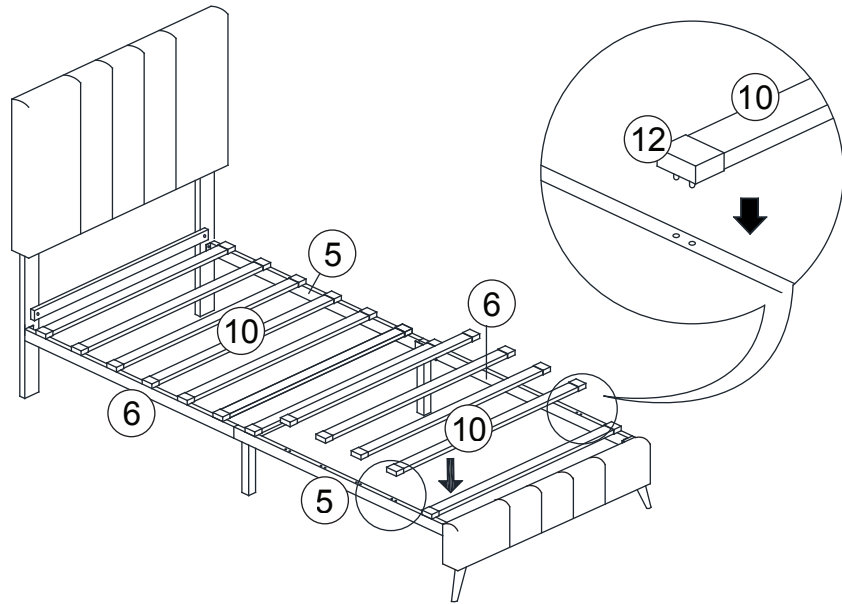


STEP 8

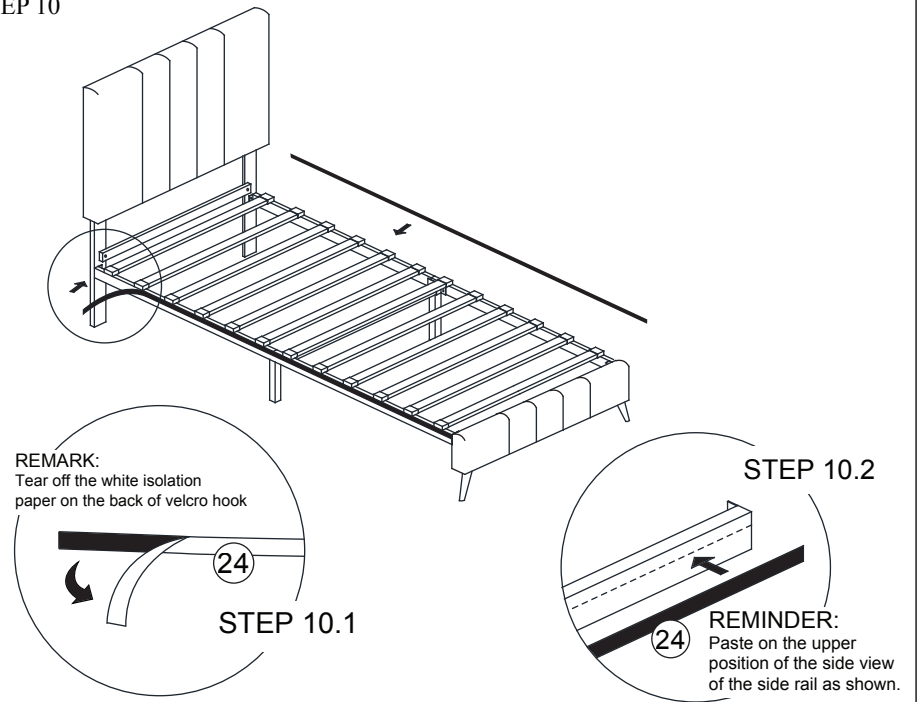


# ASSEMBLY INSTRUCTION

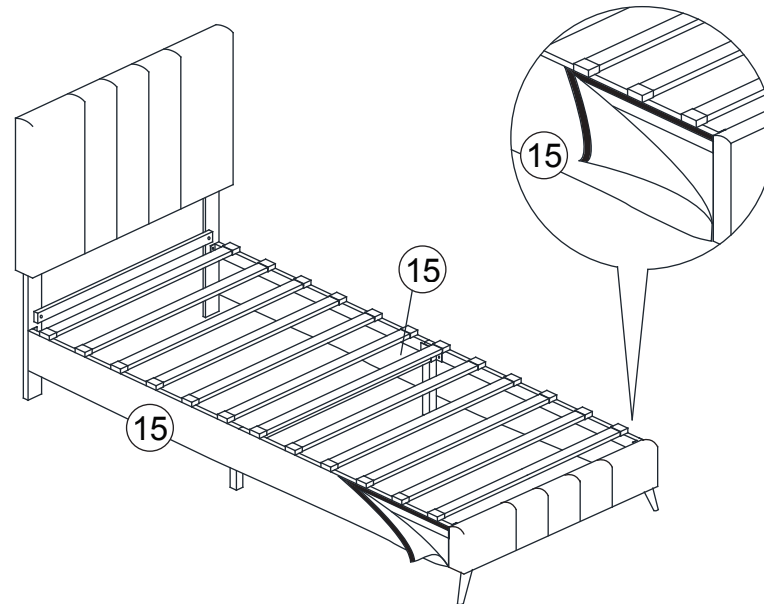
STEP 9



STEP 10



STEP 11



ASSEMBLY  
COMPLETED