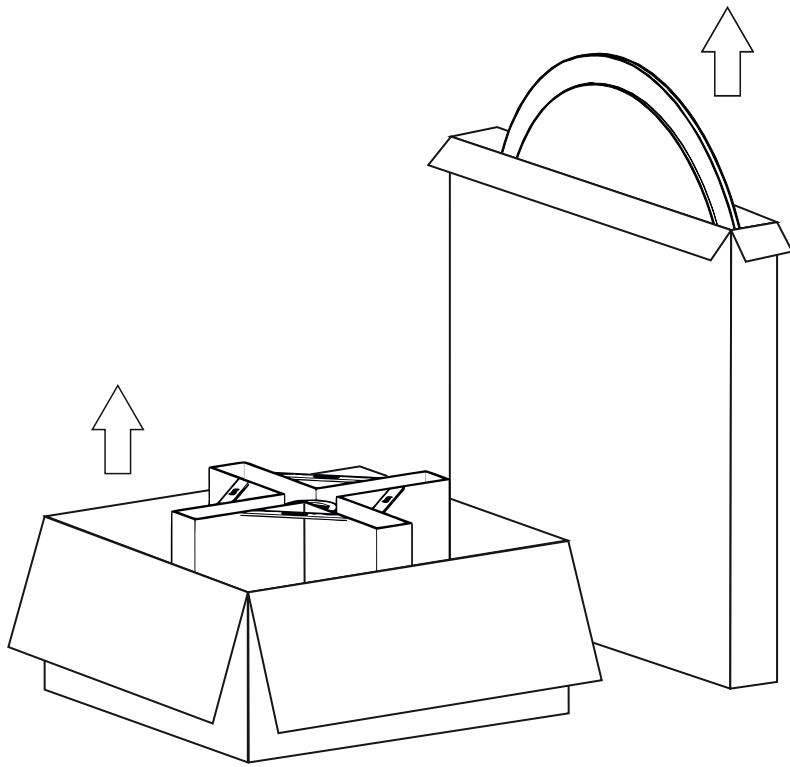


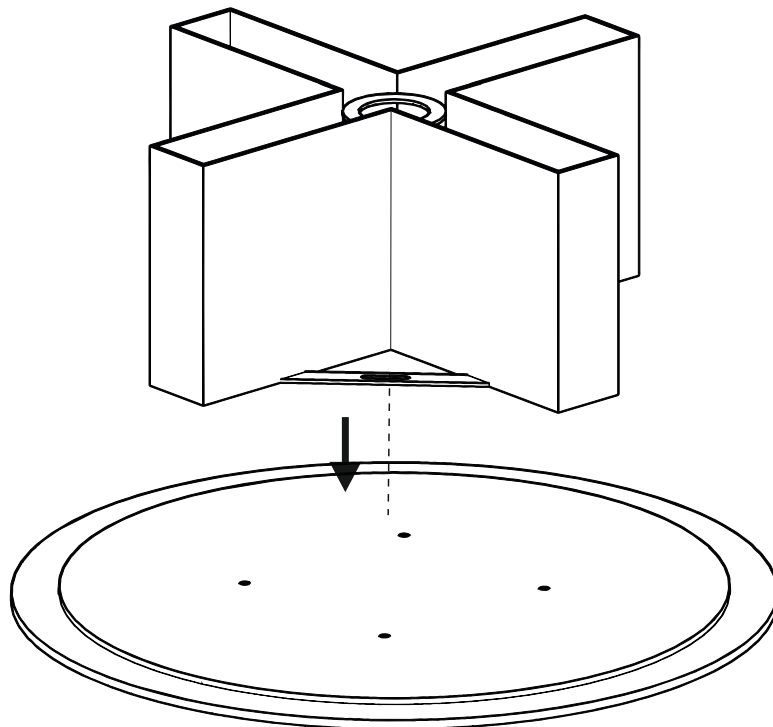
1



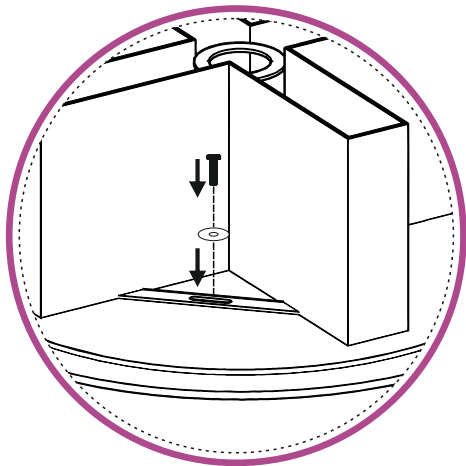
ROUND COFFEE TABLE

|  |                      |
|--|----------------------|
|  | <b>X1</b><br>TOP     |
|  | <b>X1</b><br>BASE    |
|  | <b>X5</b><br>SCREW   |
|  | <b>X5</b><br>WASHERS |
|  | <b>X1</b><br>HEX KEY |

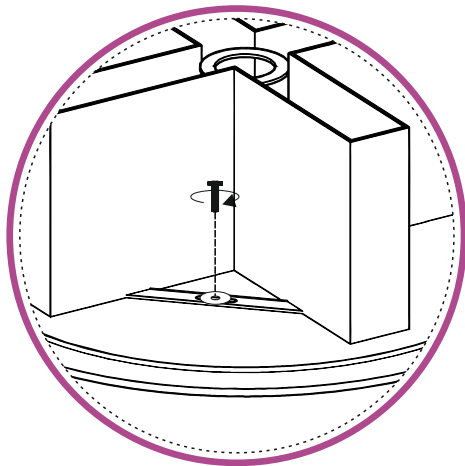
2



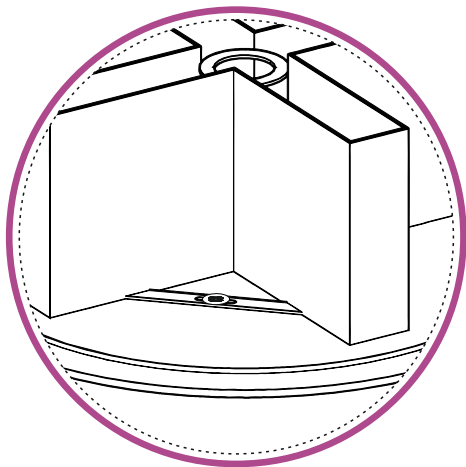
3



4



5



6

