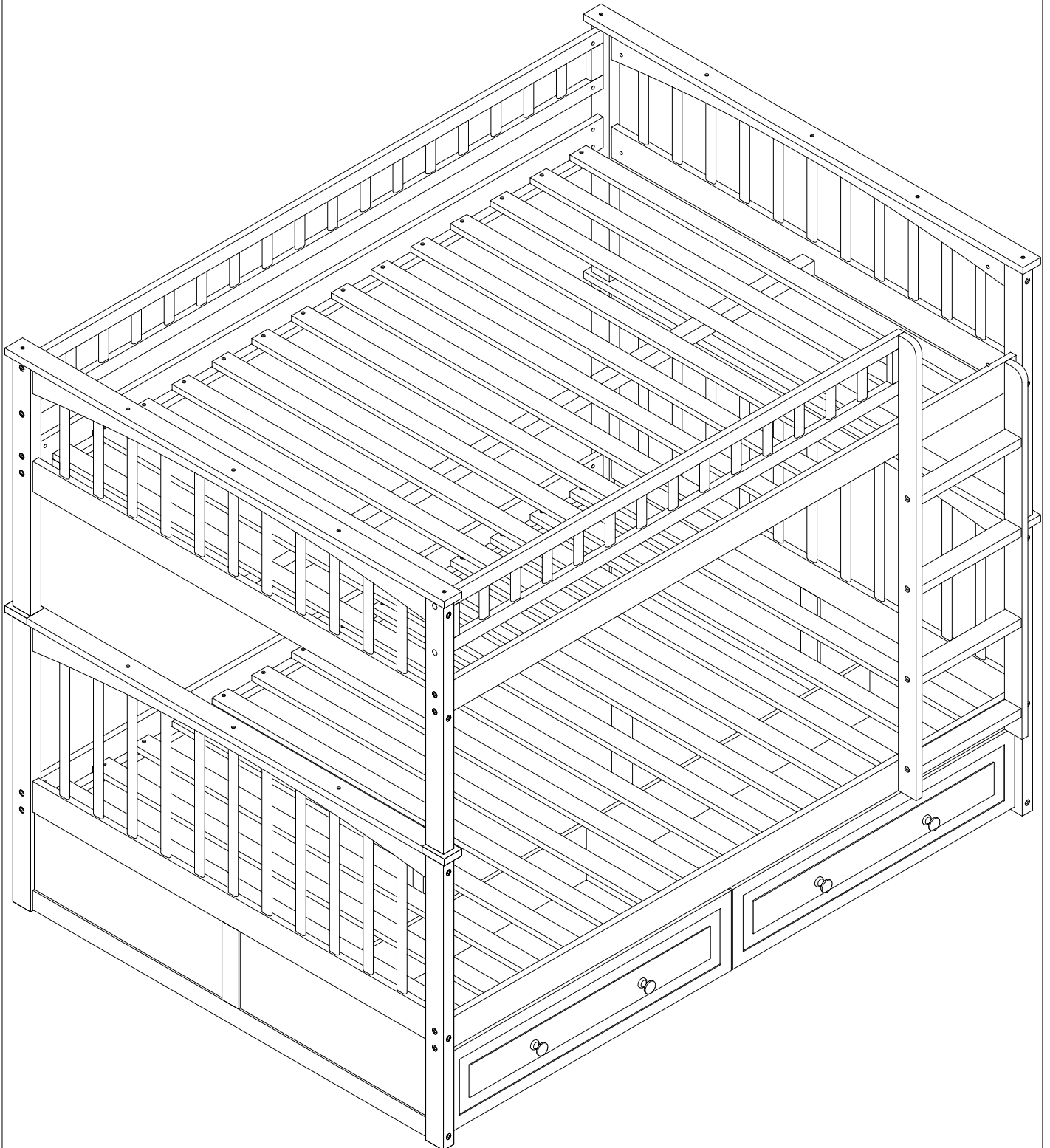


ASSEMBLY INSTRUCTION

This set is included 2 boxes if don't receive full 2 boxes please contact our customer service team



! SAFETY WARNINGS !

1. This bed is designed for use only mattress (es) meeting the following specifications on the upper bunk, and lower bunk

Upper bed

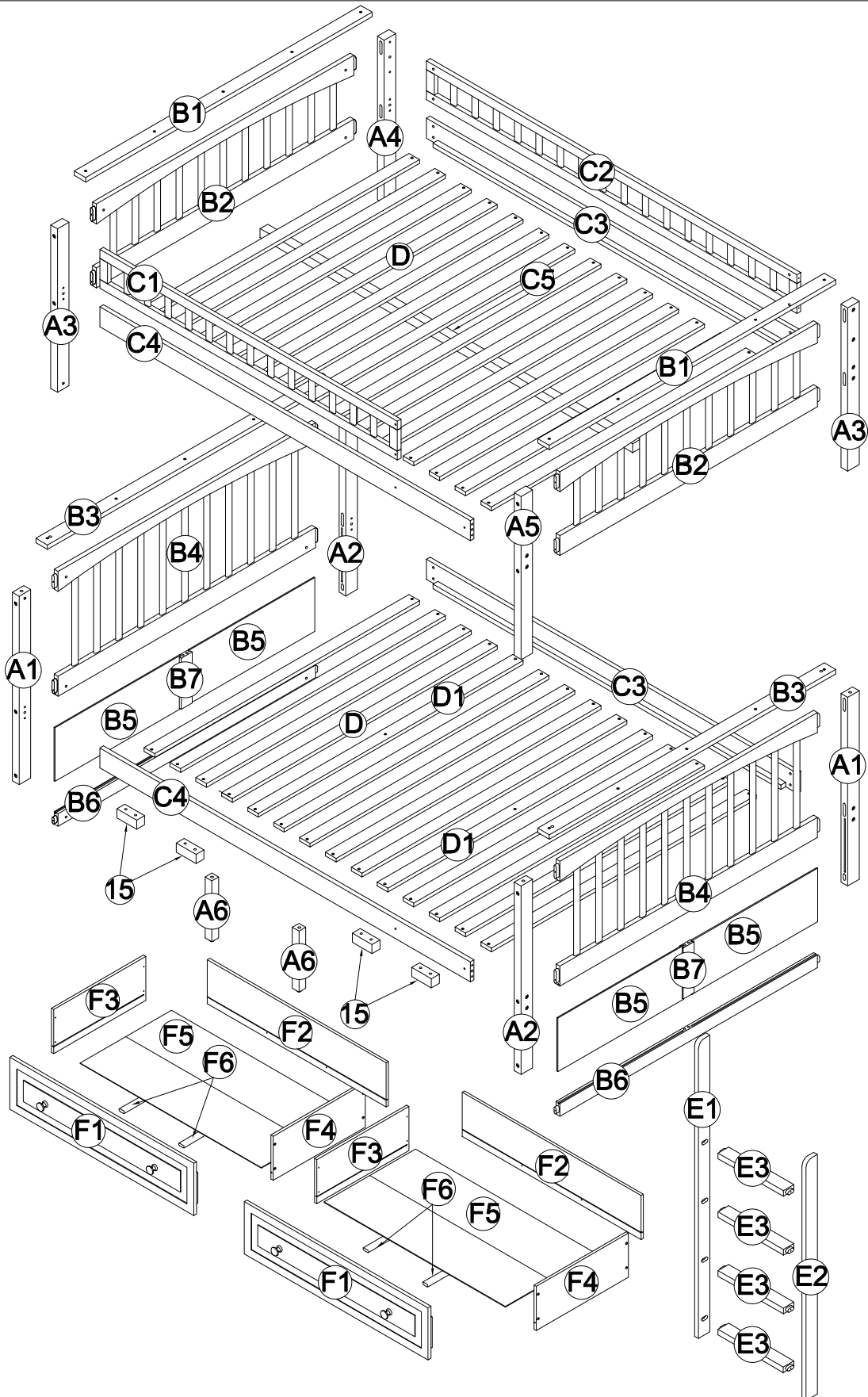
Bed Type	Length	Width	Thickness
<i>Full Standard</i>	<i>74" - 75"</i>	<i>53 1/2"</i>	<i>6" max</i>

Lower bed






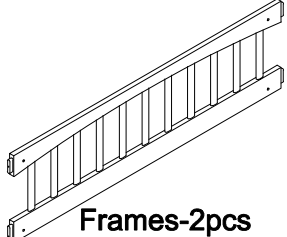
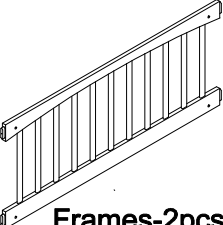
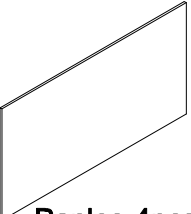
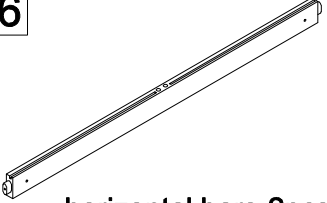
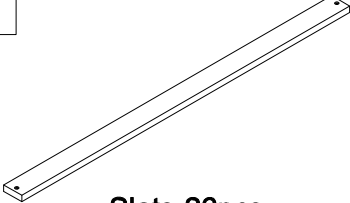
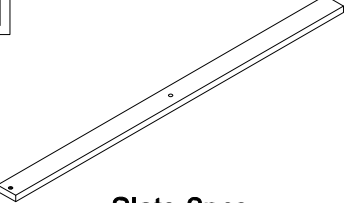
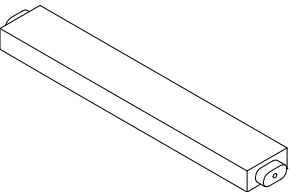

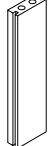


Bed Type	Length	Width	Thickness
<i>Full Standard</i>	<i>74" - 75"</i>	<i>53 1/2"</i>	<i>8" ma</i>

2. Replacement parts, including additional guardrails, maybe obtained from any of our dealers
3. Follow the information on the warnings appearing on the upper bunk bed end structure and on the carton. Do not remove warning label from bed
4. Always use the recommended size mattresses or mattress supports, or both, to help prevent the likelihood of entrapment or falls.
5. Surface of mattress must be at least 5" (127mm) below the upper edge of guardrails
6. Do not allow children under 6 years of age to use the upper bunk.
7. Periodically check and ensure that the guardrail, ladder, and other components are in their proper position, free from damage, and that all connectors are tight.
8. Do not allow horseplay on or under the bed and prohibit jumping on the bed.
9. Always use the ladder for entering and leaving the upper bunkAlways use the ladder for entering and leaving the upper bunk.
10. Do not use substitute part. Contact the manufacture or dealer for replacement part
11. Use of a night light may provide added safety precaution for a child using the upper bunk..
12. Always use guardrails on both long sides of the upper bunk. If the bunk bed will be placed next to the wall, the guardrail that runs the full length of the bed should be placed against the wall to prevent entrapment between the bed and wall.
13. The use of water or sleep flotation mattresses is prohibited
14. **STRANGULATION HAZARD** - Never attach or hang items to any part of the bunk bed that are not designed for use with the bed; for example, but not limited to, hook, belts and jump ropes
15. Keep these instruction for future reference
16. Prohibit more than one person on upper bunk
17. We recommend assembling your bunk bed on the shipping carton to protect your floor or carpet
18. Be certain all staples are out of the box before beginning assembly on the shipping carton.

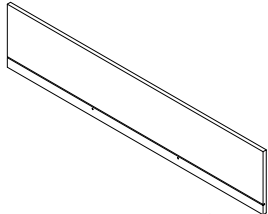
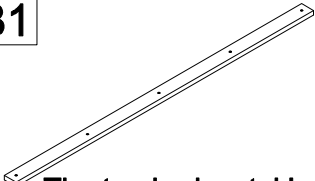
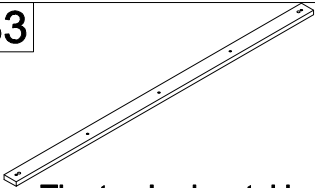
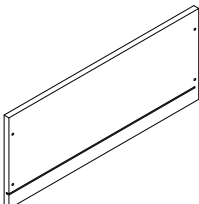
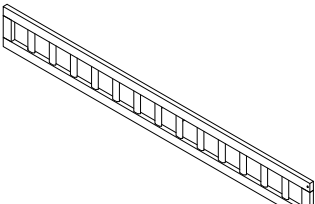
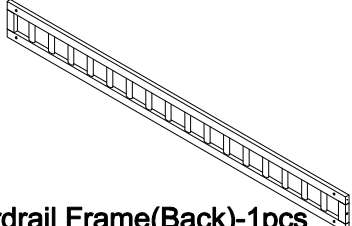
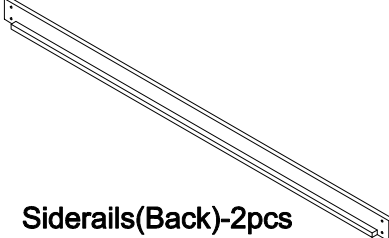
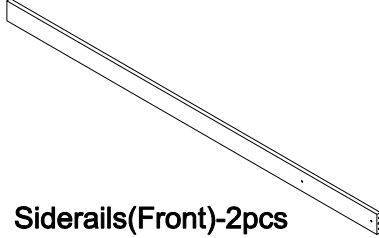
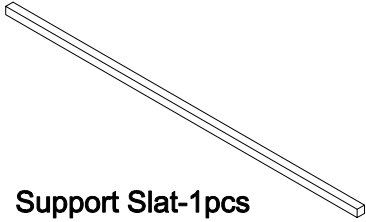
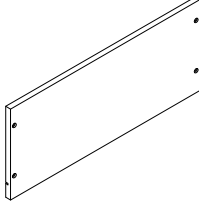
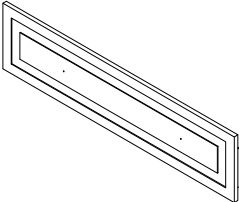
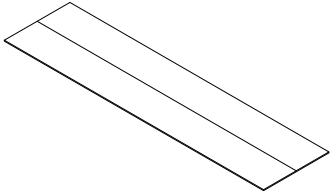
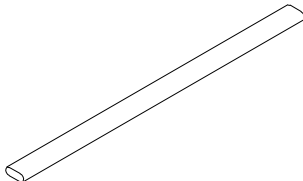
ASSEMBLY INSTRUCTION



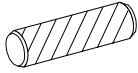
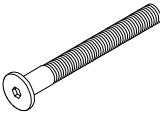
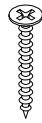
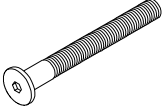

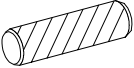
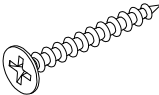
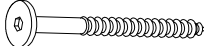
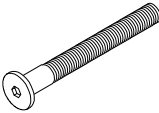
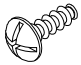
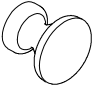
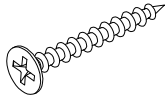
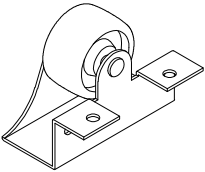

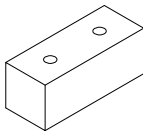
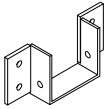
Part List & Hardware List

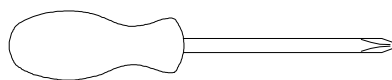
<p>A1</p>  <p>Legs(Bottom)-2pcs</p>	<p>A2</p>  <p>Legs(Bottom)-2pcs</p>	<p>A3</p>  <p>Legs(Upper)-2pcs</p>
<p>A4</p>  <p>Leg(Upper)-1pcs</p>	<p>A5</p>  <p>Leg(Upper)-1pcs</p>	<p>B2</p>  <p>Frames-2pcs</p>
<p>B4</p>  <p>Frames-2pcs</p>	<p>B5</p>  <p>Panles-4pcs</p>	<p>B6</p>  <p>horizontal bars-2pcs</p>
<p>D</p>  <p>Slats-26pcs</p>	<p>D1</p>  <p>Slats-2pcs</p>	<p>E3</p>  <p>Step Ladders-4pcs</p>
<p>A6</p>  <p>Legs(Center)-2pcs</p>	<p>B7</p>  <p>Vetical bars-2pcs</p>	<p>E1</p>  <p>Side Ladder-1pcs</p>
<p>E2</p>  <p>Side Ladder-1pcs</p>		

Part List

<p>F2</p>  <p>Drawer-Back panels-2pcs</p>	<p>B1</p>  <p>The top horizontal bar of the upper bed-2pcs</p>	<p>B3</p>  <p>The top horizontal bar of the lower bed-2pcs</p>
<p>F3</p>  <p>Drawer-Side panels(Left)-2pcs</p>	<p>C1</p>  <p>Guardrail Frame(Front)-1pcs</p>	<p>C2</p>  <p>Guardrail Frame(Back)-1pcs</p>
<p>C3</p>  <p>Siderails(Back)-2pcs</p>	<p>C4</p>  <p>Siderails(Front)-2pcs</p>	<p>C5</p>  <p>Support Slat-1pcs</p>
<p>F4</p>  <p>Drawer-Side panels(Right)-2pcs</p>	<p>F1</p>  <p>Drawer-Front panels-2pcs</p>	<p>F5</p>  <p>Drawer-Bottom panels-2pcs</p>
<p>F6</p>  <p>Drawer-Support Bottom Bars-4pcs</p>		

Hardware List

<p>1</p>  <p>Ø10 x 40 mm Wood dowel 19pcs</p>	<p>2</p>  <p>Ø1/4" x 100 mm Hex-Head bolts 20pcs</p>	<p>3</p>  <p>M4 x 30 mm Wood Screws 104pcs</p>
<p>4</p>  <p>Ø1/4" x 80 mm Hex-Head bolts 22pcs</p>	<p>5</p>  <p>Ø1/4" x 13 mm Horizontal-Hole bolts 42pcs</p>	<p>6</p>  <p>Ø12 x 110 mm Wood dowel 4pcs</p>
<p>7</p>  <p>M4 x 20 mm Wood Screws 16pcs</p>	<p>8</p>  <p>Screws 1/4" x50 8pcs</p>	<p>9</p>  <p>Ø1/4" x 30 mm Hex-Head bolts 8pcs</p>
<p>10</p>  <p>Ø1/6" x 25 mm Hex-Head bolts 4pcs</p>	<p>11</p>  <p>Handle Wood 4pcs</p>	<p>12</p>  <p>M3.5x 12 mm Wood Screws 24pcs</p>
<p>13</p>  <p>Wheels 8pcs</p>	<p>14</p>  <p>Allen Key 1pc</p>	<p>15</p>  <p>Drawer Stopper 4pcs</p>
<p>16</p>  <p>Steel Bracket 2pc</p>		




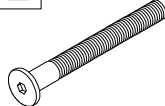


Assembly Tools Required (Not Included)

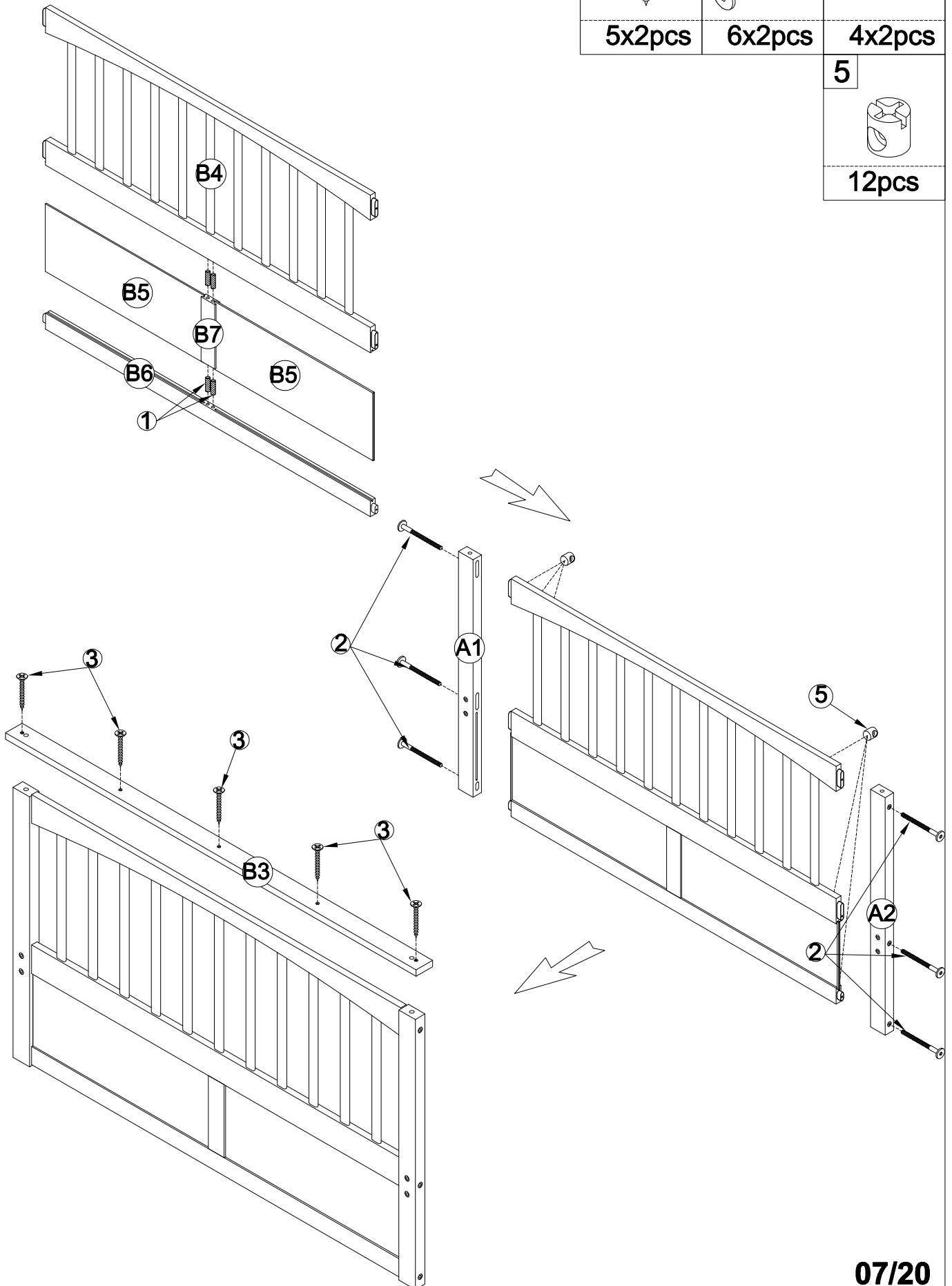
STEP 1:

Following below illustration Assembly Footboard and Headboard.

Using hardware #2,#3,#5 and dowel #1 to complete Footboard and Headboard.

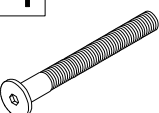
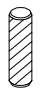
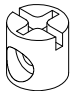
Look at detail view for more detail

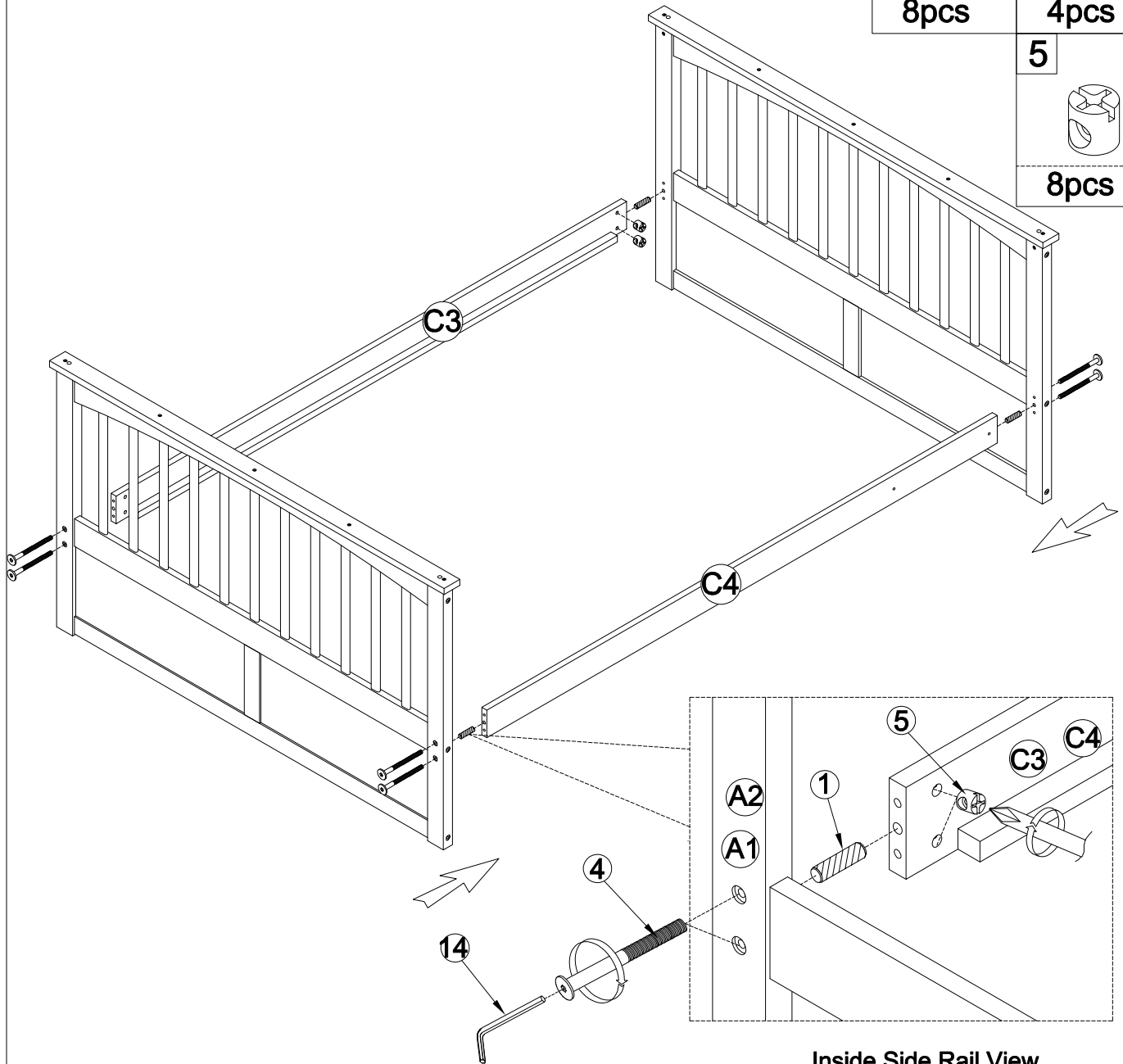
<p>3</p> 	<p>2</p> 	<p>1</p> 
<p>5x2pcs</p>	<p>6x2pcs</p>	<p>4x2pcs</p>
<p>5</p>  <p>12pcs</p>		



STEP 2:

Following below illustration Using hardward #4, #5 and dowel #1
 follow detail view to Assembly Bottom bed's Headboard and Footboard with siderail
 C3,C4.Look at detail view for more detail

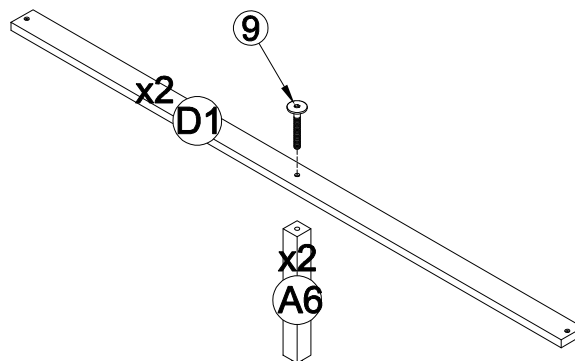
4	1
	
8pcs	4pcs
	5
	
	8pcs

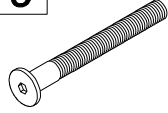


Inside Side Rail View

STEP 3-1:

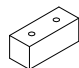

Following below illustration:
 - Connect 2 slats D1 with 2 Leg(center) A6 by using hardward #9.

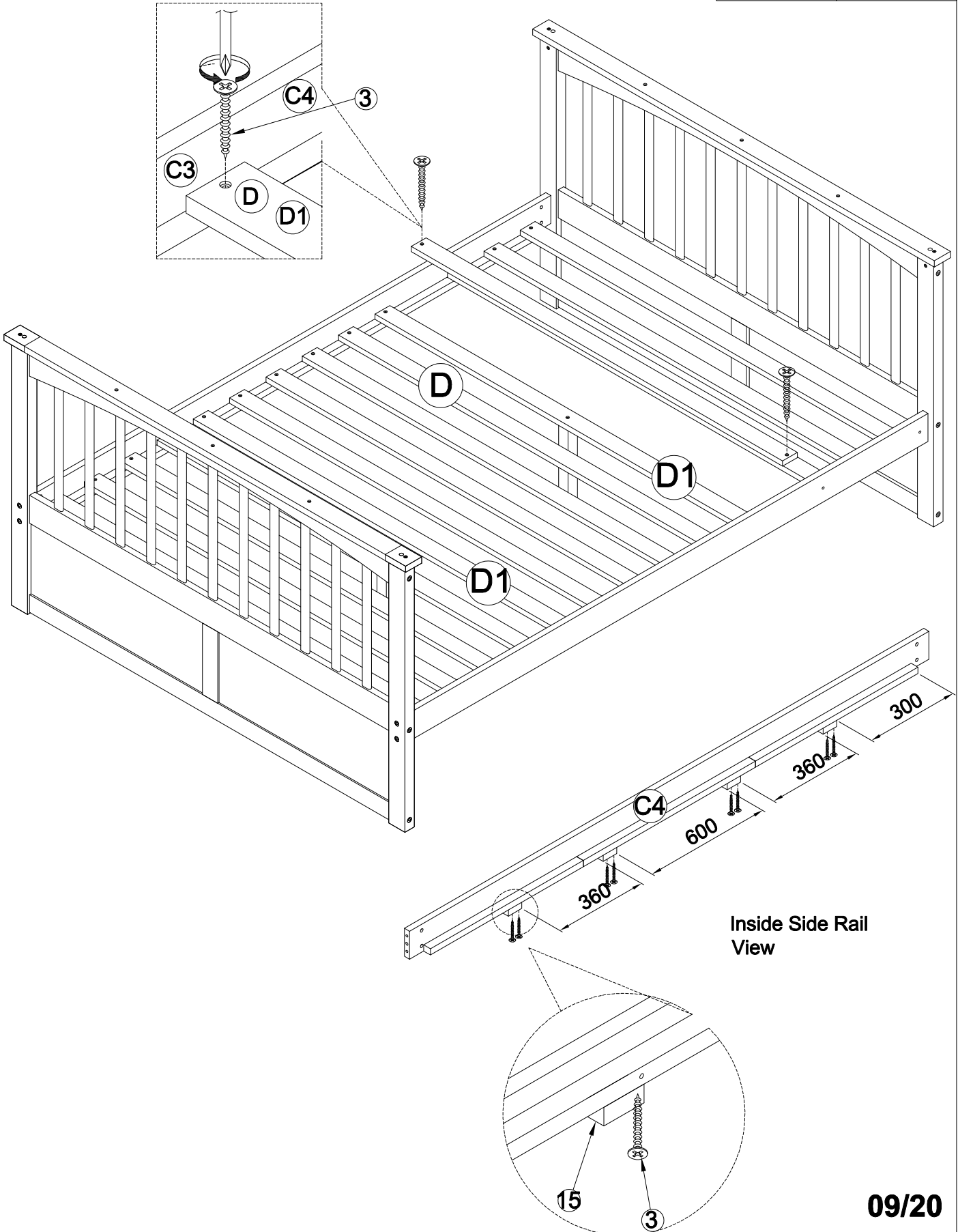


9

2pcs

STEP 3-2: Following below illustration:

- Screw 12 slats D and 2 slats D1 with Side Rail C3,C4 by using hardward #3.
- Using hardward #3 to screw wood block #15 underneath of front siderail
- Look at detail view for more detail

15	3
	
4(pcs)	36(pcs)

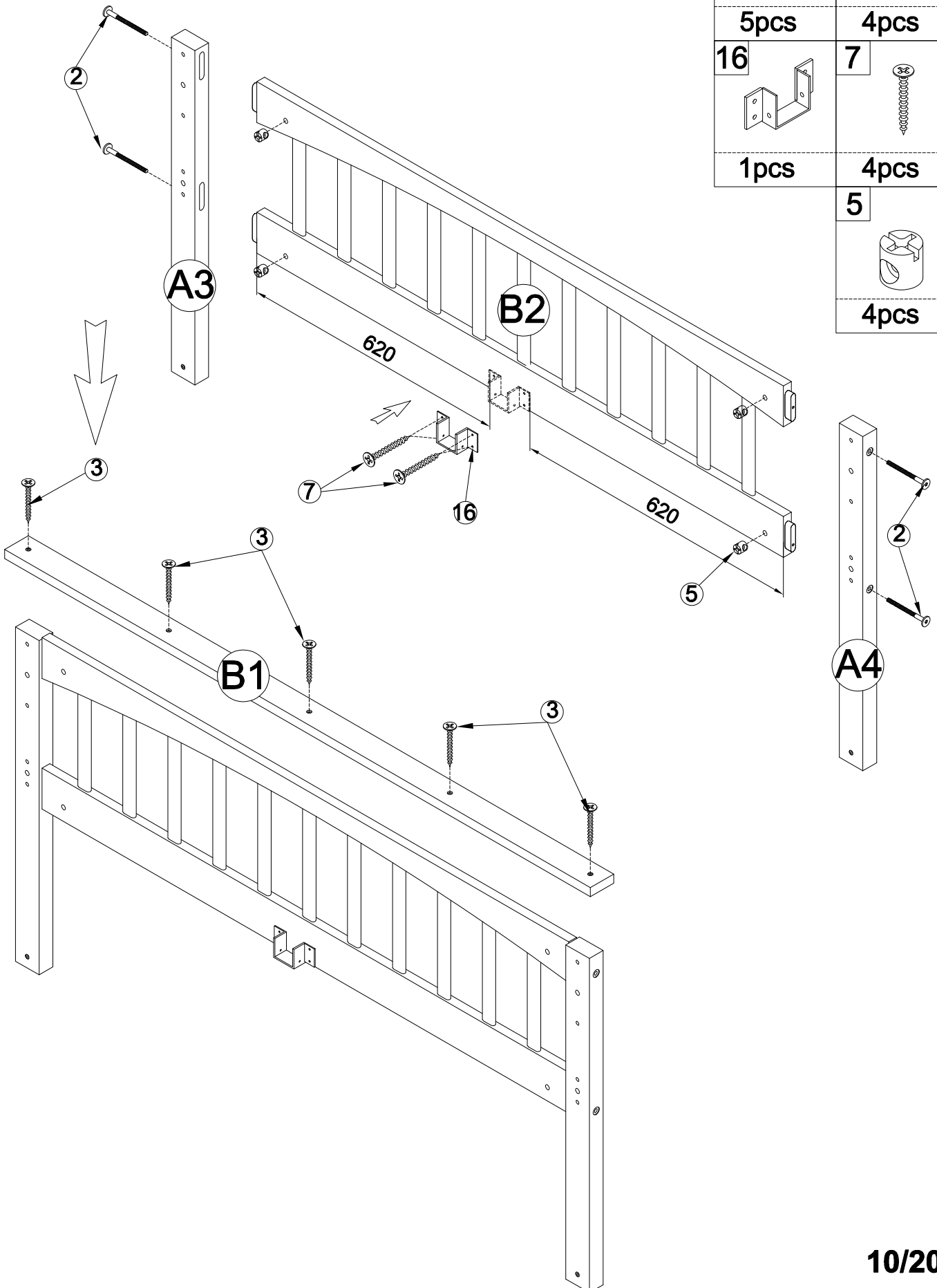


STEP 4: Following below illustration Assembly Upper bed's Headboard. Using hardware #2,#5 connect

A3 and A4 legs with B2 Frame. Using hardware #7 connect B2 Frame with Steel Brack #16

.Using hardware #3 connect B1 Woodbar with B2 Frame,A3,A4 legs to complete LEFT side of Upper Bed


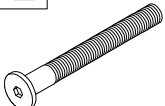
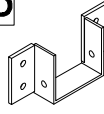


3	2
5pcs	4pcs
16	7
1pcs	4pcs
5	
4pcs	

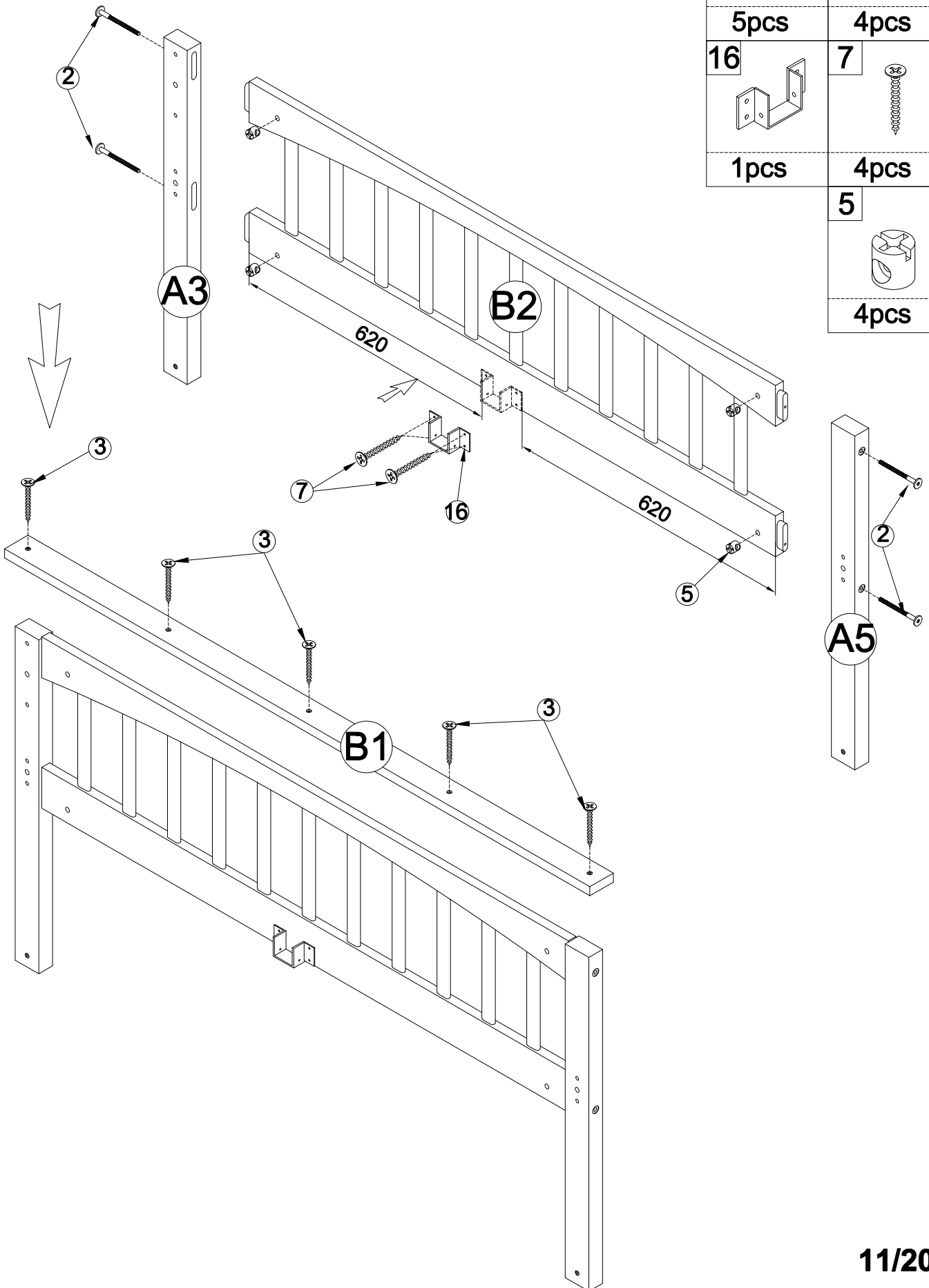


STEP 5: Following below illustration Assembly Upper bed's Footboard. Using hardware #2, #5 connect


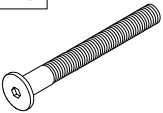

A3 and A5 legs with B2 Frame. Using hardware #7 connect B2 Frame with Steel Brack #16

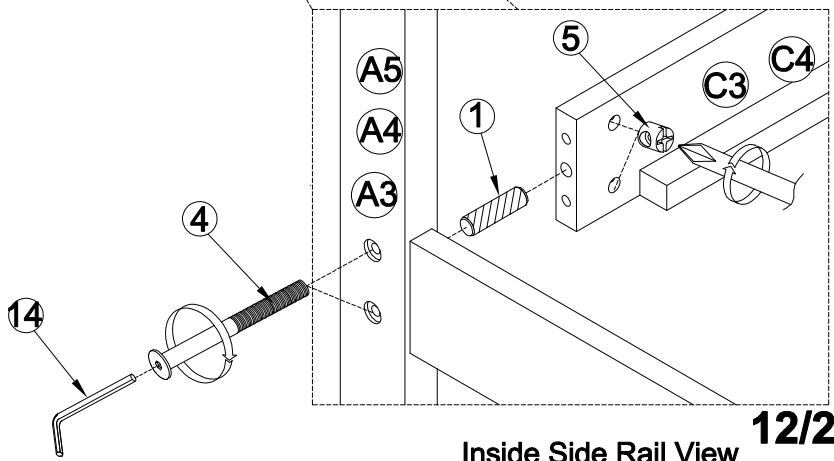
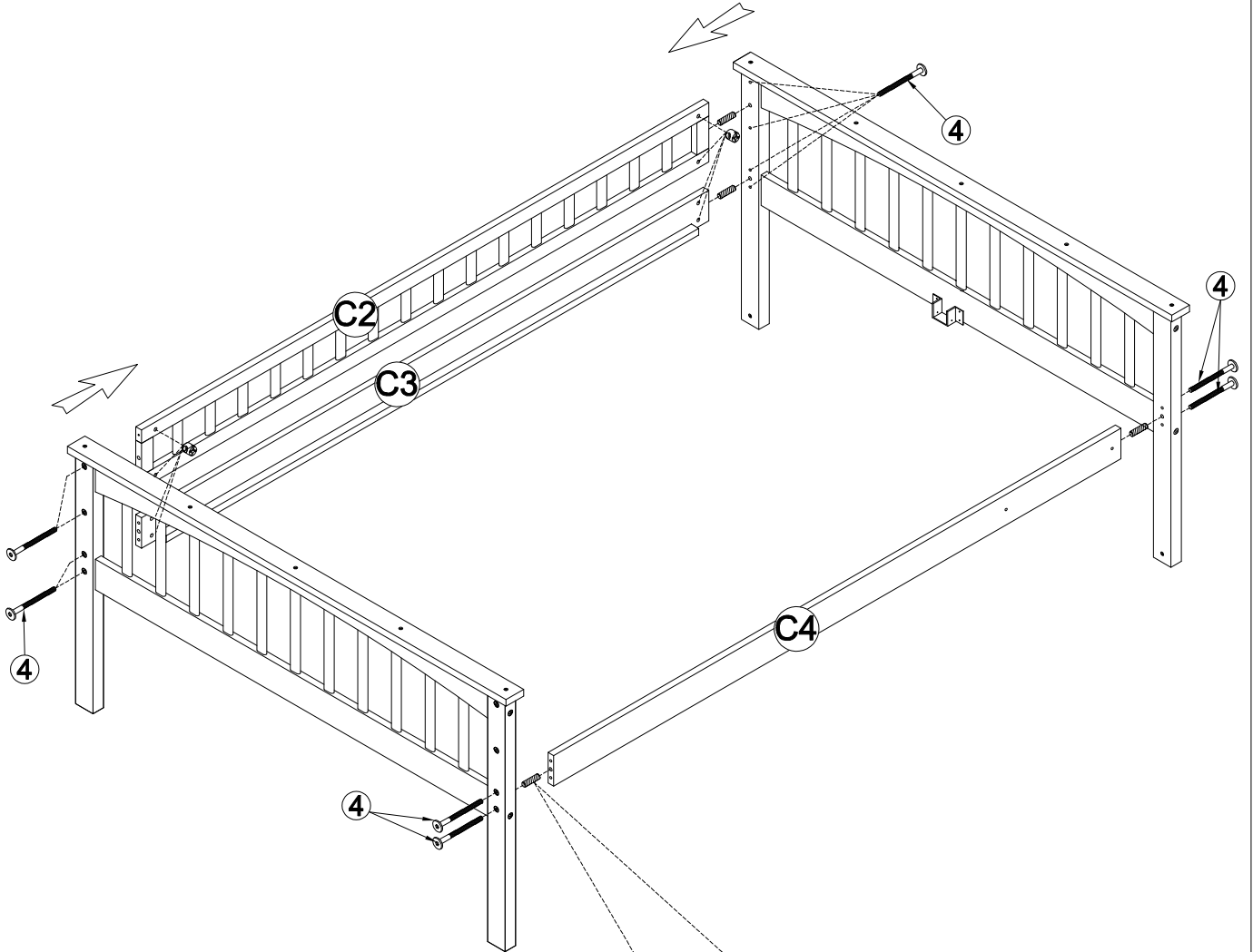
. Using hardware #3 connect B1 Woodbar with B2 Frame, A3, A5 legs to complete RIGHT side of Upper Bed

3 	2 
5pcs	4pcs
16 	7 
1pcs	4pcs
5 	
4pcs	



STEP 6: Following below illustration Using hardware #4,#5 and dowel #1 follow detail view to Assembly Upper bed's Headboard and Footboard with siderail C3,C4 and Guardrail Frame C2.Look at detail view for more detail

<p>5</p> 	<p>4</p> 	<p>1</p> 
<p>12pcs</p>	<p>12pcs</p>	<p>6pcs</p>

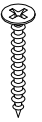


STEP 7:

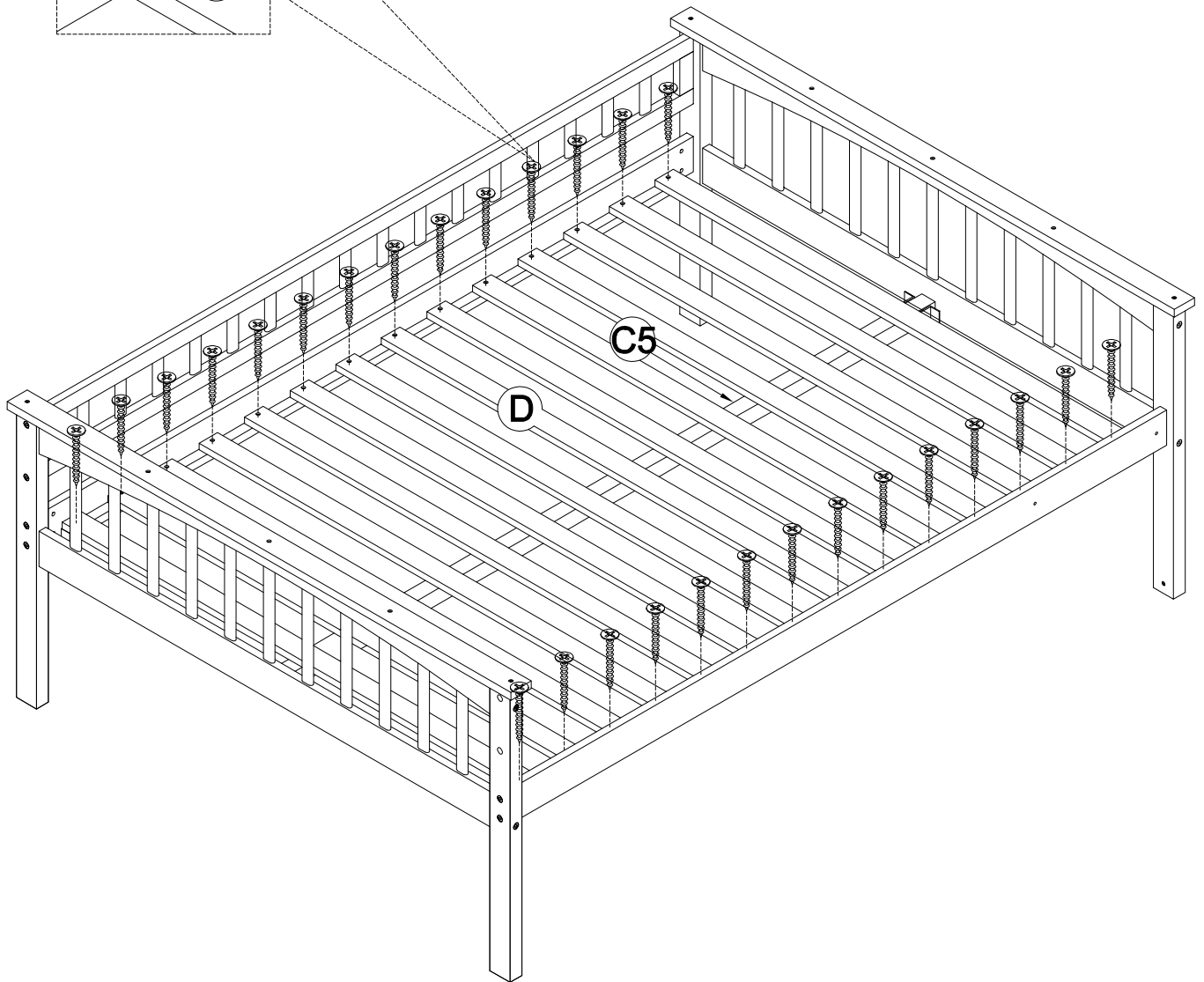
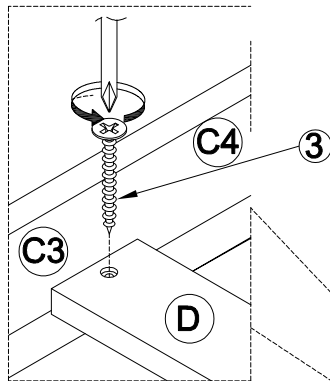
Following below illustration:

- Put Support Slat (C5) into it position
- Screw 14 slats D with Side Rail C3,C4 by using hardward #3.
- Look at detail view for more detail

3

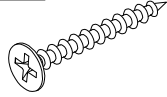


28(pcs)

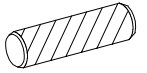


STEP 8: Following below illustration. Lay the Upper Bed (Completed on step 7) on Bottom Bed (Completed from step 3). Using the Dowel #6 to connect head of Bottom Bed legs with end of Upper Bed legs. Then use Screw #7 to permanent fix Upper and Bottom Bed

7

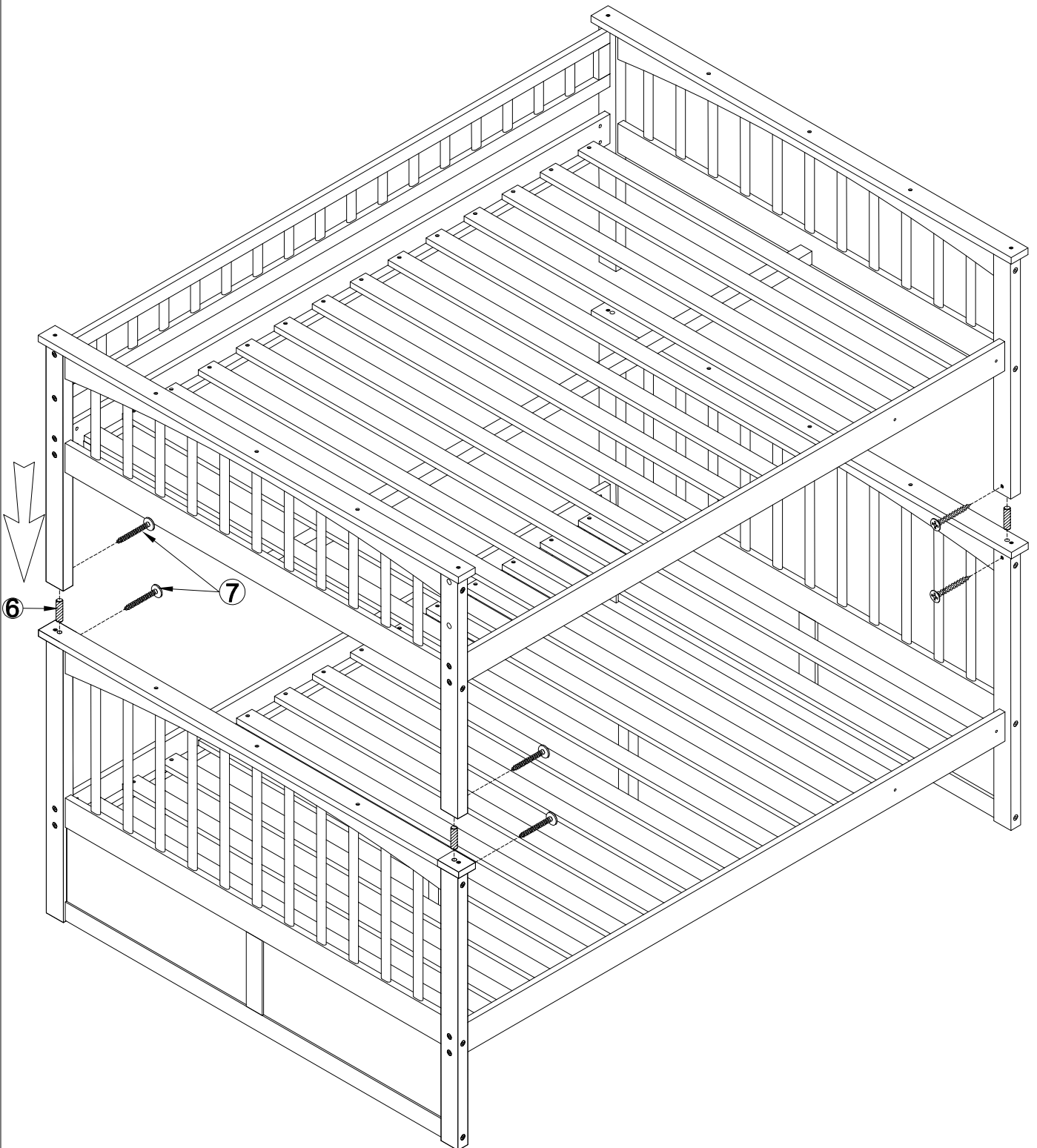


6



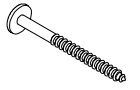
8(pcs)

4(pcs)

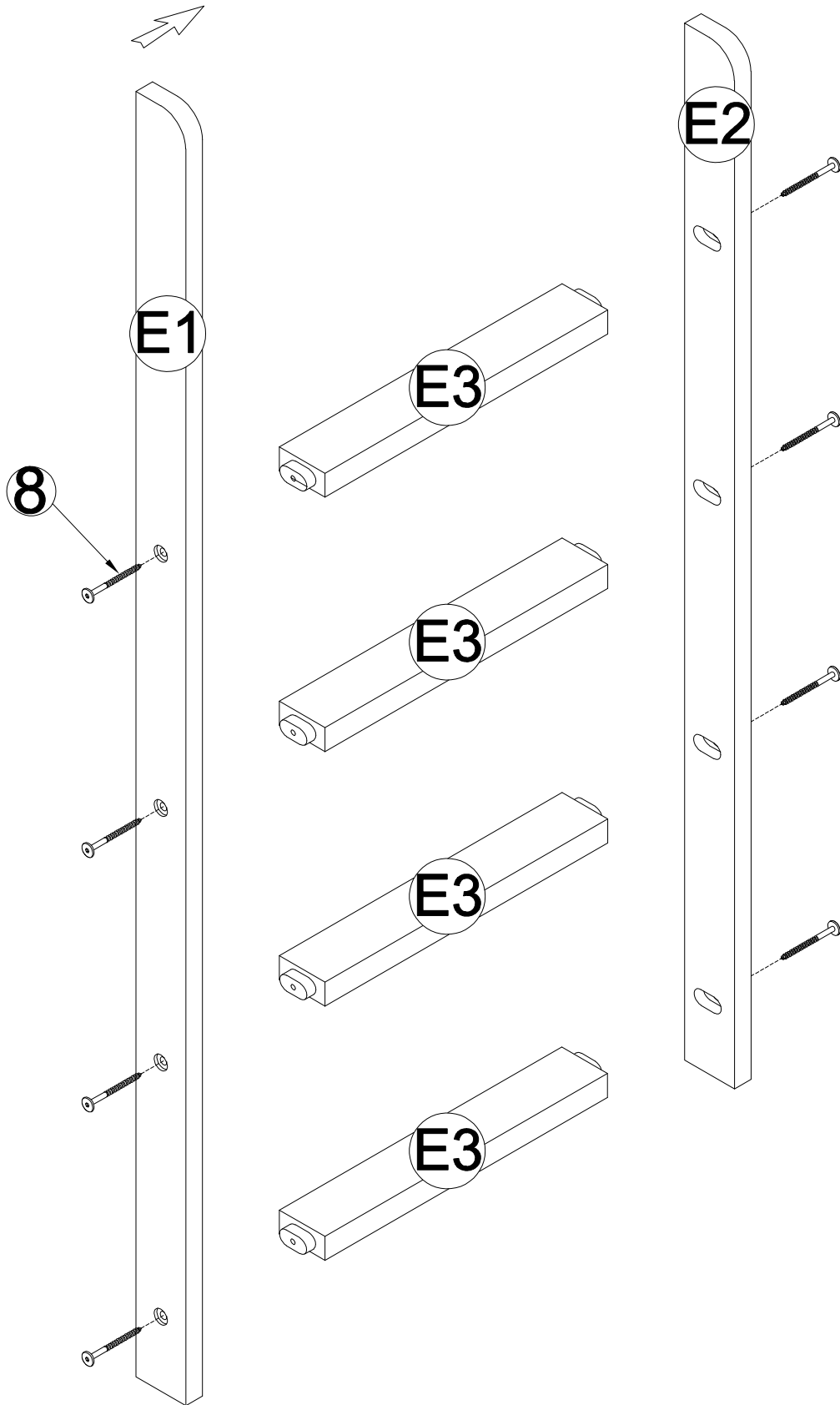


STEP 9: ASEMBLY LADDER

8



8pcs



STEP 10-1: Following below illustration Using hardware #4,#5 and dowel #1 follow detail view to Assembly Frame(Completed on step 8) with Guardrail Frame C1.Look at detail view for more detail

1



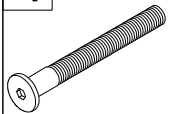
1pcs

5

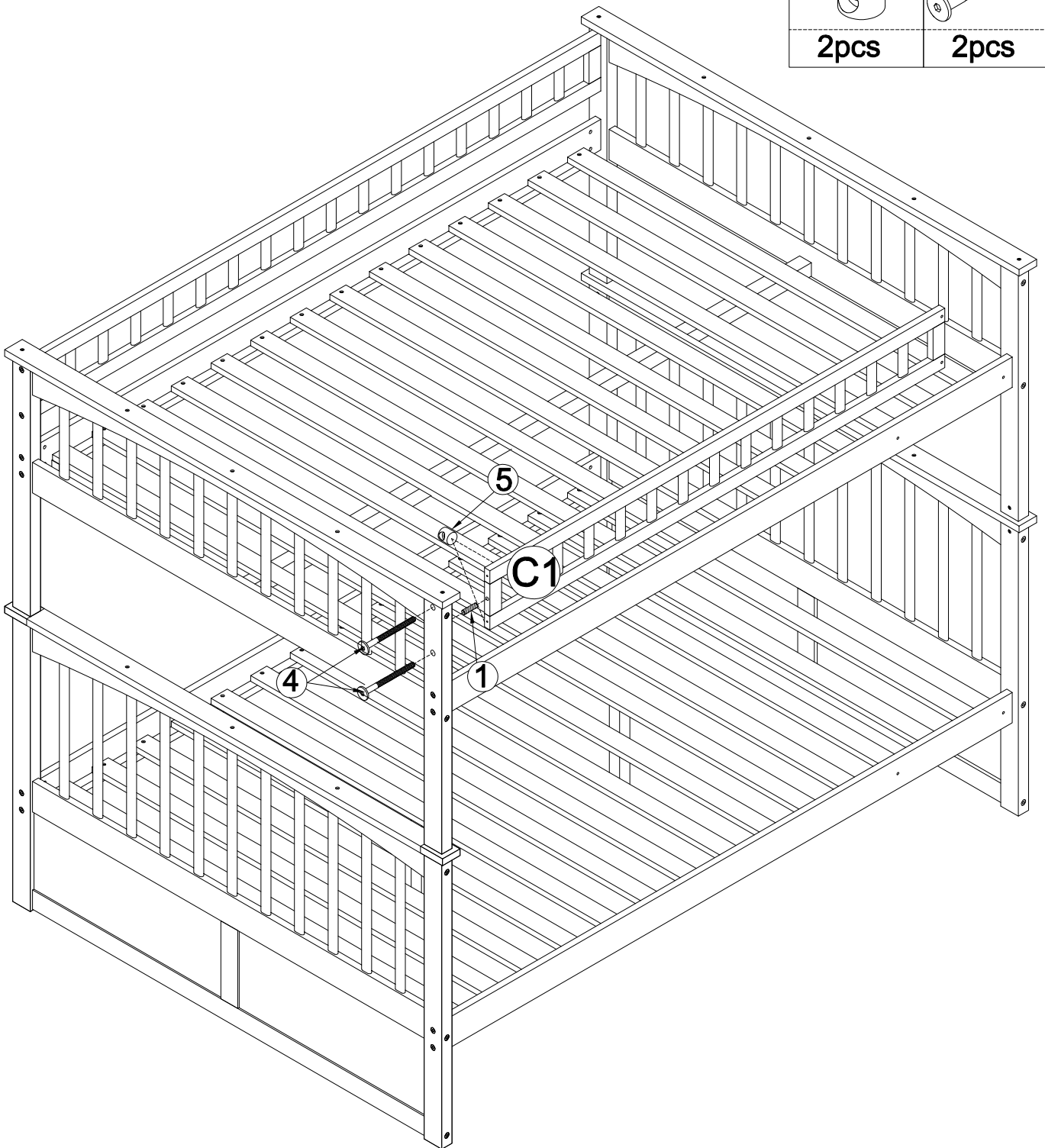


2pcs

4

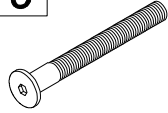


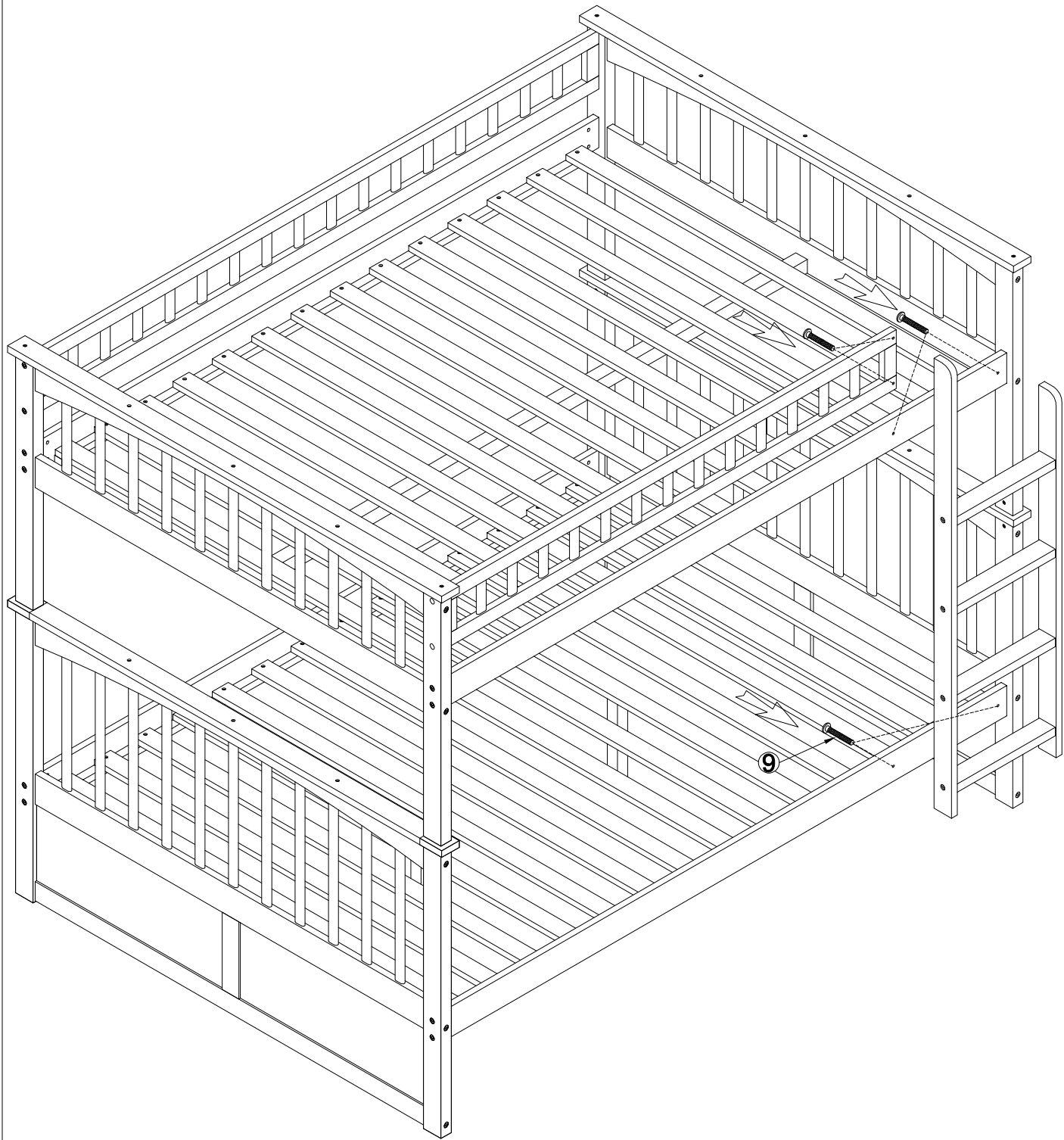
2pcs



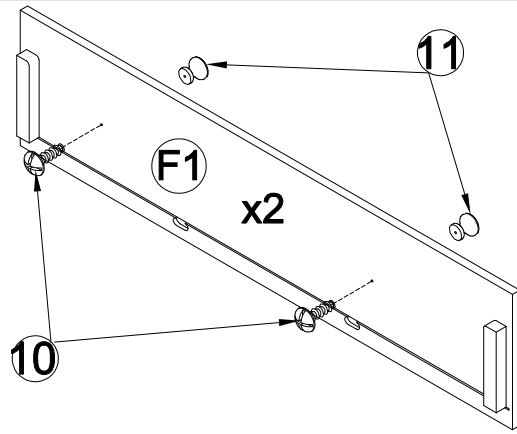
STEP 10-2: Following below illustration.



Using hardware #9 connect Frame(Completed on step 10-1) with Ladder (Completed on step 9).
Look at detail view for more detail

9	
6pcs	

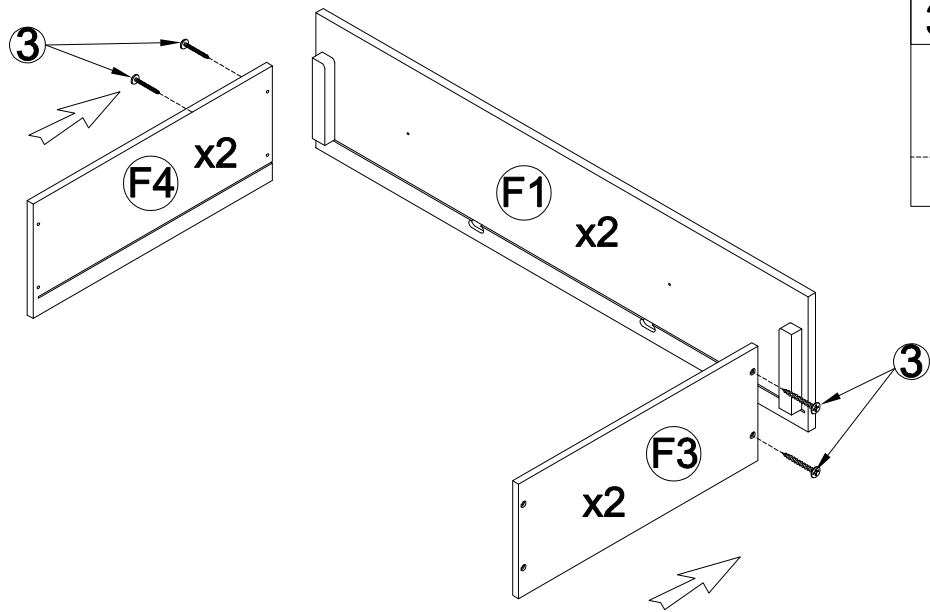



STEP 11-1:



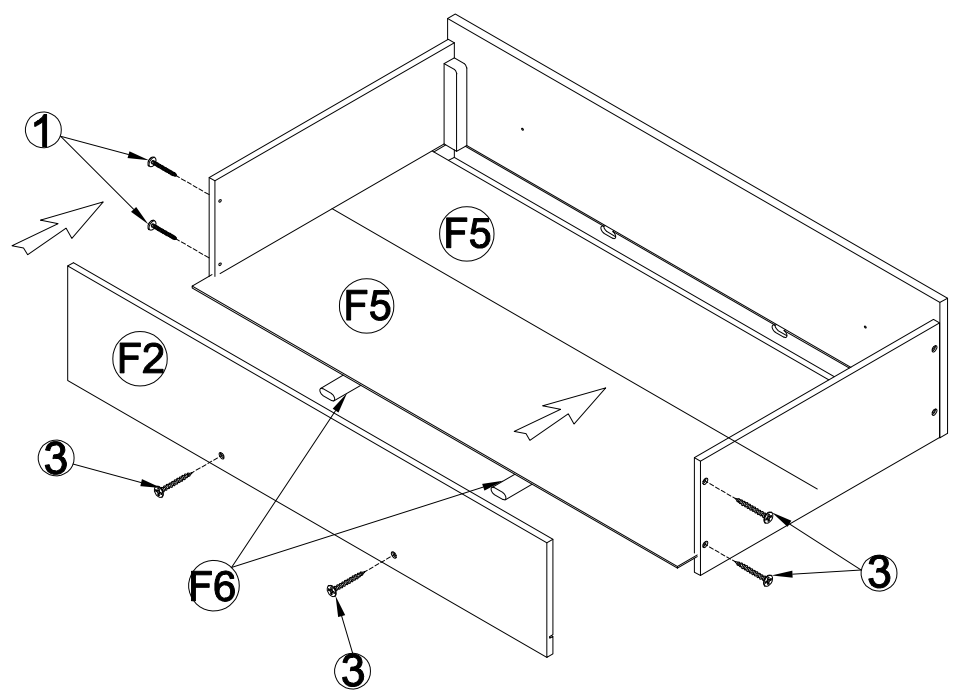
11	10
	
2x2(pcs)	2x2(pcs)

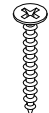
STEP 11-2:



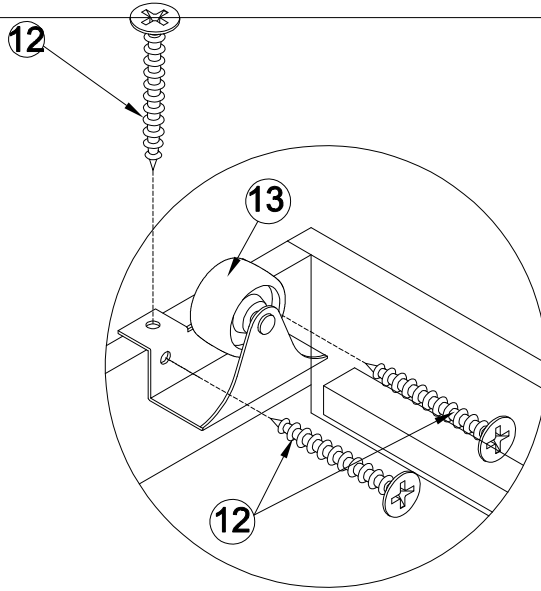
3	
4x2(pcs)	



STEP 11-3:

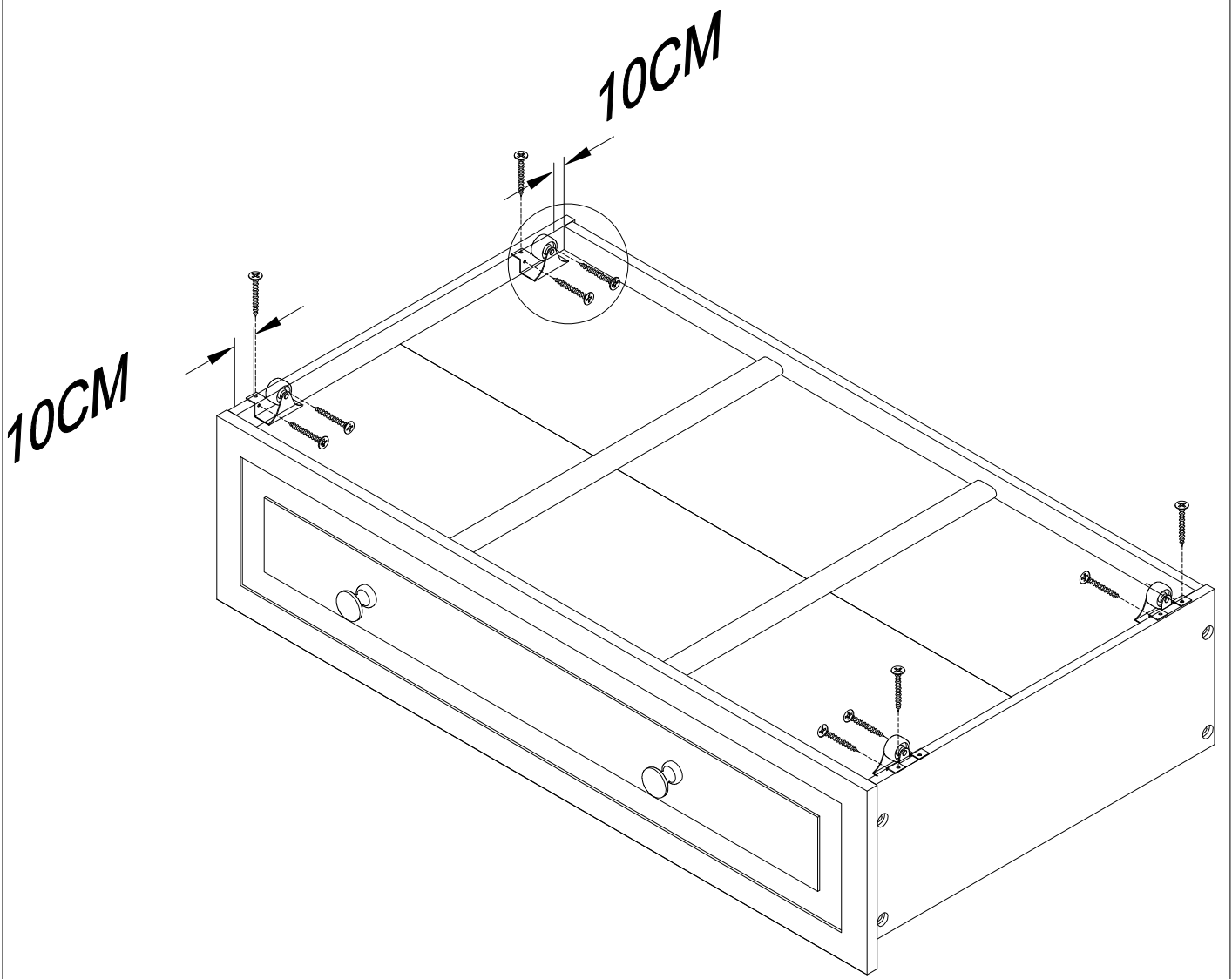


3	
6x2(pcs)	

STEP 11-4



13 	12 
4x2(pcs)	12x2(pcs)



STEP 12: CONGRARULATION. YOU HAVE COMPLETED THE BED.

just one more step to push 2 Drawer into it position

