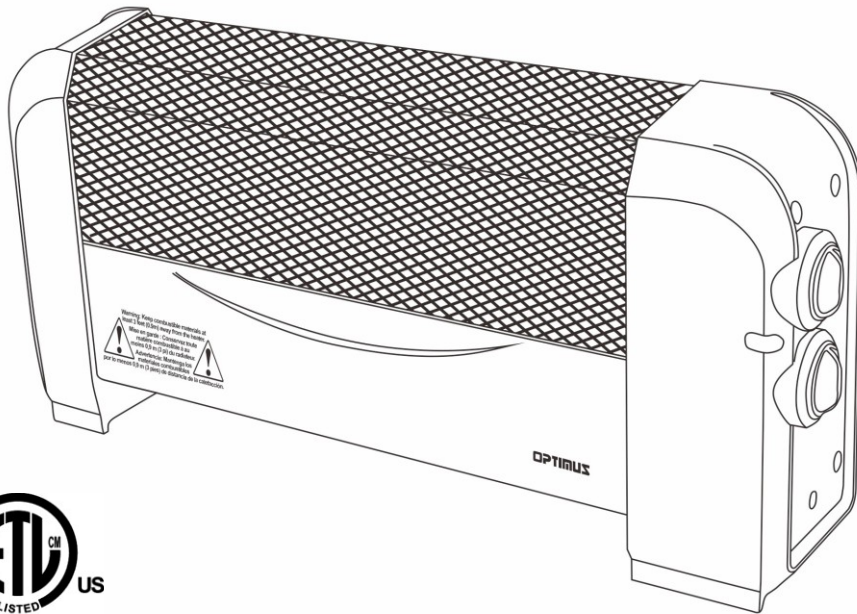


OPTIMUS

INSTRUCTION MANUAL AND OWNER'S GUIDE

25" Baseboard Convection Heater

H-3608-F



INFORMATION HOTLINE: If, after reading this owner's guide, you have any question or comments, please feel free to write us or call us at 1-888-672-5832 or e-mail us at Service@optimusent.com. Our customer service representative will be happy to help you.

PLEASE READ AND SAVE THESE INSTRUCTIONS.

IMPORTANT INSTRUCTIONS:

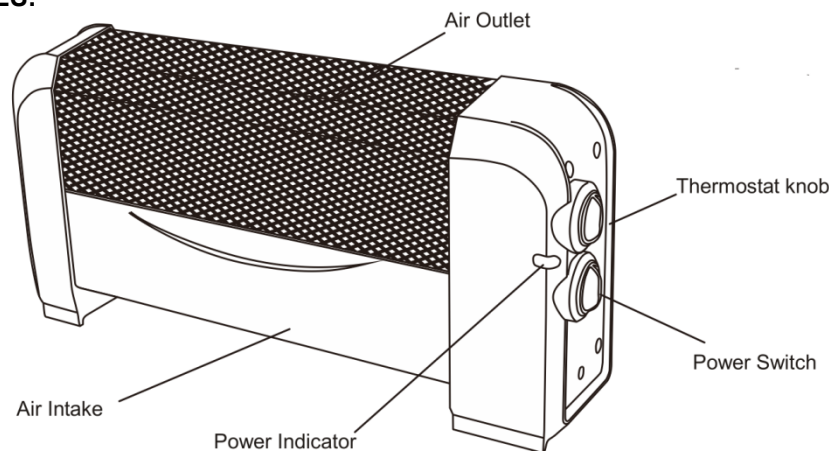
PLEASE READ AND SAVE THESE IMPORTANT SAFEGUARDS

Thank you for choosing an Optimus heater. To ensure the best performance from your heater, please read and save the following instructions.

WHEN USING ELECTRICAL APPLIANCES, BASIC PRECAUTIONS SHOULD ALWAYS BE FOLLOWED TO REDUCE THE RISK OF FIRE, ELECTRIC SHOCK AND INJURY TO PERSON, INCLUDING THE FOLLOWING:

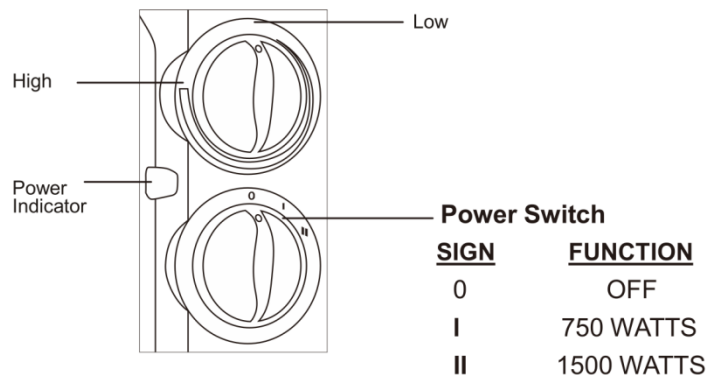
- Read all instructions carefully before using the heater.
- This heater is hot while in operation. To avoid injury, never touch a hot surface. If provided, always use handles to move this heater. Keep all combustible materials, such as furniture, pillows, bedding, papers, clothes and curtains, clear of the heater by at least 3 feet (0.9 m).
- Extreme caution is necessary when any heater is used by or near children and whenever the heater is left operating and unattended.
- Always unplug the heater while not in use.
- Do not operate the heater with a damaged cord or plug. If the heater malfunctions, or even has been dropped or damaged in any manner, return the heater to a service facility for examination, electrical or mechanical adjustment, or repair.
- Do not use the heater outdoors.
- This heater is **NOT** intended for use in bathrooms, laundry areas and similar moist indoor locations. Never place heater where it may fall into a bathtub or any other water container.
- Do not run cord under carpeting. Do not cover cord with throws, rugs, runners or the like. Keep cord away from traffic areas where it can be tripped over.
- **CAUTION:** This appliance has a polarized plug (one blade is wider than the other). To minimize the risk of shock, this plug is intended to fit only one way in a polarized outlet. If the plug does not fit fully in the outlet, reverse the plug. If it still does not fit, contact a qualified electrician. **DO NOT** attempt to defeat this safety feature, because it could lead to an electric shock hazard.
- This heater consumes 12.5 amps during operation. To prevent overloading a circuit, do not plug the heater into a circuit that already has other appliances working.
- **CAUTION:** It is normal for the plug to feel warm to the touch, however a loose fit between the AC outlet (receptacle) and plug may cause overheating and distortion of the plug. Contact a qualified electrician to replace a loose or worn outlet.
- To disconnect the heater, first switch the controls to the "0" off position, then remove the plug from the outlet. Never pull by the cord.
- Do not insert or allow foreign objects into the outlet grill as this may cause an electric shock or fire, or it could damage the heater.
- Proper ventilation air must be provided to prevent combustion. Do not use on soft surfaces, like a bed, where the outlet grill may become blocked.
- A heater has hot elements inside. Do not use it in the areas where gasoline, paint, or flammable liquids are used or stored.
- Use this heater only as described in this manual. Any other uses not recommended by the manufacturer may cause fire, electric shock, or personal injury.
- **CAUTION:** Using an extension cord may overheat and cause a risk of fire. However, if you have to use an extension cord, the cord shall be No.14 AWG minimum size and rated not less than 1875 watts.
- The output of this heater can be intense enough to burn exposed skin. Use of this heater is not recommended for persons with reduced sensitivity to heat.

OPERATING INSTRUCTIONS: FEATURES:



OPERATING INSTRUCTIONS:

- This product is rated 12.5 amps (1500 W) at 120 V, 60 Hz.
- Plug the power cord **DIRECTLY** into a wall outlet (110-120VAC, 60Hz).
- Your heater is equipped with a 3-position power switch:



- Set the power switch to maximum (II) for fast warm-up of a room. Once the room temperature is comfortable, select a lower setting to save electrical consumption and to prevent the room from becoming too warm.
- Adjust the thermostat to high and select the desired power setting. Once the room temperature is comfortable, rotate the thermostat counterclockwise till the heater shuts off. The thermostat will now maintain the temperature by cycling the heater on or off. During particularly cold weather, the low power setting may be insufficient to satisfy the thermostat. Select a higher setting for these periods.

SAFETY FEATURES

Tip-Over Safety Feature

This heater is equipped with a tip-over safety feature. Once the heater is tipped over, an internal switch will automatically shut the heater off. Once the heater is restored an upright position, the heater will reset. To continue operation, turn on the heater using the supplied remote control or the control panel on the heater.

Overheat Safety Feature

This heater is equipped with a overheat safety feature. When the heaters internal components reach a certain temperature that could cause overheating and possible fire, the heater will automatically shut off.

WARNING

To avoid injury from unexpected starting or electrical shock, do not plug the power cord into a source of power during unpacking and assembly. The cord must remain unplugged whenever you are adjusting/assembling the heater. If any part is missing or damaged, do not attempt to use or plug in the power cord until the missing or damaged part is correctly replaced. To avoid electric shock, use only identical replacement parts when servicing double-insulated tools.

RESET INSTRUCTIONS

This heater is equipped with an automatic Safety Shutoff Switch for overheat protection, which is activated as the internal temperature exceeds normal operating temperatures.

IF THE HEATER SHUTS DOWN

- 1) **TURN IT OFF**
- 2) **UNPLUG IT AND WAIT 10 MINUTES**
- 3) **PLUG IN AND TURN ON**

IF YOUR HEATER FAILS TO OPERATE

- Be sure it is plugged in and that the electrical outlet is working.
- Check for any obstruction. If you find an obstruction, turn the heater OFF.
- Unplug the heater and wait at least ten minutes for cool-down. Carefully remove the obstruction. Re-plug the heater in and restart it as described in OPERATION section.
- If you still notice the same defect, detach the plug from the outlet and have the appliance checked by service personnel only.
- Check that the set temperature is not lower than the current room temperature. Set the desired temperature higher than the current temperature to restart the heater.

CLEANING AND STORAGE

We recommend that the heater be cleaned at least once a month and before storage.

- Turn the heater OFF and unplug it. Allow it to cool before handling and storing.
- Use a dry cloth to clean the external surfaces of the heater.

DO NOT USE WATER, WAX, POLISH OR ANY CHEMICAL SOLUTION.

- Clean your heater by the above-mentioned steps, then pack the heater in its original container and store it in a cool dry place.
- This heater is not disassembled.
- Under normal use and circumstances, the motor is factory lubricated and will require no further lubrication.

SERVICE INSTRUCTIONS:

- Do NOT attempt to repair or adjust any electrical or mechanical functions on this unit. Doing so will void the warranty.
- If you have any questions regarding this unit's operation or believe any repair is necessary, please call 1-888-672-5832 to speak with a Customer Service Representative.
- If you need to exchange the unit, please return it, in its original carton with a sales receipt enclosed, to the store you purchased it. If you are returning the unit more than 30 days after the date of purchase, please see the enclosed warranty.
- If you have any other question or comments, feel free to write us:

Optimus Enterprise, Inc.
2201 E. Winston Road, Unit J
Anaheim, CA 92806
E-mail: Service@optimusent.com

Warranty

For your own records staple or attach your sales receipt to this manual. Please also write the store name/location and date purchased below.

STORE NAME/LOCATION: _____

DATE PURCHASED: _____

3- YEAR LIMITED WARRANTY: (SAVE THIS WARRANTY INFORMATION)

Optimus Enterprise, Inc. warrants to its customers and or consumer of this electric heater and the parts thereof will be free from defect in material and workmanship, under normal use, for a period of three (3) years from the date of initial purchase. The warranty does not apply to repairs necessitated by damage, misuse, abuse or alternation and to any repair of merchandise not used within the United States or Canada. Unless otherwise proscribed by law, Optimus Enterprise, Inc. shall not be liable for any personal injury, property damage or any incidental or consequential damages of any kind (include water damage) resulting from malfunctions, defects, misuse, improper installation or alternation of this product. This warranty is the only warranty extended by Optimus Enterprise, Inc. to its original customers and/or consumer purchased of this heater. Optimus Enterprise, Inc. disclaims all other warranties, express or implied, that arise by the operation of law, specifically including the implied warranties of merchantability and fitness for a particular purpose. Optimus Enterprise, Inc. shall not be liable for any incidental or consequential damage, which may have resulted from any alleged breach of warranty. Some states do not allow limitations on how long implied warranty lasts or the exclusion or limitation of incidental or consequential damage, so the above limitations or exclusion may not apply to you. This warranty gives you specific legal rights you may also have other rights which vary from state to state.

Should the heater fail during the warranty period, the owner should:

- Within the first 30 days from date of purchase, the store from which you purchased your Optimus product should replace this product if it is defective in material or workmanship (provided the store has in-stock replacement).
- Within the first 12 months from date of purchase, Optimus Enterprise, Inc. will repair or replace the product if it is defective in material or workmanship providing it is returned to Optimus Enterprise, Inc. with freight prepaid, with evidence of purchase date (cash registered receipt) together with \$25.00 check or money order for handling and return packaging/ shipping charges.
- In year 2 through 3 from date of purchase, Optimus Enterprise, Inc. will repair or replace the product with a refurbished heater if it is defective in material or workmanship providing it is returned to Optimus Enterprise, Inc. with freight prepaid, with evidence of purchase date (cash register receipt) together with \$35.00 check or money order for handling and return packaging/ shipping charges.

IMPORTANT: ANY REPAIRS SHOULD BE PERFORMED BY AN AUTHORIZED SERVICE REPRESENTATIVE. DO NOT ATTEMPT TO REPAIR THIS HEATER YOURSELF. DOING SO MAY VOID YOUR WARRANTY.

PLEASE RETAIN THIS WARRANTY AND SALES RECEIPT TO INSURE YOUR PRODUCT WARRANTY.

IMPORTANT: RETURN INSTRUCTIONS:

Your warranty depends on your following these instructions if you are returning the unit more than 30 days after the date of purchase:

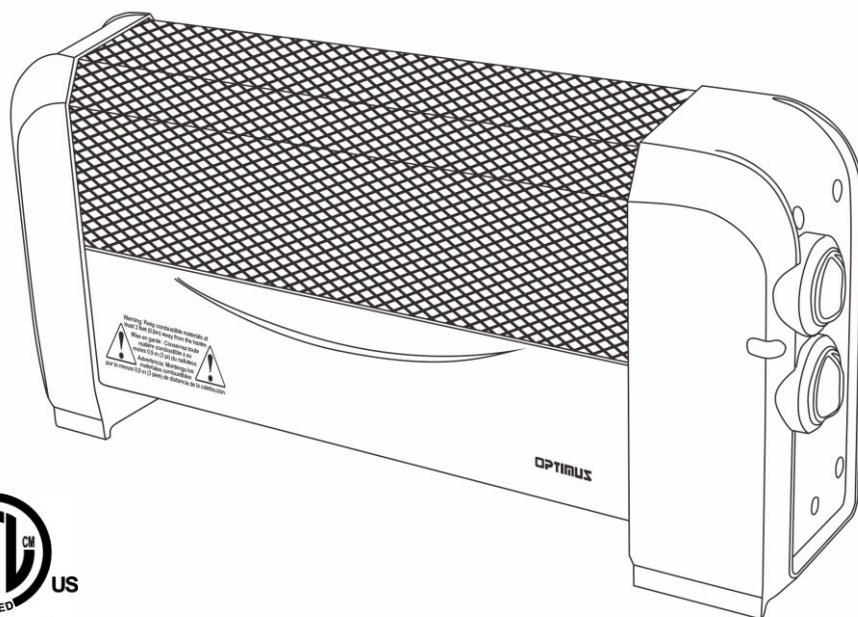
- Carefully pack the heater in the original container or a suitable container to avoid damage in shipping.
- Seal the carton. Address an envelope as follows:
Optimus Enterprise, Inc.
Customer Service Department
2201 E. Winston Road, Unit J
Anaheim, CA 92806
- Inside the envelope, enclose your name, full address with zip code, daytime phone number, evidence of purchase date (cash register receipt) AND A CHECK OR MONEY ORDER for handling and return packaging/ shipping charges. Please also include a brief explanation of the problem you are having with the unit.
- Optimus Enterprise, Inc. recommends you insure the package (as damage in shipments is not covered by your warranty).
- All shipping charges must be prepaid by you (as noted as above).

OPTIMUS

MANUAL de INSTRUCCIONES GUIA para el USARIO

Calentador por convección para zócalo

H-3608-F



LINEA DIRECTA A EL CLIENTE: Si después de leer esta guía de el usuario, usted tiene preguntas o comentarios, por favor escribanos o llámenos con toda confianza a el telefono 1-888-672-5832 o enviandonos un correo electrónico a: Service@optimusent.com. Nuestro representante de servicio a el cliente le ayudara gustosamente.

POR FAVOR LEA Y GUARDE ESTAS INSTRUCCIONES.

INSTRUCCIONE IMPORTANTE:

Por favor lea y guarde estas importantes instrucciones.

Gracias por escoger un Calentador Optimus. Para asegurar el mejor desempeño de su calentador, porfavor lea y guarde las instrucciones siguientes.

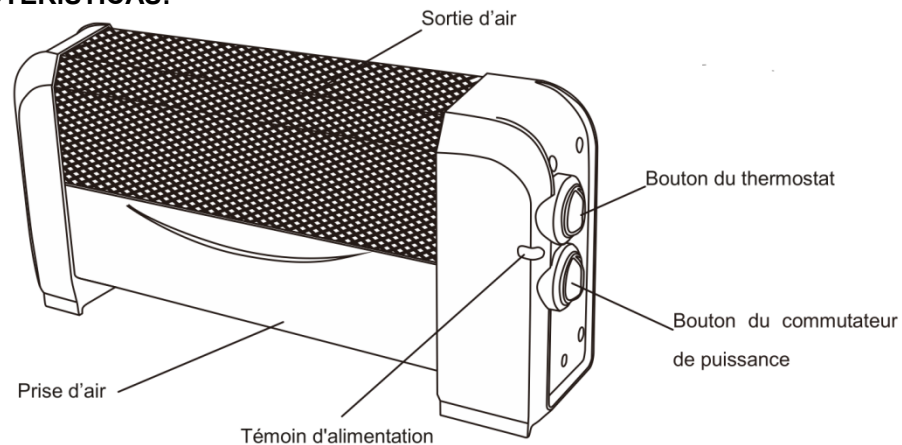
CUANDO SE USEN APARATOS ELECTRICOS, SIEMPRE DEBERAN SER USADAS PRECAUCIONES BASICAS, PARA REDUCIR EL RIESGO DE FUEGO, UN CHOQUE ELECTRICO O ERIR A UNA TERCERA PERSONA.

Deberan seguirse precauciones basicas incluyendo las siguientes:

- Lea cuidadosamente todas las instrucciones antes de usar el calentador.
- Este calentador está caliente mientras esté en uso. Para evitar daños, nunca toque una superficie caliente. Siempre use las asas para mover este calentador, si están incluidas. Mantenga todos los materiales inflamables como muebles, almohadas, ropa de cama, papeles, ropa y cortinas alejados del calentador a una distancia mínima de 0.9 m (3 pies).
- Es necesario tener precaución extrema cuando el calentador es utilizado por niños o cerca de ellos y cuando el calentador se deja funcionando sin supervisión.
- Siempre desenchufe el calentador cuando no esté en uso.
- No opere el calentador con un cable o enchufe dañados. Si el calentador presenta un funcionamiento defectuoso o si ha sufrido una caída o se ha dañado de cualquier manera, devuélvalo a un centro de servicio para una revisión, ajuste eléctrico o mecánico o reparación.
- No use el calentador en exteriores.
- Este calentador no está destinado para usarse en baños, áreas de lavandería y lugares similares interiores húmedos. Nunca coloque el calentador en un lugar donde pueda caer dentro de una bañera o cualquier otro recipiente con agua.
- No tienda los cables debajo de alfombras. No cubra los cables con cubrecamas, alfombras, tapetes o nada parecido. Mantenga el cable alejado de las áreas de paso donde alguien puede tropezar.
- **PRECAUCIÓN:** Este electrodoméstico cuenta con un enchufe polarizado (una espiga es más ancha que la otra). Para reducir el riesgo de choque eléctrico, este enchufe está destinado para conectarse de una sola manera en un tomacorriente polarizado. Si el enchufe no encaja por completo en el tomacorriente, de vuelta al enchufe. Si aún así no puede enchufarlo, póngase en contacto con un electricista calificado. **NO** intente anular esta característica de seguridad, ya que puede ocasionar un peligro de choque eléctrico.
- Este calentador consume 12.5 amperios durante su funcionamiento. Para evitar sobrecargar un circuito, no enchufe el calentador en un circuito que ya cuente con otros electrodomésticos en funcionamiento.
- **PRECAUCIÓN:** Es normal que el enchufe se sienta tibio al tacto; sin embargo, un encaje suelto entre el tomacorriente de CA (receptáculo) y el enchufe puede causar sobrecalentamiento y deformación del enchufe. Póngase en contacto con un electricista calificado para reemplazar un tomacorriente suelto o desgastado.
- Para desconectar el calentador, primero coloque los controles en la posición apagado "O" y luego retire el enchufe del tomacorriente. Nunca tire del cable.
- No inserte ni permita objetos extraños en la rejilla de salida, ya que esto puede causar un choque eléctrico o incendio o puede dañar el calentador.
- Debe haber una adecuada ventilación para evitar la combustión. No lo use sobre una superficie suave, como una cama, donde se pueda bloquear la rejilla de salida.
- El calentador cuenta con elementos calientes en su interior. No lo use en áreas donde se use o almacene gasolina, pintura o líquidos inflamables.
- **PRECAUCIÓN :** Use este calentador solo en la forma descrita en este manual. Cualquier otro uso no recomendado por el fabricante puede causar un incendio, choque eléctrico o daños personales.
- **PRECAUCIÓN:** El uso de un cable de extensión puede causar sobrecalentamiento y provocar un incendio. Sin embargo, si usted necesita usar un cable de extensión, el cable deberá ser de No. 14 AWG como mínimo y con un voltaje nominal no menor de 1,875 vatios.
- La salida de este calentador puede ser lo suficientemente intensa como para quemar la piel expuesta. No se recomienda el uso de este calentador para personas con una sensibilidad reducida al calor.

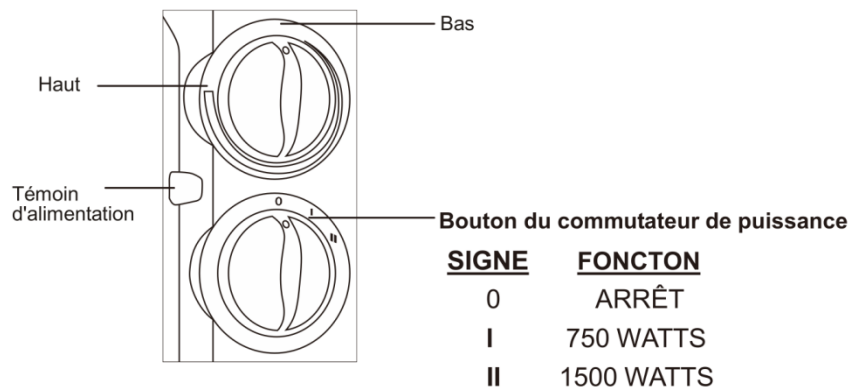
INSTRUCCIONES DE LIMPIEZA Y MANTENIMIENTO:

CARACTERÍSTICAS:



INSTRUCCIONES DE OPERACION

- Este producto tiene un voltaje nominal de 12.5 amperios (1500 W) a 120 V, 60 Hz.
- Conéctelo directamente a una fuente estándar de 120 VCA, 60 Hz.
- Su calentador está equipado con un interruptor de potencia de 3 posiciones:



- Ajuste el interruptor de potencia en máximo (II) para un rápido calentamiento de la habitación. Una vez que la temperatura ambiente sea agradable, seleccione un ajuste menor para ahorrar consumo eléctrico y para evitar que la habitación se caliente demasiado.
- Ajuste el termostato al alto y seleccione el ajuste de potencia deseado. Una vez que la temperatura ambiente sea agradable, gire el termostato hacia la izquierda hasta que el calentador se apague. Ahora, el termostato mantendrá la temperatura alternando el calentador entre encendido o apagado. Durante clima particularmente frío, el ajuste de potencia bajo puede ser insuficiente para que el termostato funcione adecuadamente; entonces, seleccione un ajuste mayor para estos períodos.

CARACTERÍSTICAS DE SEGURIDA

Característica de seguridad en caso de caídas

Este calentador está equipado con una característica de seguridad contra inclinación. Cuando el calentador se inclina, un interruptor interno apaga automáticamente el calentador. Cuando el calentador regresa a la posición vertical, el calentador se reinicia.

Característica de seguridad contra recalentamiento

Este calentador está equipado con una característica de seguridad contra recalentamiento. Cuando los componentes internos de los calentadores alcanzan una temperatura determinada que genere un recalentamiento con posibilidades de ocasionar un incendio, el calentador se apagará.

ADVERTENCIA

Para evitar lesiones por un arranque involuntario o por un choque eléctrico, no enchufe el cable de alimentación a la fuente de poder durante el desempaque y el ensamble. El cable de alimentación debe permanecer desenchufado siempre que usted esté ajustando/ensamblando el calentador. Si alguna parte falta o está dañada, no intente usar el aparato ni enchufe en el cable de alimentación hasta que la parte faltante o dañada sea reemplazada correctamente. Para evitar un choque eléctrico cuando dé mantenimiento a las herramientas con doble aislamiento, sólo use refacciones idénticas a las partes originales.

INSTRUCCIONES DE REINICIO

Este calentador está equipado con un interruptor de apagado de seguridad automático para protección contra sobrecalentamiento, el cual se activa cuando la temperatura interna sobrepasa las temperaturas normales de operación.

SI EL CALENTADOR SE APAGA

- 1) APÁGUELO
- 2) DESCONÉCTELO y ESPERE 10 MINUTOS
- 3) CONÉCTELO y ENCIÉNDALO

SI SU CALENTADOR NO FUNCIONA

- Asegúrese que esté enchufado y que el tomacorriente esté funcionando.
- Verifique la presencia de alguna obstrucción. Si detecta una obstrucción, APAGUE el calentador, desenchúfelo y espere por lo menos diez minutos para que se enfríe. Retire cuidadosamente la obstrucción. Vuelva a enchufar el calentador y reinicielo según lo descrito en la sección OPERACIÓN.
- Si usted todavía nota el mismo defecto mencionado anteriormente, desconecte el enchufe del tomacorriente y lleve su electrodoméstico para ser revisado únicamente por personal de servicio autorizado.
- Verifique que la temperatura ajustada no sea menor a la temperatura ambiente actual. Ajuste la temperatura deseada en un nivel superior al de la temperatura actual para reiniciar el calentador.

LIMPIEZA Y ALMACENAMIENTO

Recomendamos que el calentador sea limpiado como mínimo una vez al mes y antes de almacenarlo.

- APAGUE el calentador y desenchúfelo. Deje que se enfríe antes de manipularlo y almacenarlo.
- Use un paño seco para limpiar las superficies externas del calentador.

NO USE AGUA, CERA, PULIDOR O CUALQUIER SOLUCIÓN QUÍMICA.

- Limpie su calentador usando los pasos anteriormente mencionados y luego guárdelo en su caja original y almacénelo en un lugar frío y seco.
- Este calentador no está desensamblado.
- Bajo circunstancias y uso normales, el motor viene lubricado de fábrica y no requerirá de más lubricación.

INSTRUCCIONES de SERVICIO

- NO intente reparar o ajustar ninguna función eléctrica o mecánica de esta unidad. Hacerlo anulará la garantía.
- Si tiene preguntas referentes a la operación de esta unidad, cree que necesita reparación. Por favor llámenos a el siguiente número telefónico: 1-888-672-5832, y able con nuestro representante de servicio a el cliente.
- Si necesita cambiar la unidad, por favor, regresela en us caja original con y con la factura, a la tienda en donde lo compro. Si esta regresado la unidad despues de 30 dias, consulte el manual de garantías.
- Si tiene alguna pregunta o comentarios, escribanos a la siguiente direccion.

Optimus Enterprise, Inc.
2201 E. Winston Road, Unit J
Anaheim, CA 92806
E-mail: Service@optimusent.com

Garantía

Para su propio archivo, engrape su recibo de compra a este manual y también escriba el nombre de la tienda, y fecha de compra.

NOMBRE DE LA TIENDA: _____

FECHA de COMPRA: _____

TRES (3) AÑOS LIMITE DE GARANTIA:

Guarde esta información de la garantía.

Optimus Enterprise, Inc. Garantiza a sus clientes o consumidores de este calentador eléctrico, que esta libre de defectos de materia prima, fabricación, bajo condiciones de uso normales, por un periodo de 3 años, desde la fecha marcada en el recibo de compra.

La garantía no cubre las reparaciones de daños causados, por: uso incorrecto, alteraciones o cualquier reparación que se haga fuera de los Estados Unidos o Canadá. A menos que haya sido ordenado por la ley. Optimus Enterprise, Inc. No se hace responsable por daños personales, daños a propiedad o accidente, o daños consecuentes de cualquier índole, incluyendo daños causados por lluvia. Resultando en mal funcionamiento, uso incorrecto, instalación inapropiada o alteraciones echas a este producto. Esta Poliza es la única Garantía, expedida por Optimus Enterprise, Inc. Optimus Enterprise, Inc., No es responsable por cualquier otra Poliza, que surja o que le implique, por la ley, específicamente las garantías de mercancía y salud, para un propósito particular.

La empresa Optimus Enterprise, Inc. No será responsable de ningún daño casual o consecuente, que puede haber resultado de la garantía. La empresa Optimus, no es responsable por cualquier accidente o consecuencia dañina, la cual puede ser el resultado de cualquier parte de la garantía. Algunos estados no tienen límites en cuanto a el periodo de la póliza de la garantía, o excluyen los incidentes o daños consecuentes, que puedan ocurrirle.

Esta póliza le da algunos derechos específicos, usted puede tener algunos otros, pero...! Estos varían dependiendo de el lugar.

Si el calentador falla durante el tiempo de la garantía, usted deberá hacer lo siguiente:

1. Dentro de los primeros 30 días, regrese a la tienda en donde lo compro, si el defecto es de fabricación, o mano de obra, la tienda le cambiara por uno que tenga en inventario.
2. En el periodo de 12 meses, después de fecha de compra. Optimus Enterprise, Inc., reparara o reemplazara, el calentador, si el defecto es de fabricación o mano de obra, regrese a Optimus Enterprise, Inc. con la prueba de compra, con todos los gastos de envíos pagados, y con un cheque por \$25.00 USD, para manejo y envío.
3. En el periodo de 2 a 3 años, después de la fecha de compra, la empresa reparara o cambiara el producto por algún otro que haya sido reparado anteriormente, deberá ser regresado a Optimus Enterprise, con todos los recargos prepagados, y con un cheque de \$35.00 USD, para cubrir los recargos por manejo y envío.

IMPORTANTE:

CUALQUIER REPARACION DEBERA SER HECHA POR UN CENTRO AUTORIZADO. NO INTENTE REPARAR ESTE CALENTADOR POR USTED MISMO. SI LO HACE PERDERA LA GARANTIA. PORFAVOR GUARDE EL RECIBO DE COMPRA JUNTO A ESTA POLIZA, PARA HACERLE VALIDA LA GARANTIA DE EL PRODUCTO.

La garantía depende de que usted siga las siguientes instrucciones, para regresar el calentador después de los 30 días, después de la fecha de compra.

- Cuidosamente empaque el calentador en el cartón original o alguna caja en donde pueda poner el calentador, sin sufrir más daños.
- Cierre el cartón, y envíelo a la dirección siguiente, con un sobre :
Optimus Enterprise, Inc.
Customer Service Department
2201 E. Winston Road, Unit J
Anaheim, CA 92806

Dentro de el sobre envíe una nota con su nombre, dirección, código postal, número telefónico, recibo de compra y un cheque para cubrir los gastos de manejo y envío.

Asegúrese de asegurar el paquete, ya que la garantía no cubre daños por envío

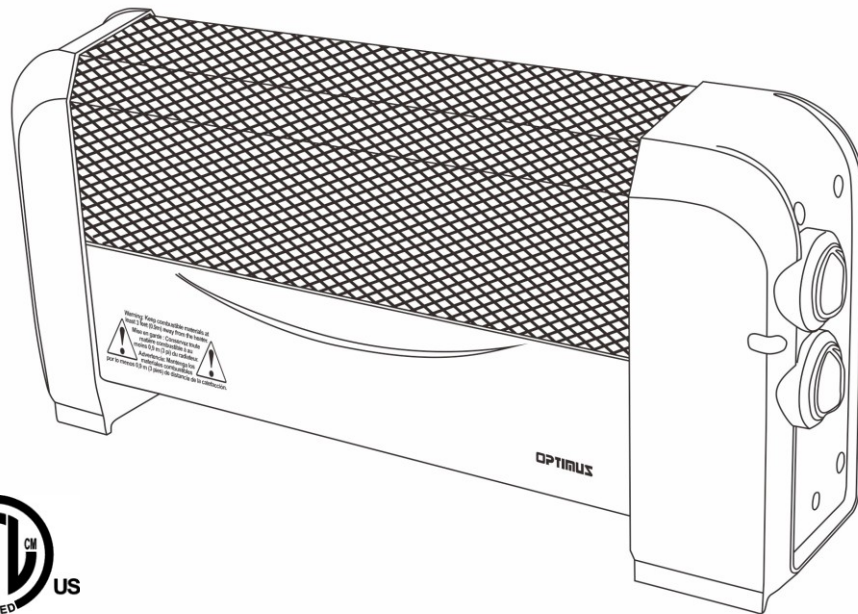
Todos los recargos de manejo y envío son cubiertos por usted.

OPTIMUS

MANUEL D'INSTRUCTION ET GUIDE DE L'UTILISATEUR

Plinthe chauffante électrique

H-3608-F



LINEA DIRECTA A EL CLIENTE: Si despues de leer esta guia de el usuario, usted tiene preguntas o comentarios, porfavor escribanos o llamenos con toda confianza a el telefono 1-888-672-5832 o enviandonos un correo electronico a: Service@optimusent.com
Nuestro representante de servicio a el cliente le ayudara gustosamente.

VEUILLEZ LIRE ET CONSERVEZ CES INSTRUCTIONS.

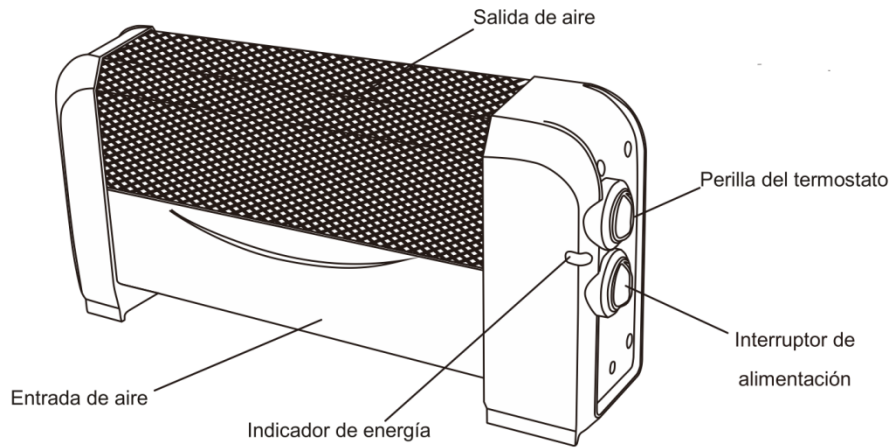
INSTRUCTIONS IMPORTANTES :
VEUILLEZ LIRE ET CONSERVER CES IMPORTANTES MISES EN GARDE

Merci d'avoir opté pour un radiateur Optimus. Pour assurer le rendement maximal de votre radiateur, veuillez lire et conserver les instructions suivantes.

LORS DE L'UTILISATION D'UN APPAREIL ÉLECTRIQUE, DES PRÉCAUTIONS DE BASE DOIVENT TOUJOURS ÊTRE OBSERVÉES POUR RÉDUIRE LE RISQUE D'INCENDIE, DE CHOC ÉLECTRIQUES ET DE BLESSURES CORPORELLES, Y COMPRIS CE QUI SUIT :

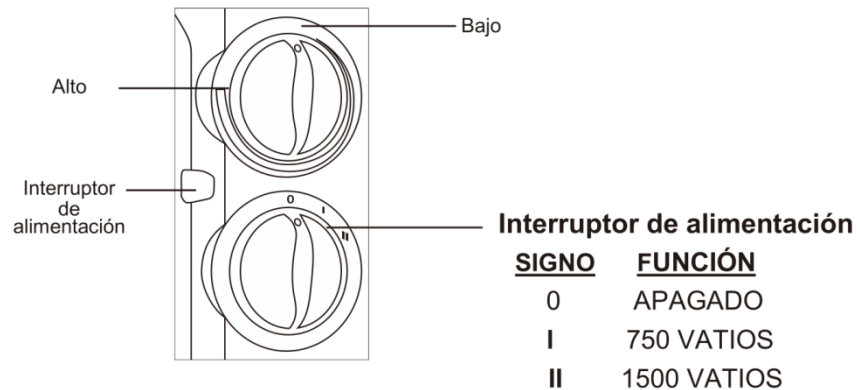
- Lire toutes les consignes avant de vous servir de ce chauffage.
- Le chauffage est chaud lorsqu'il fonctionne. Pour éviter de se blesser, ne jamais toucher une surface chaude. S'il y en a, utiliser les poignées pour déplacer ce chauffage. Tenir les matières combustibles comme le mobilier, les coussins, la literie, les papiers, les vêtements et les rideaux à plus de 0,9 m (3 pi) du chauffage.
- Il faut porter une attention extrême quand un chauffage est utilisé par des enfants ou près d'enfants et quand le chauffage fonctionne sans surveillance.
- Toujours débrancher le chauffage lorsqu'il ne sert pas.
- Ne pas faire fonctionner le chauffage avec un cordon ou une fiche endommagé. Si le chauffage fonctionne mal, ou même s'il est tombé ou a été endommagé d'une quelconque manière, le renvoyer à un centre de service pour un examen, un réglage électrique ou mécanique, ou une réparation.
- Ne pas utiliser le chauffage à l'extérieur.
- Ce chauffage n'est pas prévu pour être utilisé dans les salles de bain, les aires de lavage et autres endroits intérieurs humides semblables. Ne jamais placer ce chauffage là où il pourrait tomber dans une baignoire ou un autre contenant d'eau.
- Ne pas passer le cordon sous de la moquette. Ne pas couvrir le cordon avec des jetées, tapis, chemins de couloir ou articles semblables. Tenir le cordon éloigné des zones de passage où il pourrait faire trébucher.
- ATTENTION: Ce produit est équipé d'une fiche polarisée (une broche est plus large que l'autre). Pour minimiser le risque de décharge, cette fiche est prévue pour s'insérer d'une seule manière dans une prise polarisée. Si la fiche ne s'insère pas complètement dans la prise, la retourner. Si elle ne s'insère toujours pas, contacter un électricien qualifié. NE PAS essayer d'annuler ce dispositif de sécurité, car cela pourrait entraîner un risque de décharge électrique.
- Ce chauffage consomme 12,5 A lors de son fonctionnement. Ne pas brancher le chauffage sur un circuit qui supporte déjà d'autres appareils pour ne pas surcharger celui-ci.
- ATTENTION: Il est normal que la fiche soit chaude au toucher; cependant si le branchement entre la prise CA est lâche, cela pourrait causer une surchauffe et une distorsion de la fiche. Communiquer avec un électricien qualifié pour remplacer une prise défectueuse.
- Pour déconnecter le chauffage, commencer par le mettre hors tension à "0" off, puis retirer la fiche de la prise. Ne jamais tirer sur le cordon.
- Ne pas introduire ou laisser entrer des objets étrangers dans une ouverture de ventilation car cela pourrait entraîner une décharge électrique ou un incendie, ou endommager le chauffage.
- Il faut fournir une bonne aération pour empêcher une combustion. Ne pas utiliser sur une surface souple, comme un lit, où la grille d'évacuation pourrait être bloquée.
- Il Y a des éléments chauds dans un chauffage. Ne pas l'utiliser dans des espaces où de l'essence, de la peinture ou des liquides inflammables sont utilisés ou entreposés.
- Se servir uniquement de ce chauffage selon ce qui est décrit dans ce manuel. Tout autre usage non recommandé par le fabricant peut causer un incendie, une décharge électrique ou des blessures corporelles.
- ATTENTION: Un cordon prolongateur peut surchauffer et causer un risque d'incendie. Cependant si vous devez en utiliser un, ce cordon devra avoir un calibre minimal de 14 AWG avec une puissance nominale d'au moins 1875 watts.
- La chaleur sortant de ce chauffage peut être assez intense pour brûler la peau nue. L'usage de ce chauffage n'est pas recommandé pour des personnes avec une sensibilité réduite à la chaleur.

INSTRUCTIONS DE FONCTIONNEMENT: CARACTÉRISTIQUES:



DIRECTIVES D'UTILISATION :

- Les caractéristiques nominales du produit sont de 12,5 A (1500 W) à 120 V, 60 Hz.
- Branchez directement sur une source standard de 120 Vca, 60 Hz.
- Votre chauffage est équipé d'un commutateur d'alimentation à 3 positions:



- Mettre le commutateur d'alimentation au maximum (II) pour le chauffage rapide d'une pièce. Une fois la température ambiante confortable, choisir un réglage inférieur pour économiser de l'électricité et empêcher qu'il fasse trop chaud dans la pièce.
- Ajuster le thermostat au haut puis choisir le réglage de puissance désiré. Une fois la température ambiante confortable, tourner le thermostat dans le sens antihoraire jusqu'à ce que le chauffage s'arrête. Le thermostat maintiendra la température en démarrant et en arrêtant le chauffage. Lors de temps particulièrement froid, le réglage de puissance bas pourrait être insuffisant pour satisfaire le thermostat. Choisir un réglage supérieur pour ces périodes.

CARACTÉRISTIQUES DE SÉCURITÉ

Caractéristique de sécurité en cas de renversement

Ce chauffage est équipé d'une sécurité en cas de renversement. Lorsque l'appareil est renversé, un commutateur interne éteint automatiquement le chauffage. Lorsque l'appareil est remis en position verticale, il se réinitialise. Pour l'utiliser, allumez le chauffage à l'aide de la télécommande fournie ou du panneau de commande situé sur l'appareil.

Caractéristique de sécurité de surchauffe

Ce chauffage est équipé d'une sécurité en cas de surchauffe. Lorsque les composants internes du chauffage atteignent une certaine température pouvant provoquer une surchauffe et un incendie, le chauffage s'éteint automatiquement.

AVERTISSEMENT

Pour éviter les blessures dues à un démarrage inattendu ou à des chocs électriques, ne pas brancher le cordon d'alimentation à une source d'alimentation pendant le déballage et l'assemblage. Le cordon doit rester débranché chaque fois que vous réglez / assemblez l'appareil de chauffage. Si une pièce est manquante ou endommagée, n'essayez pas d'utiliser ou de brancher le cordon d'alimentation tant que la pièce manquante ou endommagée n'a pas été correctement remplacée. Pour éviter un choc électrique, utilisez uniquement des pièces identiques lors de l'entretien avec des outils à double isolation.

INSTRUCTIONS DE RÉINITIALISATION

Ce chauffage est équipé d'un commutateur de sécurité automatique pour la protection de surchauffe, qui est activée lorsque la température interne dépasse les températures normales de fonctionnement.

SI LE CHAUFFAGE S'ARRÊTE

- 1) LE METTRE HORS TENSION
- 2) LE DÉBRANCHER ET ATTENDRE 10 MINUTES
- 3) LE REBRANCHER ET LE REMETTRE SOUS TENSION

SI VOTRE CHAUFFAGE NE FONCTIONNE PAS

- Vérifier qu'il est branché et que la prise électrique fonctionne.
- Vérifier qu'il n'y a pas d'obstruction. Si vous en trouvez une, tourner le chauffage à OFF. Débrancher le chauffage et attendre au moins dix minutes qu'il refroidisse. Retirer soigneusement l'obstruction. Rebrancher le chauffage et le redémarrer comme décrit dans la section UTILISATION.
- Débrancher l'appareil de la prise et le faire vérifier uniquement par du personnel de réparations.
- Vérifier que la température programmée n'est pas inférieure à la température ambiante. Programmer la température désirée supérieure à la température ambiante pour redémarrer le chauffage.

NETTOYAGE ET RANGEMENT

Nous recommandons que le chauffage soit nettoyé au moins une fois par mois et avant d'être rangé.

- Tourner le chauffage à OFF et le débrancher. Le laisser refroidir avant de le manipuler et de le ranger.
- Se servir d'un linge sec pour nettoyer les surfaces extérieures du chauffage.

NE PAS UTILISER D'EAU, DE CIRE, DE PRODUIT À POLIR OU DE SOLUTION CHIMIQUE.

- Nettoyer votre chauffage en suivant les étapes susmentionnées, puis le remettre dans son contenant original et le ranger dans un endroit frais et sec.
- Ce chauffage n'est pas démonté.
- Lors d'un usage et de cas courants, le moteur est lubrifié à l'usine et n'a pas besoin d'autre lubrification.

INSTRUCTIONS DE DÉPANNAGE :

- N'essayez PAS de réparer ou d'ajuster les fonctions électriques ou mécaniques de cet appareil. Cela annulera la garantie.
- Si vous avez des questions concernant le fonctionnement de cet appareil ou si vous croyez que des réparations sont nécessaires, veuillez composer le 1-888-672-5832 pour communiquer avec un représentant de notre service à la clientèle.
- Si vous devez échanger l'appareil, veuillez le retourner dans sa boîte originale, avec le reçu de caisse, au magasin où vous l'avez acheté. Si vous retournez l'appareil 30 jours après la date de l'achat, veuillez consulter la garantie ci-jointe.
- Si vous avez des questions ou commentaires, n'hésitez pas à nous écrire :

Optimus Enterprise, Inc.
2201 E. Winston Road, Unit J
Anaheim, CA 92806
Courriel : service@optimusent.com

Garantie

Pour vos propres dossiers, agrafez ou fixez votre reçu de caisse à ce manuel. Veuillez aussi écrire le nom et l'emplacement du magasin et la date d'achat ci-dessous.

NOM ET EMBLACEMENT DU MAGASIN _____

DATE DE L'ACHAT : _____

GARANTIE LIMITÉE DE 3 ANS :

(CONSERVEZ LES RENSEIGNEMENTS DE CETTE GARANTIE)

Optimus Enterprise, Inc. garantit à ses clients et/ou consommateurs que ce radiateur électrique et ses pièces seront exempts de défaut de matériel et de fabrication, sous des conditions d'utilisation normales, pour une période de trois (3) ans à compter de la date de l'achat initiale. La garantie ne s'applique pas aux réparations rendues nécessaires en raison d'un dommage, d'un mauvais usage, d'un abus ou d'une modification, ni à toute réparation de marchandise non utilisée au sein des États-Unis ou du Canada. Sous réserve de prescription contraire par la loi, Optimus Enterprise, Inc. ne peut être tenu responsable de blessures corporelles, de dommages aux biens ni de dommages indirects ou consécutifs de toute sorte (y compris les dégâts causés par l'eau) résultants d'un mauvais fonctionnement, d'un défaut, d'un mauvais usage, d'une installation ou d'une modification inappropriée de ce radiateur électrique. Cette garantie est la seule garantie émise par Optimus Enterprise, Inc. à ses clients et/ou consommateurs initiaux ayant acheté le radiateur. Optimus Enterprise, Inc. décline toutes les autres garanties, expresses ou implicites, qui relèvent d'un effet de la loi, incluant particulièrement les garanties implicites de qualité marchande et de convenance pour un but particulier. Optimus Enterprise, Inc. ne peut être tenu responsable d'aucun dommage indirect ou consécutif, lequel peut avoir résulté de toute inobservation présumée d'une garantie. Certains États ne permettent pas de limitation sur la durée de la garantie implicite ou l'exclusion ou la limitation de dommages indirects, ainsi les limitations ou les exclusions ci-dessus peuvent ne pas s'appliquer à vous. Cette garantie vous donne des droits légaux précis; vous pouvez aussi avoir d'autres droits, lesquels varient d'un État à l'autre. Si le radiateur présente un défaut pendant la période de garantie, le propriétaire doit :

- Au cours des 30 jours à compter de la date d'achat, se présenter au magasin où il a acheté le produit Optimus. Le magasin doit remplacer ce produit s'il présente un vice de matériel ou de fabrication (sous réserve que le magasin ait un produit de remplacement disponible).
- Au cours des 12 premiers mois à compter de la date d'achat, Optimus Enterprise, Inc. réparera ou remplacera le produit s'il présente un vice de matériel ou de fabrication sous réserve que le produit soit retourné à Optimus Enterprise, Inc., que les frais de transport soient payés d'avance, que la preuve de la date d'achat (reçu de caisse) soit présente et qu'un CHÈQUE ou MANDAT POSTAL, au montant de 30 \$ USD, soit inclus pour les frais de manutention et d'expédition.
- Au cours de la 2^e à la 3^e année à compter de la date d'achat, Optimus Enterprise, Inc. réparera ou remplacera le produit, par un radiateur remis à neuf, s'il présente un vice de matériel ou de fabrication sous réserve que le produit soit retourné à Optimus Enterprise, Inc., que les frais de transport soient payés d'avance, que la preuve de la date d'achat (reçu de caisse) soit présente et qu'un CHÈQUE ou MANDAT POSTAL, au montant de 60 \$ USD, soit inclus pour les frais de manutention et d'expédition.

IMPORTANT : TOUTE RÉPARATION DOIT ÊTRE EFFECTUÉE PAR UN REPRÉSENTANT DE DÉPANNAGE AUTORISÉ. NE TENTEZ PAS DE RÉPARER CE RADIATEUR PAR VOS PROPRES MOYENS; DANS CE CAS, VOTRE GARANTIE POURRAIT ÊTRE ANNULÉE. VEUILLEZ CONSERVER CETTE GARANTIE ET LE REÇU DE CAISSE POUR ASSURER LA VALIDITÉ DE LA GARANTIE DE VOTRE PRODUIT.

IMPORTANT – INSTRUCTIONS POUR LE RETOUR :

Pour assurer la validité de la garantie, vous devez observer les instructions suivantes si vous retourner l'appareil 30 jours après la date de l'achat :

- Emballez soigneusement le radiateur dans son emballage original ou un emballage approprié pour prévenir les dommages pendant le transport.
- Scellez l'emballage. Libellez l'enveloppe comme suit :
Optimus Enterprise, Inc., Service à la clientèle
2201 E. Winston Road, Unit J Anaheim, CA 92806
- À l'intérieur de l'enveloppe, inscrivez votre nom, adresse complète avec le code postal, numéro de téléphone où vous joindre dans la journée, preuve de la date de l'achat (reçu de caisse) ET UN CHÈQUE OU MANDAT POSTAL pour la manutention et le retour de l'emballage/frais d'expédition. Veuillez aussi inclure une brève explication du problème rencontré avec l'appareil.
- Optimus Enterprise, Inc. vous recommande d'assurer l'emballage (puisque les dommages causés pendant le transport ne sont pas couverts par votre garantie).
- Tous les frais d'expédition doivent être prépayés par vous (tel que stipulé ci-dessus).