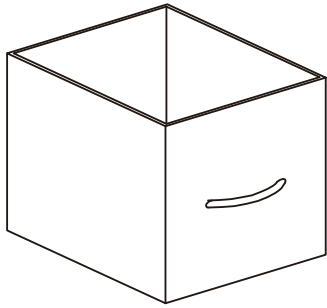
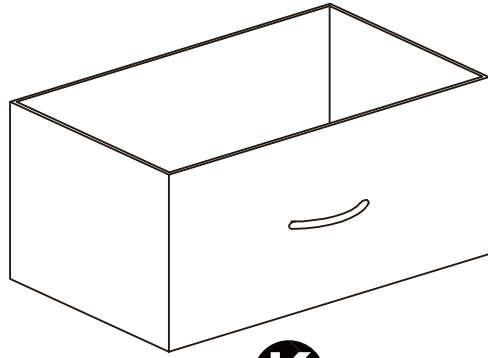


TV Stand Instruction Manual

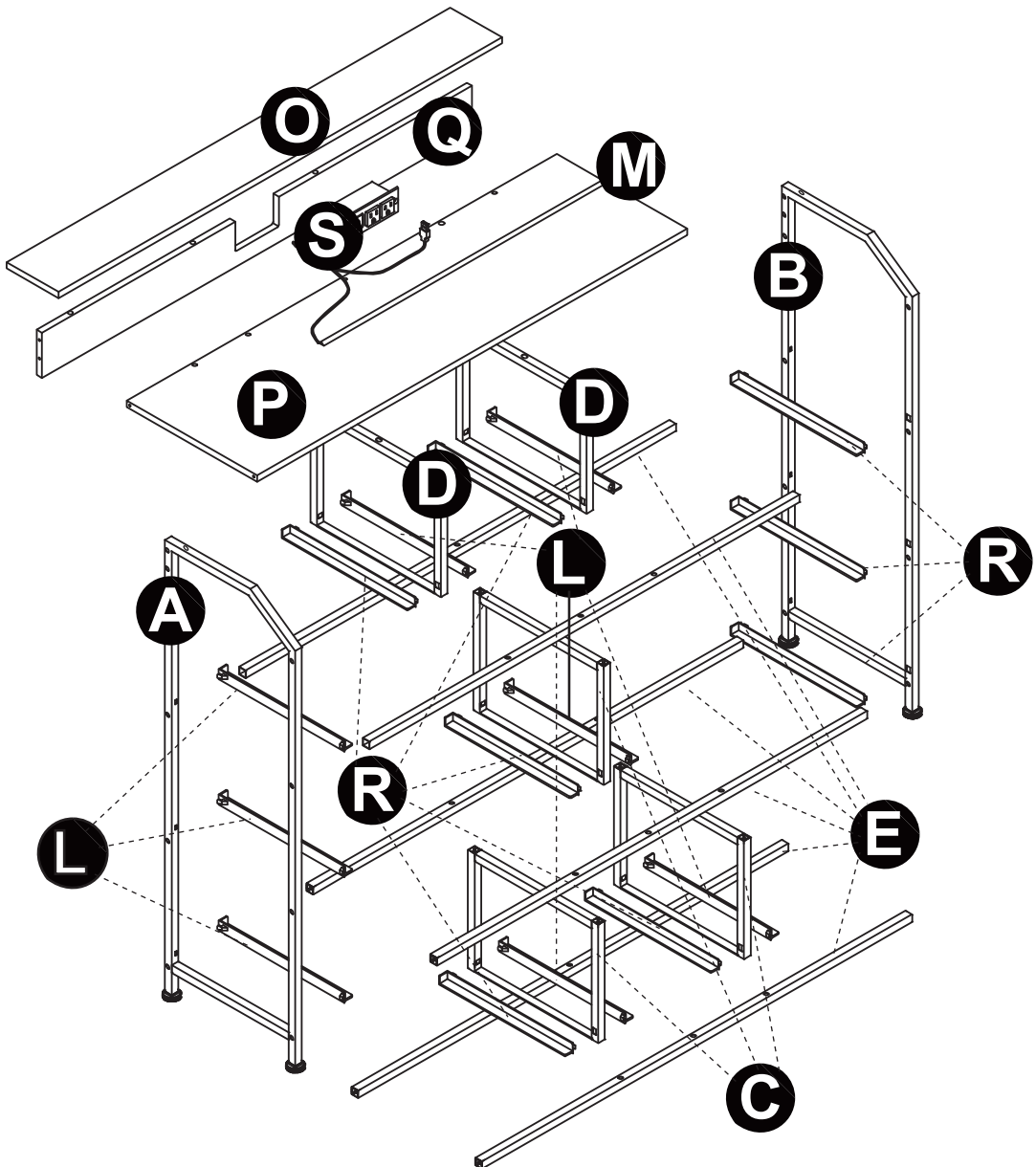




N x 6

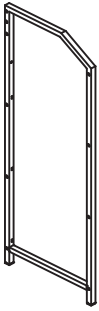


K x 2



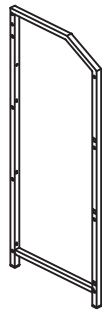
Package Contents

Ax1



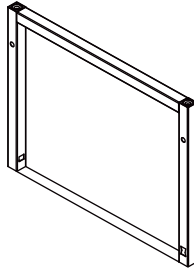
Left

Bx1

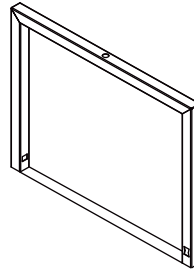


Right

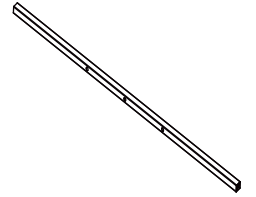
Cx3



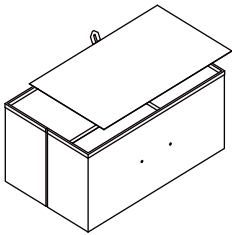
Dx2



Ex6

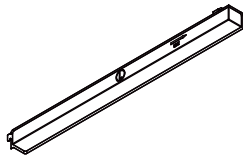


Kx2



Big

Lx8

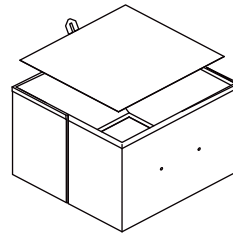


Left

Mx1

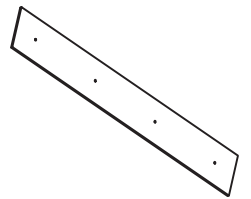


Nx6

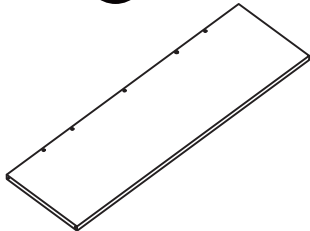


Small

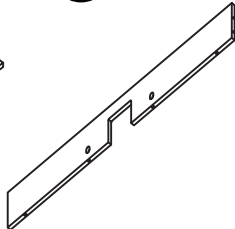
Ox1



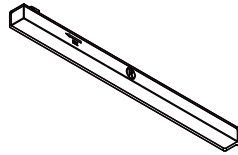
Px1



Qx1

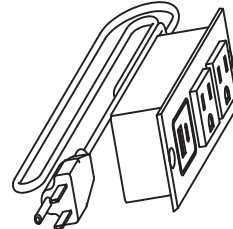


Rx8

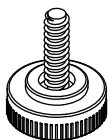


Right

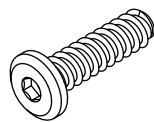
Sx1



1x4

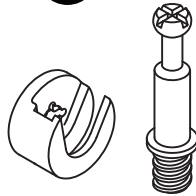


2x32

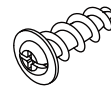


M6 x 23mm

3x2



4x22



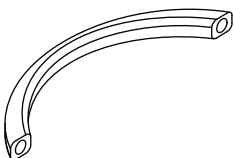
M4 x 10mm

5x11

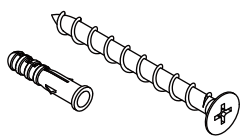


M5 x 30mm

6x8

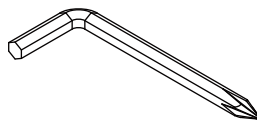


7x2



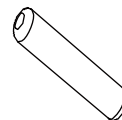
M4x60mm

8x1



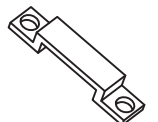
4mm

9x2

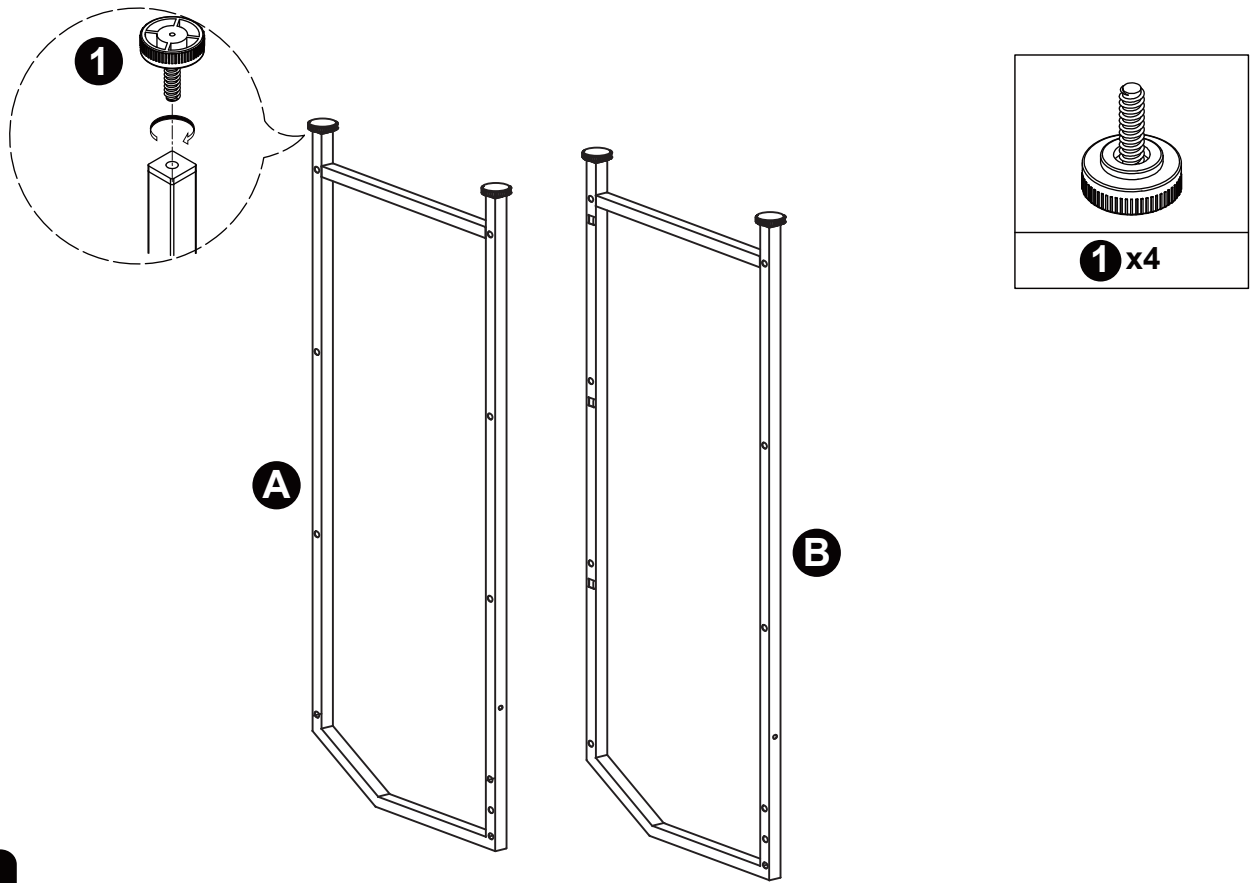


8x25mm

10x2

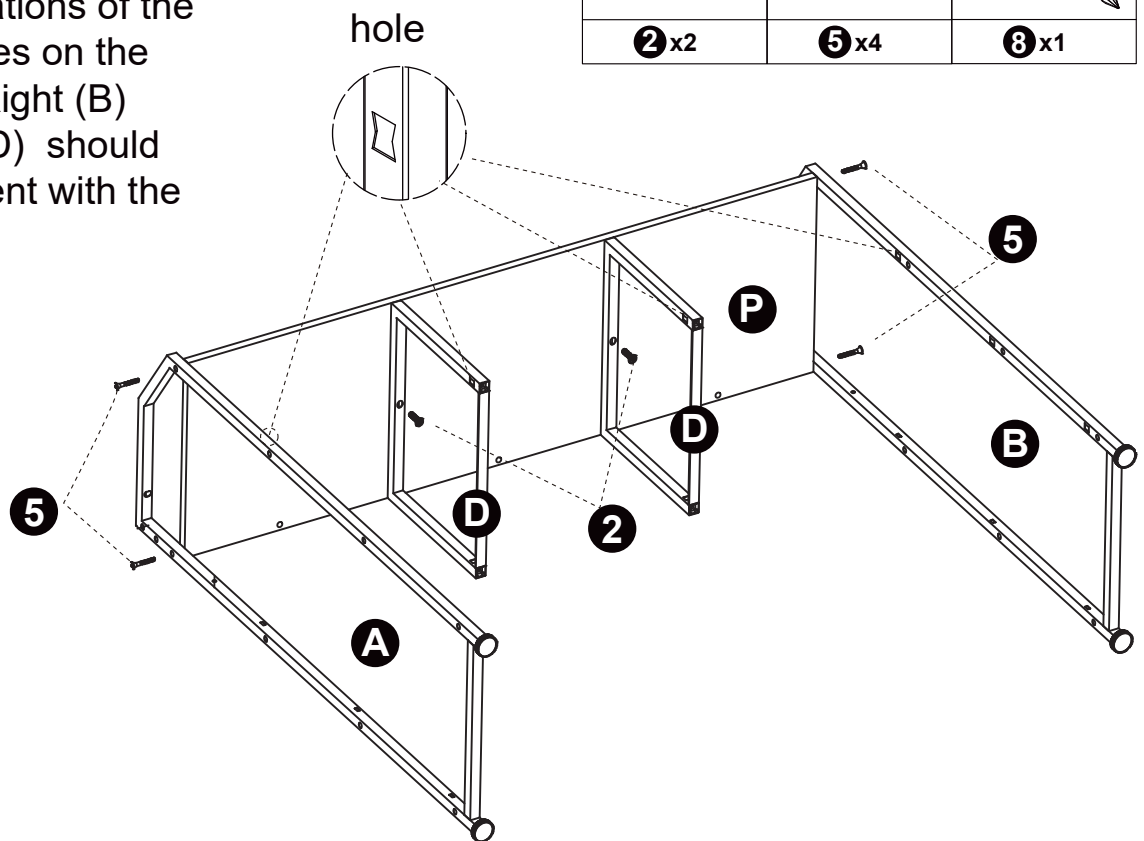
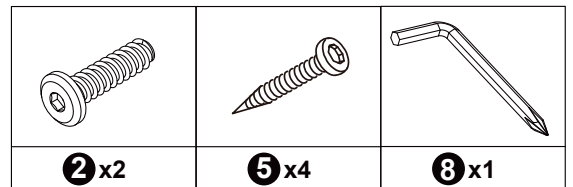


Step 1



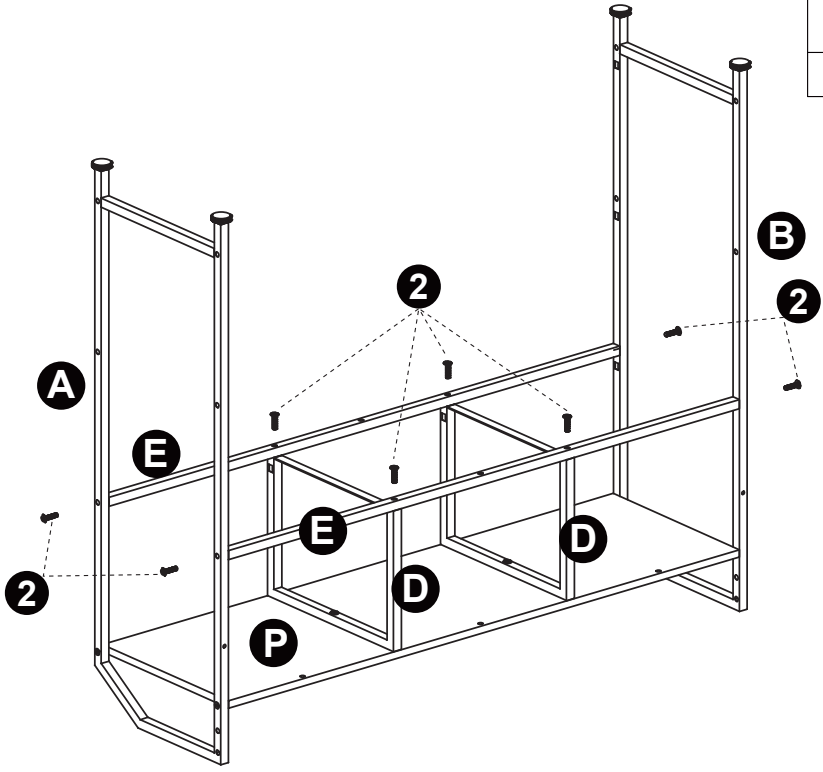
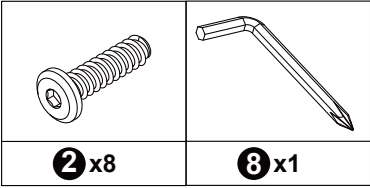
Step 2

The orientations of the square holes on the Left(A) & Right (B) & Middle (D) should be consistent with the illustration.



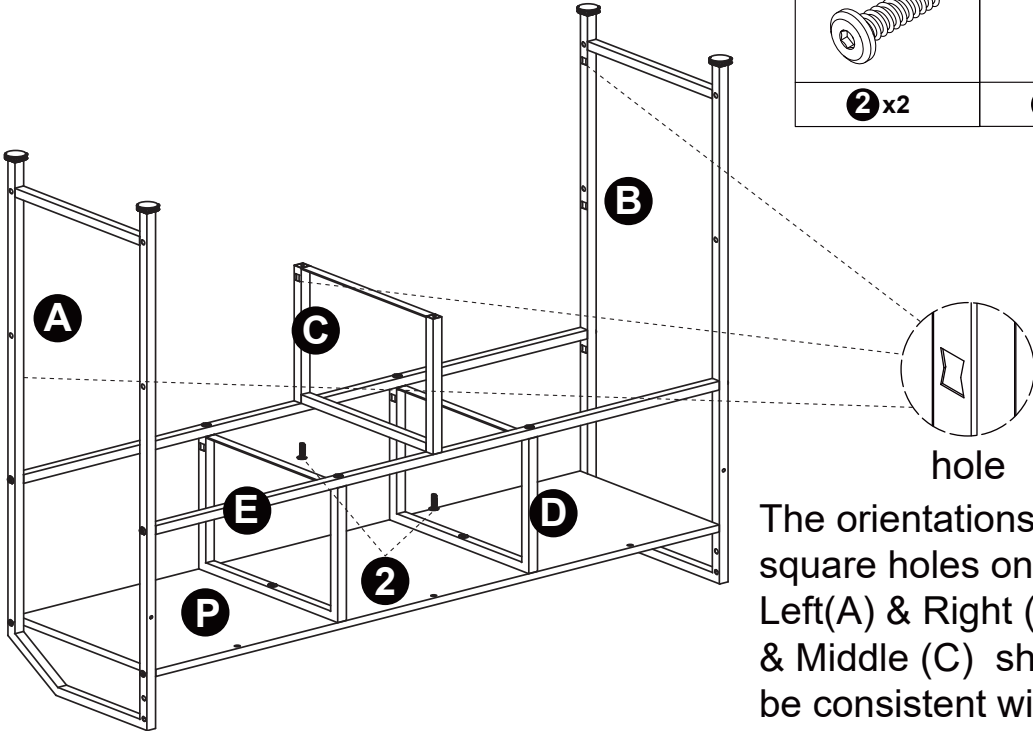
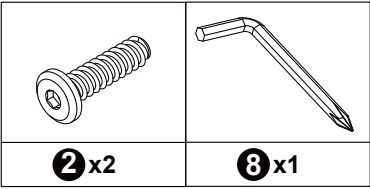
Tighten the screws (about 50%).

Step 3



Tighten the screws (about 50%).

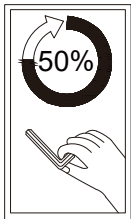
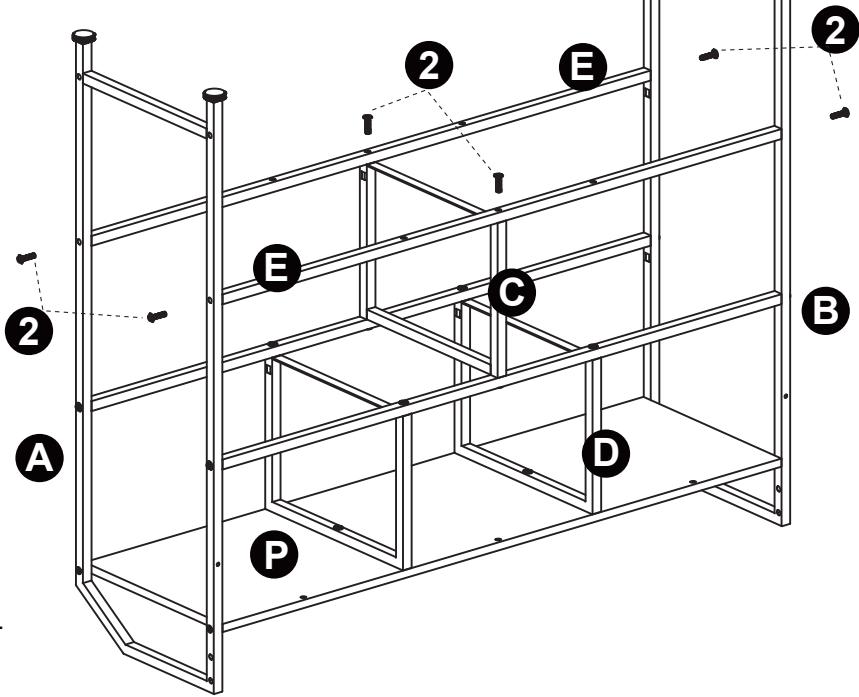
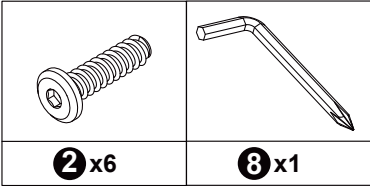
Step 4



Tighten the screws (about 50%).

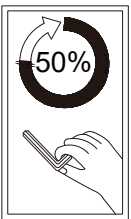
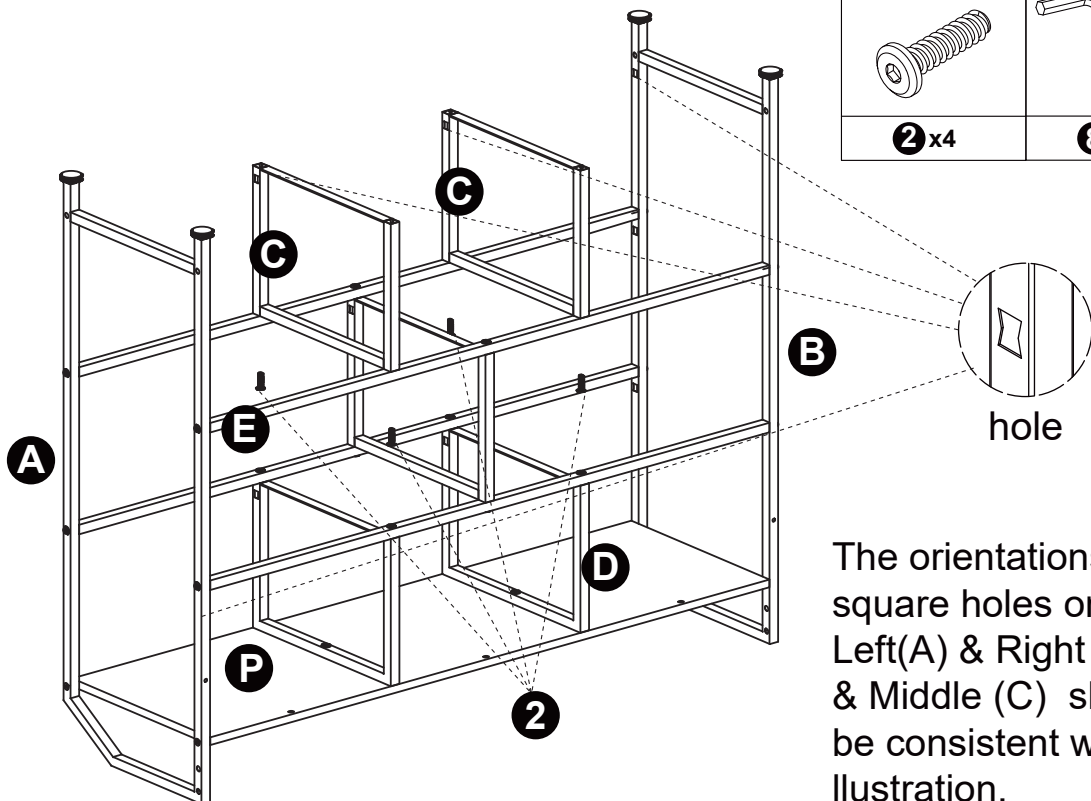
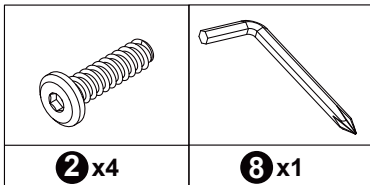
hole
The orientations of the square holes on the Left (A) & Right (B) & Middle (C) should be consistent with the illustration.

Step 5



Tighten the screws (about 50%).

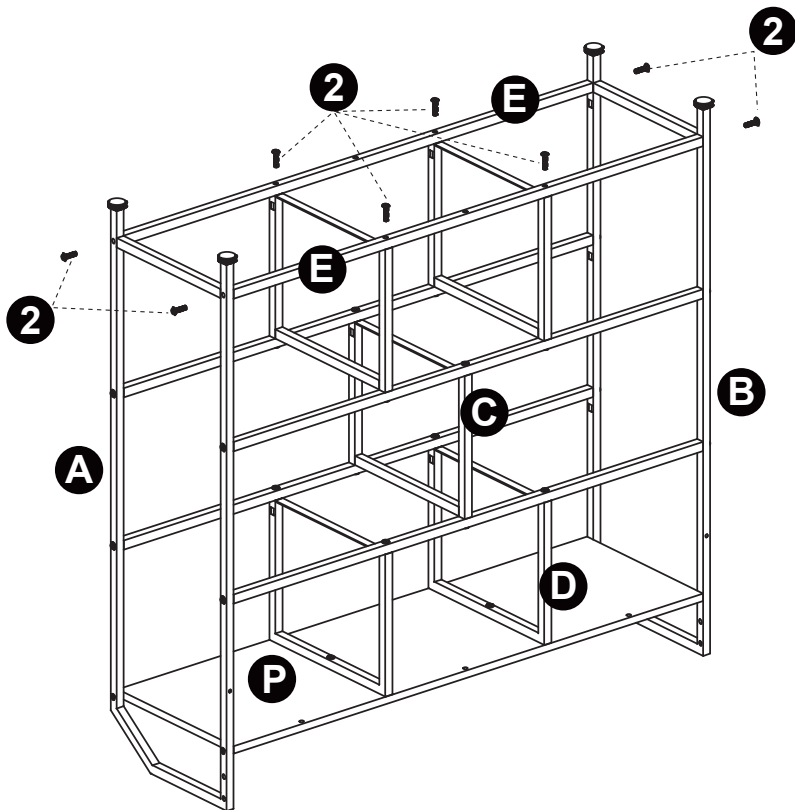
Step 6

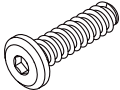
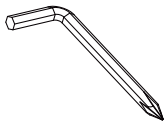


Tighten the screws (about 50%).

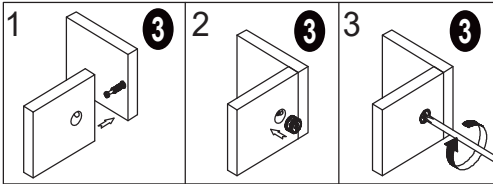
The orientations of the square holes on the Left(A) & Right (B) & Middle (C) should be consistent with the illustration.

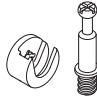
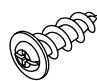

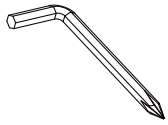
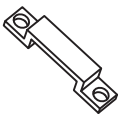
Step 7

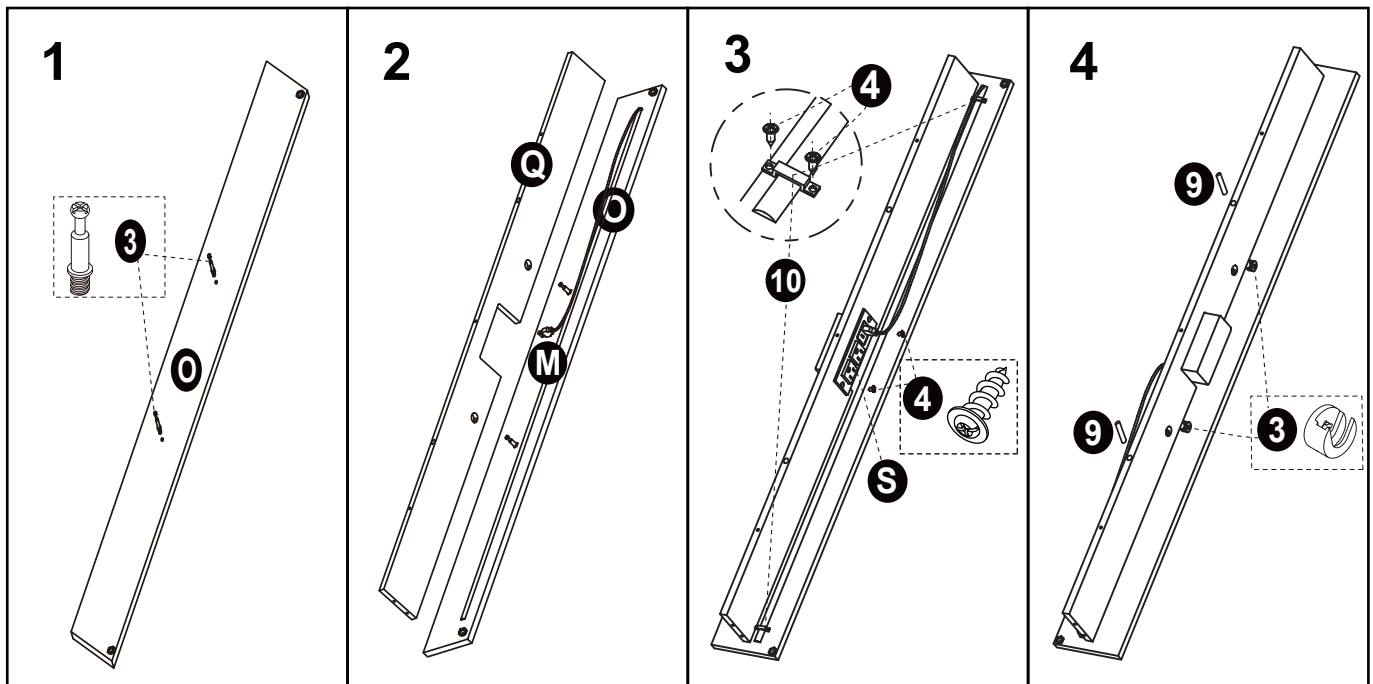


	
2 x8	8 x1

Step 8

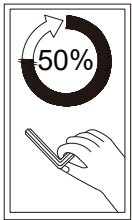
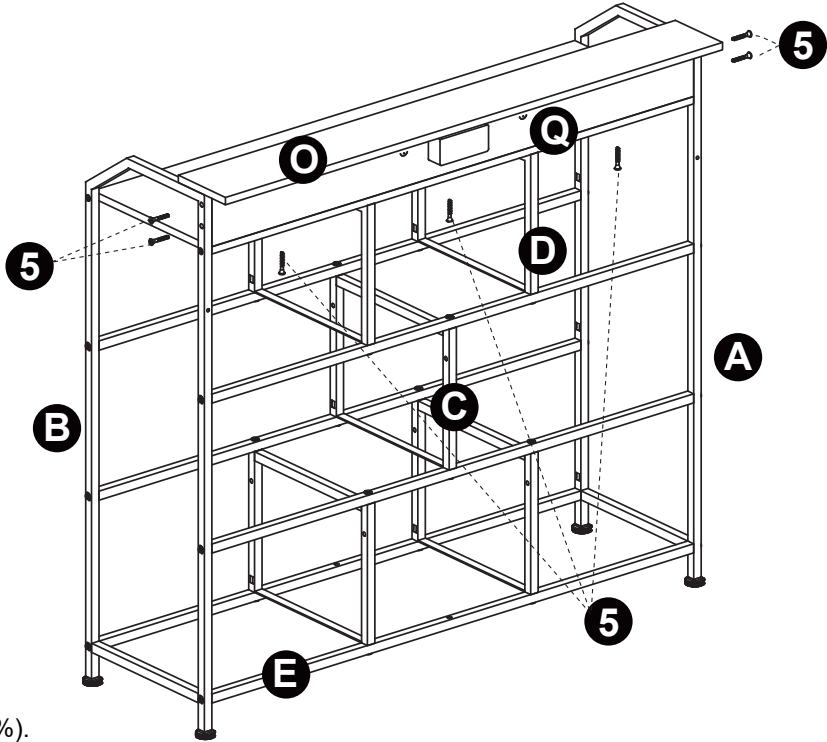
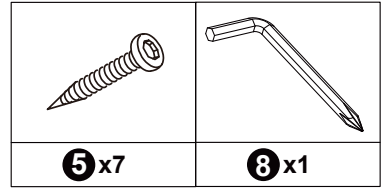


				
3 x2	4 x6	9 x2	8 x1	10 x2



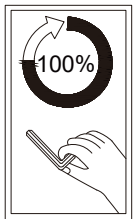
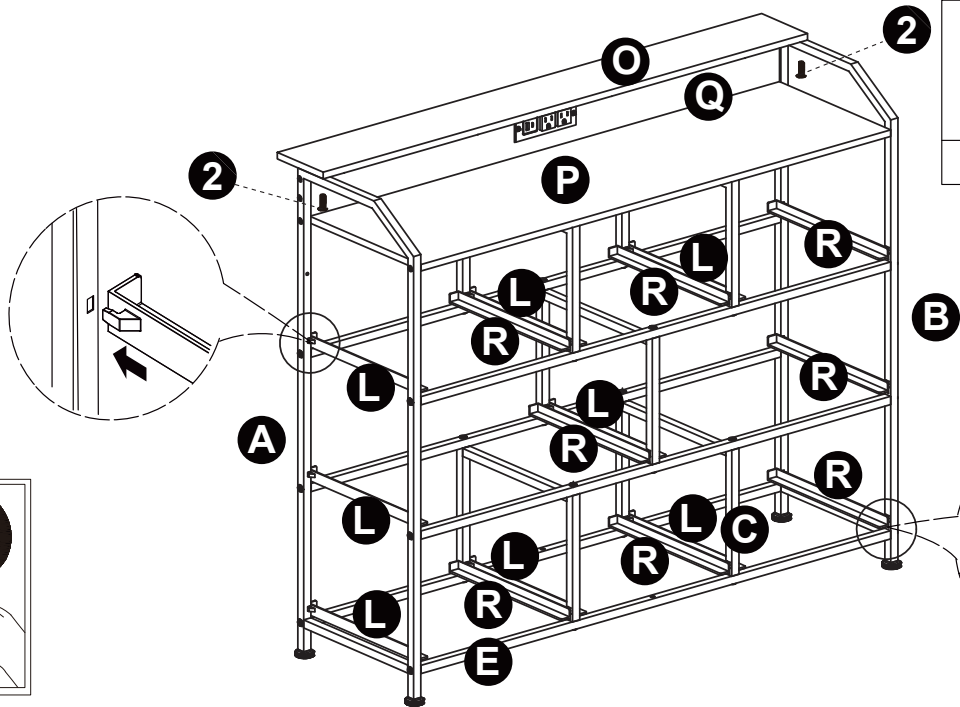
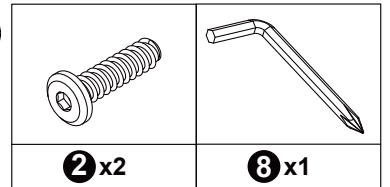
Note: Remove the light strip's film and stick it to the board .

Step 9



Tighten the screws (about 50%).

Step 10



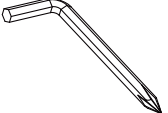


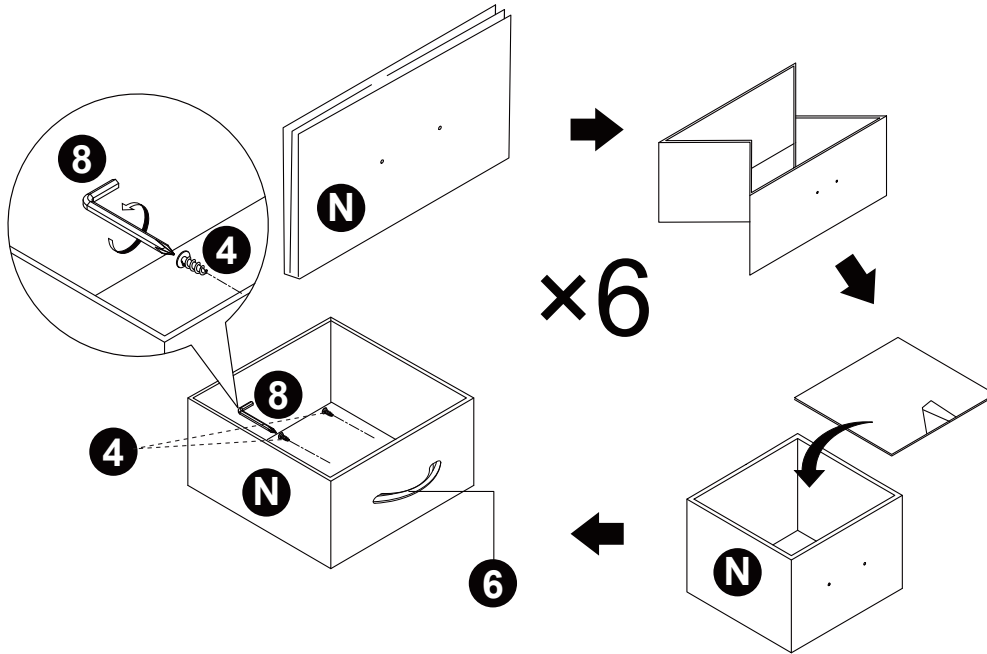
Fully tighten all screws.





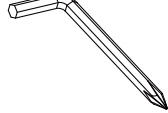
Tighten all screws after drawer sliders are assembled.

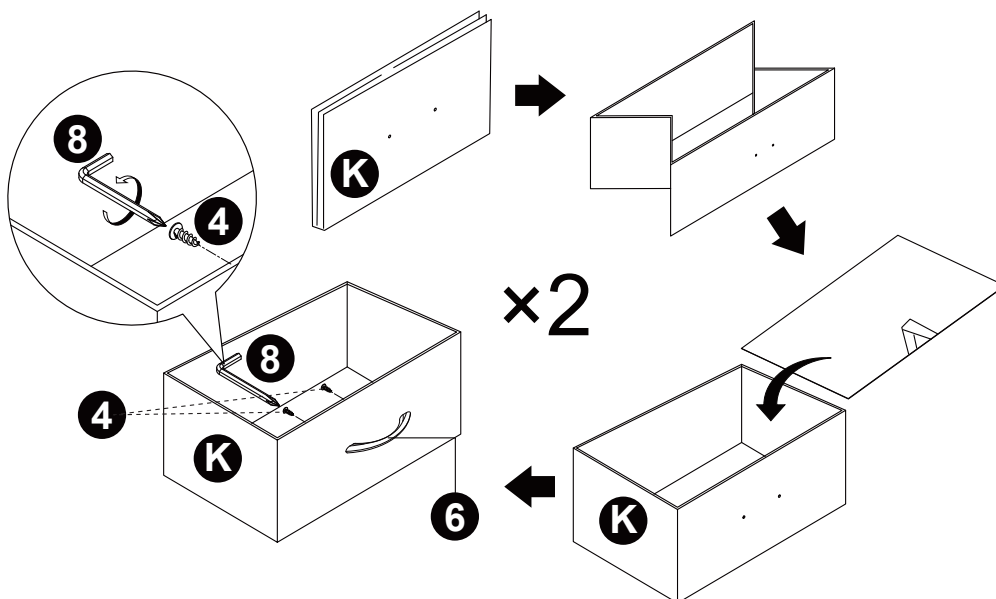
Step 11

		
4 x12	6 x6	8 x1

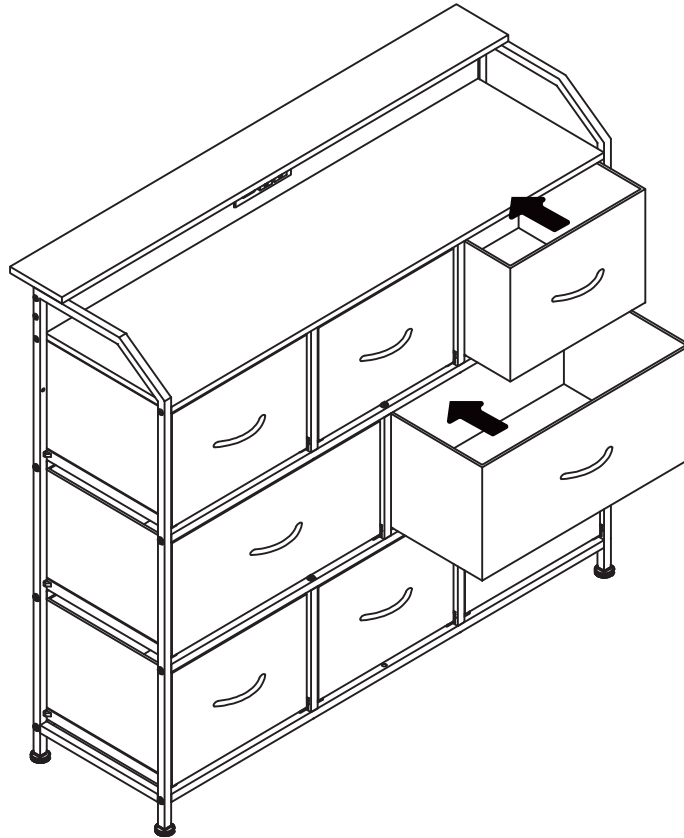


Step 12

		
4 x4	6 x2	8 x1



Step 13

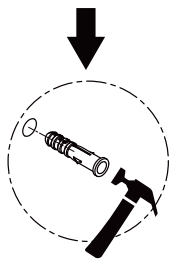


Step 14

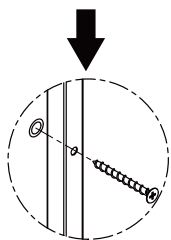
Install the anti-tip kit:



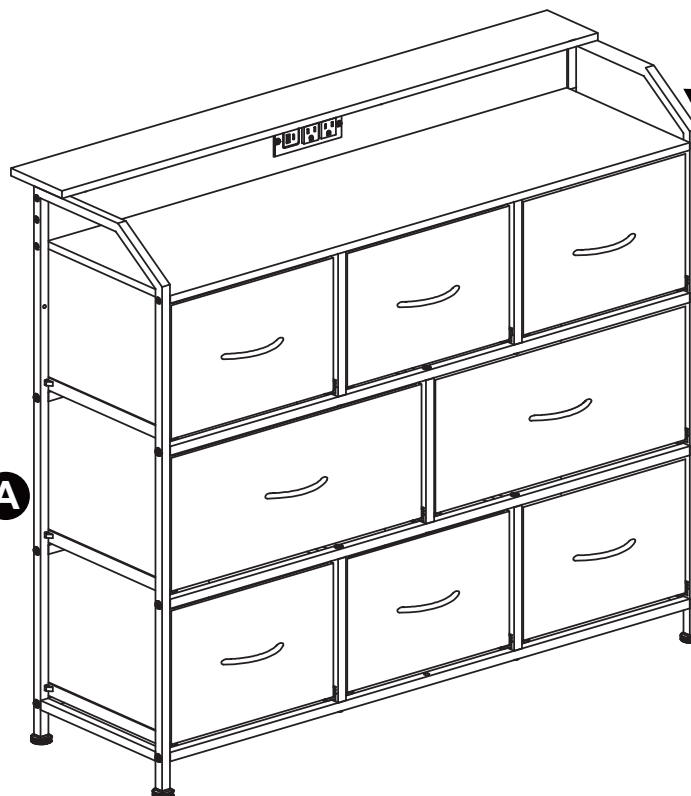
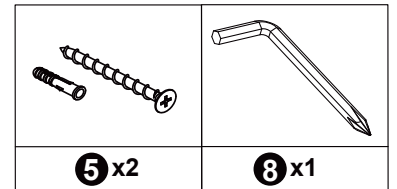
Drill a hole on the wall.



Insert a wall anchor into the hole.



Insert the screw through the frame A into the hole.



Repeat the same steps on this side.

NOTE: Electric drill, hammer are not provided.



Thank you for choosing this product. We strive to provide you with the best quality products and service in the industry. Should you have any issues, please don't hesitate to contact us.