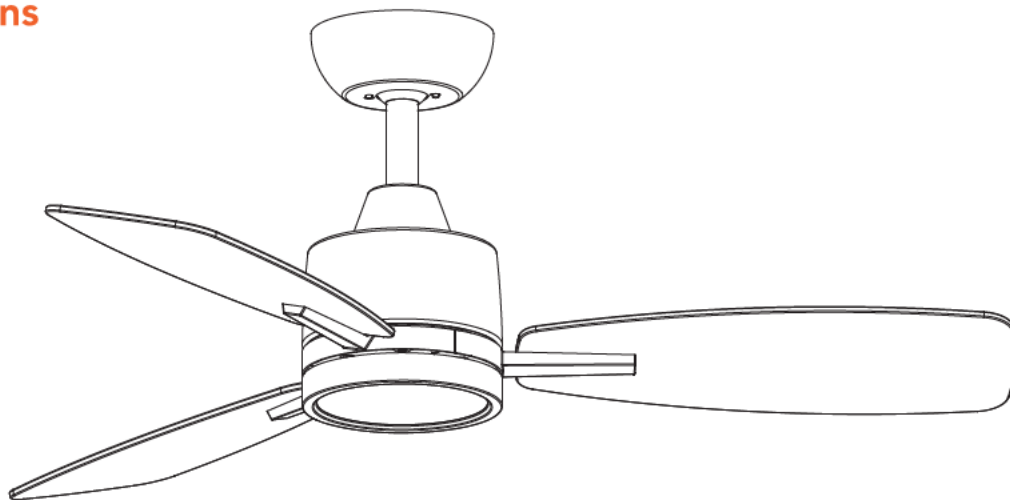


Technical specifications



Fan Size	Input voltage	Power
32 Inch	AC100-240V 50/60Hz	25+15W
42 Inch	AC100-240V 50/60Hz	35+15W
52 Inch	AC100-240V 50/60Hz	35+15W



WARNING



ON/OFF switch



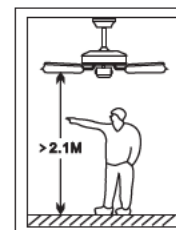
Dimmable switch

Turn power off before installation, inspection or removal.

Do not touch the light when it is on or hot. In case of any problem with the fan light, turn power off, neither attempt to repair, unless you're a qualified technician.

Do not expose to water or rain.

Ensure that after the fan is installed, its lowest point is no less than 2.1 meters from the ground.



Packing List



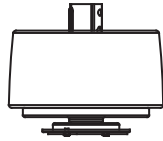
Hanger Bracket



Downrod



Coupling Cover



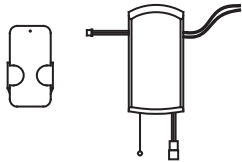
Fan Motor Assembly



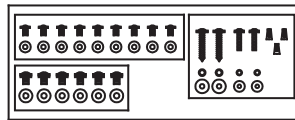
Canopy



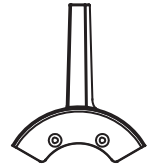
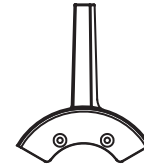
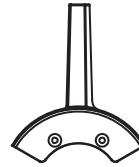
Lamp



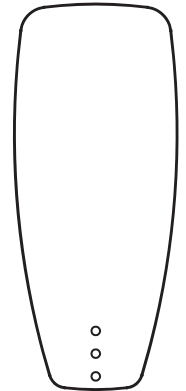
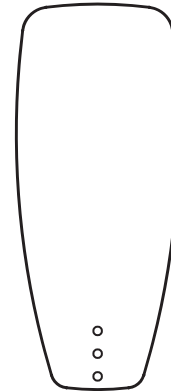
Remote Control



Screw Pack



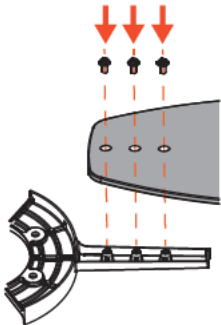
Blade Arm



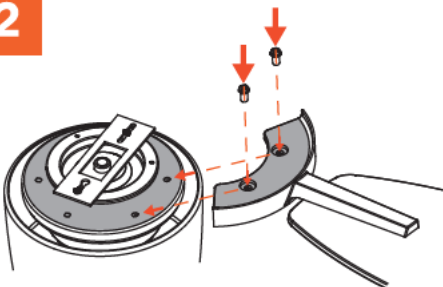
Blade

Installation Guide

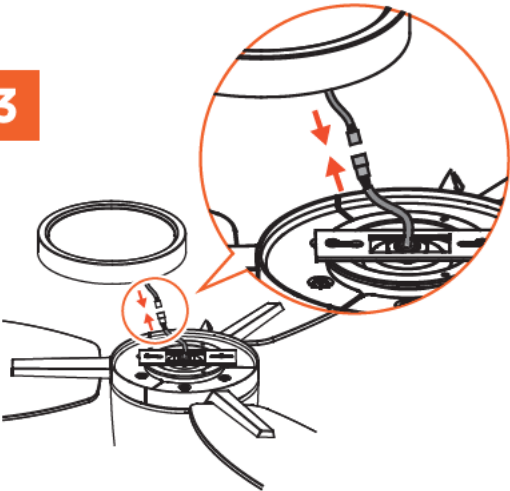
1



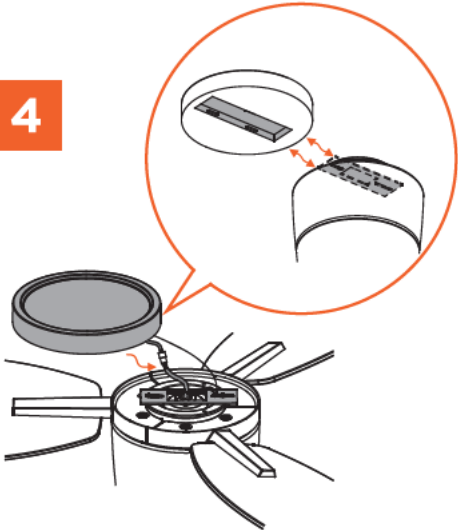
2



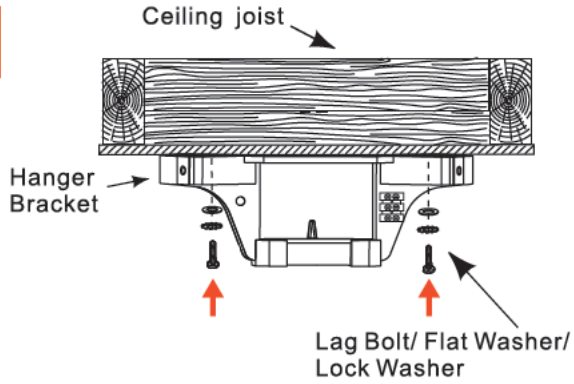
3



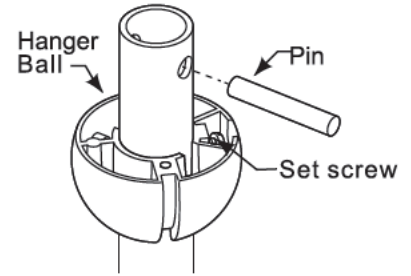
4



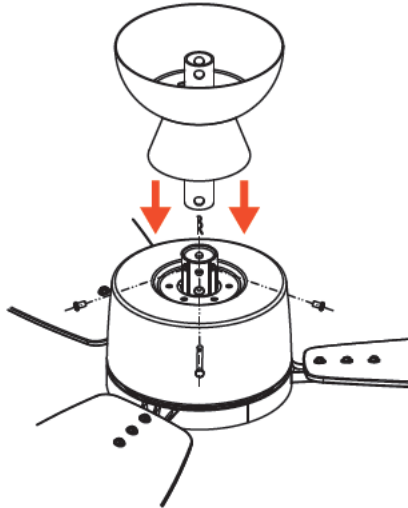
5



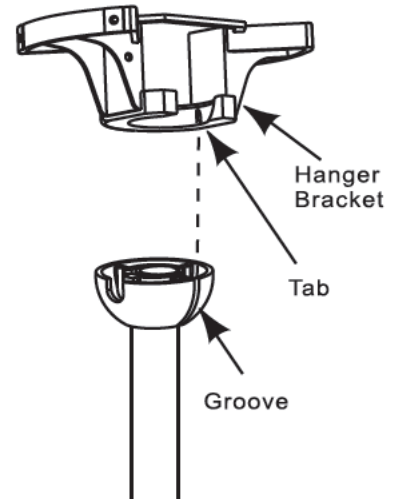
6



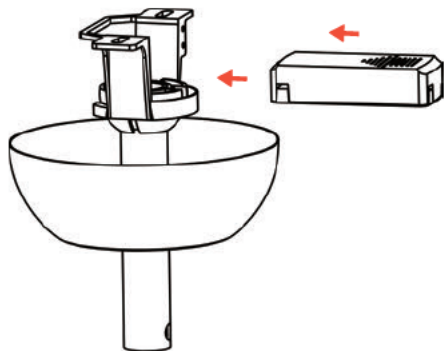
7



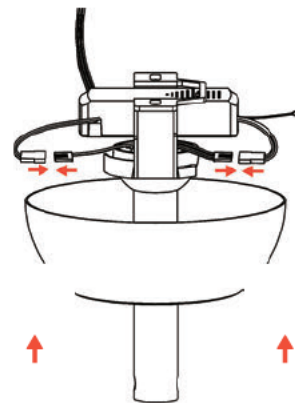
8



9



10



11

