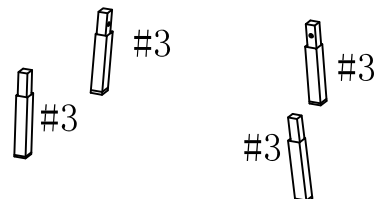
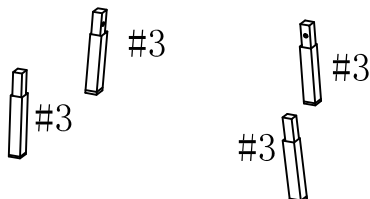
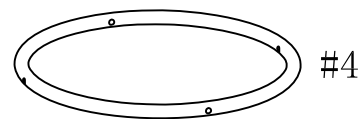
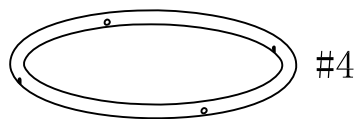
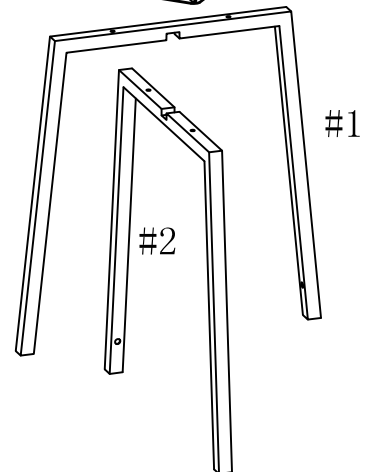
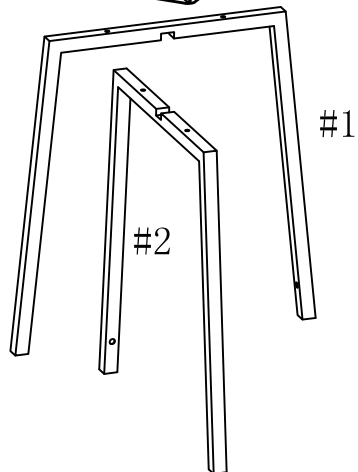
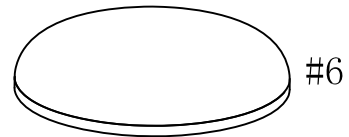
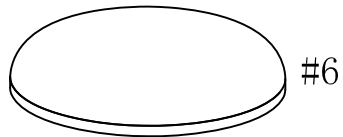
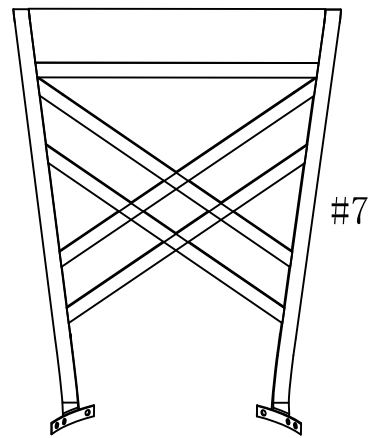
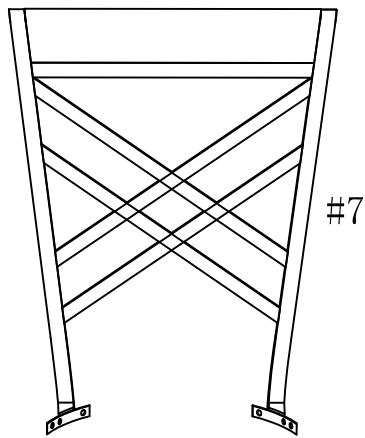


NOTE:DO NOT TIGHTEN ANY OF THE SCREWS UNTIL IS FULLY ASSEMBLED

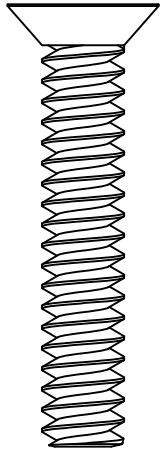
ASSEMBLY INSTRUCTION

2 PIECES STOOL SET

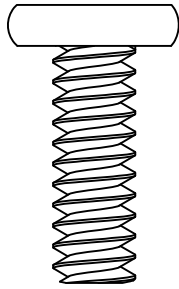
- #1 UPPER LEG FRAME (2)
- #2 LOWER LEG FRAME (2)
- #3 EXTENSION LEG (2)
- #4 FOOT REST (2)
- #5 SWIVEL (2)
- #6 CUSHION ATTACHED TO SEAT FRAME (2)
- #7 BACK REST (2)



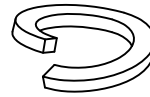
NOTE:DO NOT TIGHTEN ANY OF THE SCREWS UNTIL IS FULLY ASSEMBLED



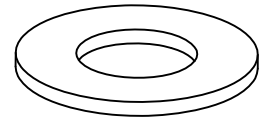
BOLT
A x 20
 $\phi 1/4'' * 1-1/8''$



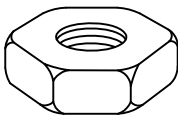
BOLT
B x 24
 $\phi 1/4'' * 5/8''$



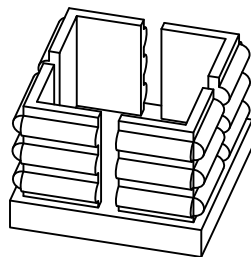
SPRING WASHER
C x 16



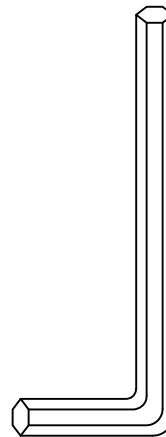
FLAT WASHER
D x 16



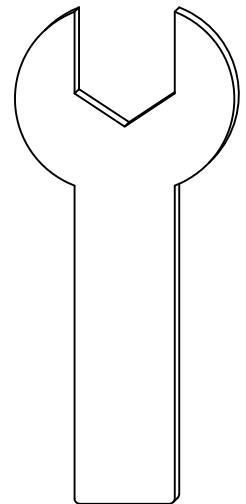
NUT
E x 12
 $\phi 1/4''$



PLASTIC CAP
F x 8



ALLEN KEY

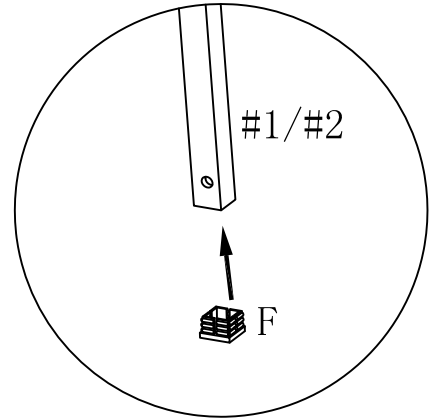
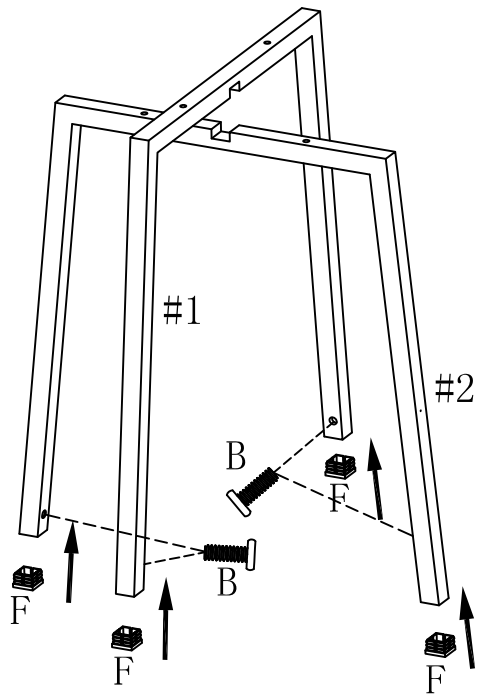



OPEN SPANNER

NOTE:DO NOT TIGHTEN ANY OF THE SCREWS UNTIL IS FULLY ASSEMBLED

1-1. FOR 24 INCH SEAT HEIGHT USE PARTS #1, #2, F.

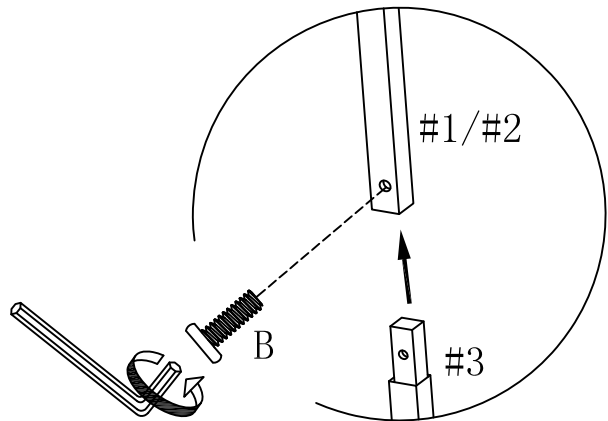
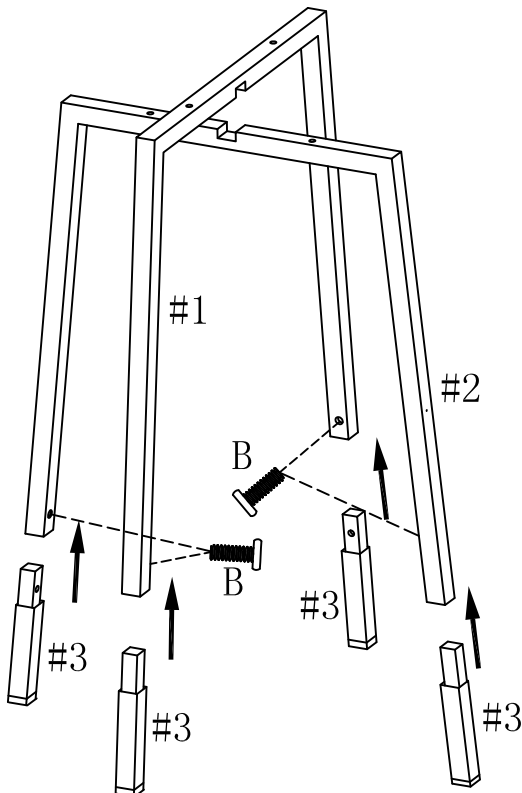
X2

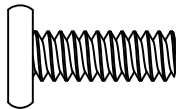


F		4
---	---	---

1-2. FOR 30 INCH SEAT HEIGHT USE PARTS #1, #2, #3.

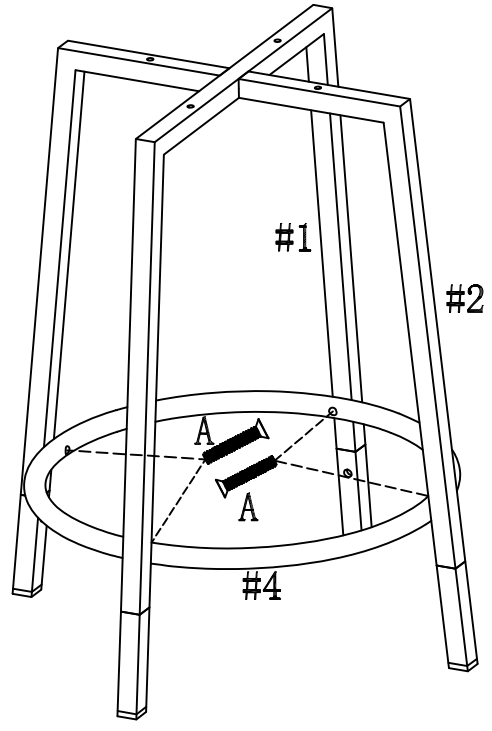
X2




B		4
---	---	---

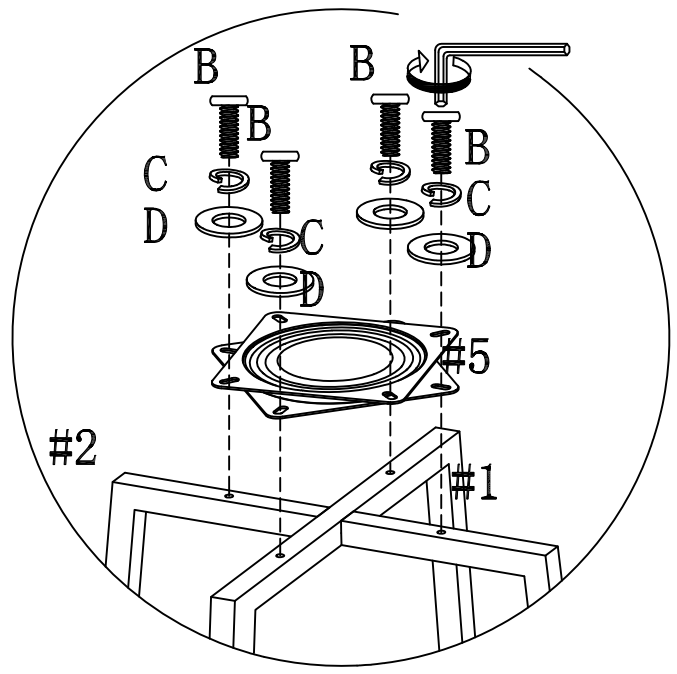
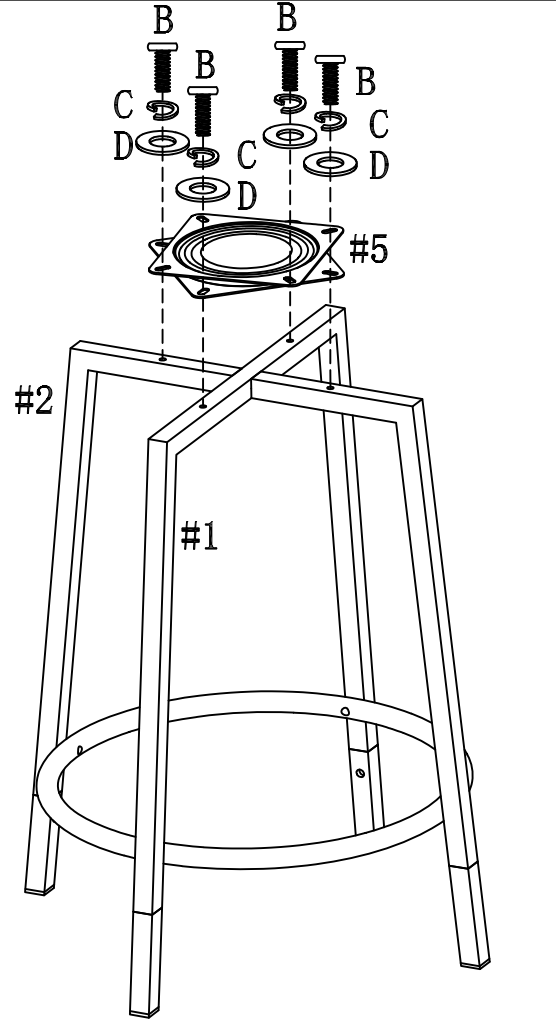
NOTE:DO NOT TIGHTEN ANY OF THE SCREWS UNTIL IS FULLY ASSEMBLED



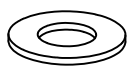
2.
X2



A		4
---	--	---

3.
X2

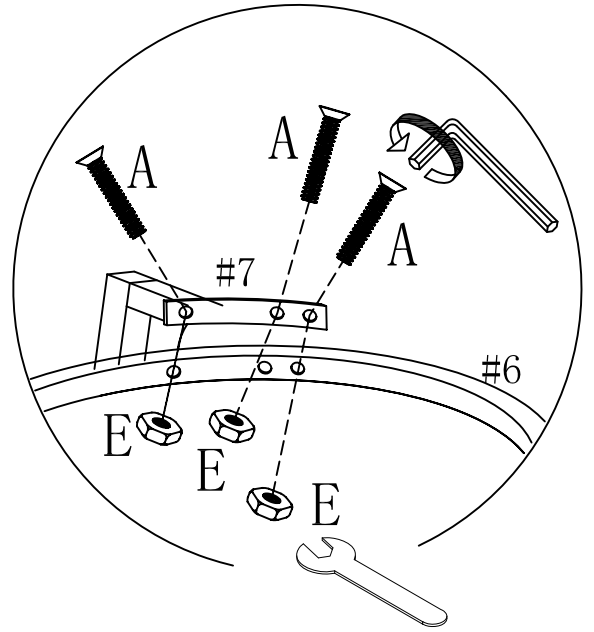
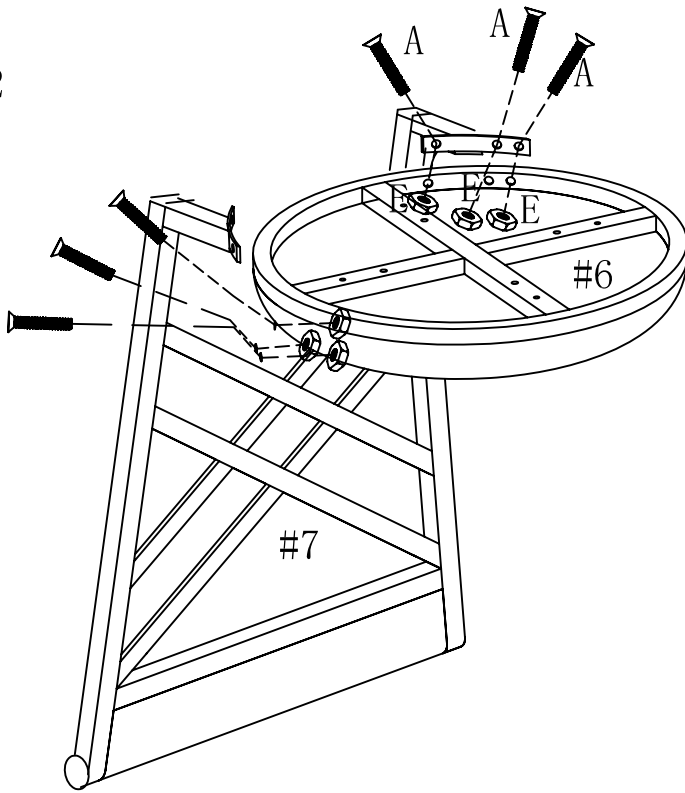



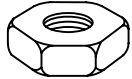
B		4
C		4
D		4

NOTE: DO NOT TIGHTEN ANY OF THE SCREWS UNTIL IS FULLY ASSEMBLED

4.

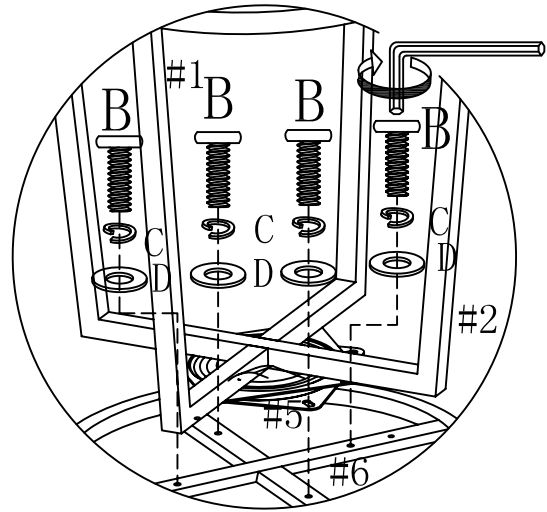
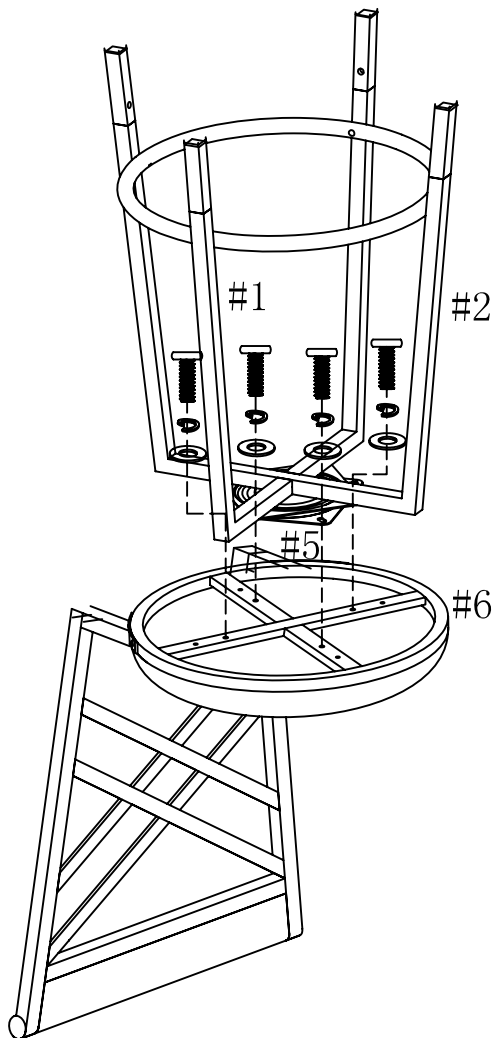
X2

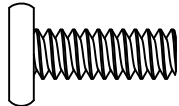




A		6
E		6

5.

X2



B		4
C		4
D		4