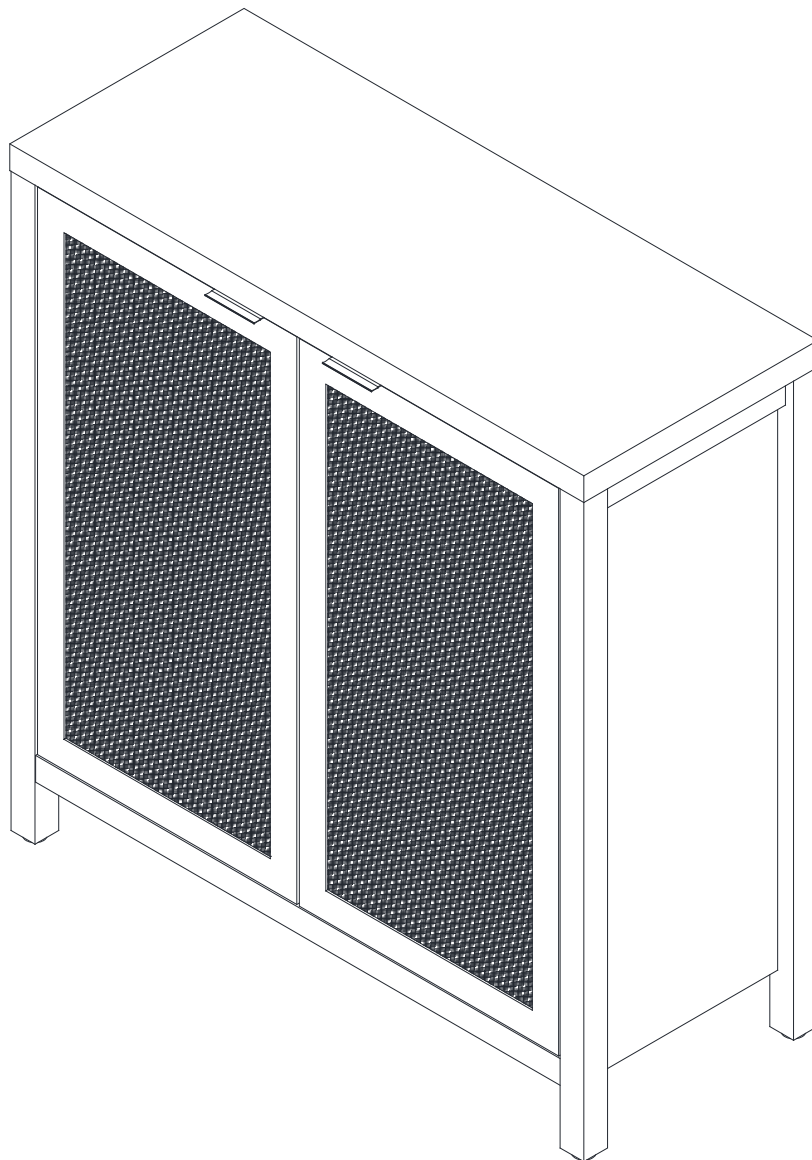


SICOTAS

SCEWA10002
SCEWA10002BL
SCEWA10002LT



Made In China

Assembly Instructions

Before beginning the assembly process, please read and save these instructions for reference. Following these guidelines will ensure a smooth and successful assembly of your product.

1. Part Identification:

Carefully separate and identify all the parts included in your package. Confirm that you have all the components listed in the instruction manual. This step will help you avoid any missing or misplaced parts during assembly.

2. Work Surface:

To prevent any scratches or damage to the product, assemble it on a soft mat or a similar protective surface. This will provide a cushioned area for the components and protect the surfaces from unwanted marks.

3. Step-by-Step Assembly:

Follow the assembly instructions provided, proceeding one step at a time. Take care to understand each step properly before proceeding to the next one. This sequential approach ensures that the assembly is done correctly and minimizes the chance of errors.

4. Proper Screw Seating:

When attaching screws and nuts, it is essential not to fully tighten them until all screws are correctly seated. By partially tightening each screw and nut initially, you can ensure that they are aligned properly and fit securely before final tightening.

5. Avoid Over-Tightening:

While each screw and nut should be tightened correctly, it is crucial not to over-tighten them. Over-tightening can cause damage to the product or compromise its structural integrity. Use the appropriate amount of force to secure the components without excessive tightening.

If you encounter any questions or problems during the assembly process, please do not hesitate to contact us. We strive to provide excellent customer support and will respond to your inquiries within 24 hours. Our team will offer you a suitable solution to address any concerns you may have.

SICOTAS Customer Help Center:

✉ Service@sicotas.com

🌐 www.sicotas.com

☎ 833-742-6827

Official Website:



WhatsApp:



YouTube:



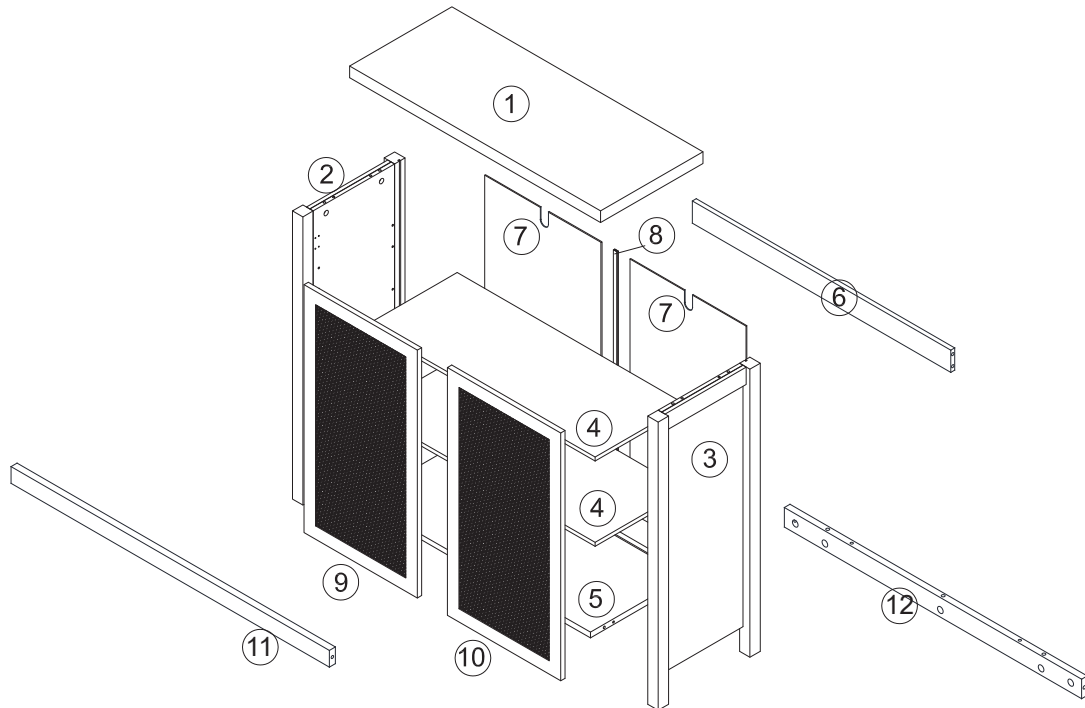
Ins:












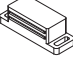
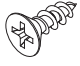


Tik Tok:



Parts List

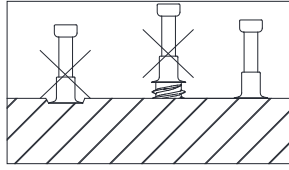
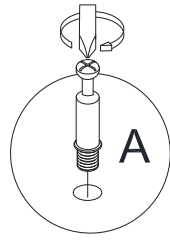


Hardware List

A x20  M6x35	B x20  Ø15x10	C x4 	D x8  M3x12	E x2 	F x2 	G x12 
H x16  M3x16	I x14  Ø6x30	Jx2 	K x24  M4x12	L x4 	M x8 	

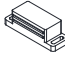
Code	Description	Quantity	Code	Description	Quantity
A	M6*35mm Cam bolt	20	N	M4x12mm Screw	2
B	Ø15x10mm Cam lock	20	O	M4x35mm Screw	2
C	Door catch plate	4	P	Anti-tip	2
D	M3x12mm Screw	8			
E	Wall anchor	2			
F	Handle	2			
G	Back clip	12			
H	M3x16mm Screw	16			
I	Ø6x30mm Wood dowel	14			
J	Magnetic Door Catc	2			
K	M4x12mm Screw	24			
L	Hinge	4			
M	Metal Pin	8			

Step 1



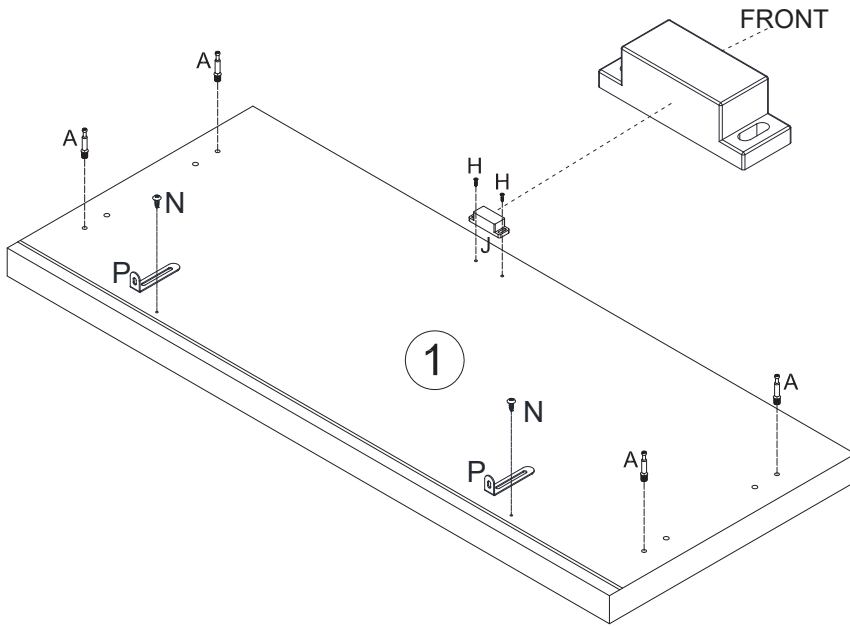
A  X 4

H  X 2

J  X 1

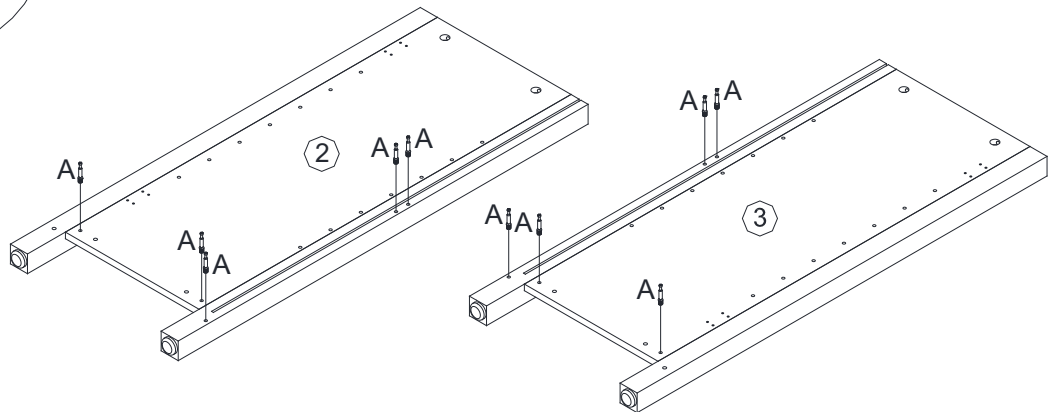
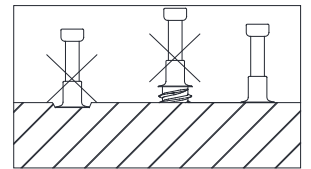
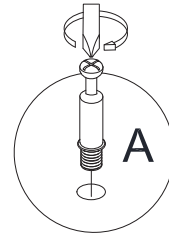
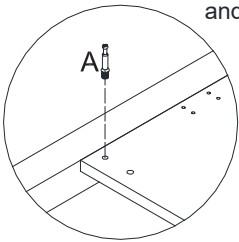
N  X 2


P  X 2



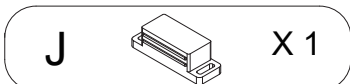
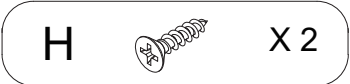
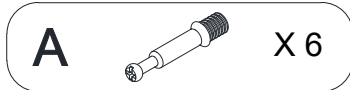
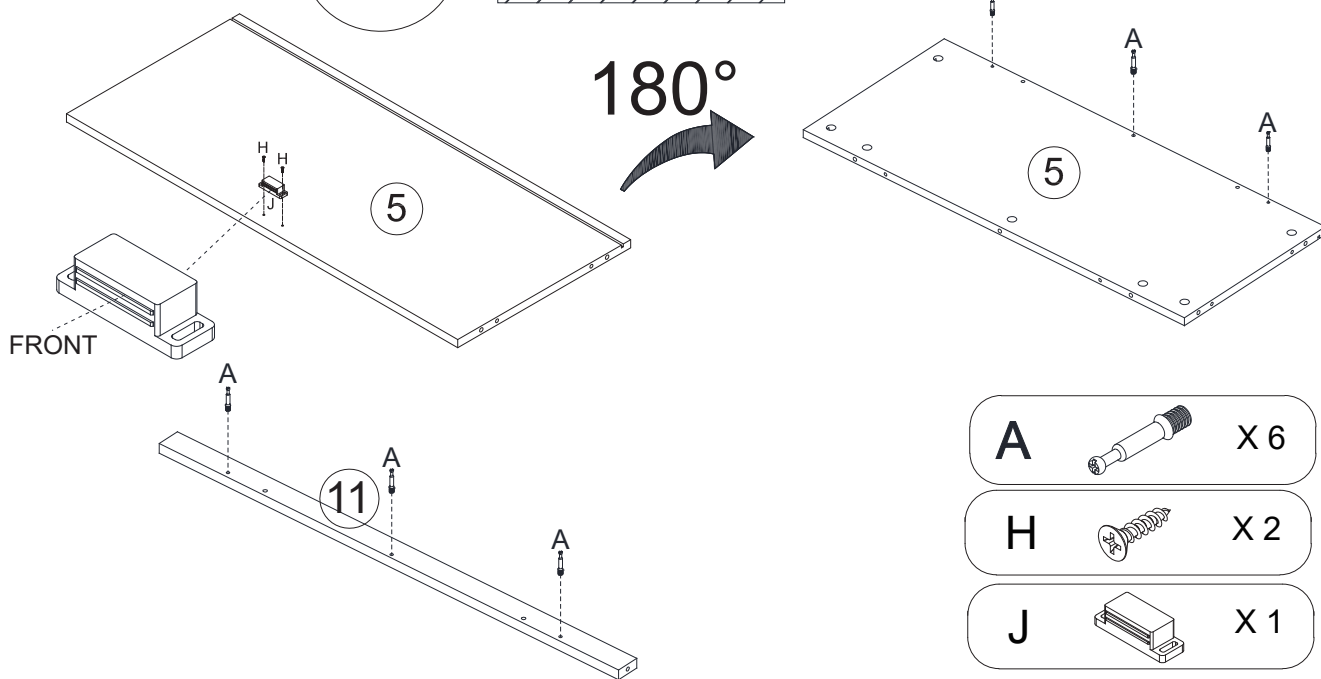
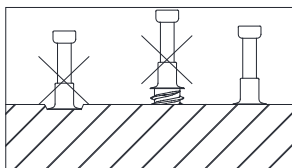
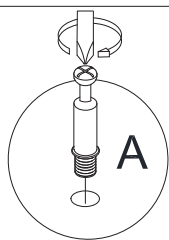
Step 2

Prompt: The lock rod shall be vertical to the lock plate, and it shall be screwed out if the lock is deviated.

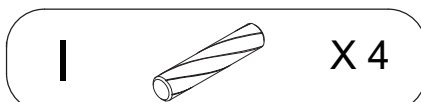
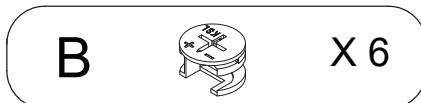
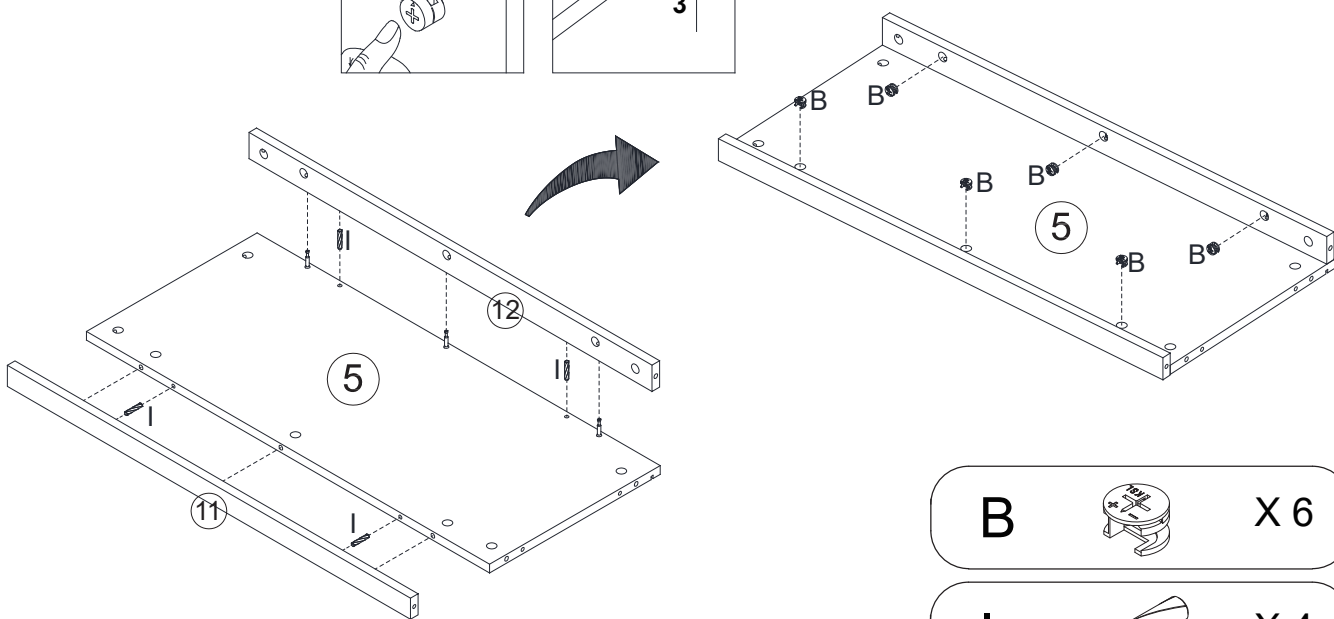
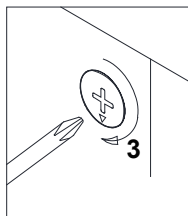
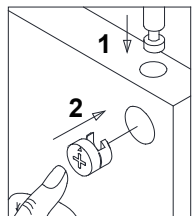


A  X 10

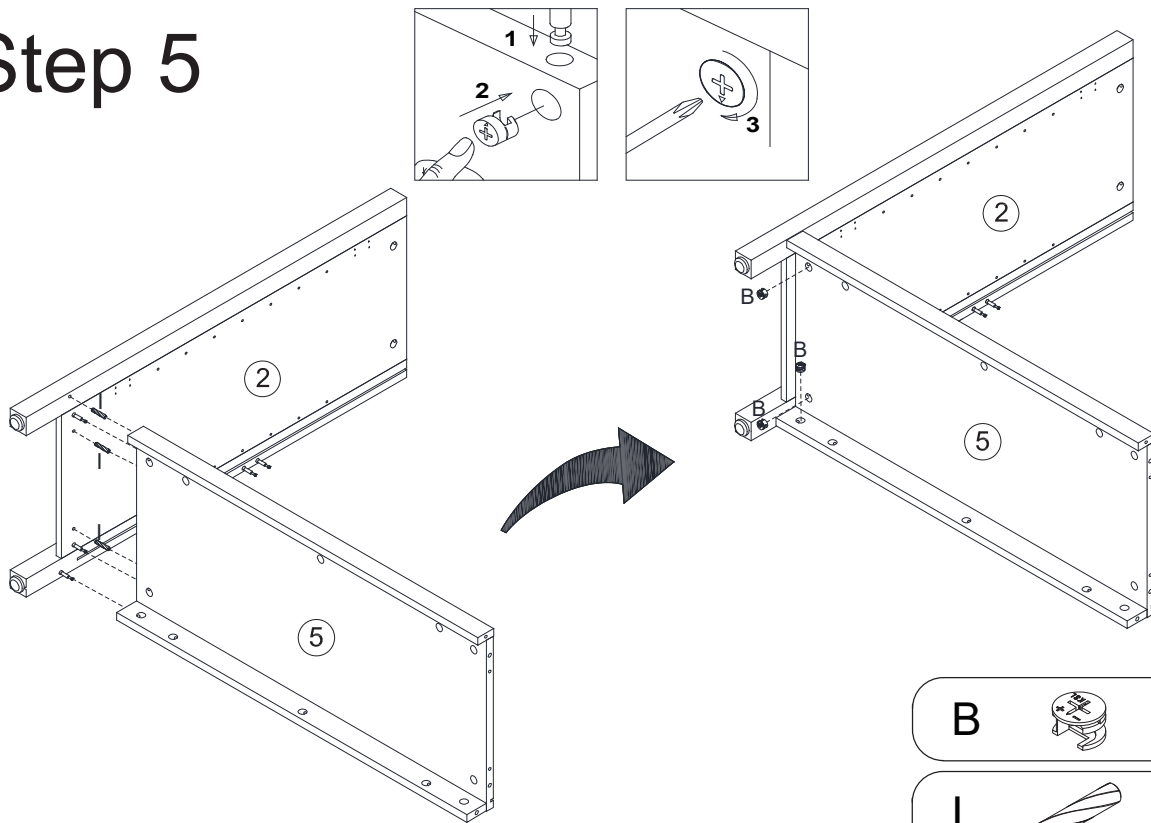
Step 3


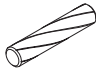


Step 4

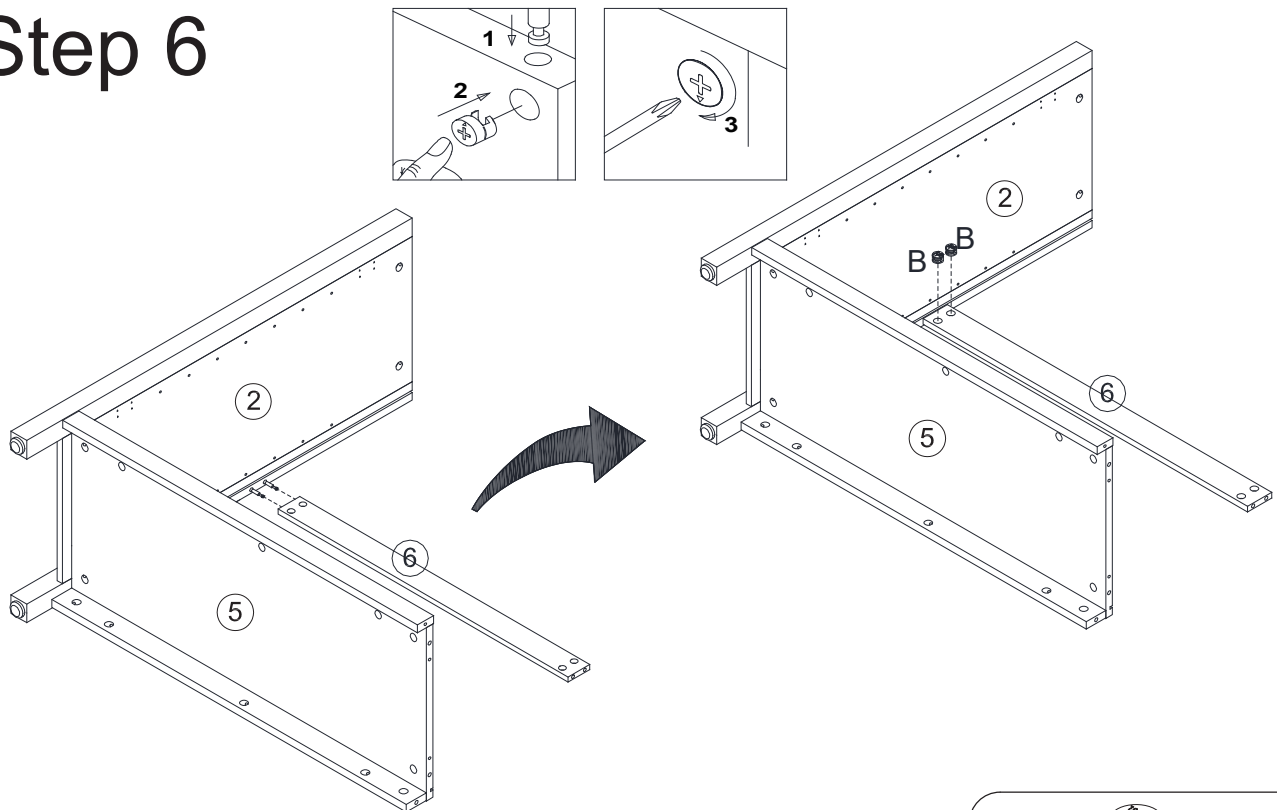



Step 5



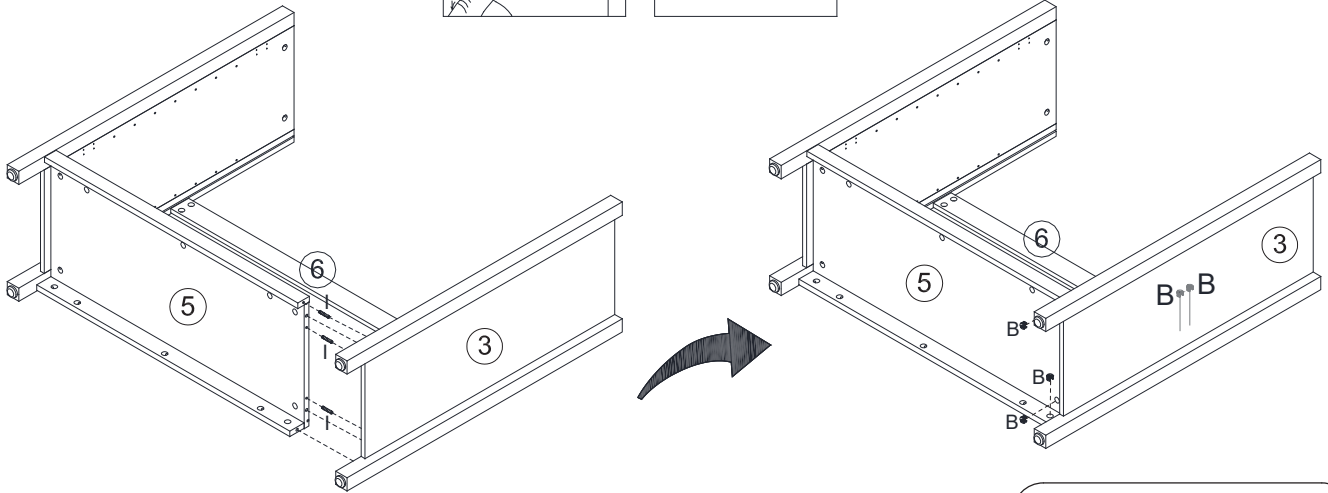
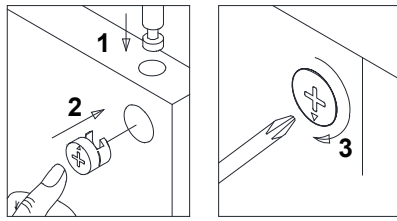
- B**  X 3
- I**  X 3


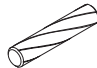
Step 6



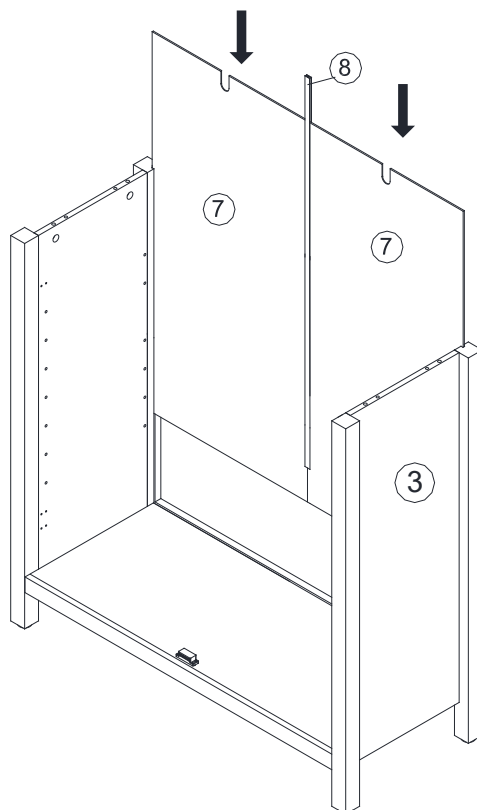
- B**  X 2

Step 7

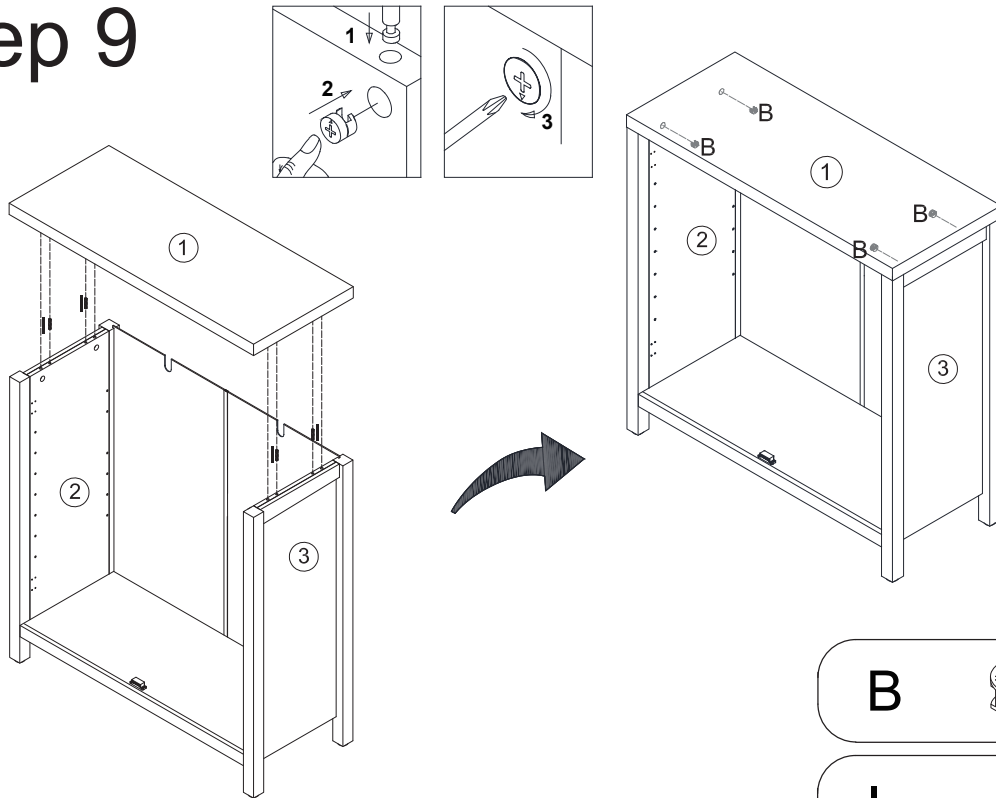


- | | | |
|----------|---|-----|
| B |  | X 5 |
| I |  | X 3 |

Step 8



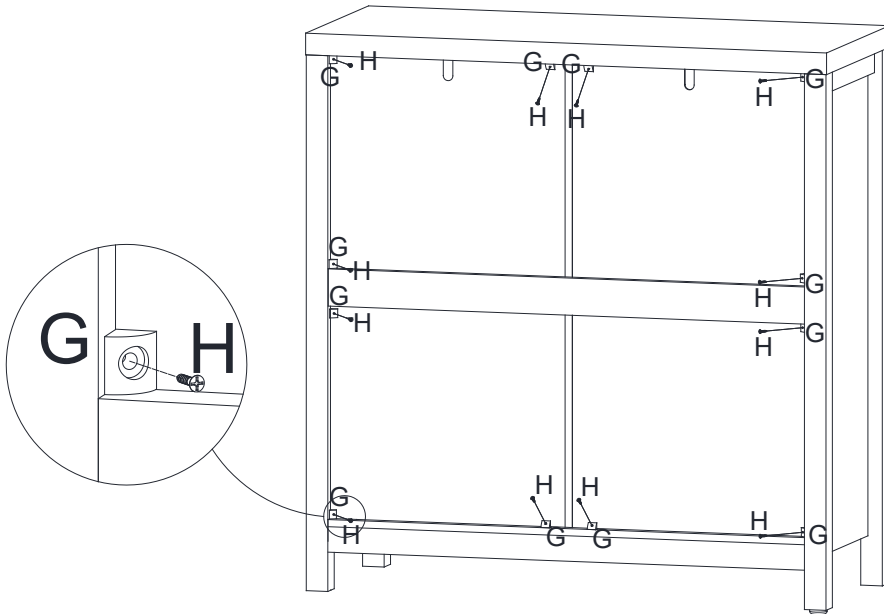
Step 9



B  X 4

I  X 4

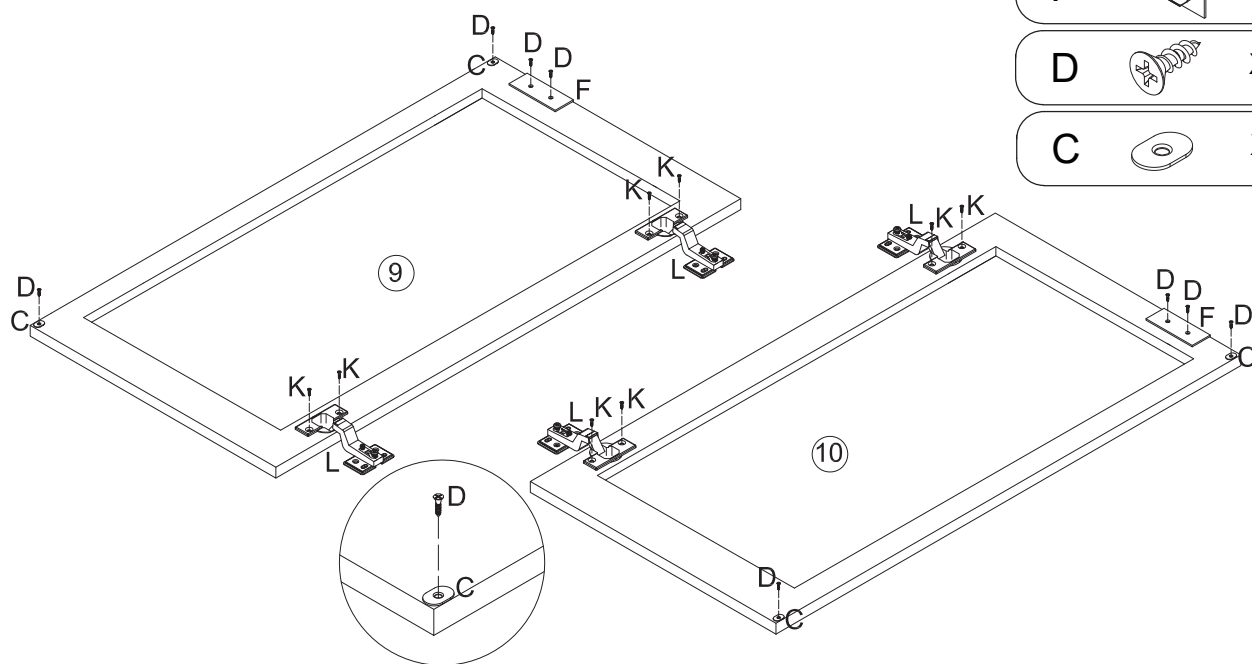
Step 10



G  X 12


H  X 12


Step 11



L  X 4

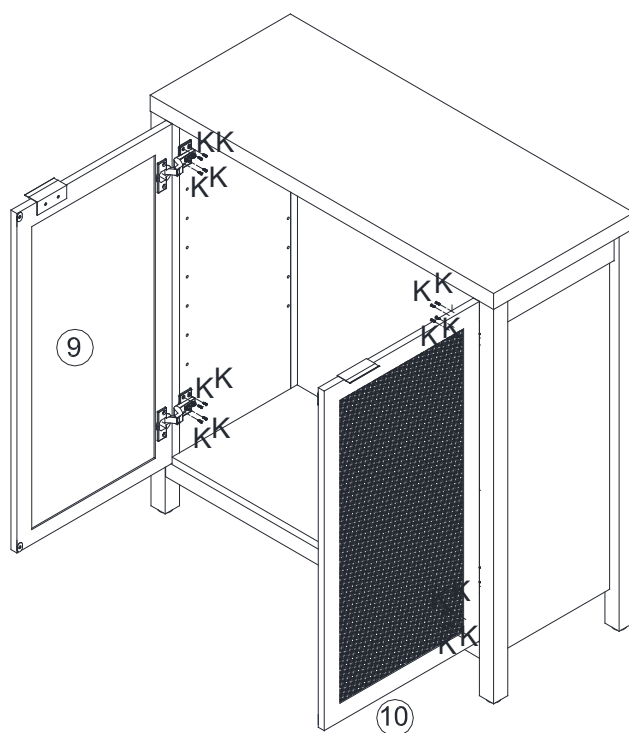
K  X 8


F  X 2

D  X 8

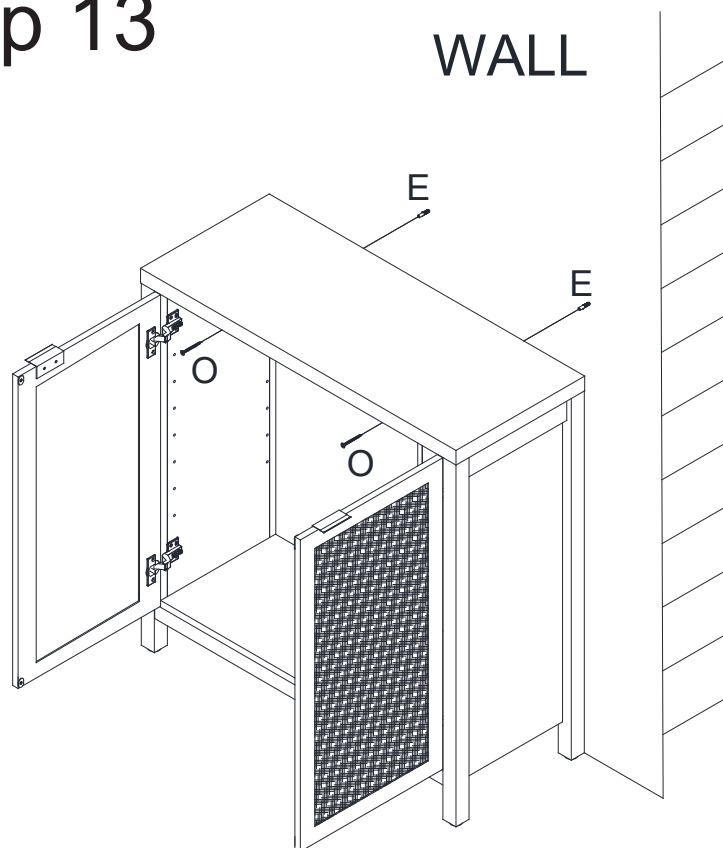
C  X 4

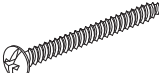
Step 12

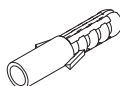


K  X 16

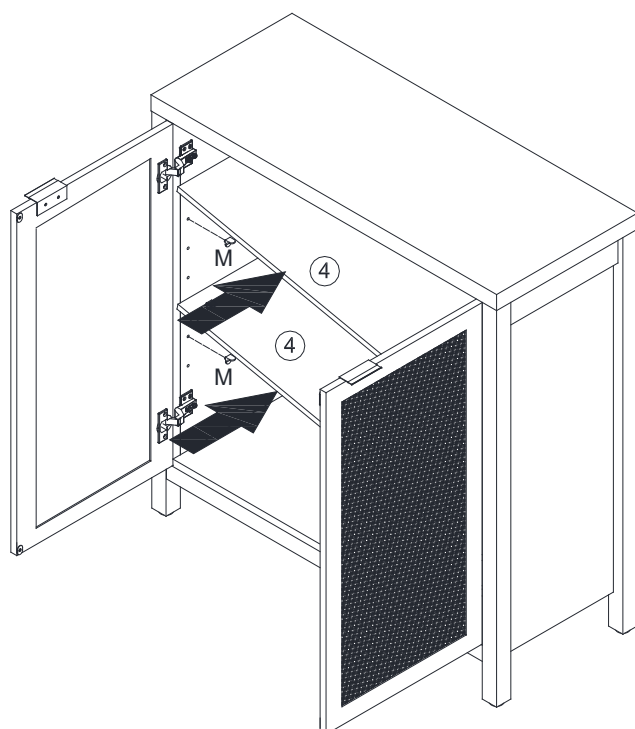
Step 13



O  X 2

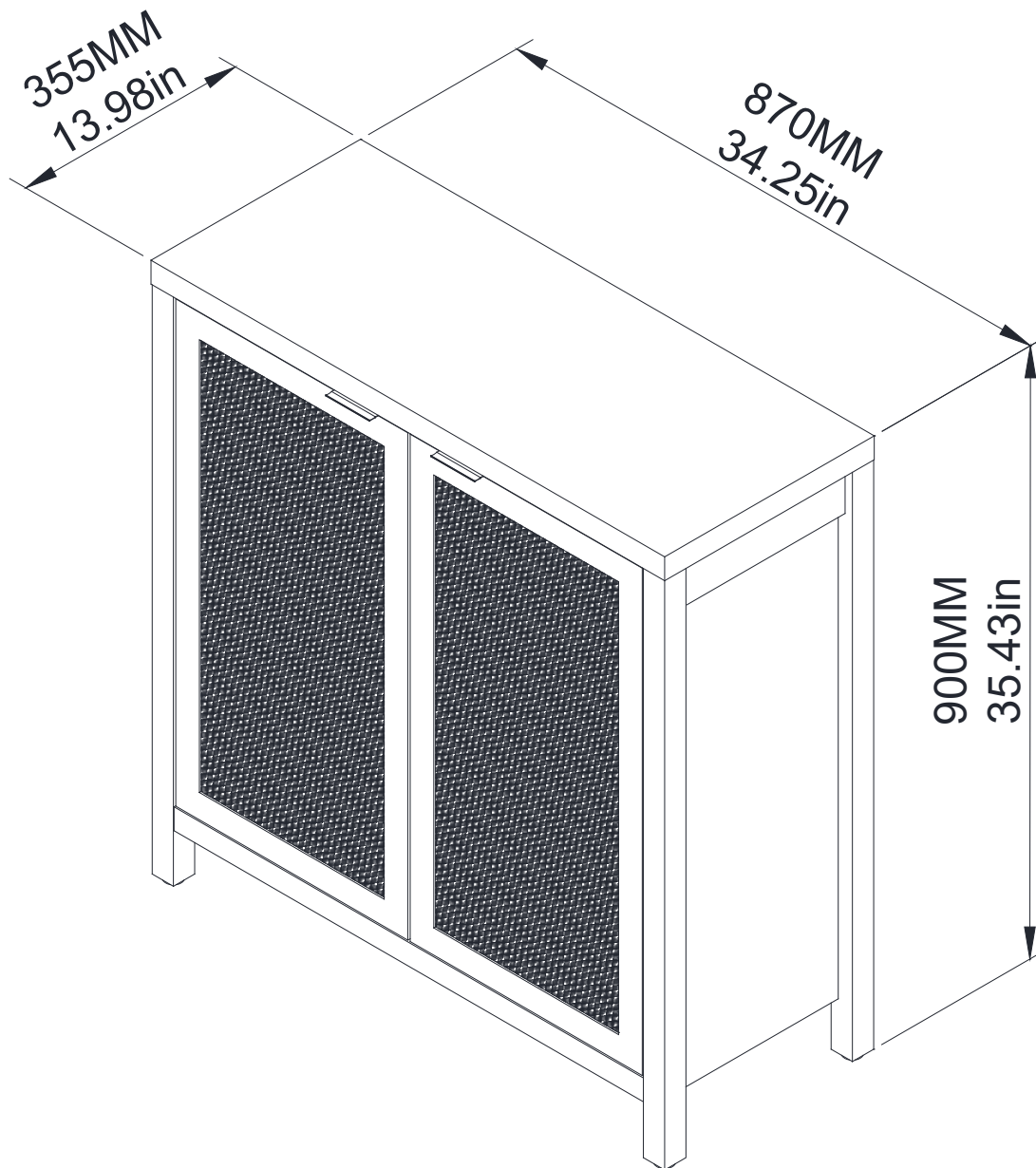
E  X 2

Step 14



M  X 8

Step 15

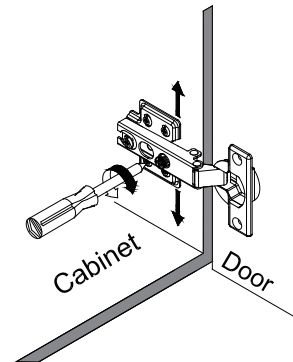
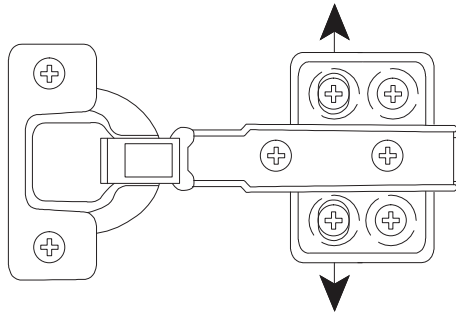
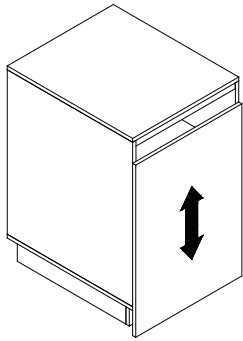


Final assmebly

Cabinet Door Adjustment Instructions

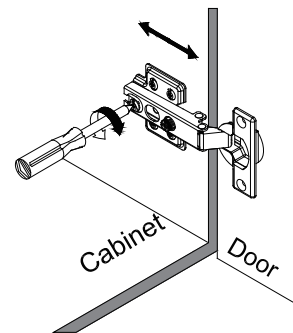
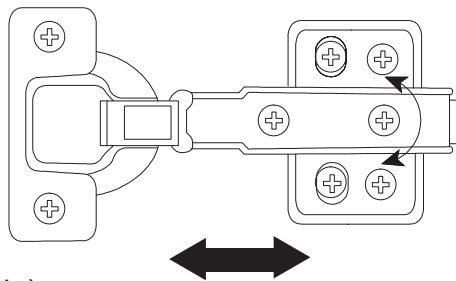
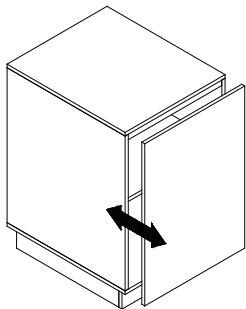
Height adjustment:

- Locate the height adjustment screws on the hinge.
- Use the Phillips screwdriver to either tighten or loosen the screws to raise or lower the cabinet door as desired.



Side-to-side adjustment:

- If the cabinet door needs to be moved closer to or away from the cabinet frame, locate the side-to-side adjustment screws on the hinge.
- Use the Phillips screwdriver to adjust these screws and gradually move the door in the desired direction.



Depth adjustment (if applicable):

- Check if the cabinet door needs to be brought closer to or further away from the cabinet frame.
- For-depth adjustment, locate the depth adjustment screws on the hinge.
- Use the Phillips screwdriver to turn these screws clockwise or counterclockwise accordingly.

