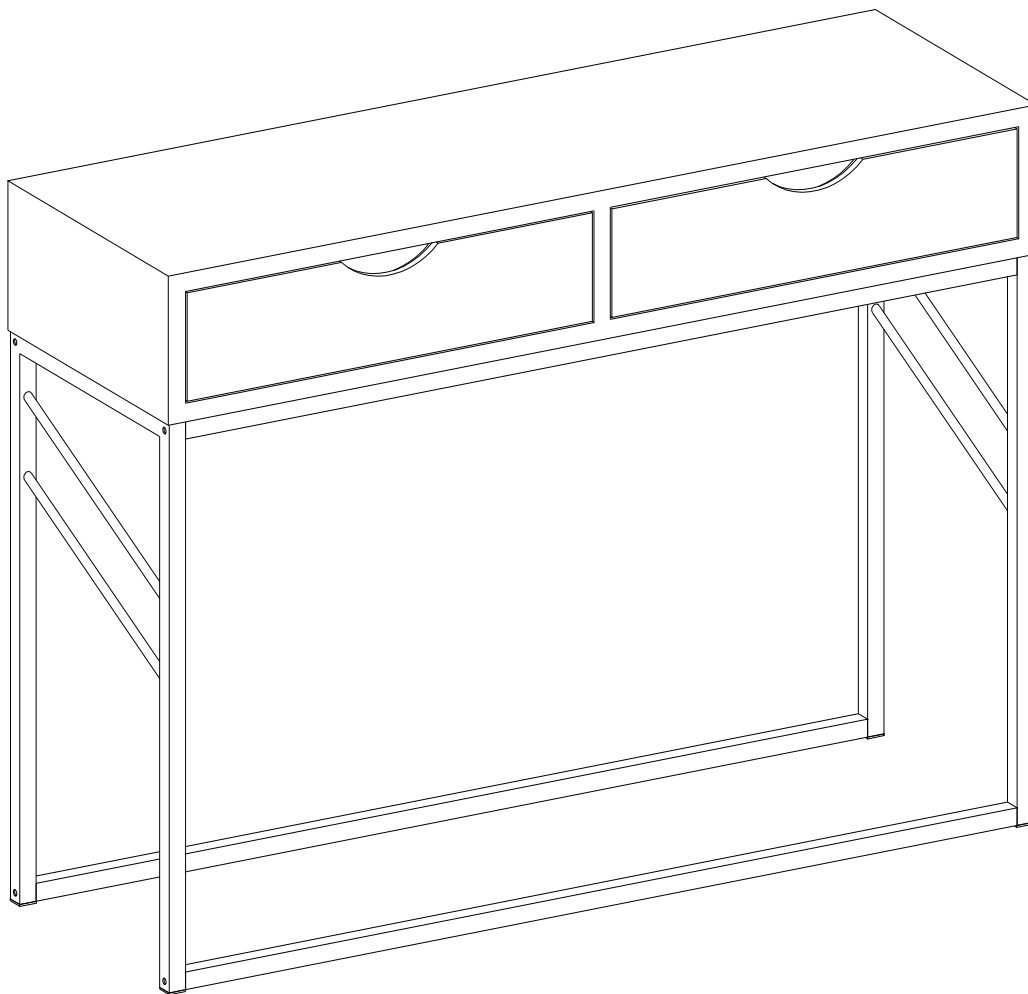
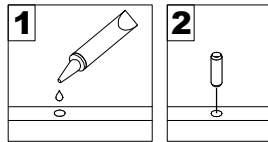


Assembly Instructions

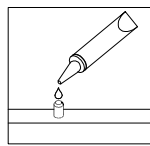


General Assembly Guidelines

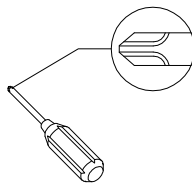
- I. Ensure that all parts and hardware are available before beginning assembly.
- II. Follow each step carefully to ensure the proper assembly of this product.
- III. Two people are recommended for ease in the assembly of this product.
- IV. The three main types of hardware used to assemble this product are: wood dowels, screws and bolts.
- V. The provided glue is to secure wood dowels in place. When first inserting dowels, locate the appropriate hole for the dowel, place a small amount of glue in the hole and insert the dowel. Wipe away excess glue immediately.



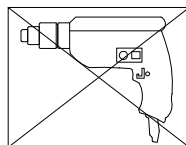
In future assembly steps when dowels are necessary to attach assembly parts together, place a small amount of glue on the end of the dowel before attaching parts together. Wipe away excess glue immediately.



- VI. A Phillips head screwdriver is required for the assembly of this product .

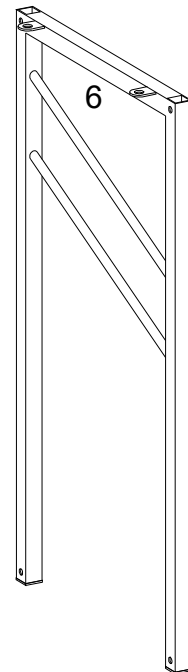
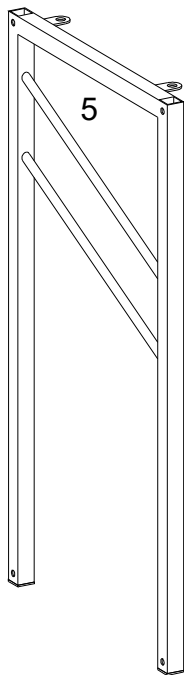
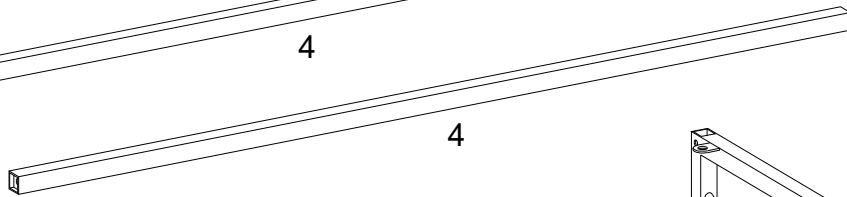
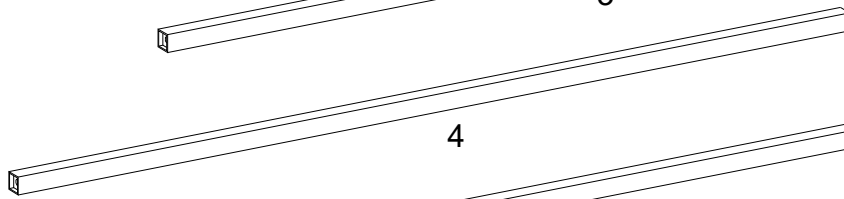
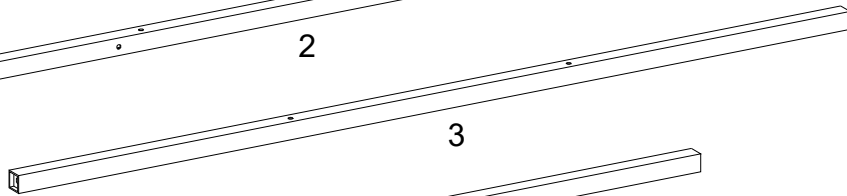
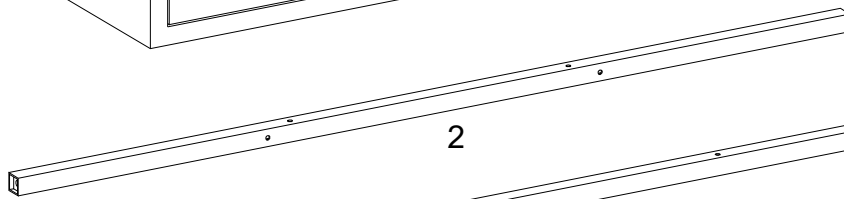
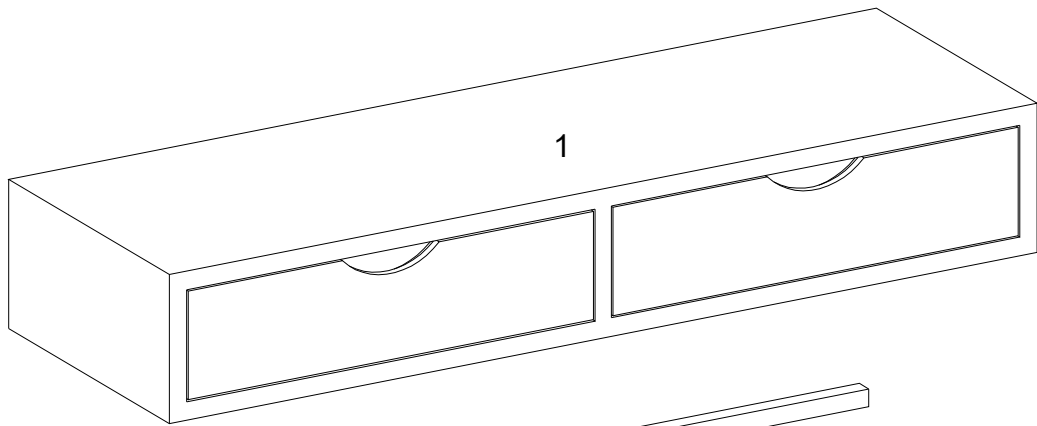


- VII. Power tools should not be used to assemble this product.


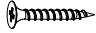



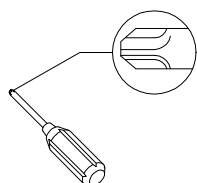
- VIII. Drill may be needed for securing product to wall.

Parts List



Hardware List

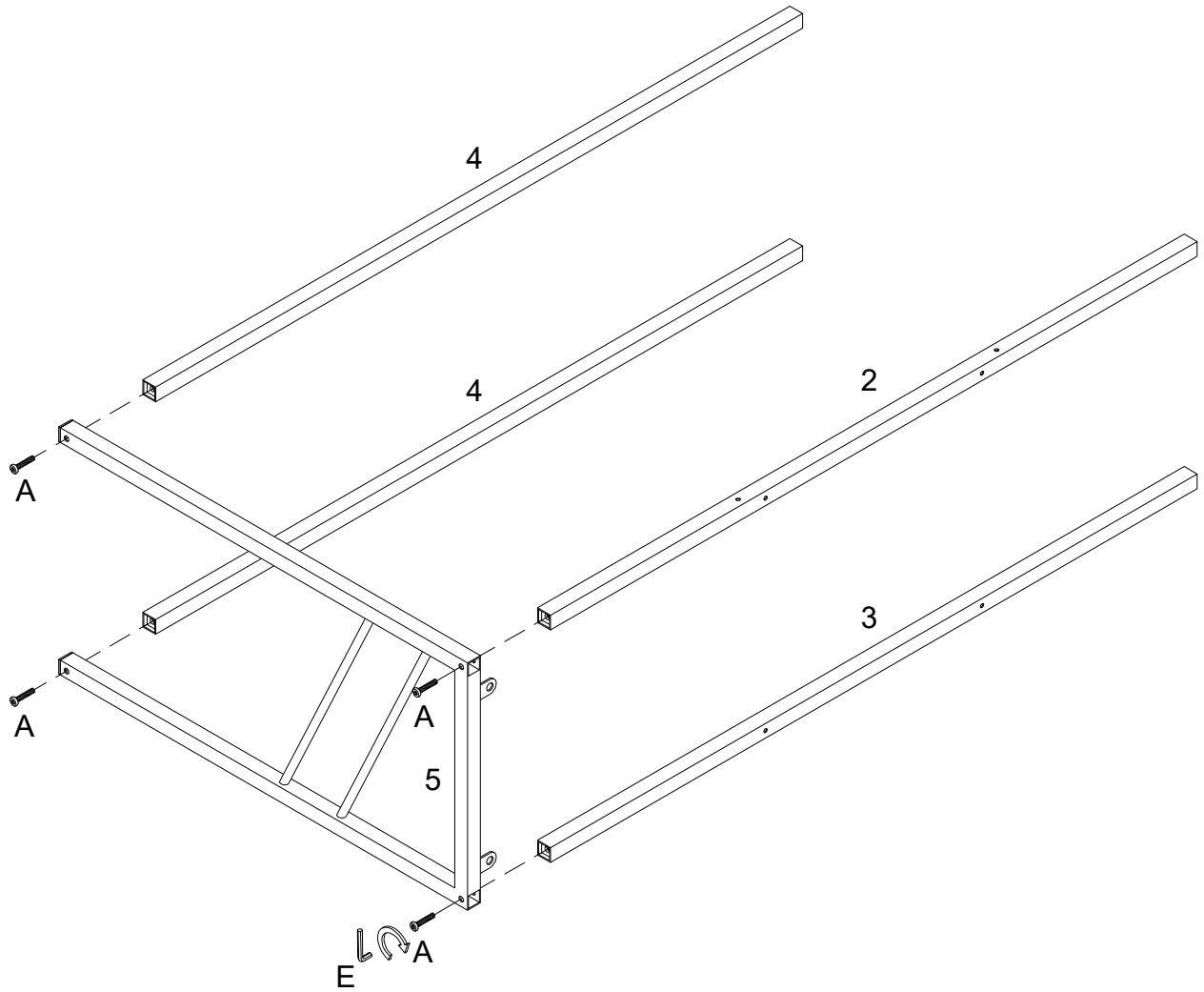
A		M6x35mm	Bolt	8 pcs
B		M6x20mm	Bolt	4 pcs
C			Flat washer	4 pcs
D		Ø4x30mm	Screw	4 pcs
E		M 4	Hex key	1 pc
F		Ø4x45mm	Screw	2 pcs
G			Nut	2 pcs



Philips head screwdriver required for assembly
(not included)

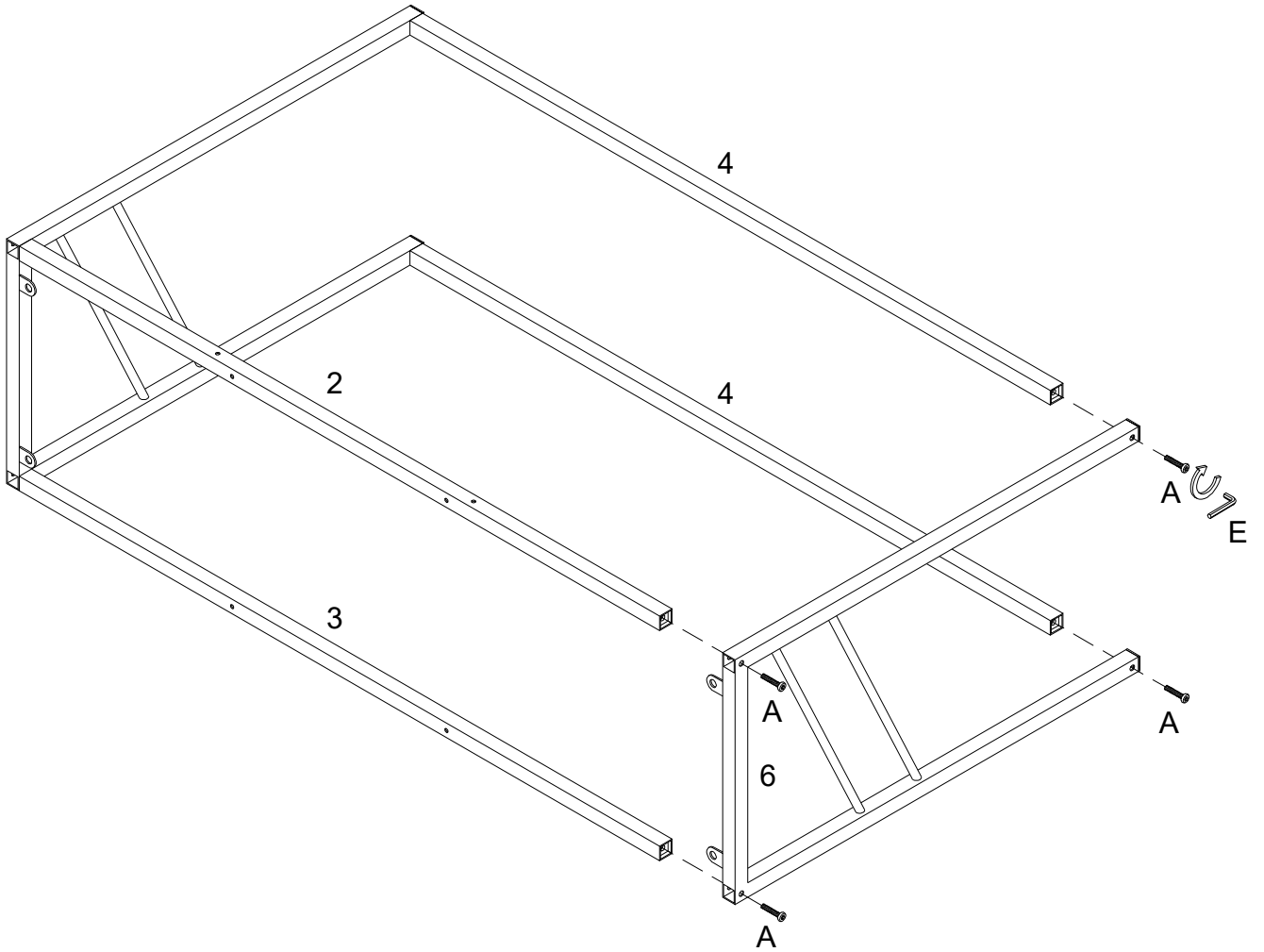
*The hardware quantities listed above are required for proper assembly.
Some extra hardware may also have been included.*

Step 1



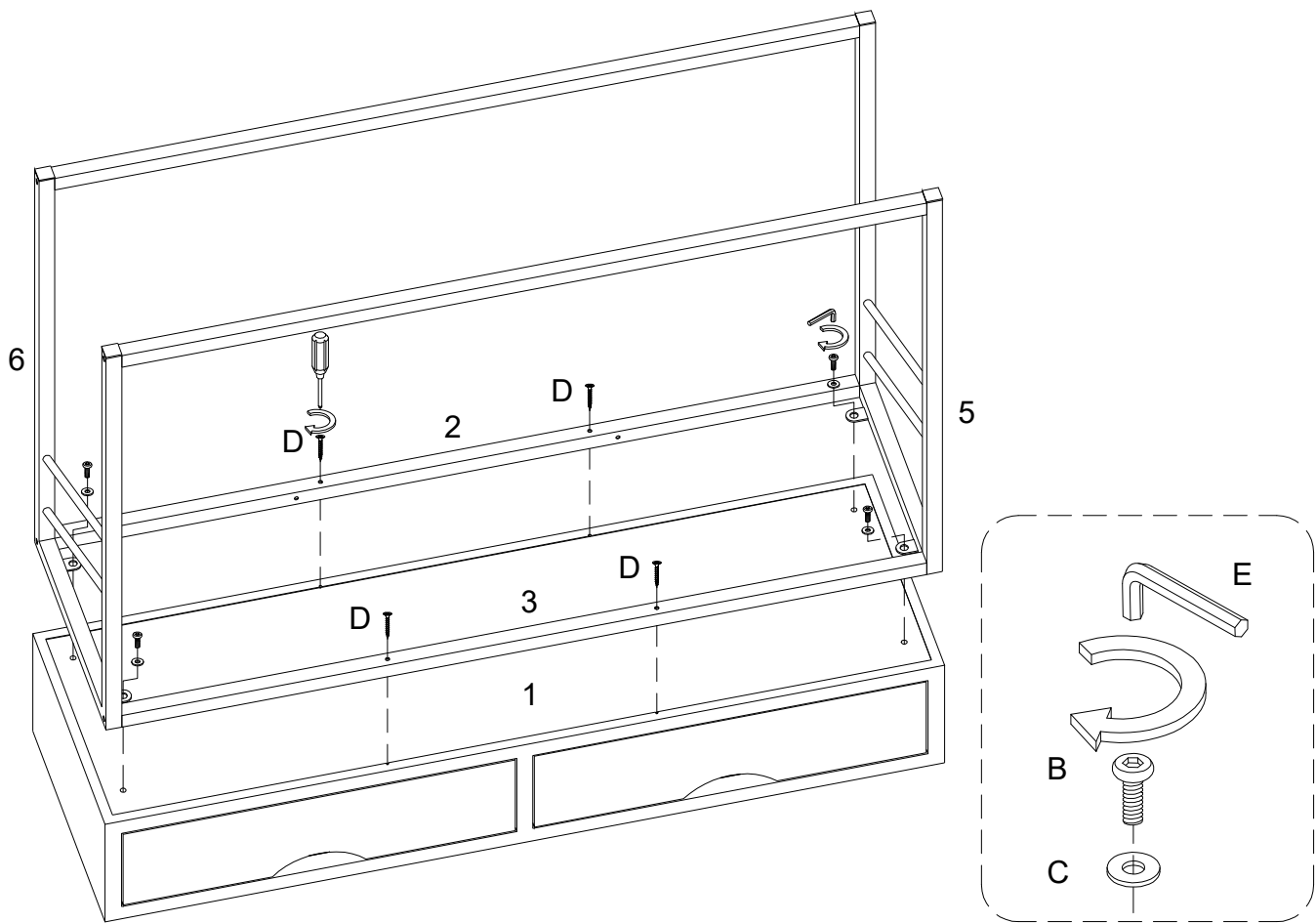
Using bolt (A) attach part (5) to parts (2,3,4) with Hex key (E) as per diagram.

Step 2



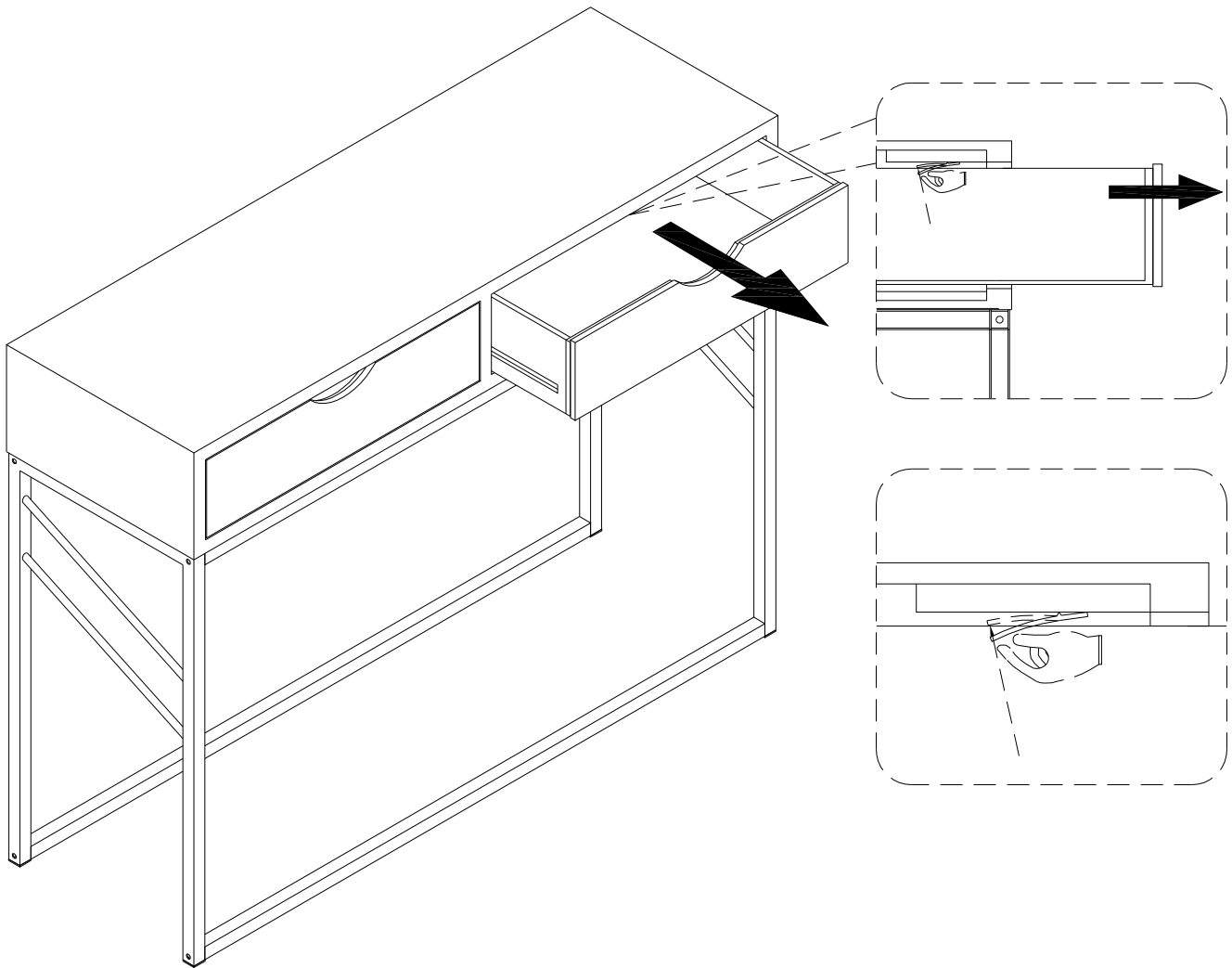
Using bolt (A) attach part (6) to parts (2,3,4) with Hex key (E) as per diagram.

Step 3



Using bolt (B) attach flat washer (C) into parts (5,6) to part (1) with Hex key (E) , then using bolt (D) attach parts (2,3) to part (1) with Philips head screwdriver as per diagram.

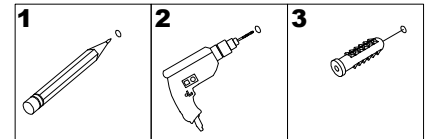
Step 4



If you need to remove the drawer, please pull the drawer forward with one hand, and press up the plastic stopper with another hand, then you can take drawer out easily as per diagram. Don't be too fast to avoid getting caught.

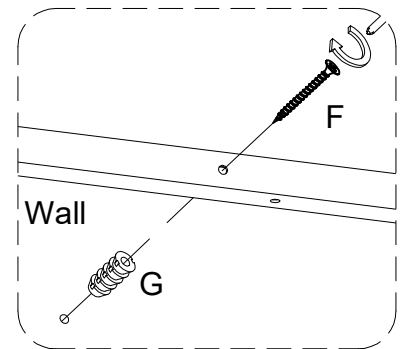
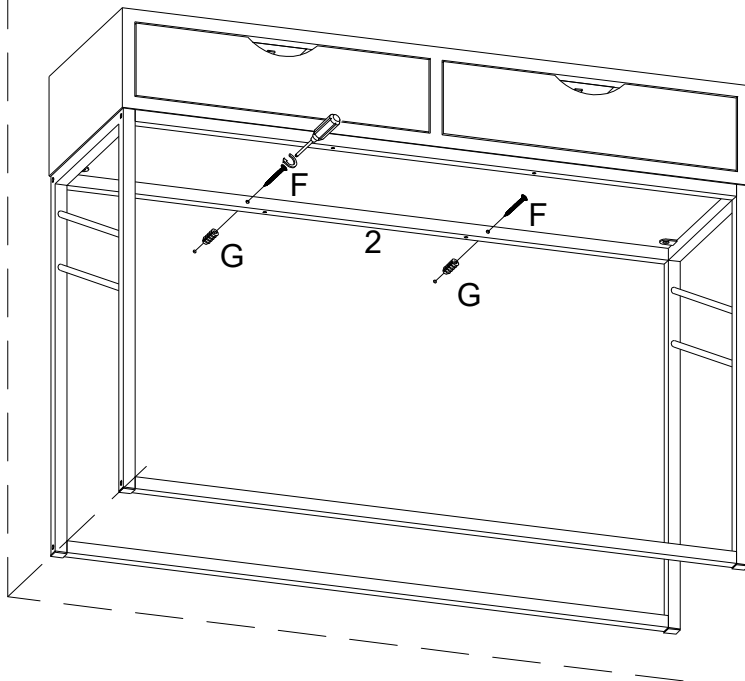
Step 5

WARNING



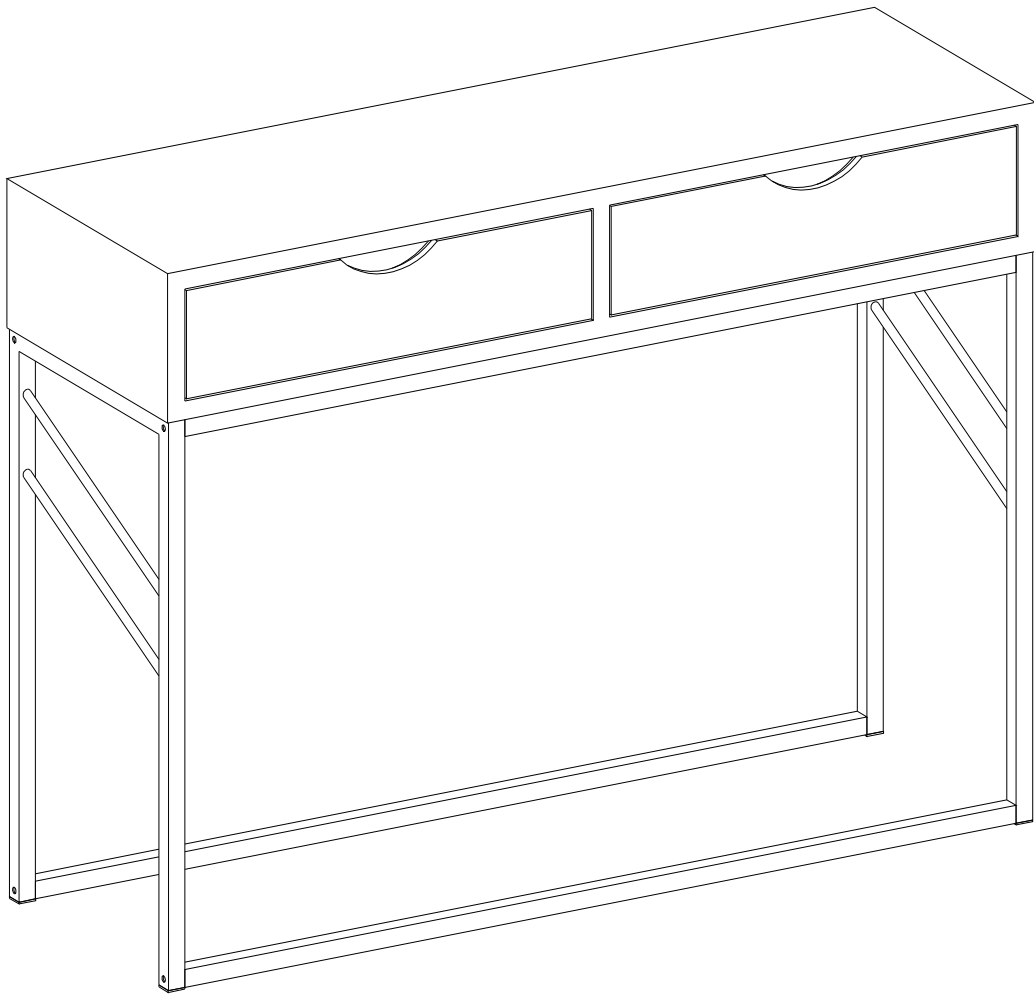
Serious or fatal injuries can occur from furniture tipping over. To prevent the furniture from tipping over we recommend that it is permanently fixed to the wall. Wall anchor and hardware are included with this product. Please make sure hardware is suitable for your walls before installing, as different wall materials may require different types of anchors.

Wall



Using screw (F) insert part (2) to Nut (G) wall with Philips head screwdriver as per diagram.

Step 6



Final Assembly