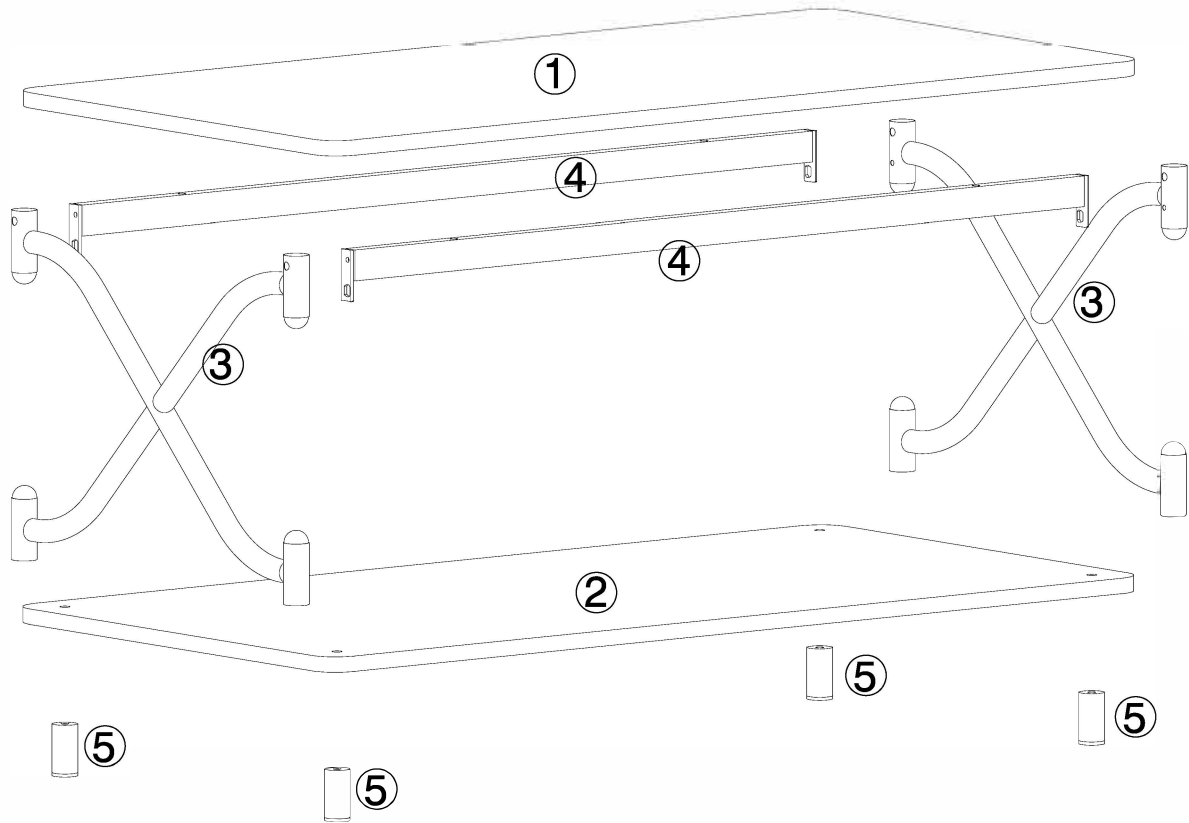
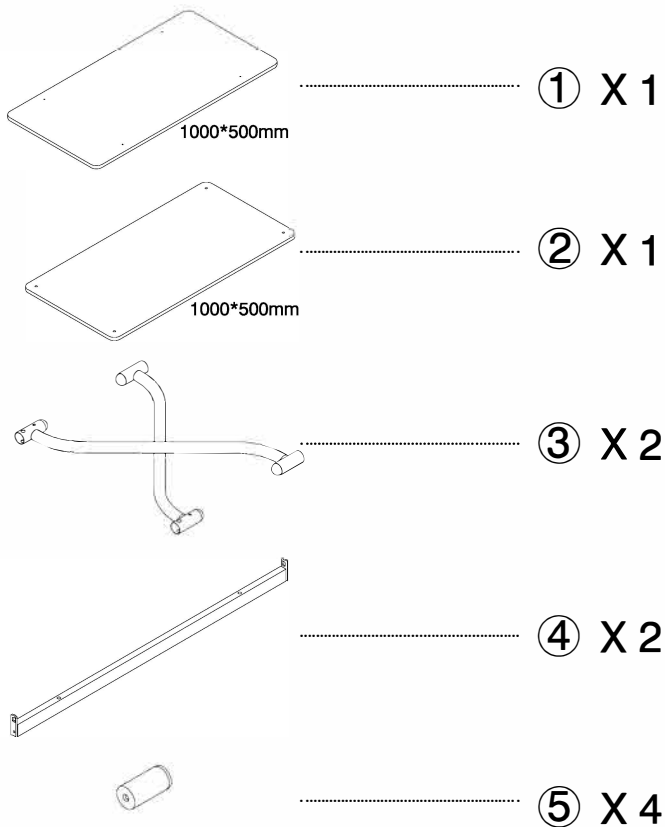






Tea Table Installation Manual



Componets



Screws&Tolls

A		M6*12mm	X 4
B		M6*38mm	X 8
C		M8*40mm	X 4
D		4mm	X 1

Return Policy

We believe you will absolutely love your new item. But if for some reason you want to return, please contact us directly before you decide to return your product. Our customer service organization can answer most concerns and assist you with any questions you may have about your new item, please email us first
The item must be returned within 30 days of delivery for a full refund. The item must be returned in good condition, in original box, with all original proof of purchase, parts and accessories.

