



**Undertone®**  
Undermount utility sink  
**K-6661**

**Features**

- 27" (686 mm) minimum base cabinet width.
- Single bowl.
- 11-1/4" depth provides generous workspace.
- Rear drain increases workspace in the sink and storage space underneath.
- Includes installation hardware.

**Material**

- Premium 18-gauge stainless steel.

**Installation**

- Undermount.

**Recommended Products/Accessories**

- K-8801 Sink drain and strainer with tailpiece
- K-8799 Sink drain and strainer basket
- K-23726 Drain treatment
- K-23729 Stainless steel cleaner

**Optional Products/Accessories**

- K-11352 Disposal Flange with Stopper

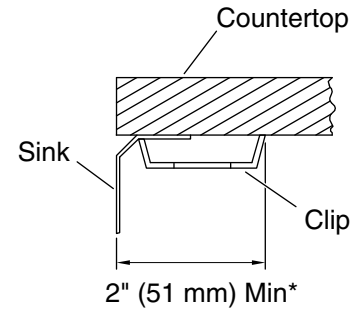
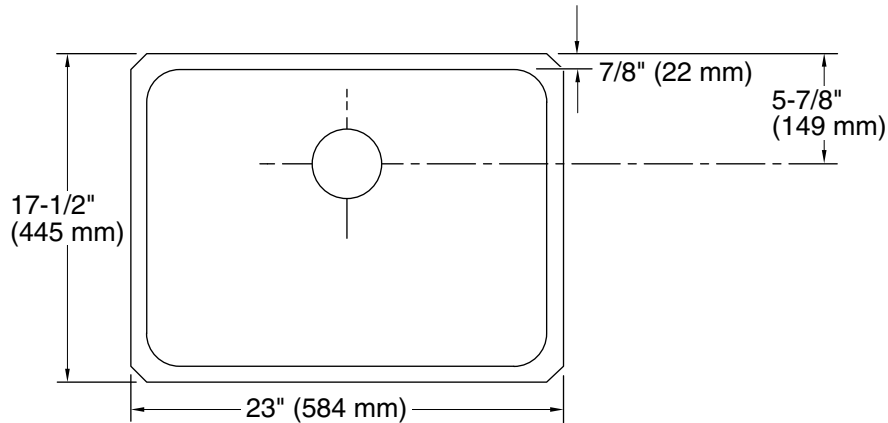


**Codes/Standards**

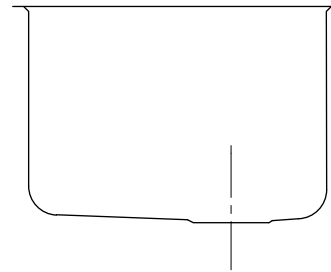
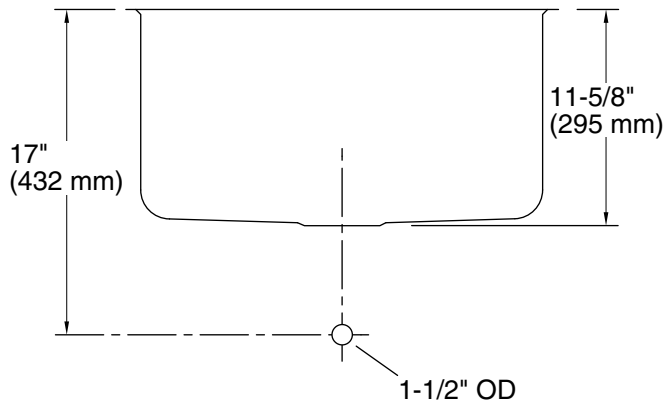
ASME A112.19.3/CSA B45.4

**Lifetime Limited Warranty for  
KOHLER® Stainless Steel Sinks**

See website for detailed warranty information.



\* Allow clearance around sink rim for clip attachment.



### Technical Information

All product dimensions are nominal.

|                          |  |
|--------------------------|--|
| Installation:            | Under-mount  |
| Min. base cabinet width: | 27" (686 mm)   |
| Bowl area (Only):        | Length: 21-1/4" (540 mm)<br>Width: 15-3/4" (400 mm)<br>Bowl depth: 11-5/16" (287 mm)<br>Water depth: 11-5/16" (287 mm) |
| Template:                | 113193-7, required, included   |

### Notes

Install this product according to the installation instructions.