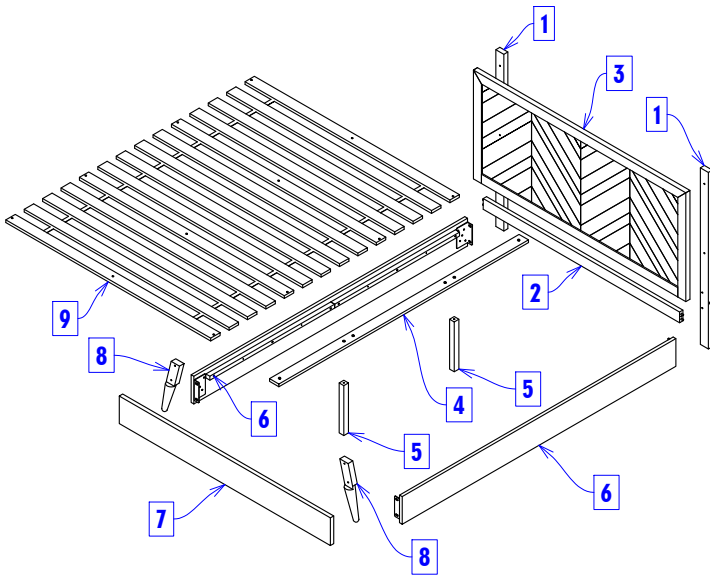


ASSEMBLY INSTRUCTIONS

Queen Bed

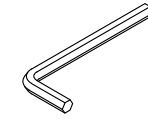
Important :
Assembly and installation must be performed by 2 adults

PARTS



HARDWARE

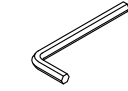
a. Bolt M8x20
8 pcs



d. Allen Key 4
1 pc

g. Washer M8
8 pcs

b. Bolt M6x40
14 pcs

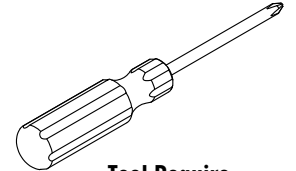


e. Allen Key 5
1 pc

c. Bolt M6x60
2 pcs

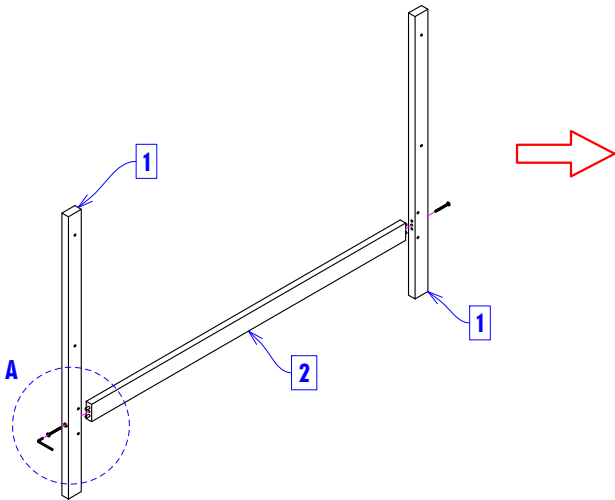


f. Screw
8 pcs

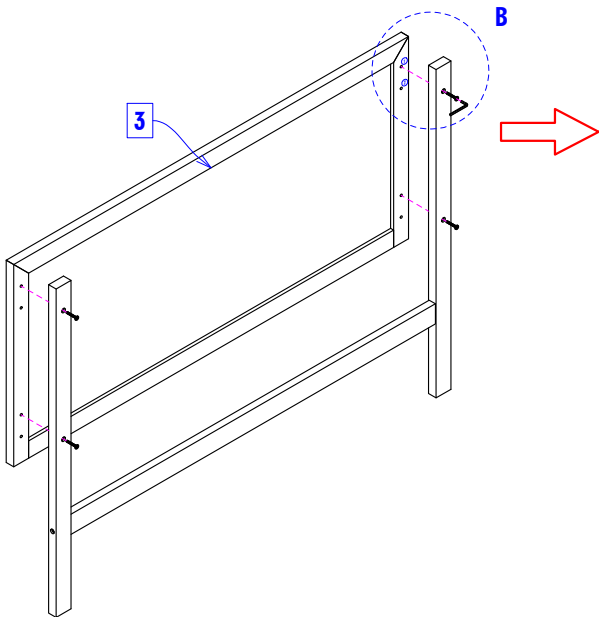


Tool Require
Screw Driver
(NOT PROVIDED)

STEP 1



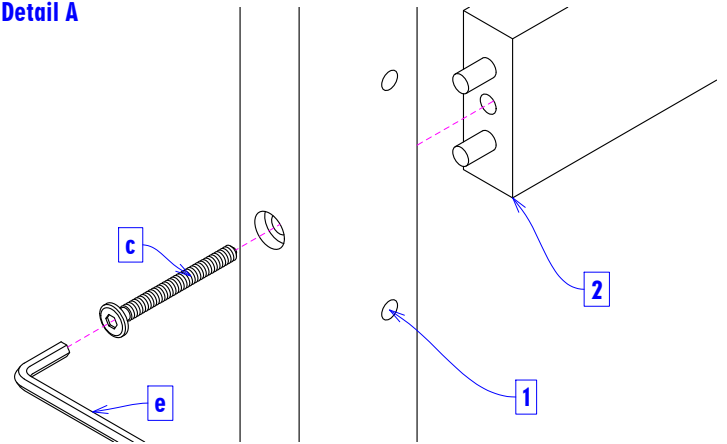
STEP 2



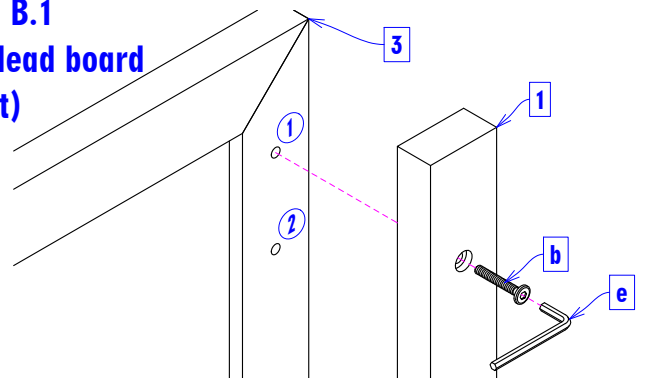
Note :

B.1 = Insert the Bolt (b) into hole (1) for 45" Headboard height
B.2 = Insert the Bolt (b) into hole (2) for 48" Headboard height

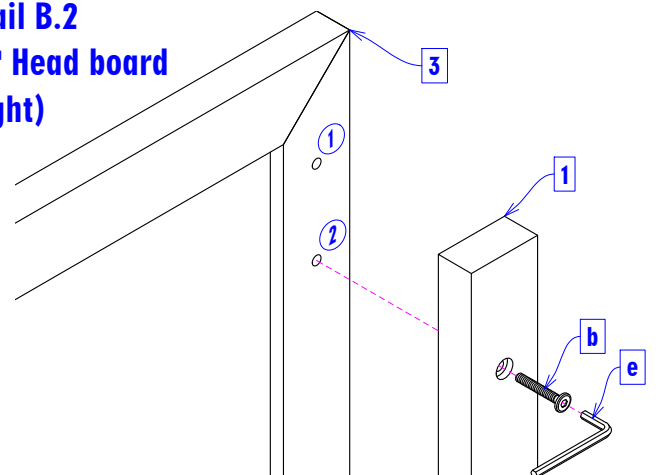
Detail A



Detail B.1 (45" Head board Height)



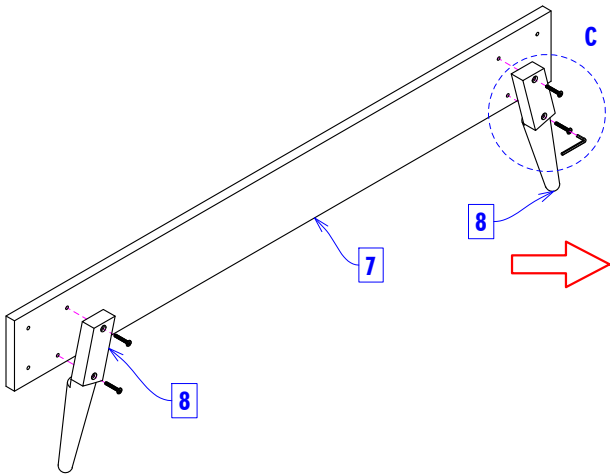
Detail B.2 (48" Head board Height)



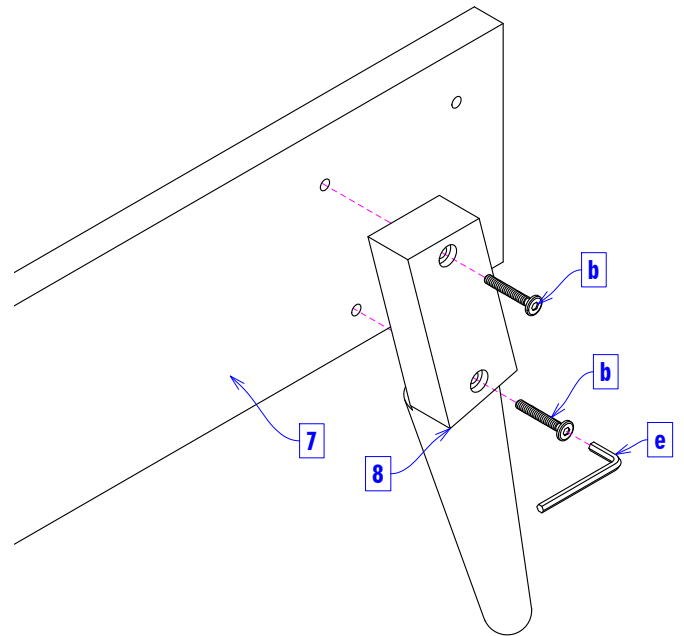
ASSEMBLY INSTRUCTIONS

Important :
Assembly and installation must be performed by 2 adults

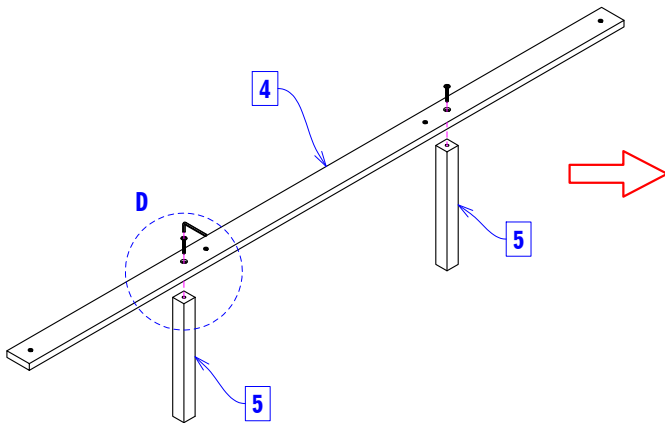
STEP 3



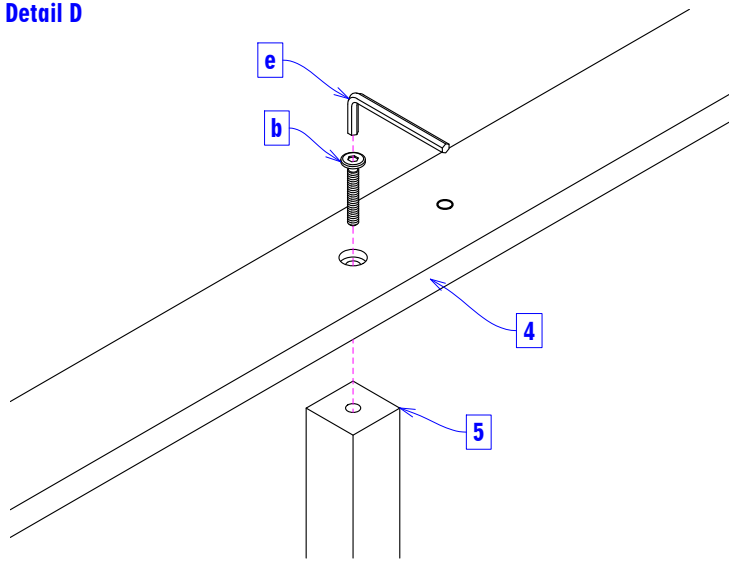
Detail C



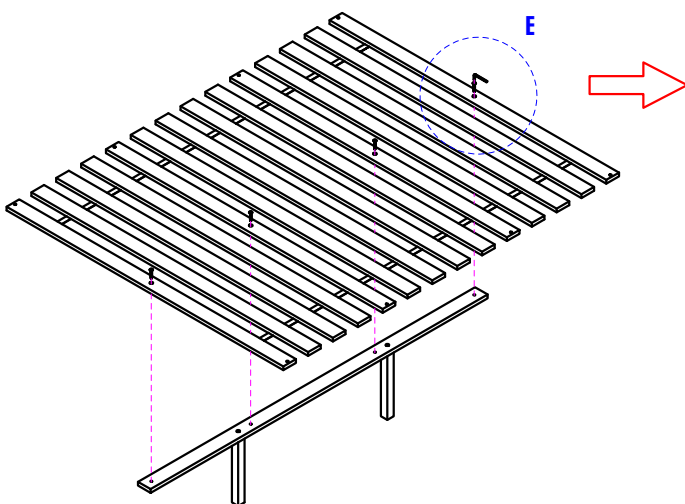
STEP 4



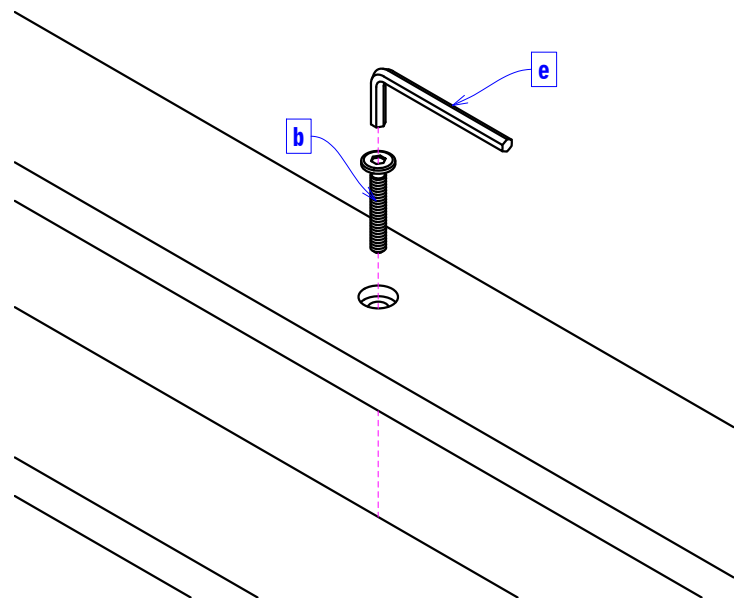
Detail D



STEP 5



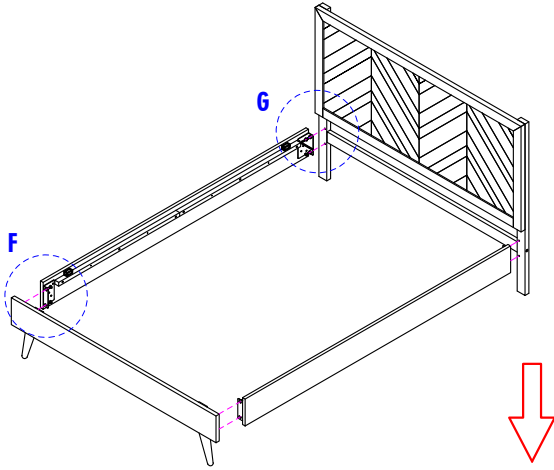
Detail E



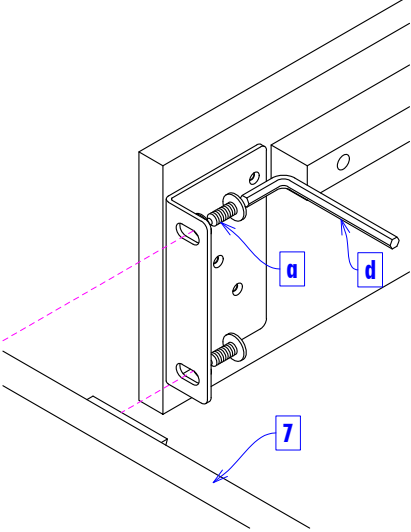
ASSEMBLY INSTRUCTIONS

Important :
Assembly and installation must be performed by 2 adults

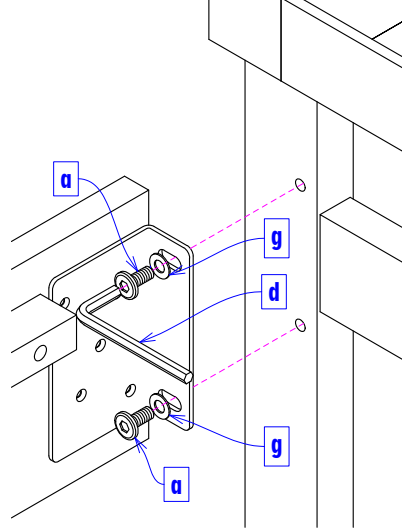
STEP 6



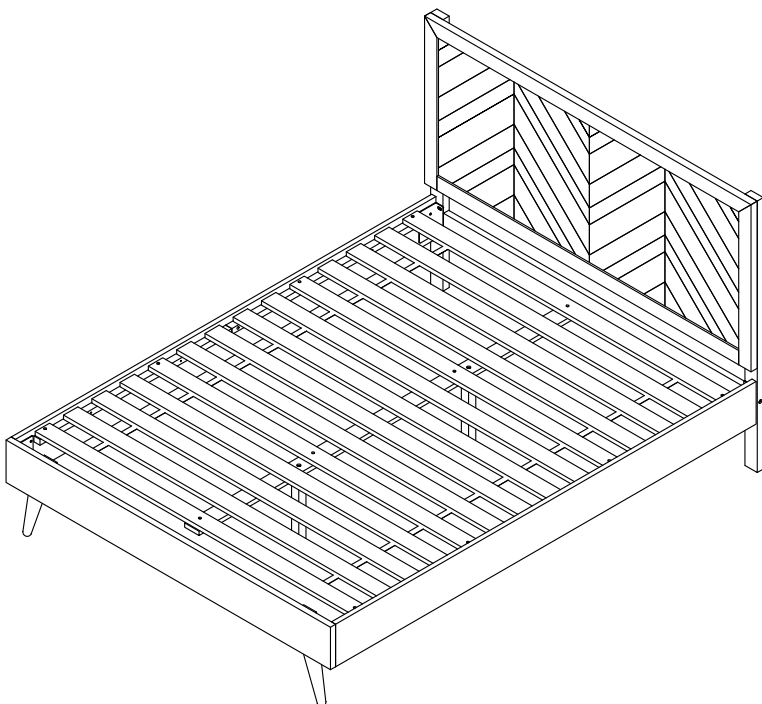
Detail F



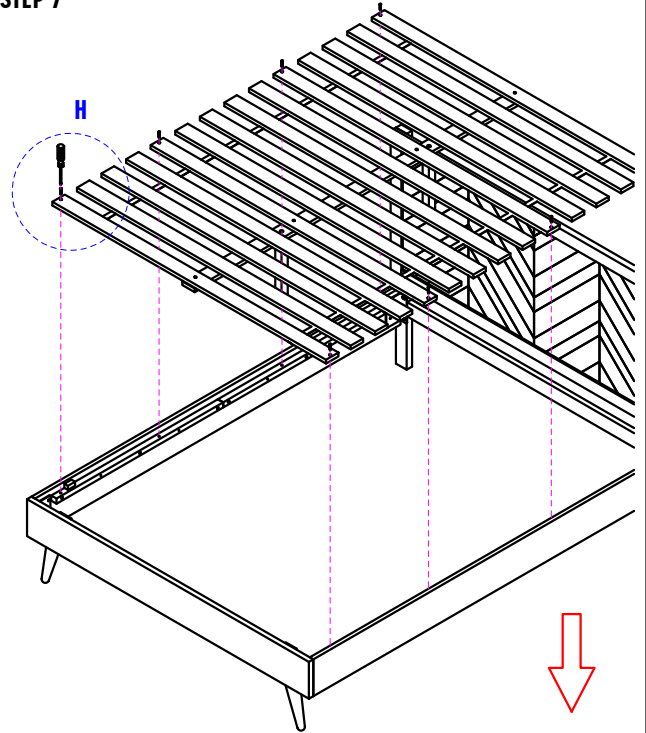
Detail G



Assembly Completed



STEP 7



Detail H

