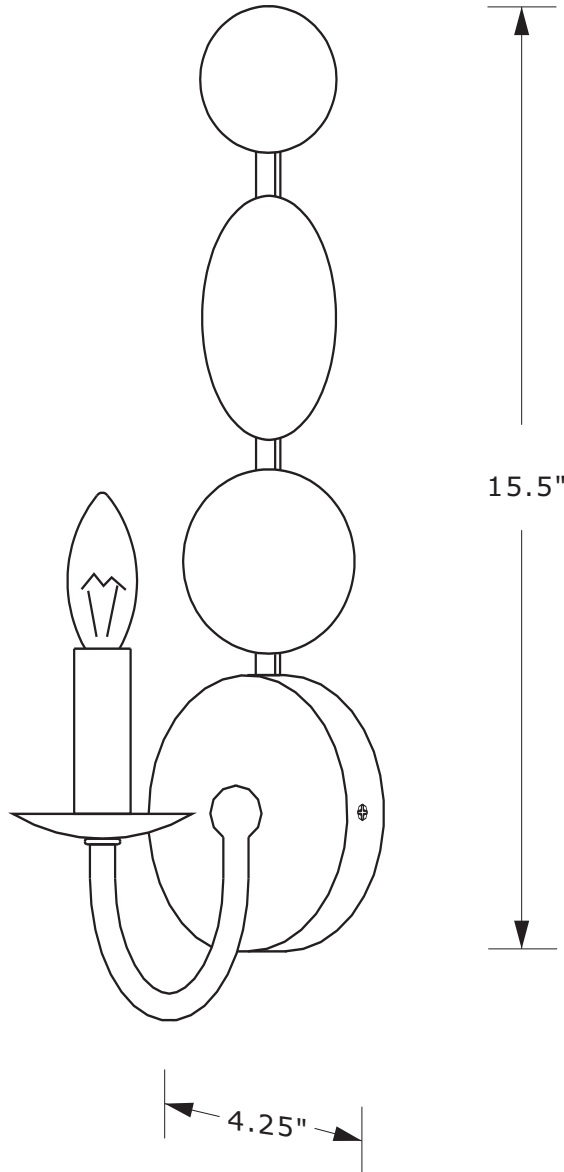
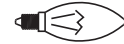


# ASSEMBLY INSTRUCTION



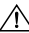
All electrical components must be installed by a licensed electrician in accordance with the National Electric Code and the appropriate local electrical codes.



You will need 1 -Candelabra Base Bulb  
40 Watts Recommended 60 Watts Max.  
USE LED BULBS FOR EXTENDED USE

## How to Install

1. Do a complete inventory of all parts and components before you start installation.
2. Install the backplate into the outlet box, and secure it with the side screws.
3. Place the candle sleeve onto the socket, and insert recommended bulb (not included).

 **WARNING:** This product can expose you to Lead, which is known to the State of California to cause cancer and/or birth defects or reproductive harm. For more information go to [www.P65Warnings.ca.gov](http://www.P65Warnings.ca.gov).

- A. (1) - Mounting Hardware
- B. (2) - Side Screw
- C. (1) - Metal Frame
- D. (1) - Candle Sleeve(W0.87",H2.76") #XRE541GACDL2.76IN

