



Peak Season

ASSEMBLY INSTRUCTIONS

GARDEN GATE SCREEN

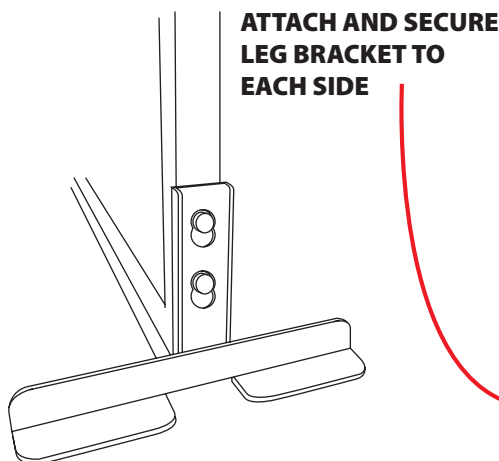
MODEL #: 5709300-0131000

Thank you for purchasing this quality product. Be sure to check all packing materials carefully for small parts that may have come loose inside the carton during shipment. Please read all instructions carefully before starting the assembly process. Perform all assembly steps on a flat, soft, non-abrasive surface.

CAUTION: Some items and/or the components are cumbersome and heavy. Please use **TWO OR MORE** people to prevent personal injury and ensure that the item and/or its components are not damaged during the assembly process.

INCLUDED HARDWARE

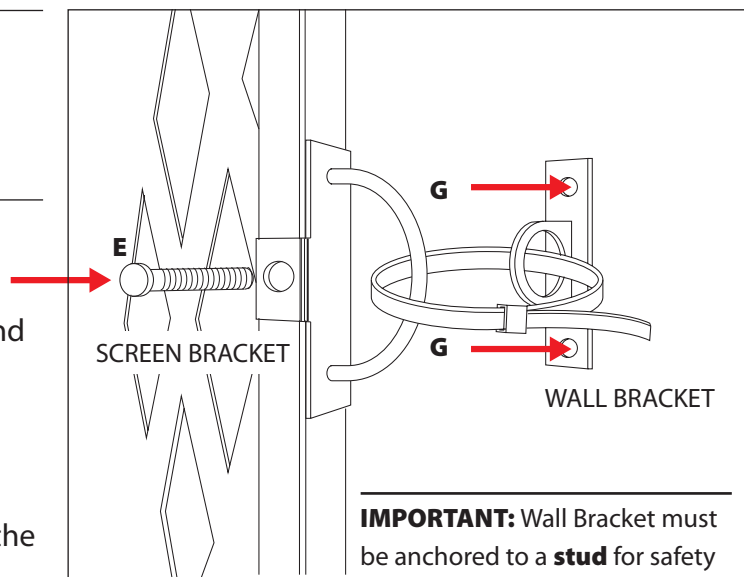
A	Leg Bracket	x2
B	Screen Bracket	x1
C	Wall Bracket	x1
D	Secure Tie	x1
E	Screen Bolt	x1
F	Screen Nut	x1
G	Wall Screw	x2



IMPORTANT: AFTER PRODUCT IS ASSEMBLED IT MUST BE SECURED TO WALL USING BELOW INSTRUCTIONS

SECURING SCREEN TO WALL

- 1:** Attach Screen Bracket to Screen Using **Bolt A** and Included **D** Nut
- 2:** Secure Wall Bracket using screws **G** directly into wall stud
- 3:** Using Secure Tie **C**, connect the wall bracket to the screen bracket



KEEP THESE INSTRUCTIONS FOR FUTURE REFERENCE

For questions, missing parts or defectives, please contact Peak Season at 1-866-563-1732 or customerservice@peakseasoninc.net