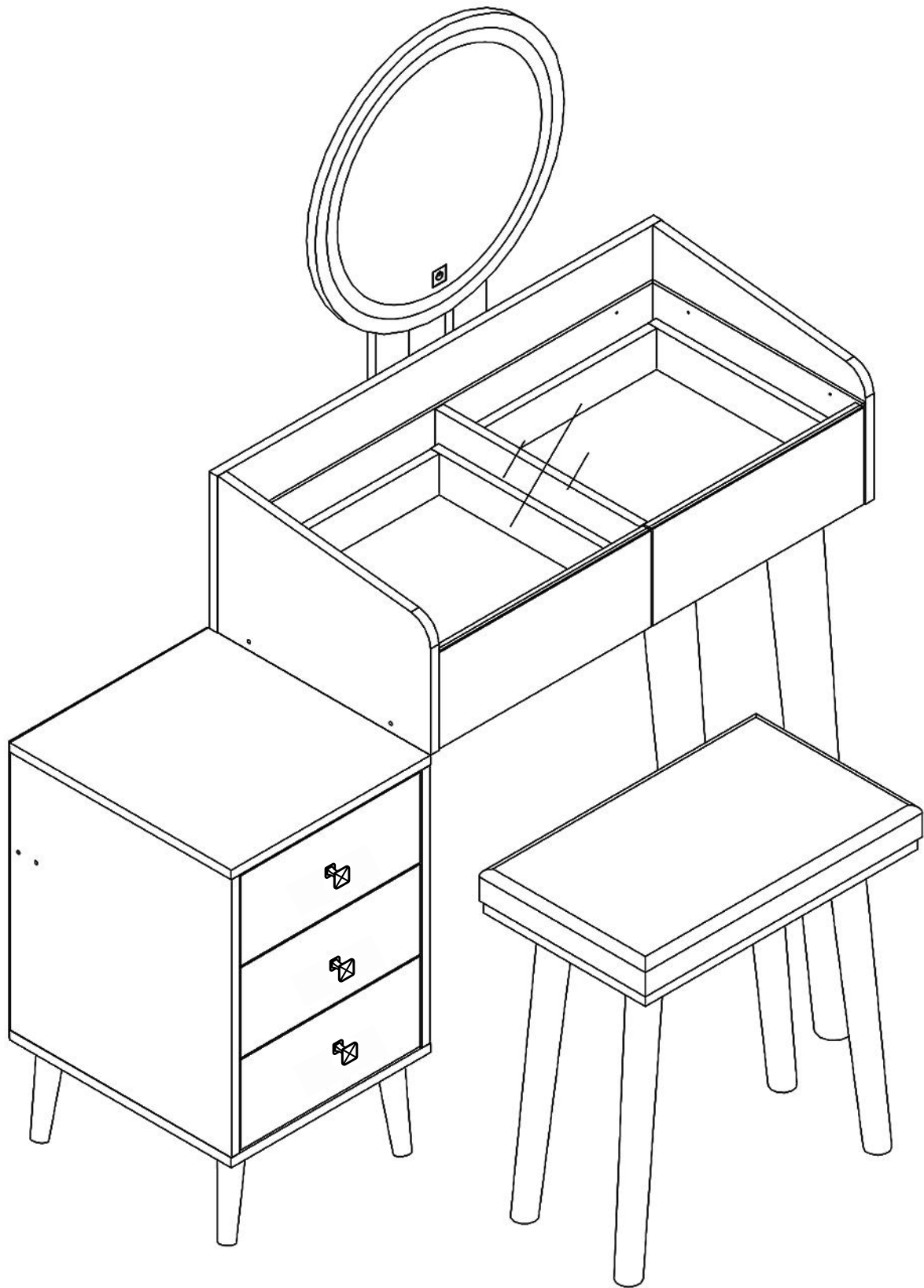
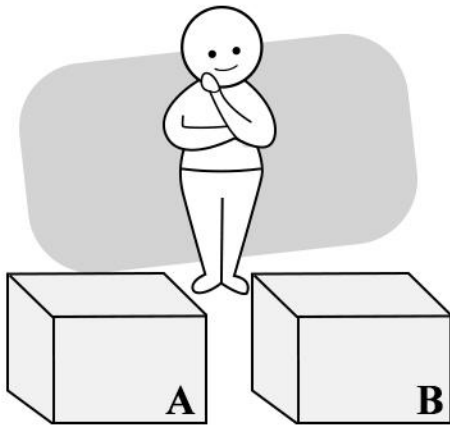


---

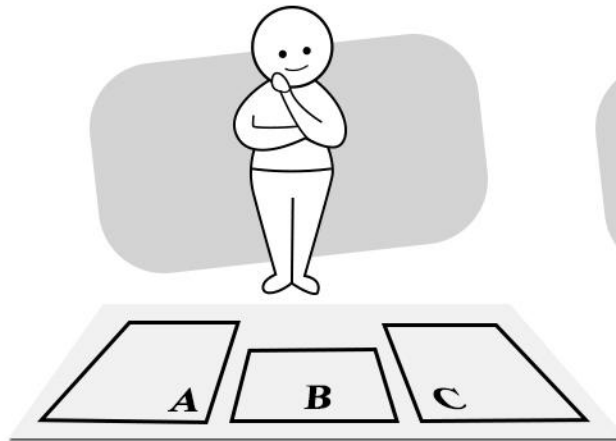
# ***USER MANUAL***



# Preparation before installation



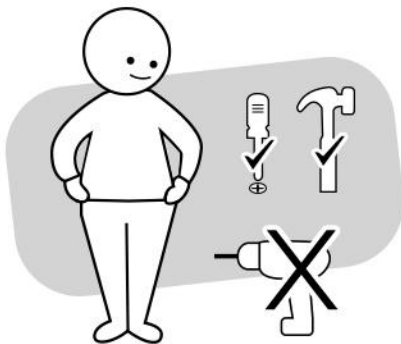
Check the number of parcels before you begin assembly



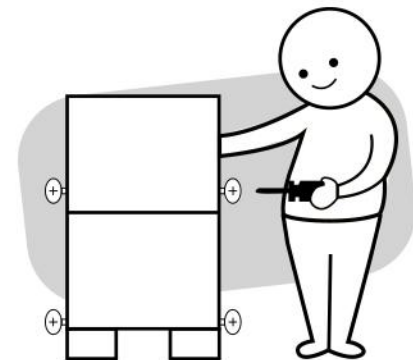
Identify and lay out all of the components before you begin assembly  
(It is best to spread it on the ground)



Read through the instructions carefully before you begin



Make sure you have all the required tools.  
Never use power tools unless instructed.



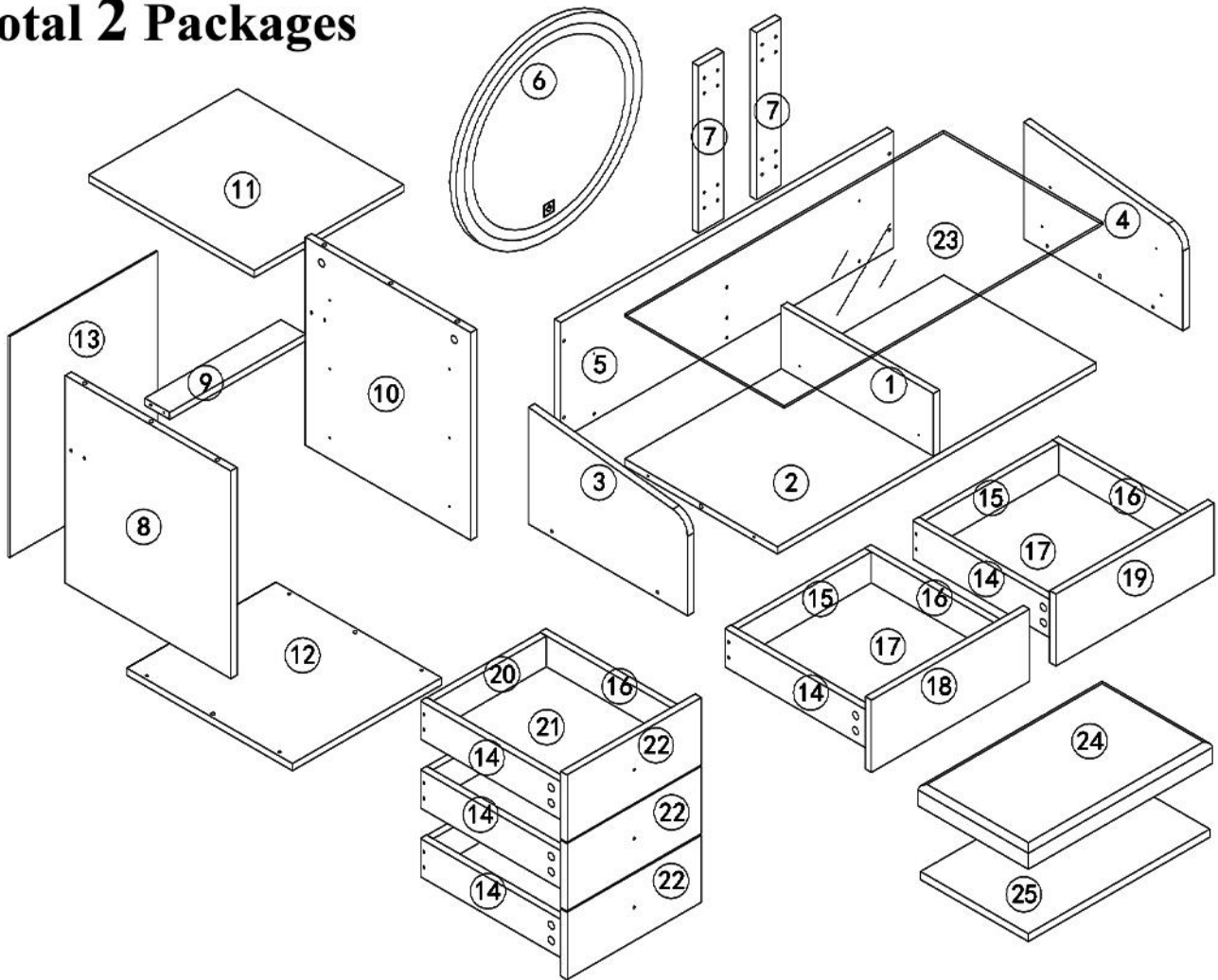
Unless instructed, do not fully tighten screws until the item is fully assembled.

## Important before assembly:

- ! Read these instructions carefully before assembling or using the product.
- ! Please check the contents of the boxes before attempting to assemble this product. The instructions will have a checklist of parts and fittings.
- ! It would be sensible to lay a rug or a carpet on the floor where you intend to assemble the product, to avoid scratches and damaging the product or the floor.
- ! Assemble the product as close to its intended final location/room as possible.
- ! Do **NOT** use any power tools as this may damage the frame.

# Parts List

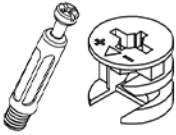
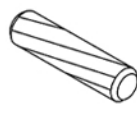
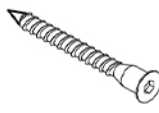
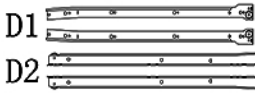

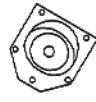
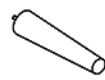
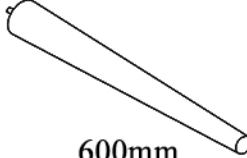
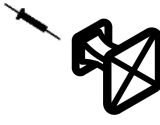




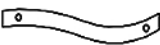
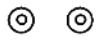
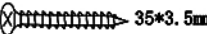
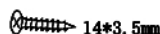

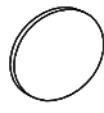
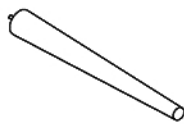


Total 2 Packages









Part	In Box	Qty
①	2	1pcs
②	1	1pcs
③	1	1pcs
④	1	1pcs
⑤	1	1pcs
⑥	2	1pcs
⑦	2	2pcs
⑧	2	1pcs
⑨	2	1pcs
⑩	2	1pcs
⑪	2	1pcs
⑫	2	1pcs
⑬	1	1pcs

Part	In Box	Qty
⑭	1	5pcs
⑮	1	2pcs
⑯	1	5pcs
⑰	2	2pcs
⑱	1	1pcs
⑳	1	3pcs
㉑	1	3pcs
㉒	1	3pcs
㉓	1	1pcs
㉔	1	1pcs
㉕	1	1pcs

# Hardware List

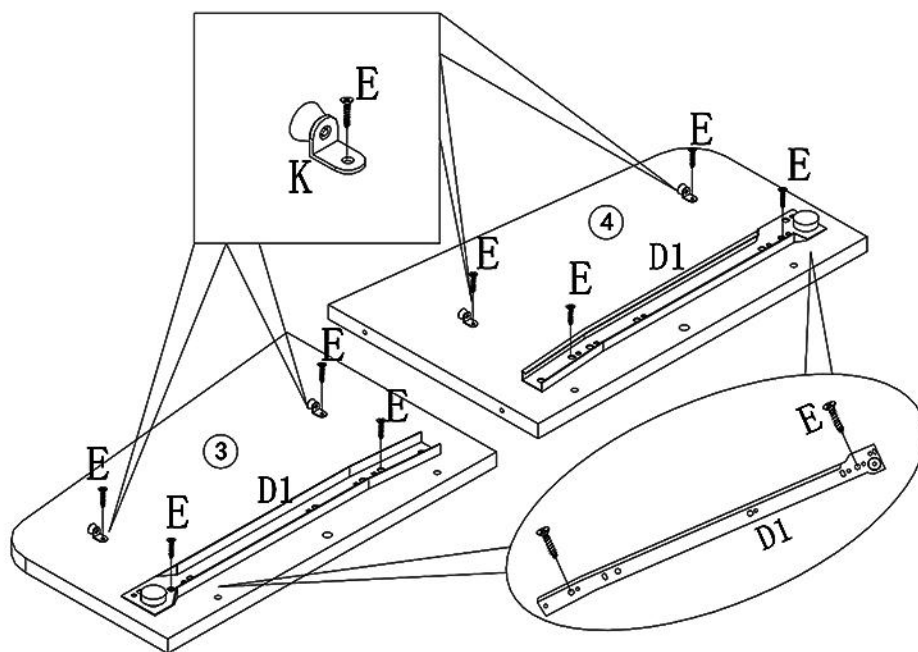
<b>A</b> 24pcs  15*34	<b>B</b> 6pcs  40*8mm	<b>C</b> 43pcs  40*5mm	<b>D</b> 5pcs  350mm	<b>E</b> 96pcs  14*3.5mm
<b>F</b> 10pcs 	<b>G</b> 4pcs  120mm	<b>H</b> 2pcs  600mm	<b>I</b> 3pcs 	<b>J</b> 8pcs  12*2mm
<b>K</b> 6pcs 	<b>L</b> 20pcs  25*3.5mm	<b>M</b> 30pcs 	<b>N</b> 2pcs     	
<b>O</b> 17pcs  ø13	<b>P</b> 4pcs  360mm	<b>Q</b> 1pcs 		

-  There are inner box(es) that include components required to complete this assembly.
-  Please do not completely tighten all the hardware, until the entire assembly is complete.
-  Before discarding the packaging, please use the checklist to ensure that you have all the parts required to assemble your product. Please kindly note you will need the original package if you want to return the product later.

 **x2**
 **x2**
 **45 mins**

## STEP 1

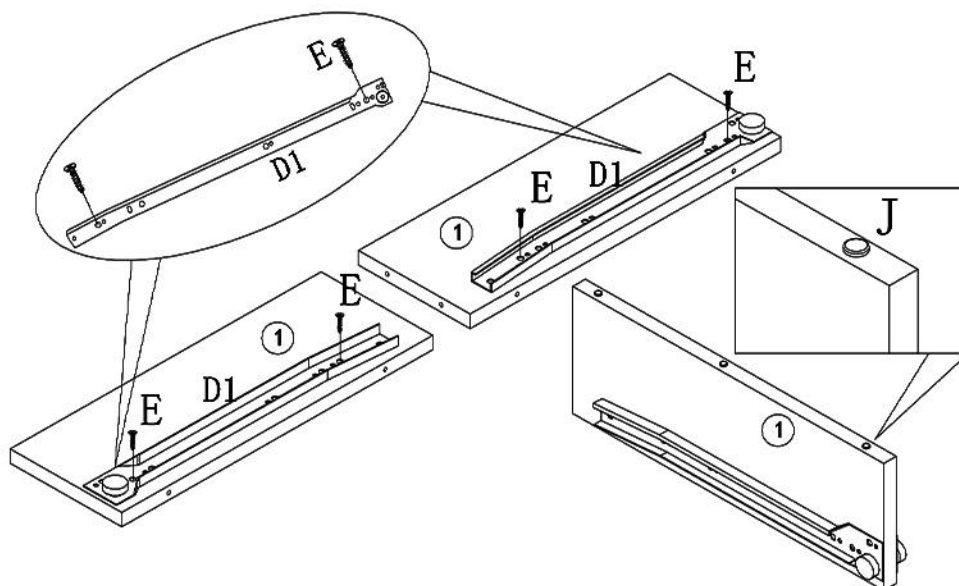
Fix part runner D1 on board ③ and ④, fix 4 pcs part K on board ③ and ④, using screws E



D1\*2 E\*8 K\*4

## STEP 2

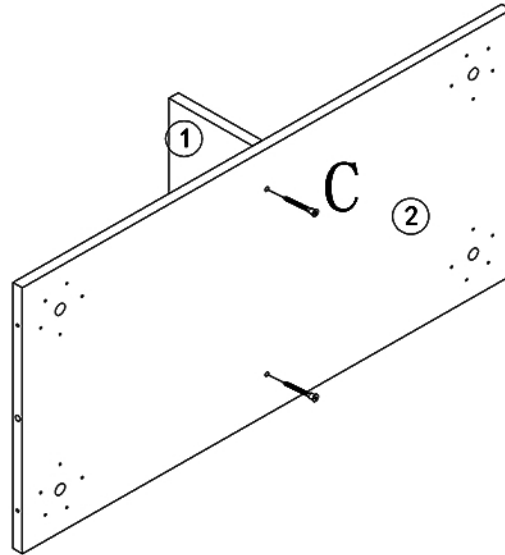
Fix part runner D1 on both sides of board ①, using screws E, and fix part J



D1\*2 E\*4

### STEP 3

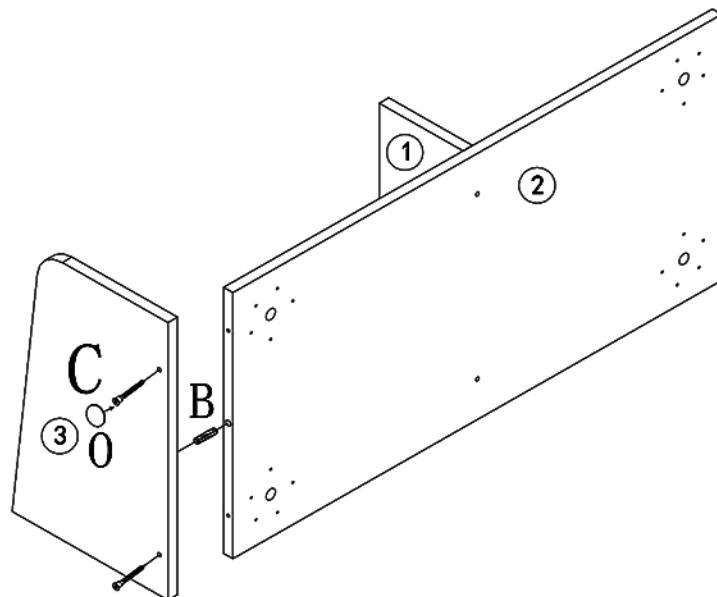
Connect board ① to board ②,  
using screws C



C\*2

### STEP 4

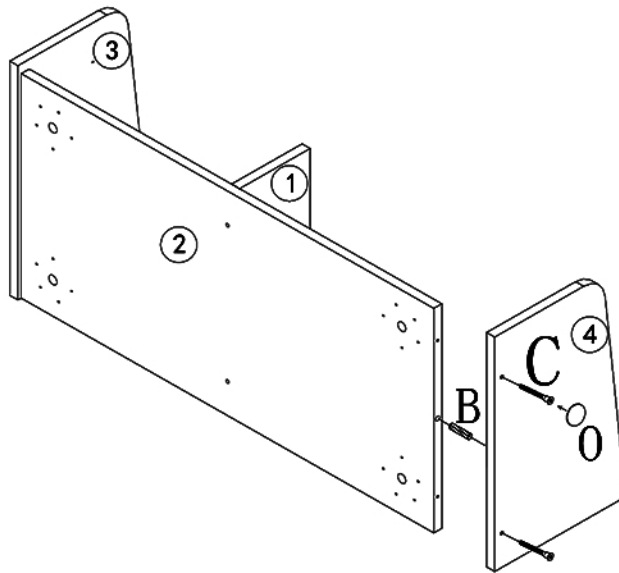
Connect board ③ to board  
②, using screws C and B,  
and cover screw top with  
part O



B\*1 C\*2 O\*2

## STEP 5

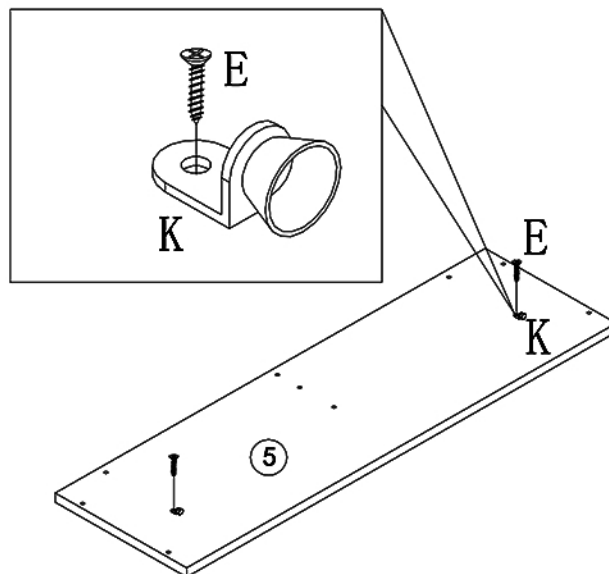
Connect board ④ to board ②, using screws C and B, and cover screw top with part O



B\*1 C\*2 O\*2

## STEP 6

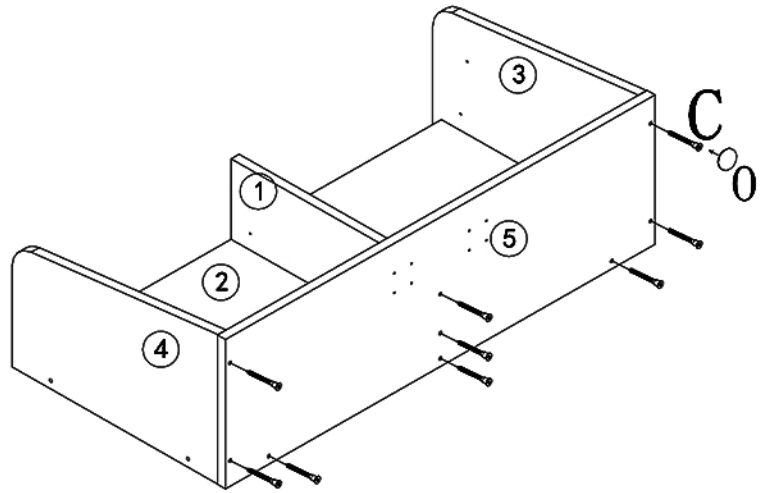
Fix 2 pcs part K on board ⑤, using screws E



E\*2 K\*2

## STEP 7

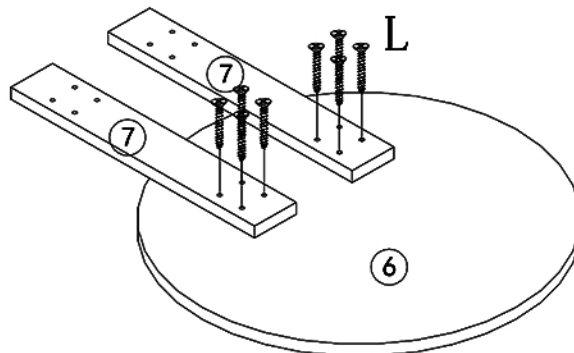
Connect board ⑤, using screws C, and cover with part O



C\*9 O\*9

## STEP 8

Connect 2 pcs board ⑦ to board ⑥, using screw L



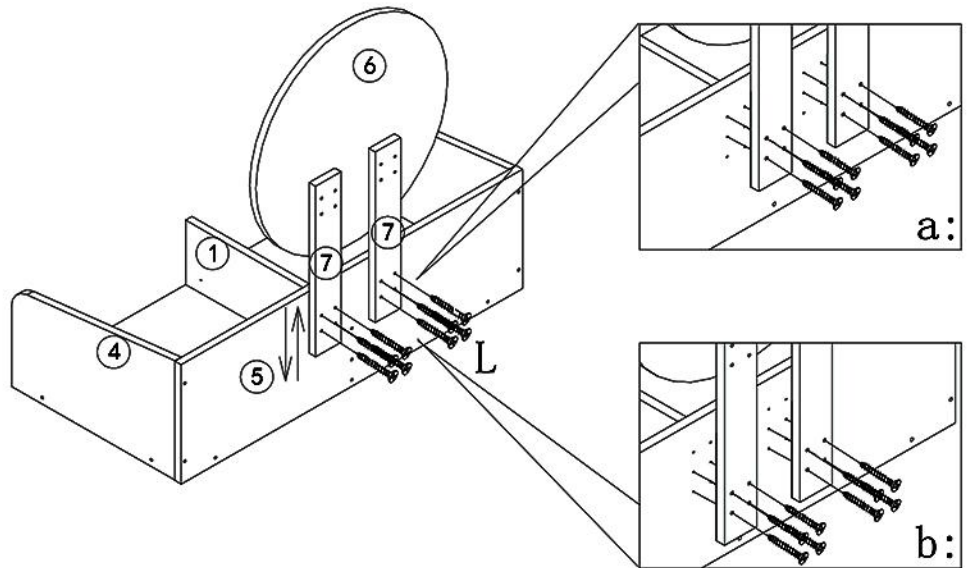
L\*8

## STEP 9

Connect 2 pcs board ⑦ to board ⑤, using screw L

### ⚠ NOTE

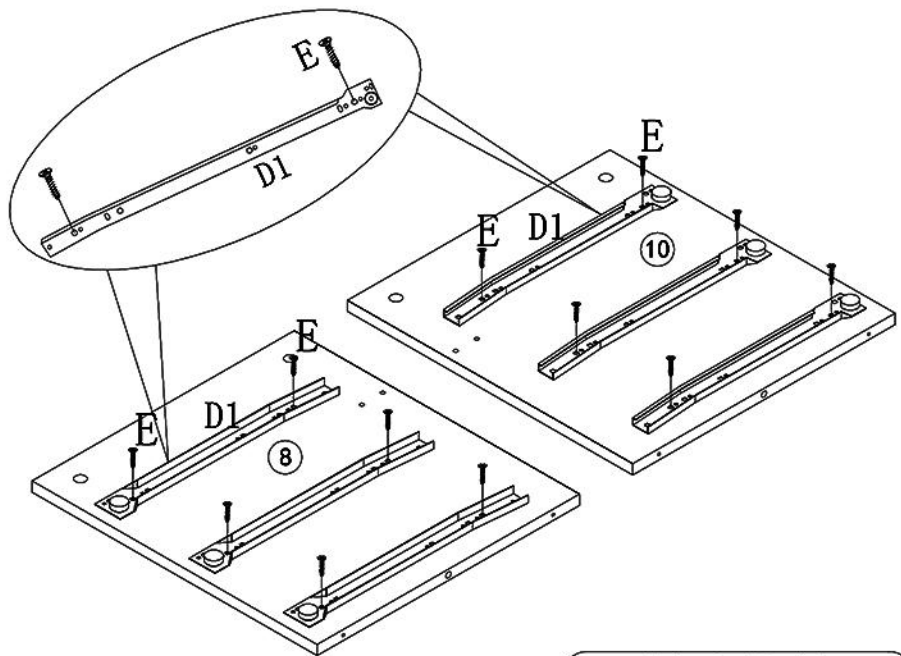
You can adjust mirror height by choose different holes a or b as picture showing



L\*8

## STEP 10

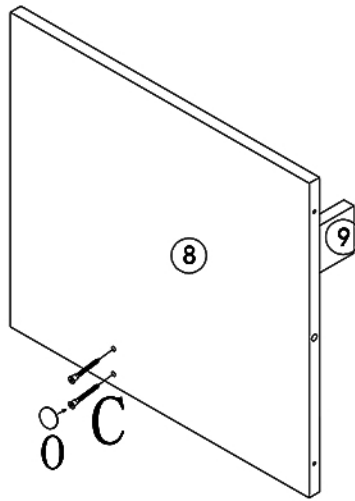
Fix 6 pcs part D1 on board ⑧ and ⑩, using screws E, please note the right hole



D1\*6 E\*12

## STEP 11

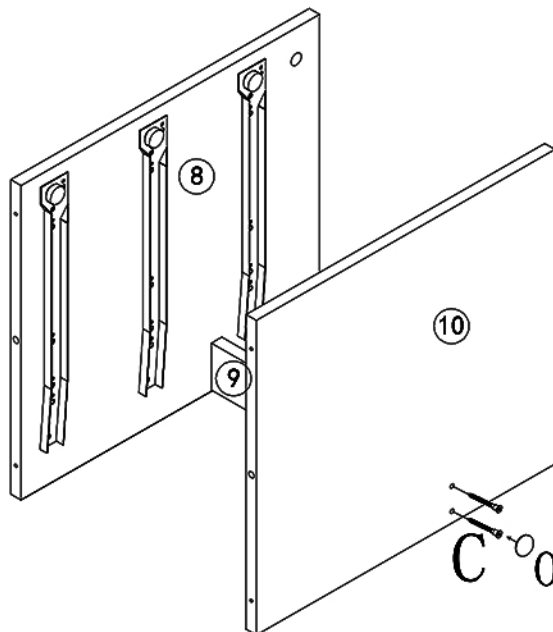
Connect board ⑧ and ⑨,  
using screws C, and cover  
with part O



C\*2 O\*2

## STEP 12

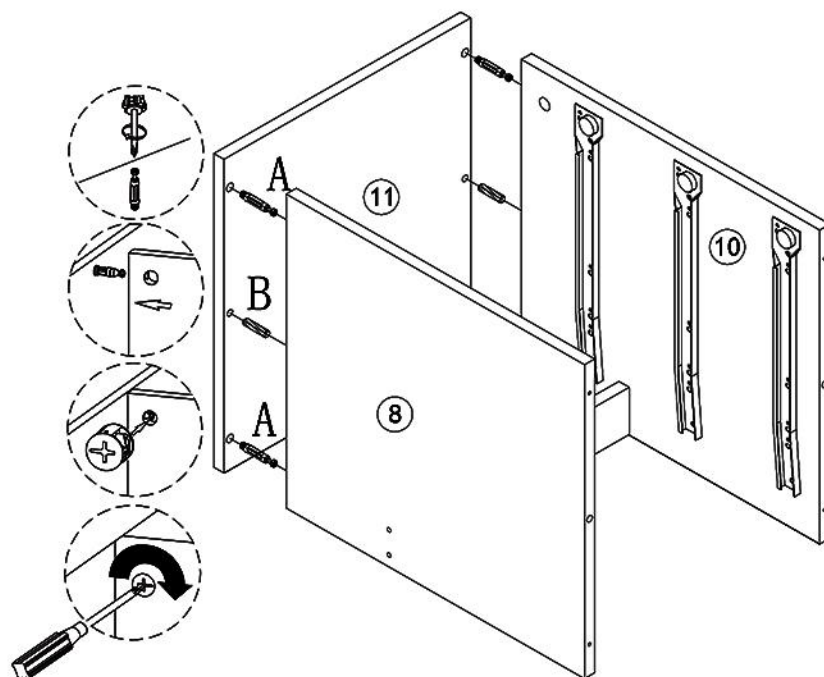
Connect board ⑩ and ⑨,  
using screws C, and cover  
with part O



C\*2 O\*2

## STEP 13

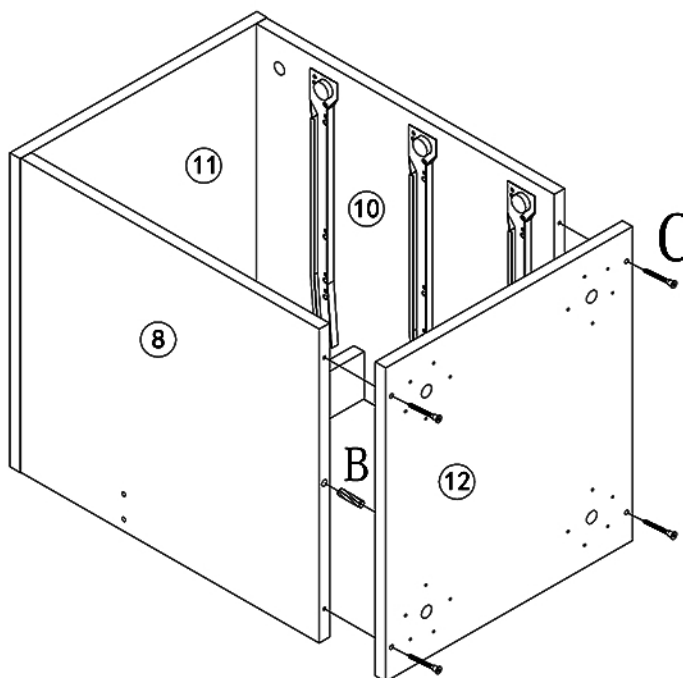
Connect board ⑪ with board ⑧ and ⑩, using screw A and B, please note the intall way of screw



A\*4 B\*2

## STEP 14

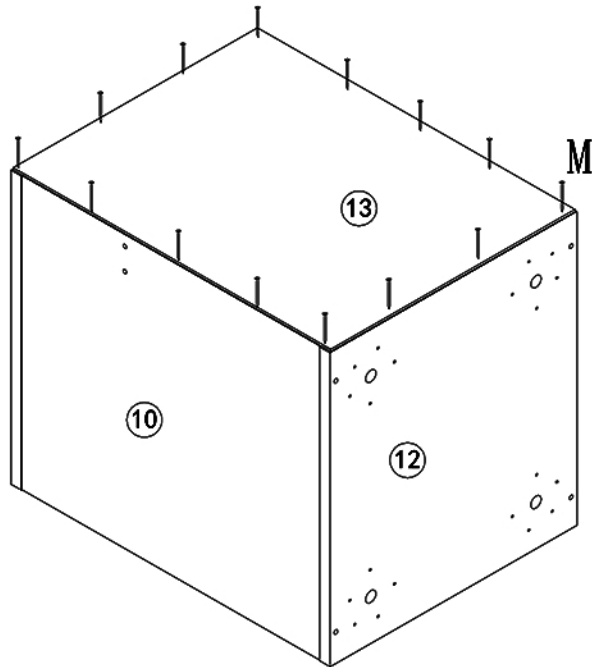
Connect board ⑭ with board ⑧ and ⑩, using screws C



B\*2 C\*4

## STEP 15

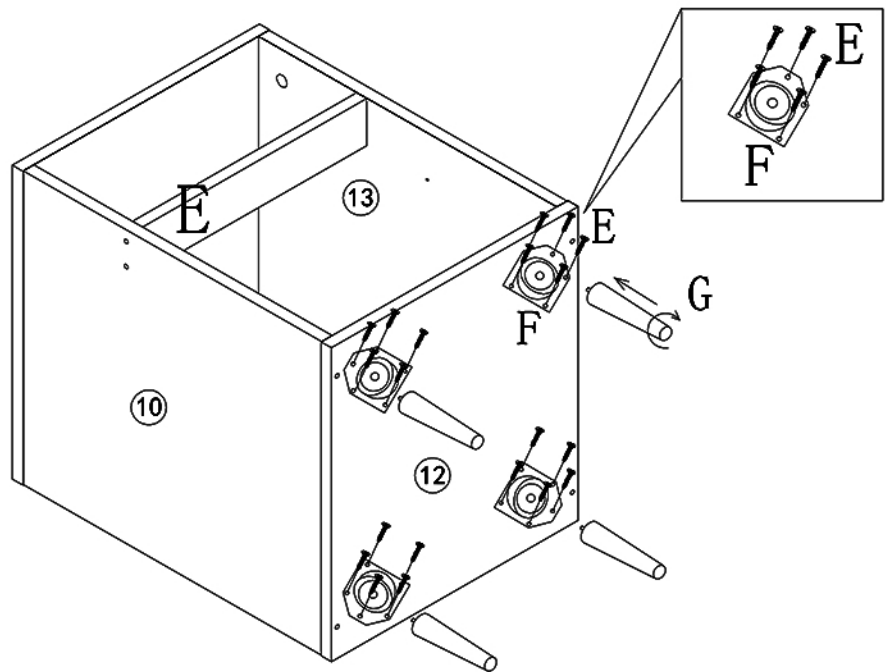
Fix board ⑬, using screws M



M\*30

## STEP 16

Fix 4 pcs part F, using screws E, then screw part G into F



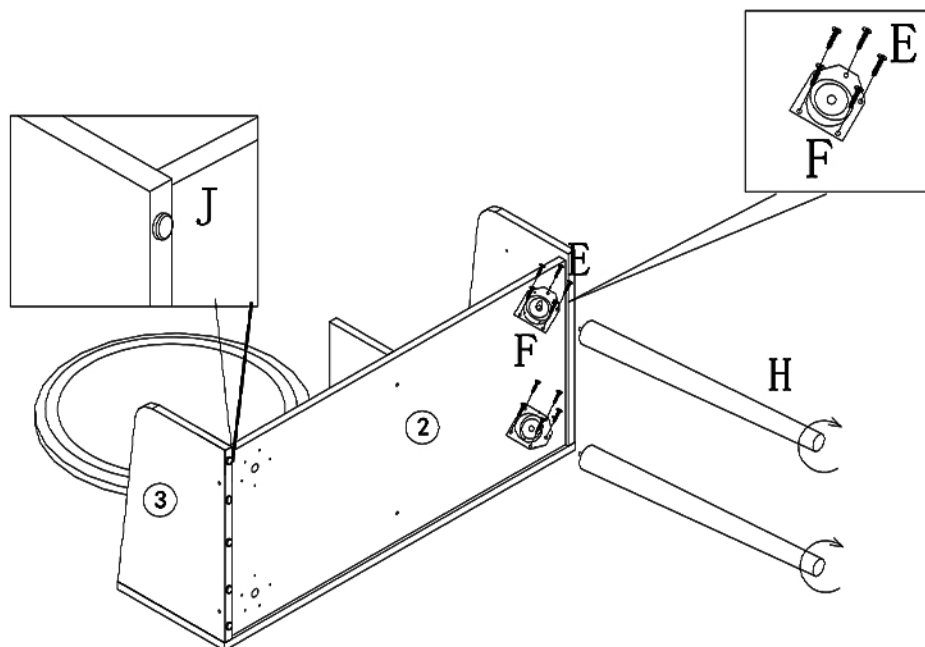
E\*20 F\*4 G\*4

## STEP 17

Put on part J, then fix 2 pcs part F on board 2, using screws E, then screw legs H into F

### NOTE

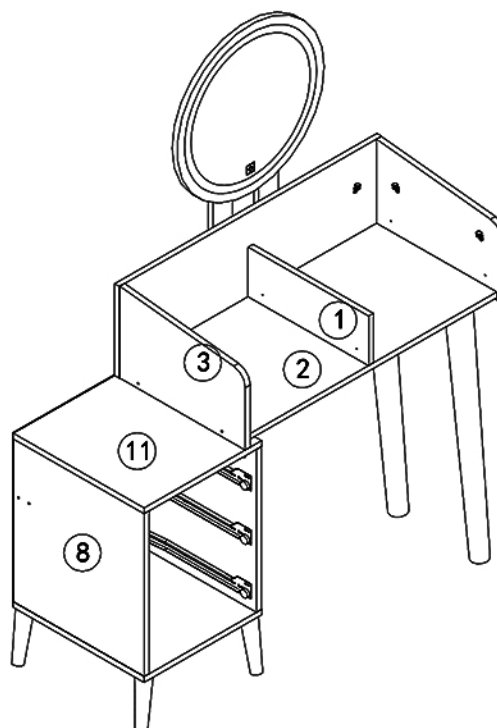
If you want put the cabinet on the left, please follow steps 17-18



E\*10 F\*2 H\*2 J\*5

## STEP 18

Put the table on the cabinet, table on right side.

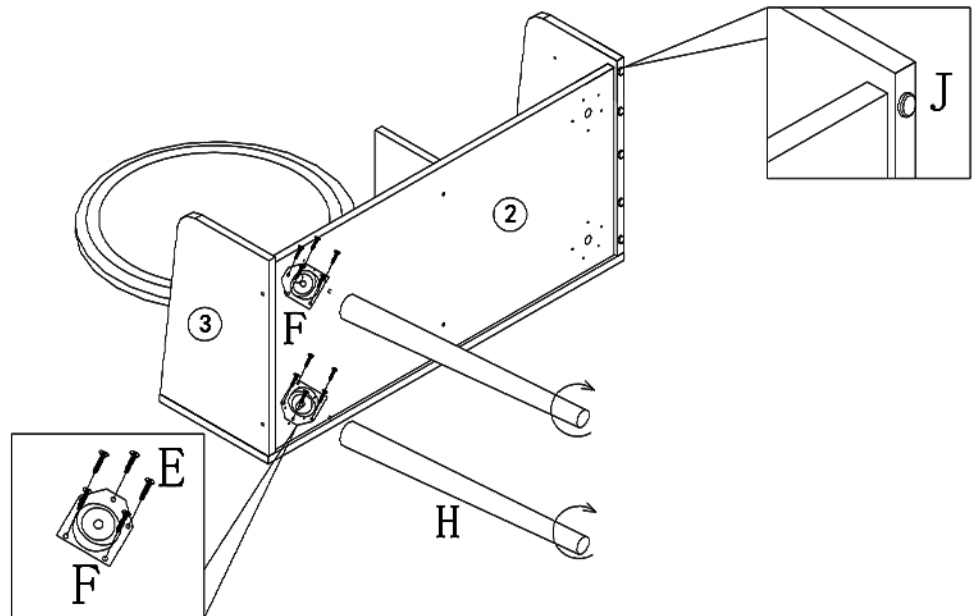


## STEP 19

Put on part J, then fix 2 pcs part F on board 2, using screws E, then screw legs H into F

### NOTE

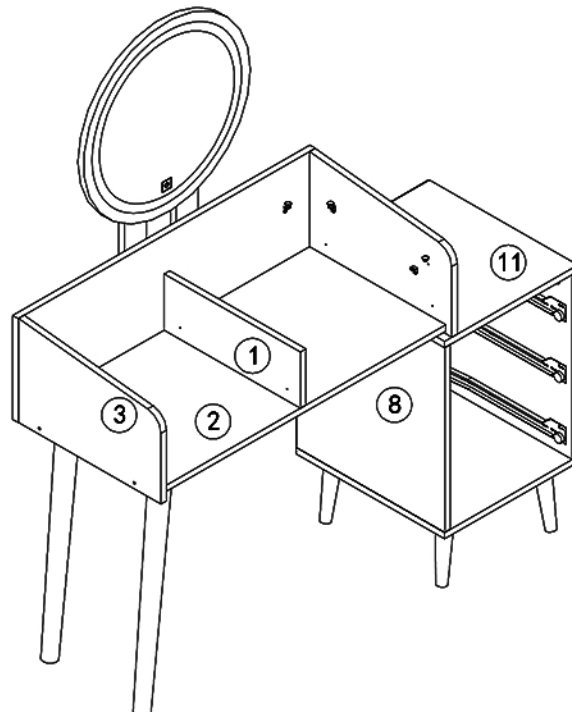
If you want put the cabinet on the left, please follow steps 19-20



E\*10 F\*2 H\*2 J\*5

## STEP 20

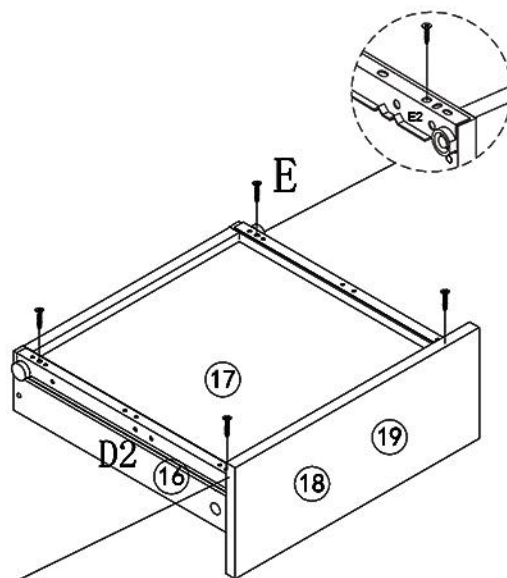
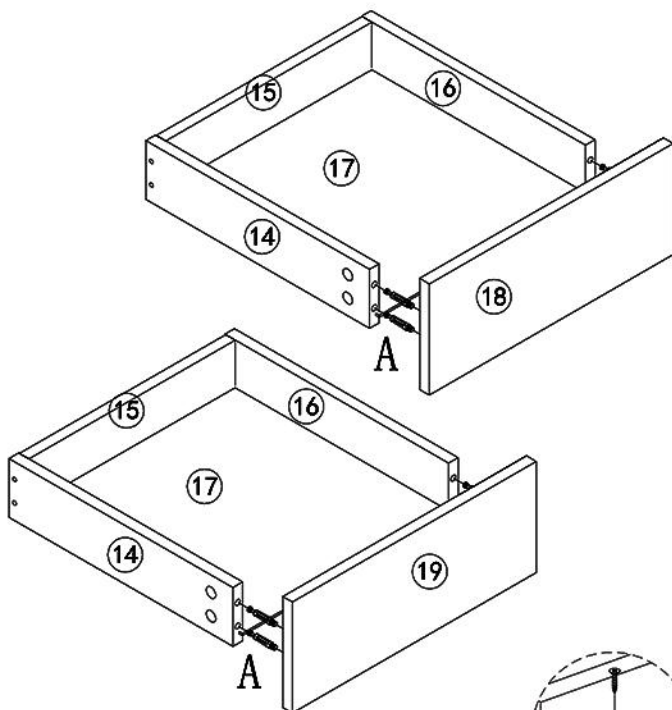
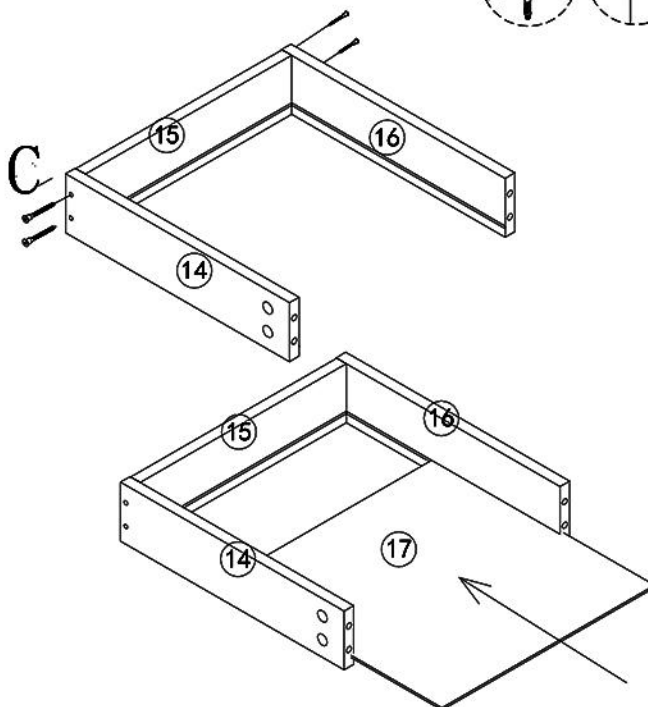
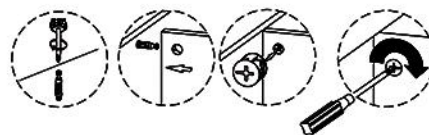
Put the table on the cabinet table on left side.



# STEP 21

## Fix 2 Set Drawers

Connect board (15) with (14) and (16), using screws C, then push board (17) in, then connect with board (18), the second set using board (19), then fix runners D2 on board (14) and (16), please note the right hole.



(18) X1  
(19) X1

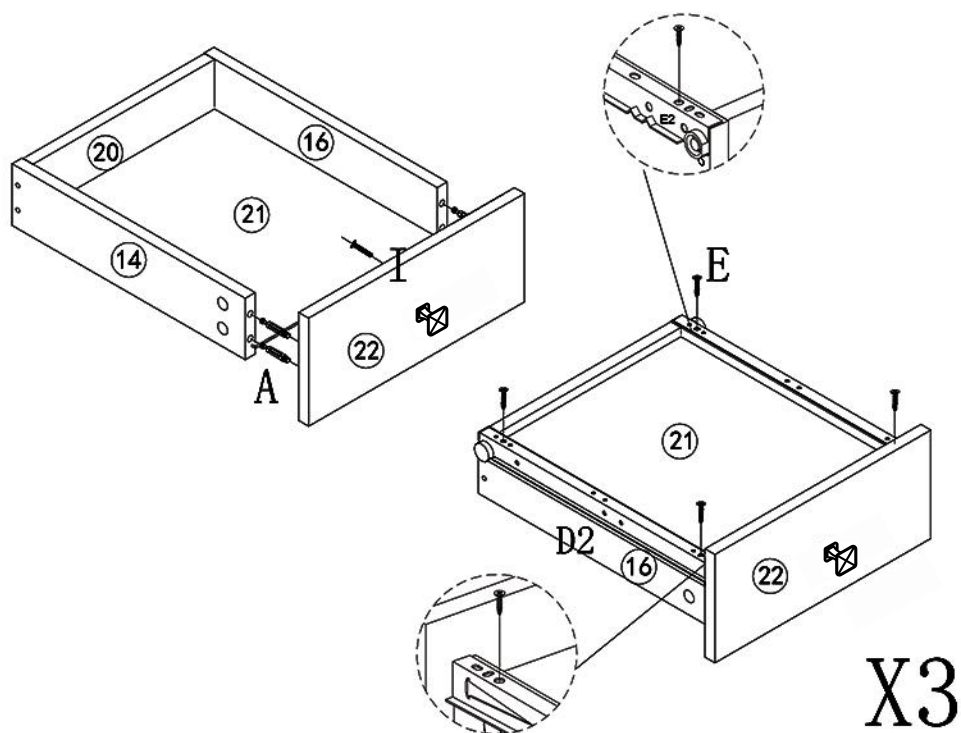
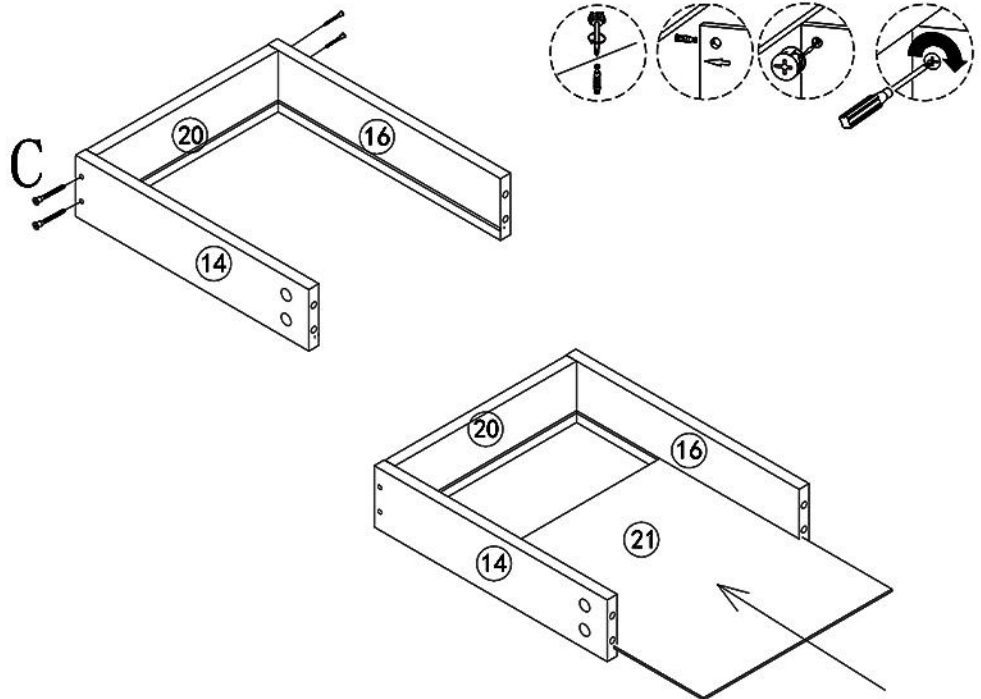
X2

A\*4 C\*4 D2\*2 E\*4

## STEP 22

### Fix 3 Set Drawers

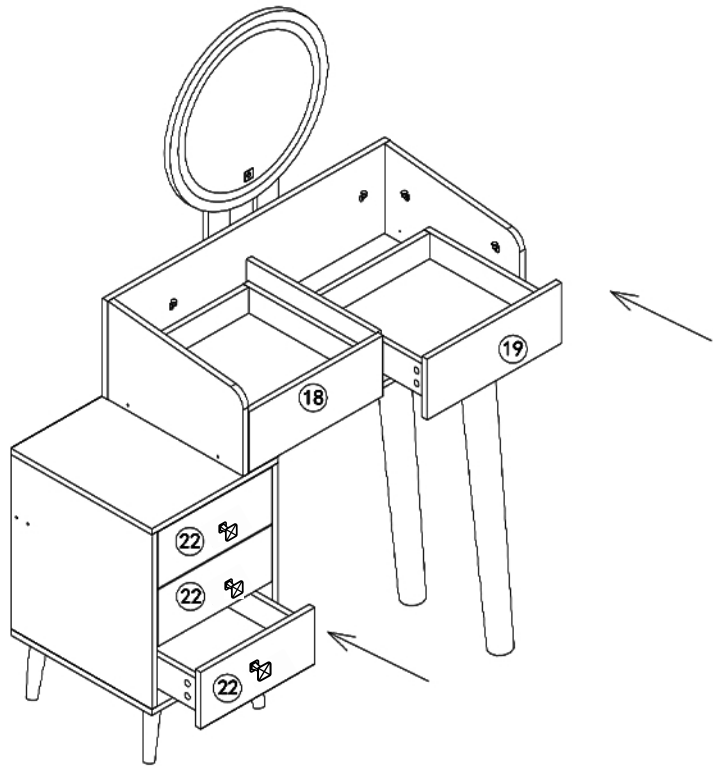
Connect board ⑳ with ⑭ and ⑯, using screws C, then push board ㉑ in, then connect with board ㉒, then fix 3 sets runners D2 on board ⑭ and ⑯, please note the right hole



A\*4 C\*4 D2\*2 E\*4 I\*1

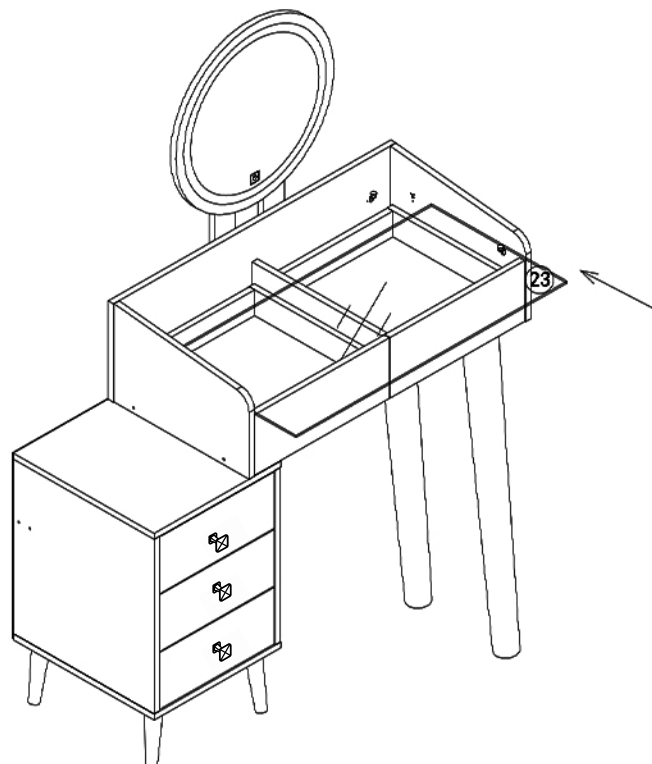
## STEP 23

Push the drawers in



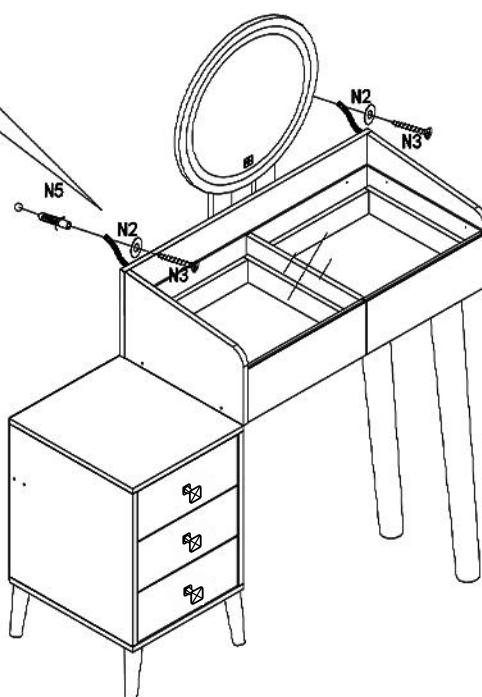
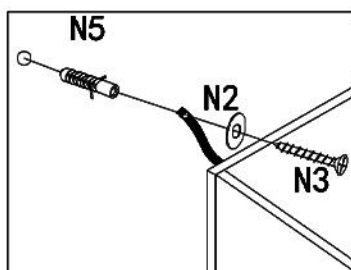
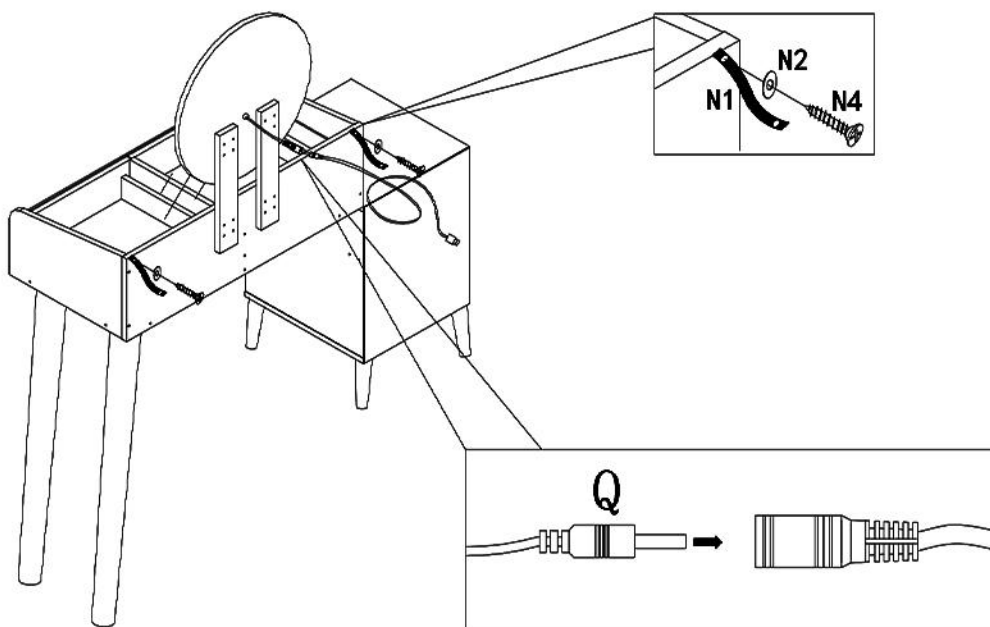
## STEP 24

Fix glass part ②③



# STEP 25

Fix 2 sets part N

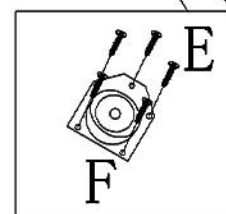
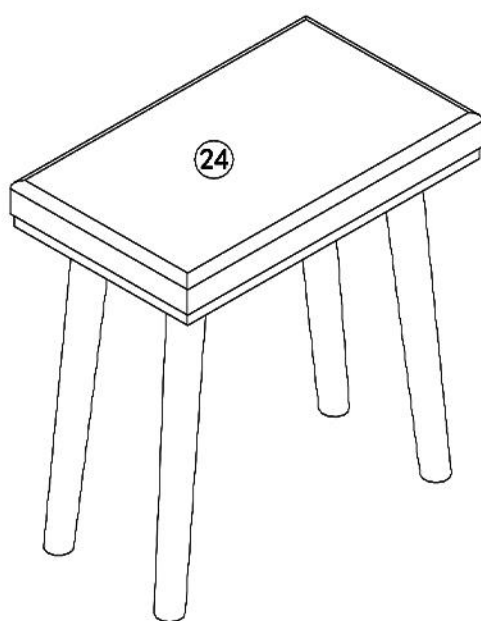
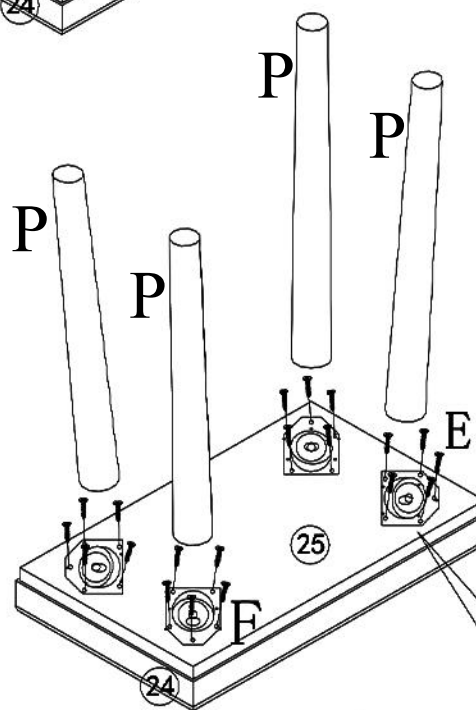
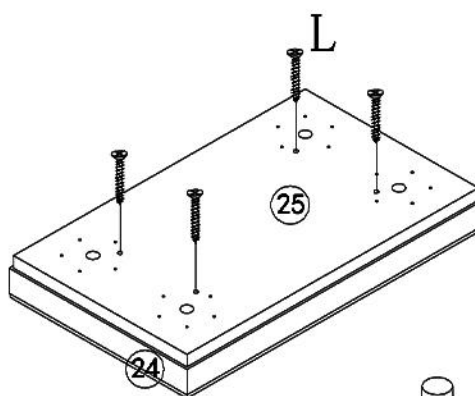


N\*2 Q\*1

## STEP 26

### NOTE

Fix the stool, connect board ②④ and ②⑤, using screw L, then fix 4 pcs part F on board ②⑤, using screws E, then screw legs P into F



E\*20 F\*4 L\*4

# STEP 27

Job done

