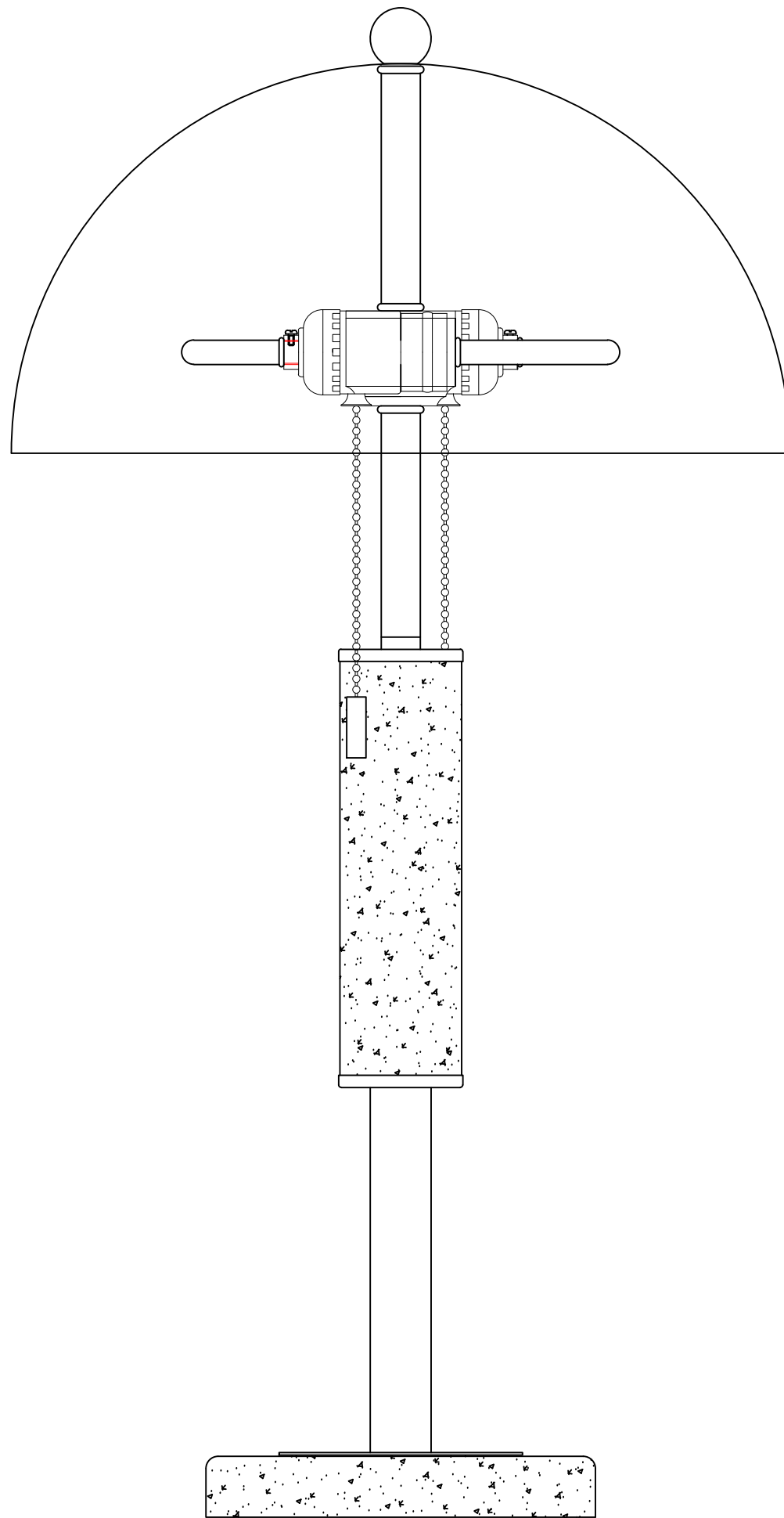


Table Lamp

Assembly Instructions

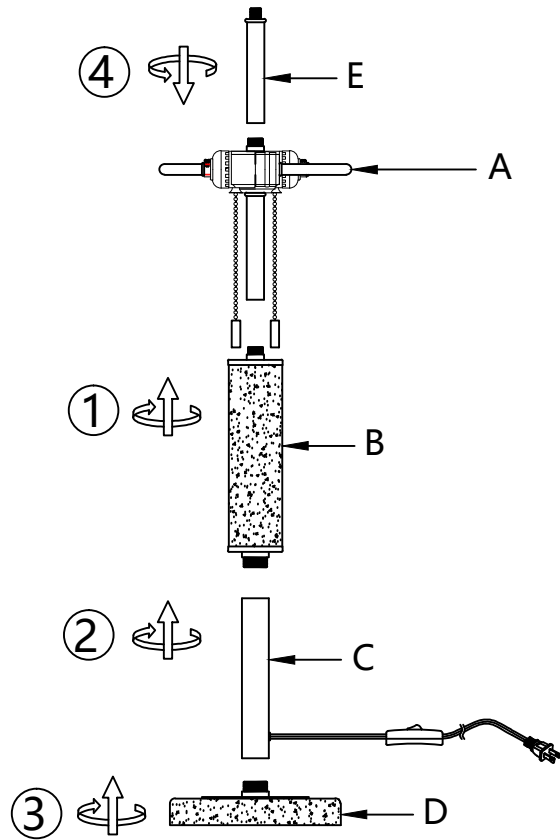


Assembly Instructions

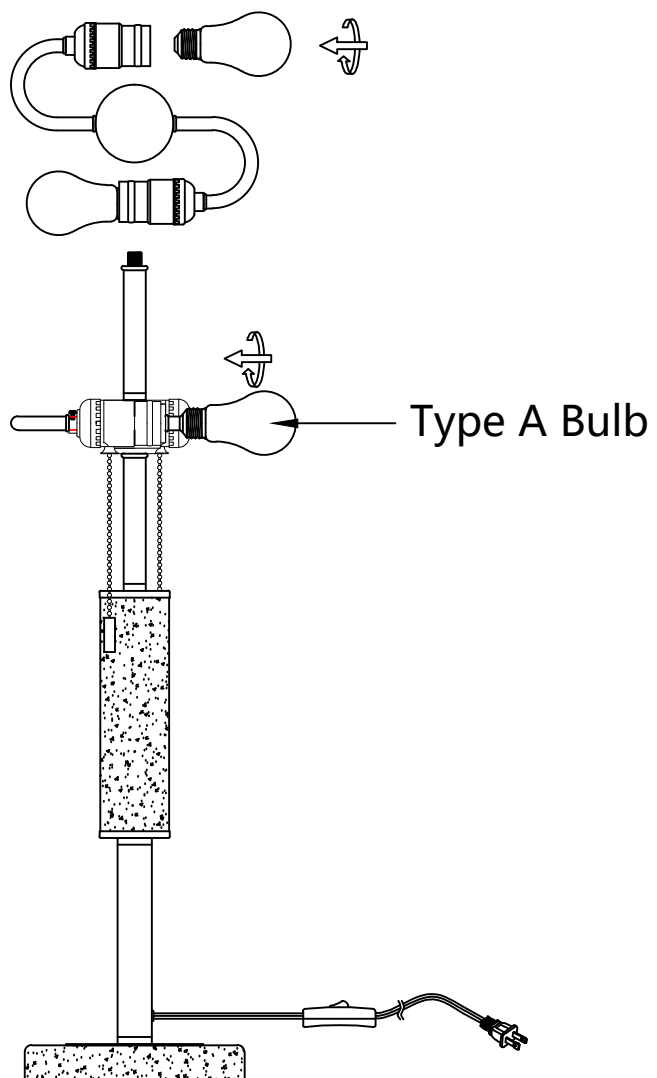
Table Lamp

Assembly Instructions

1. Screw the stone column onto the bushing under the socket, Screw the iron pipe under the stone column, Screw the base to the lower end of the iron pipe, Finally, screw the shade tube above the socket.



2. Install the bulb (Not Included).



3. Place the shade on the fixture and fix it with a decorative ball, Place a piece of silicone washer inside and outside the shade

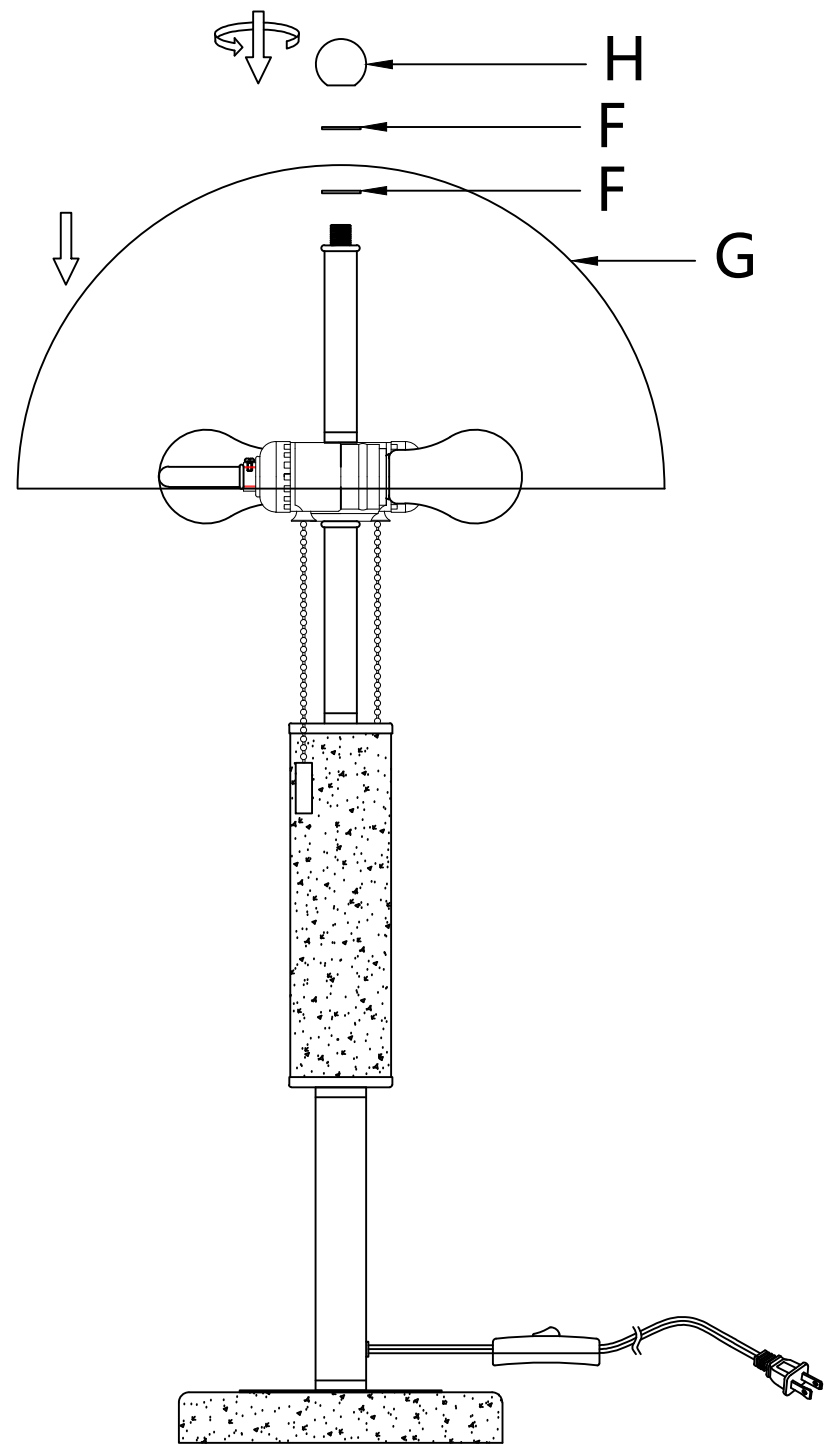


Table Lamp

Assembly Instructions

Important Safety Instructions:

- These instructions are provided for your safety. It is very important that they are read carefully and completely before beginning the assembly and installation of this lighting fixture.
- If the flexible cable or cord of this lighting fixture is damaged, it shall be exclusively replaced by the manufacturer or his service agent or a similar qualified person to avoid a hazard.
- This fixture has been rated for up to two **(2) E26 60W MAX. TYPE A standard light bulb** (not included). To avoid the risk of fire, do not exceed the recommended lamp wattage.
- This lamp is meant for indoor use.
- **Save these instructions.**

WARNING:

- **To reduce the risk of fire, electrical shock or personal injury, always turn off and unplug the light fixture and allow it to cool prior to replacing the light bulb.**
- **Do not touch bulb when fixture is turned on. Do not look directly at lit bulb.**
- **Keep flammable materials away from lit bulb.**

Pre-assembly:

- Remove all parts and hardware from box along with any plastic protective packaging.
- Do not discard any contents until after assembly is complete to avoid accidentally discarding small parts or hardware.

Care Instructions:

- Dust often using a clean, soft, dry and lint-free cloth.
- Blot spills and wipe with a clean, damp cloth immediately.
- We do not recommend the use of chemical cleansers, abrasives or furniture polish on our lacquered finish.
- Hardware may loosen over time. Periodically check to make sure all connections are tight. Re-tighten if necessary.