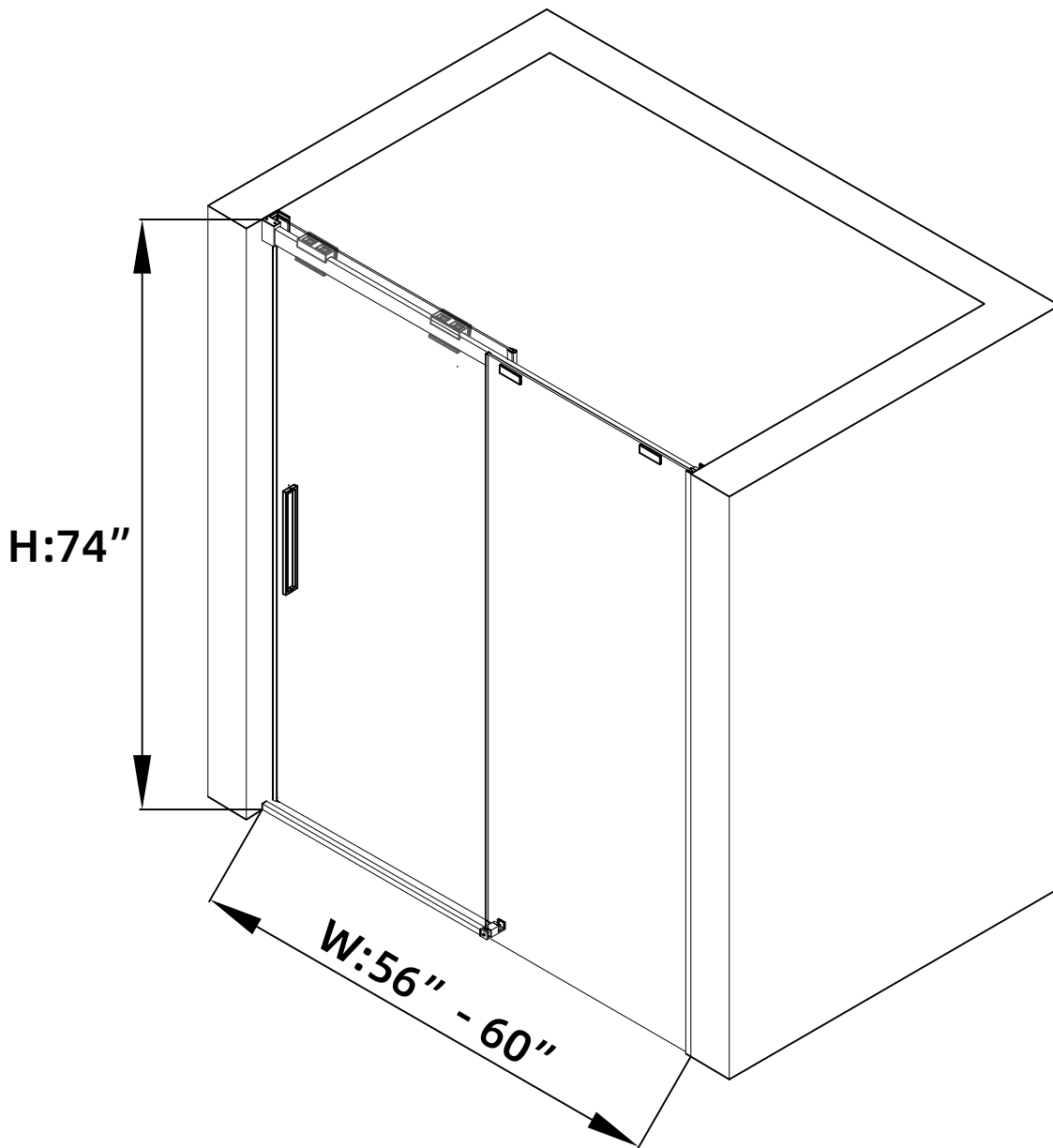


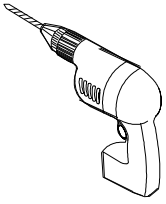


RX-SD20-6076

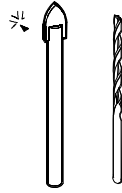
INSTALLATION MANUAL - INSTALLATION GUIDE



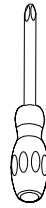
REQUIRED TOOLS



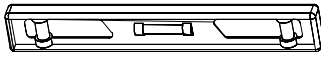
DRILL
PERCEUSE



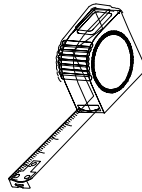
1/4" & 1/8" DRILL BITS
MÈCHES 1/4" & 1/8"



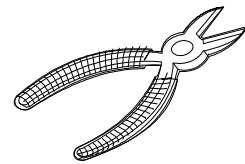
SCREWDRIVER
TOURNEVIS



LEVEL
NIVEAU



TAPE MEASURE
RUBAN A MESURER



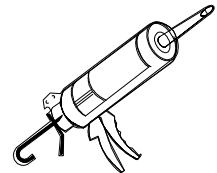
CUTTING PLIER
PINCE COUPANTE



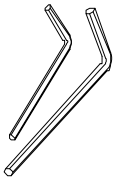
PENCIL
CRAYON



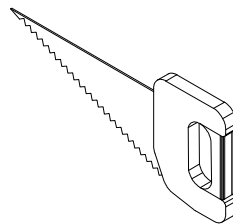
MALLET
MAILLET



SILICONE
SCELLANT



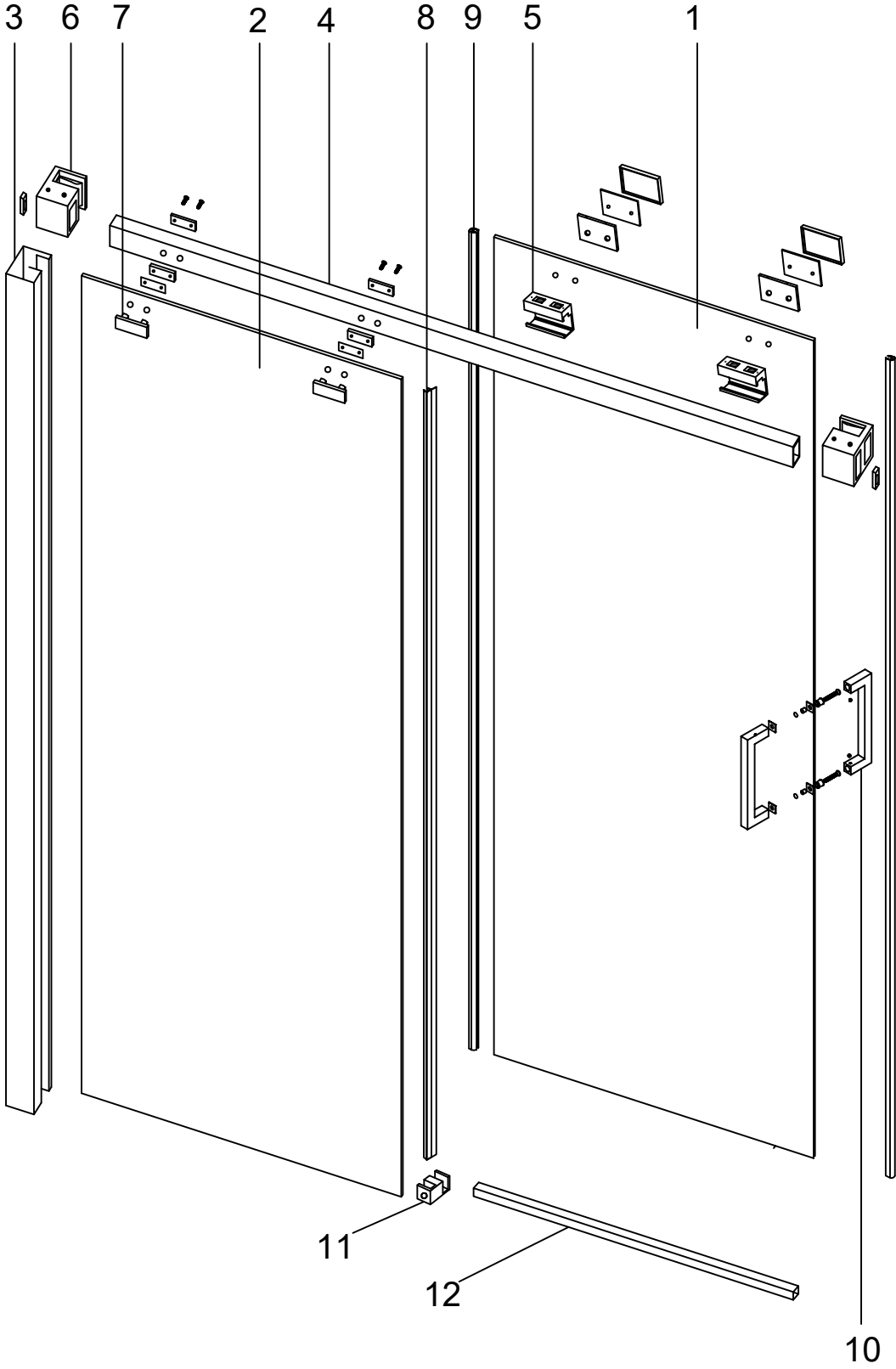
ALLEN KEY
2mm&2.5mm&4mm&5mm



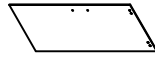








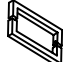

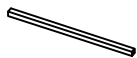
Saw
Saw

*** Use a 1/4" drill bit for ceramic when drilling into ceramic tiles**

MATERIAL'S LIST

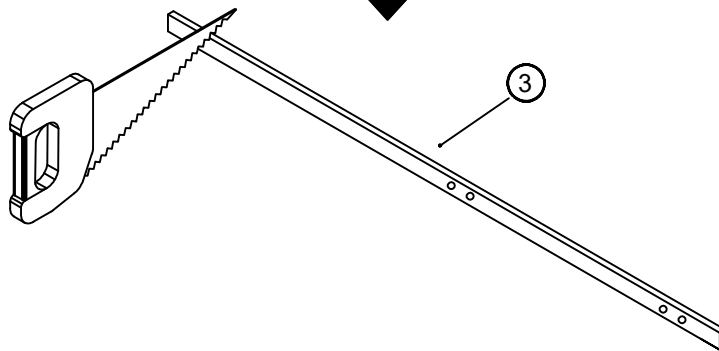
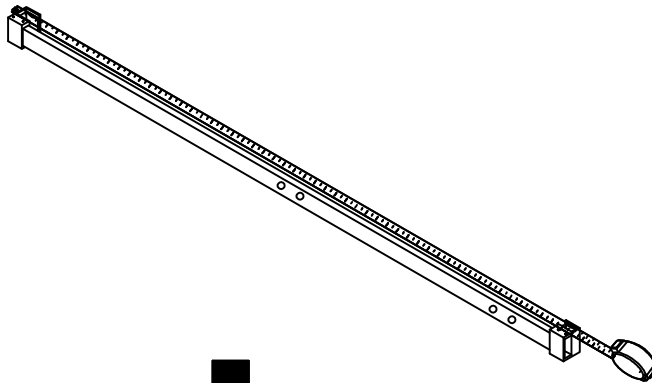
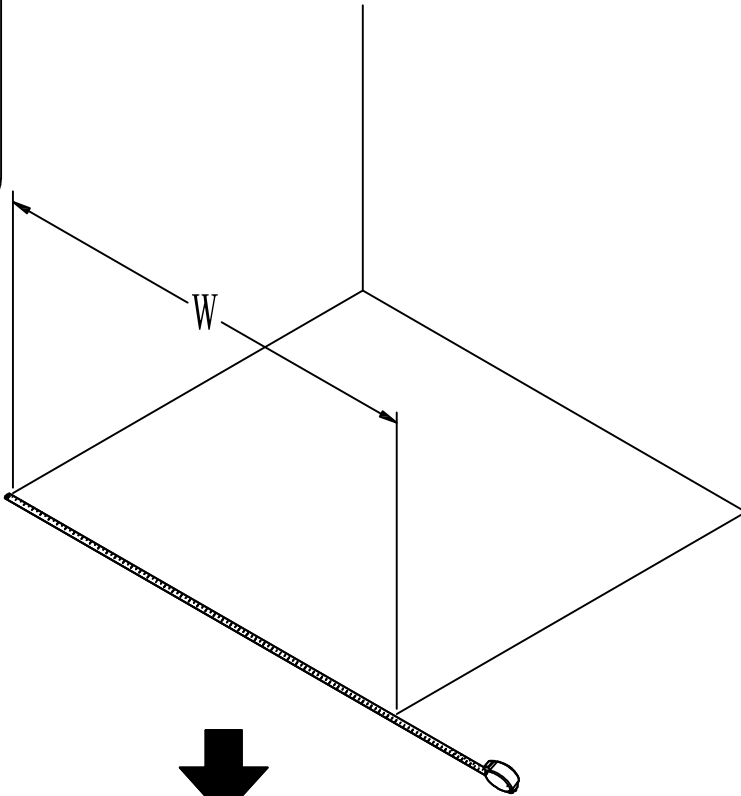


MATERIAL'S LIST

ITEM	NAME	QTY	PICTURE
1	DOOR GLASS	1	
2	FIX GLASS	1	
3	WALL PROFILE	1	
4	RAIL	1	
5	WHEEL	2	
6	WALL MOUNT ASSEMBLY	2	
7	ANCHOR KEY	2	
8	WATER RETAINING ADHESIVE STRIP	1	
9	ANTI COLLISION ADHESIVE STRIP	2	
10	HANDLE	1	
11	GUIDE BLOCK	1	
12	THRESHOLD	1	
13			
14			
15			
16			
17			
18			
19			
20			
21			

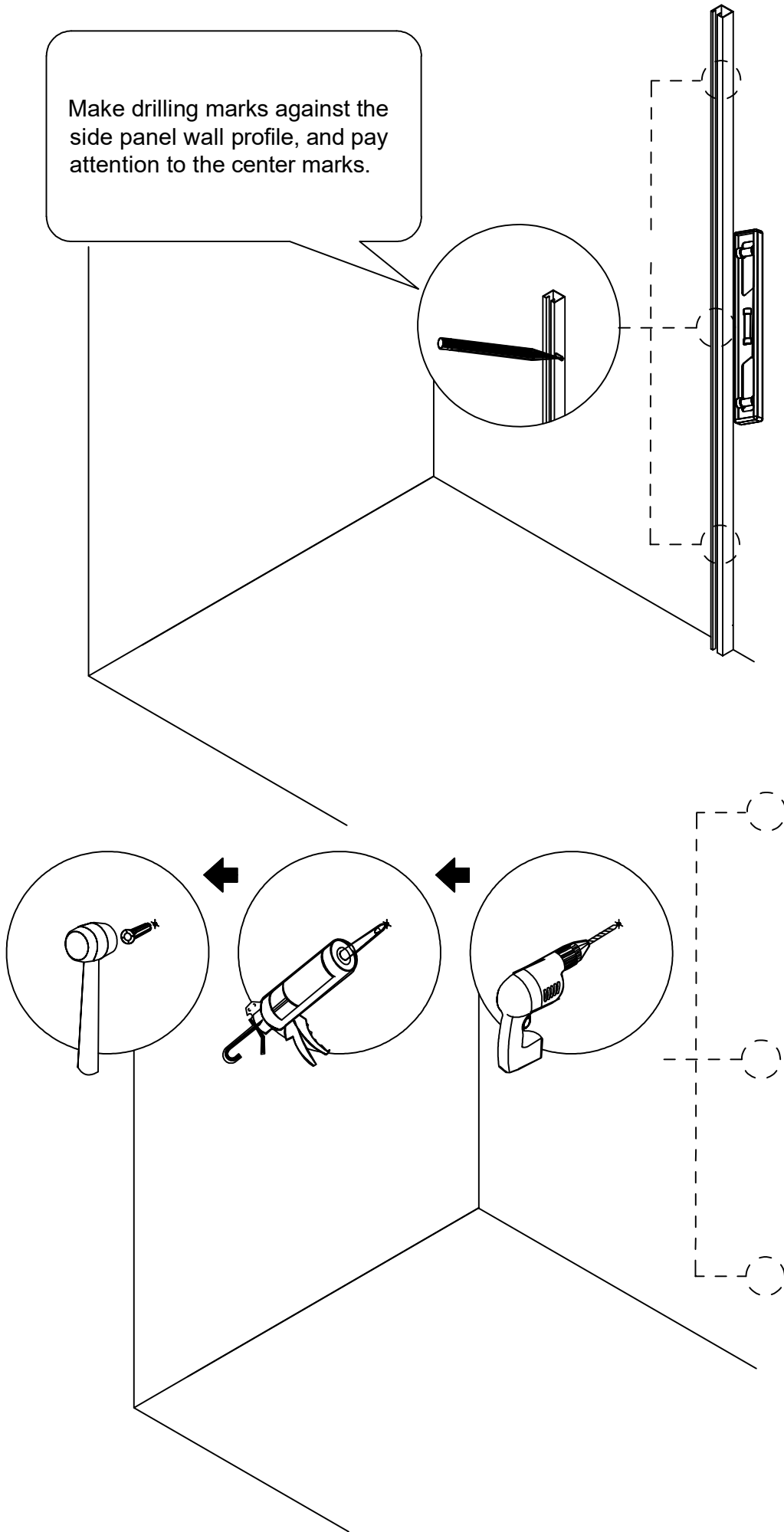
Measuring from wall to wall, cutting the upper guide rail

Measure the size from wall to wall dimensions against cutting guides.



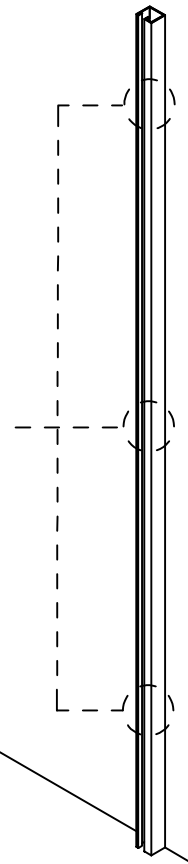
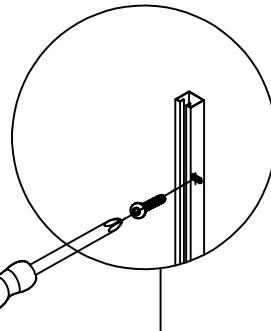
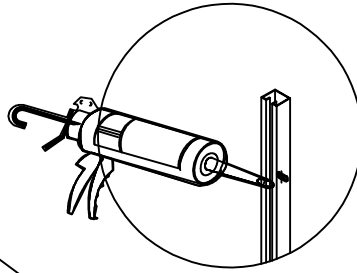
STEP-1: Mark wall profile holes and punch holes.

Make drilling marks against the side panel wall profile, and pay attention to the center marks.

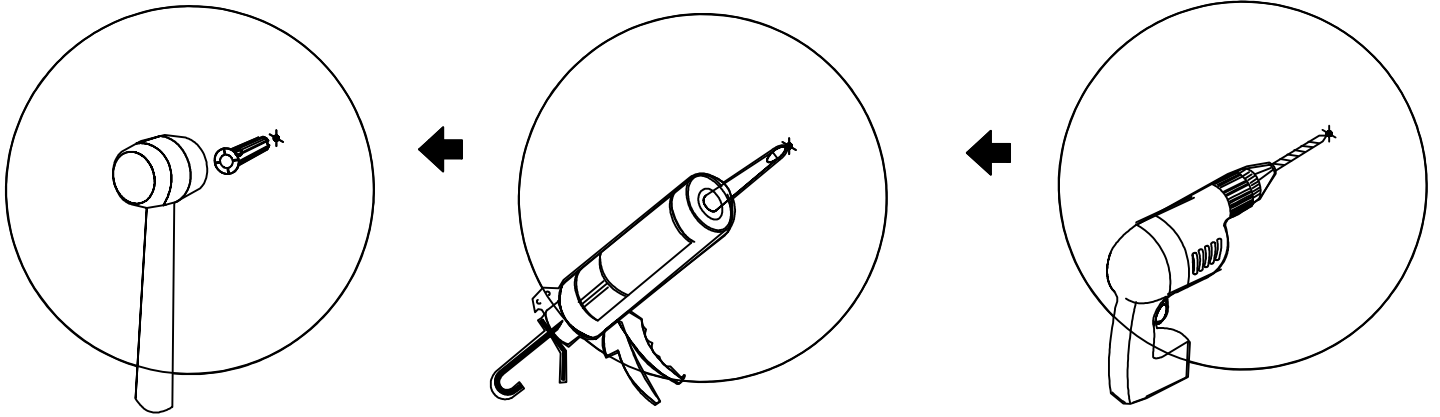


STEP-2: Install the wall profile

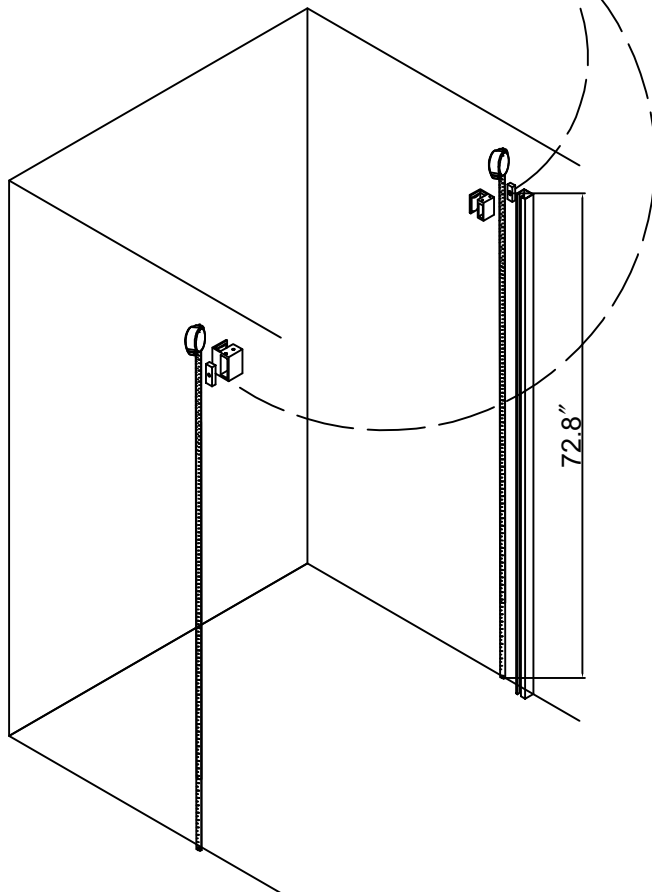
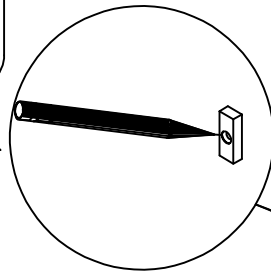
1. Apply glass glue on the back of side profile
2. Use ST-4*25 stainless steel tapping screws to fix the side profile on the wall.



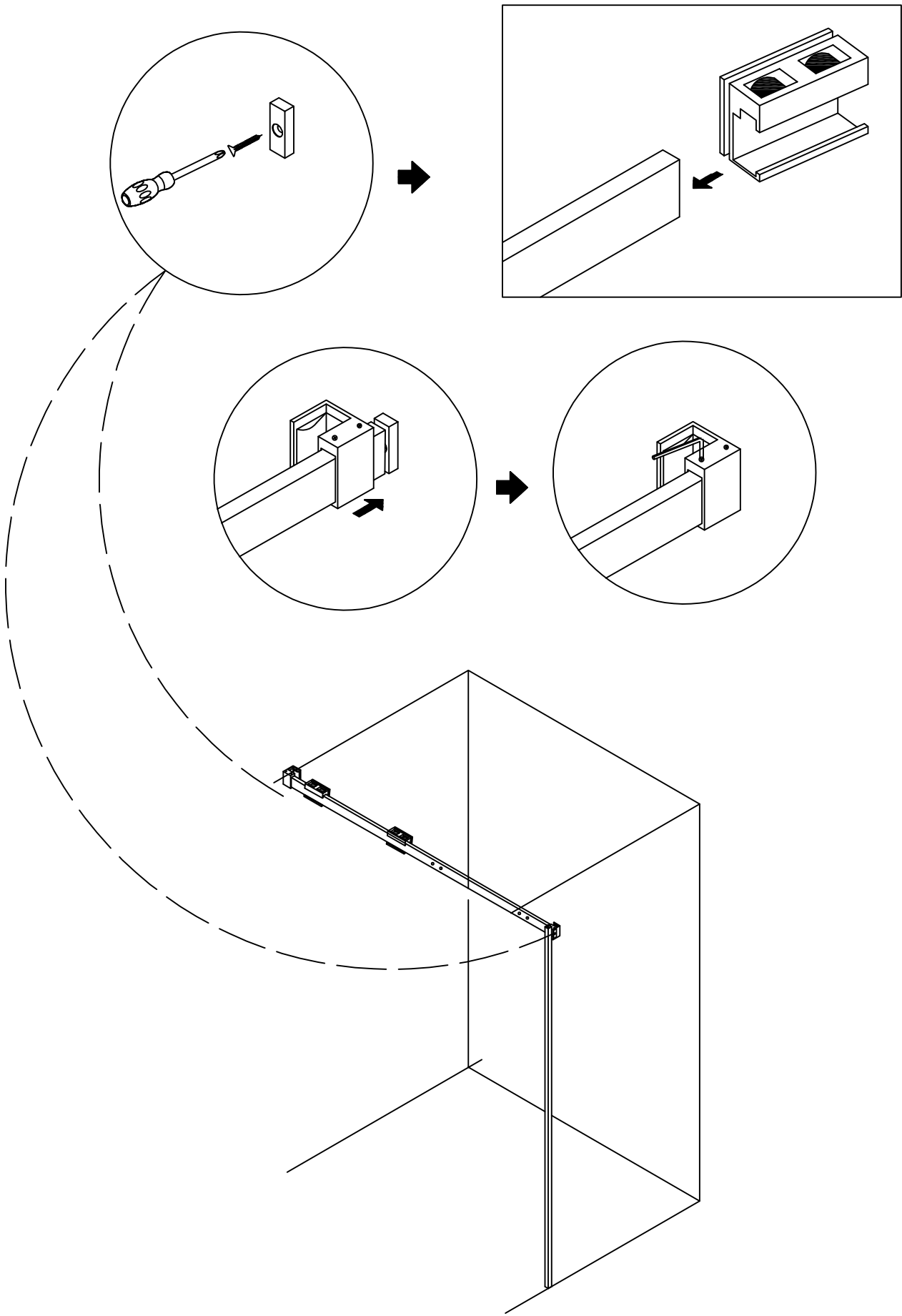
STEP-3: Install wall lock seat.



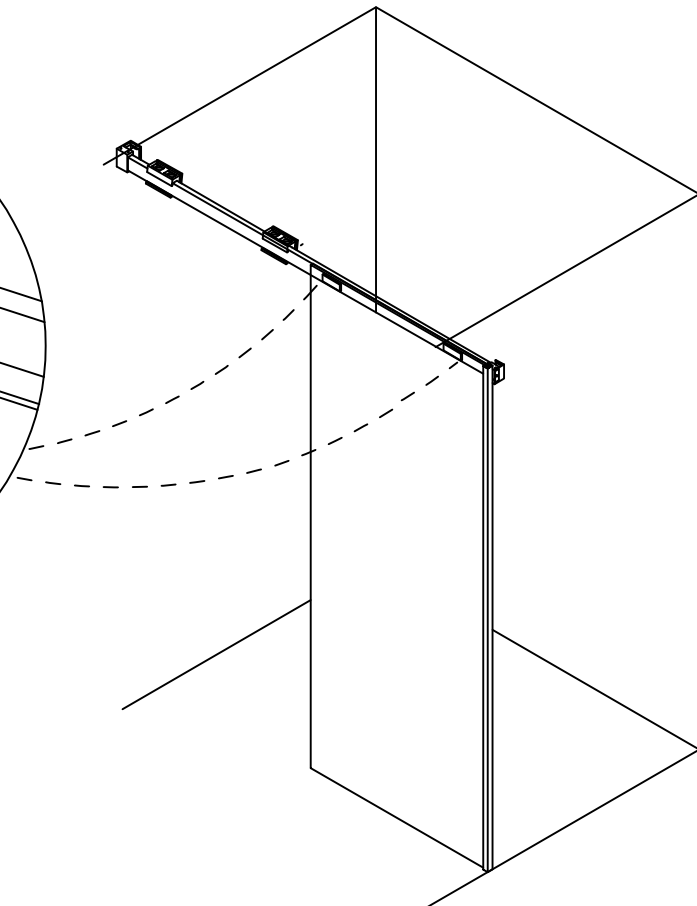
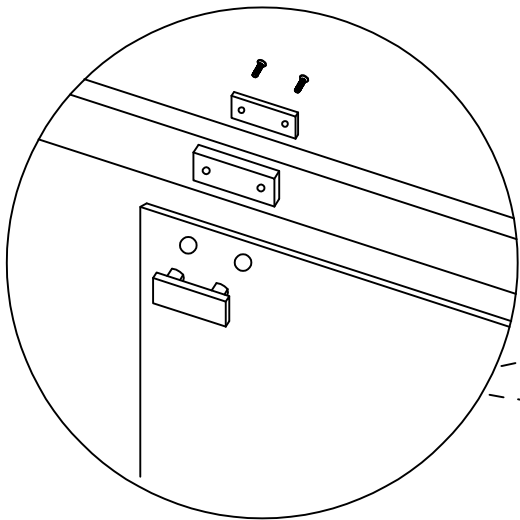
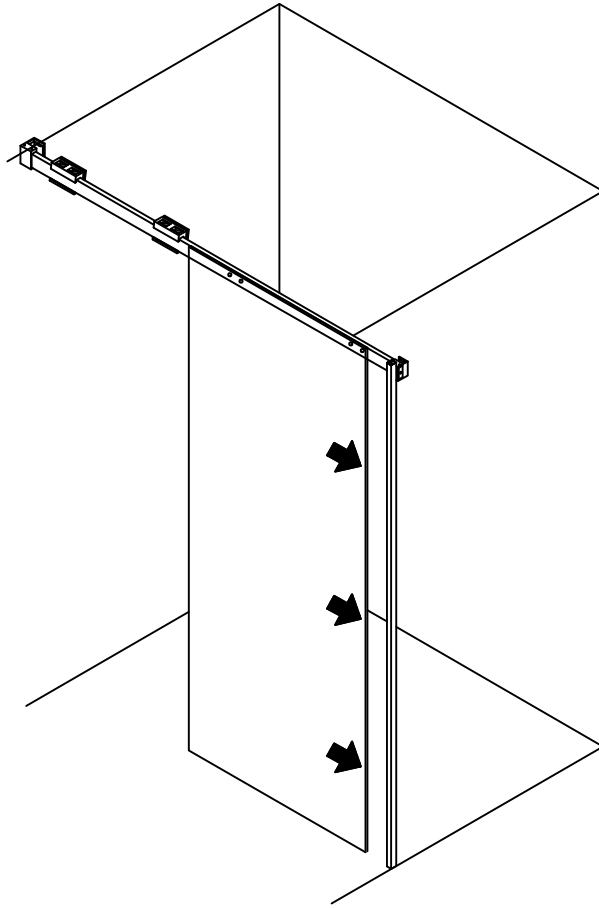
Measure the vertical height, put the lock wall seat on the right place, and mark the hole location.



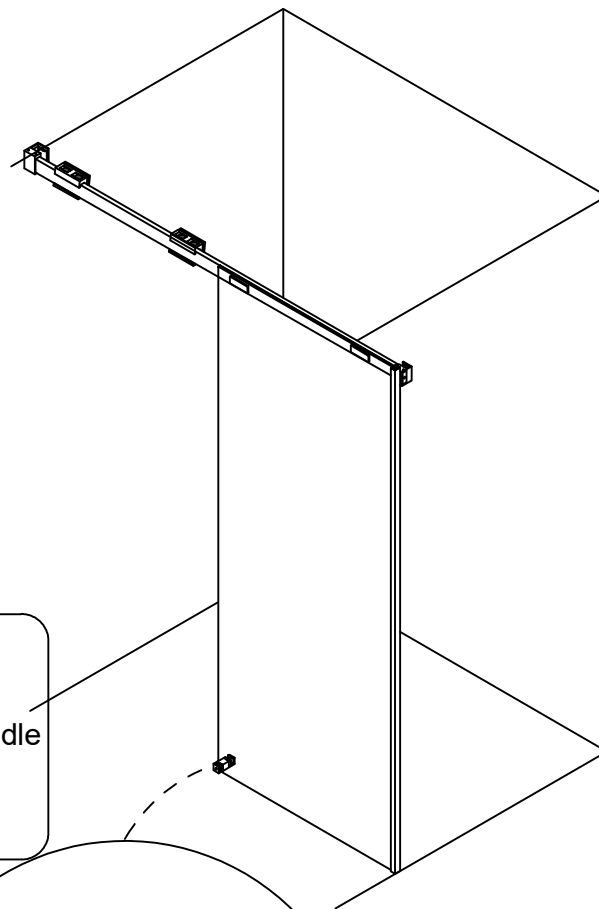
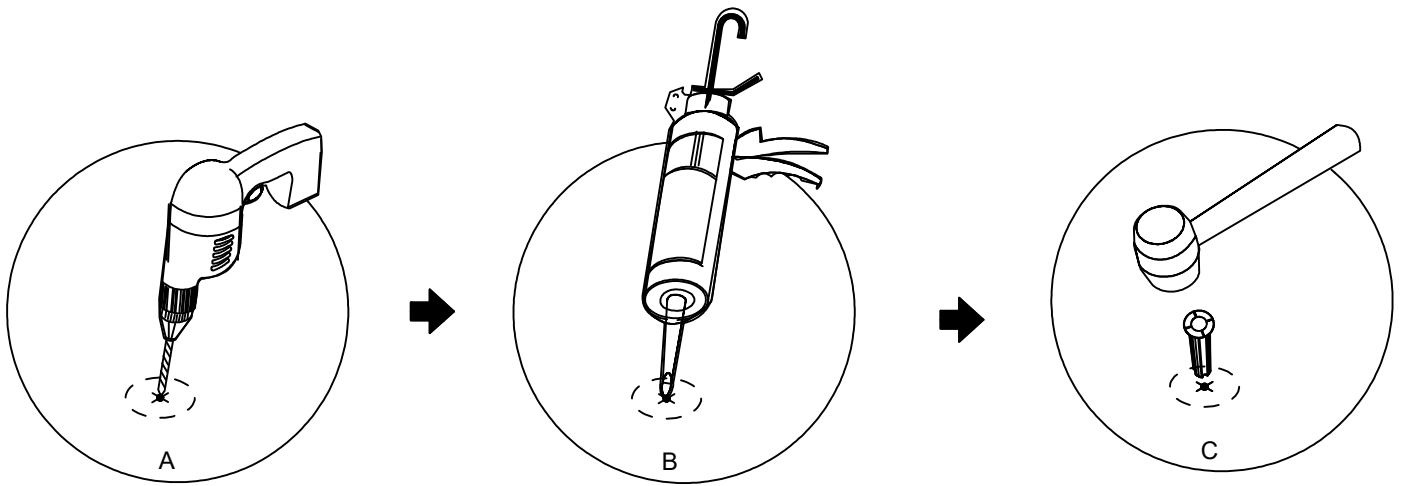
Step 4: Install upper rail.



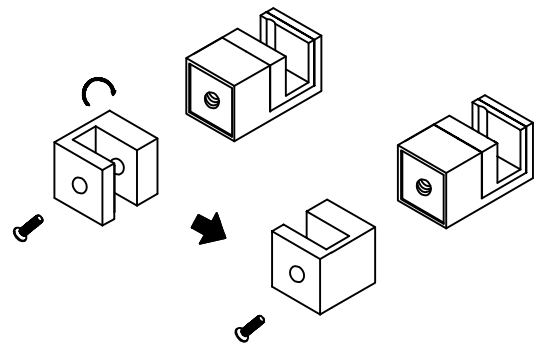
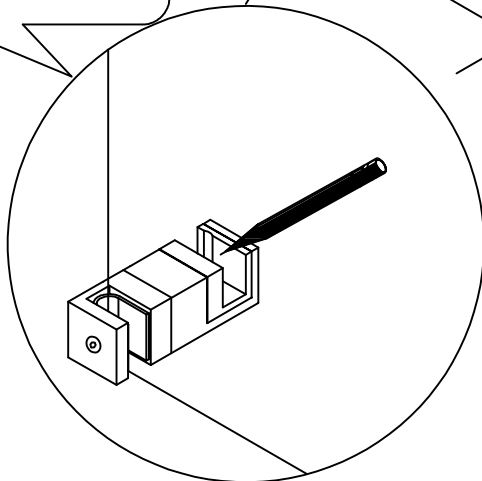
Step 5: Install the fixed glass



Step 6: Mark guide block holes and punch holes.

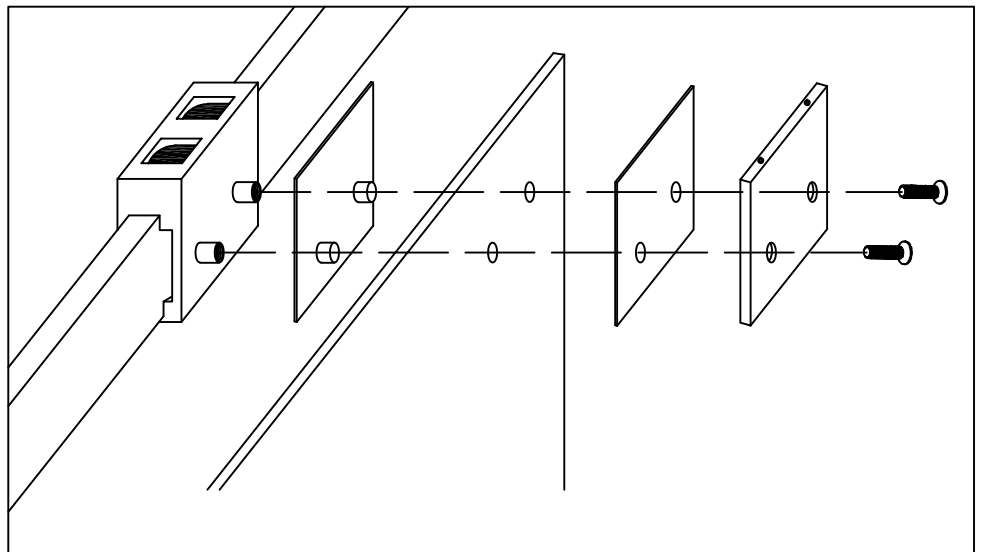
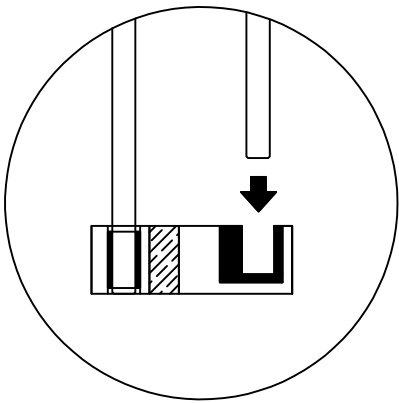
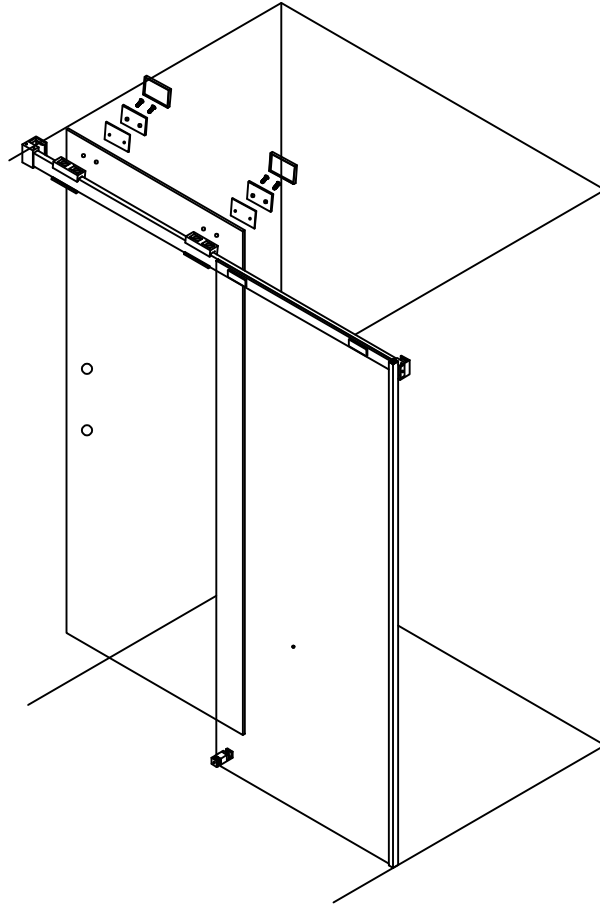


Install the positioning
guide block in the middle
place.

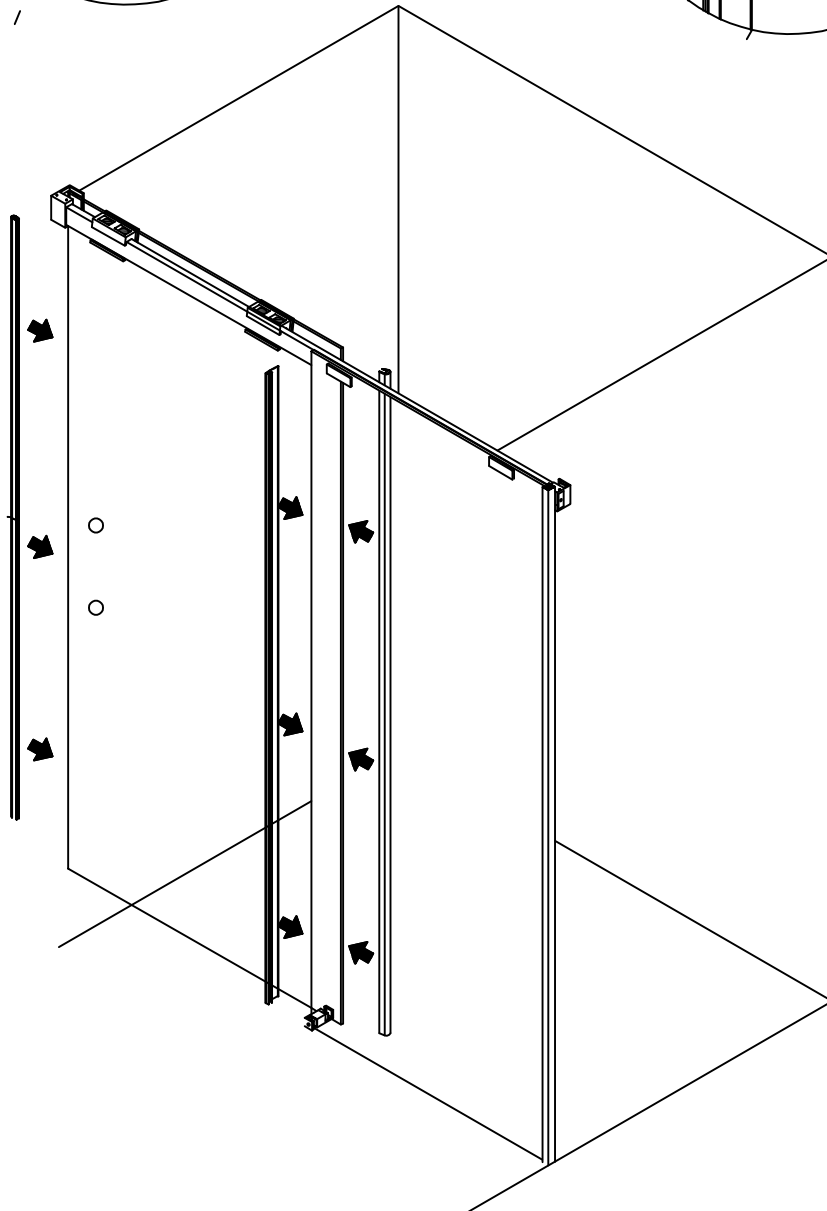
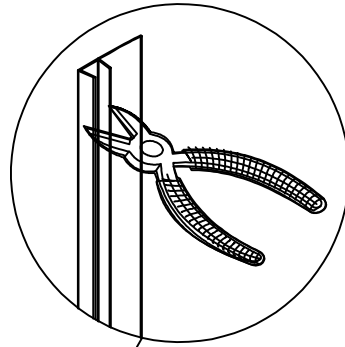
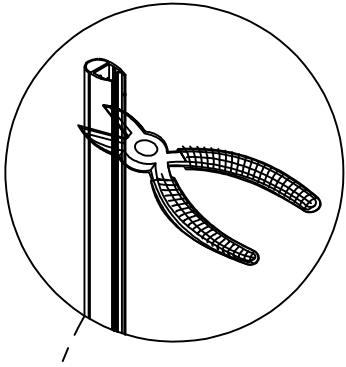
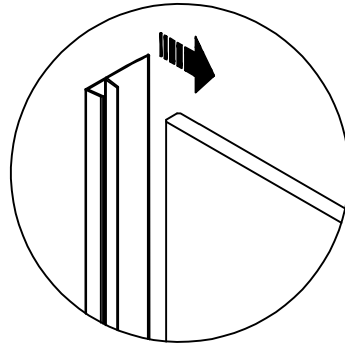
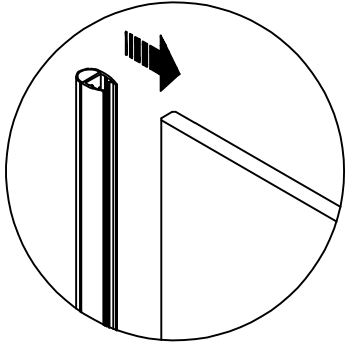


Separate the guide block to change the direction

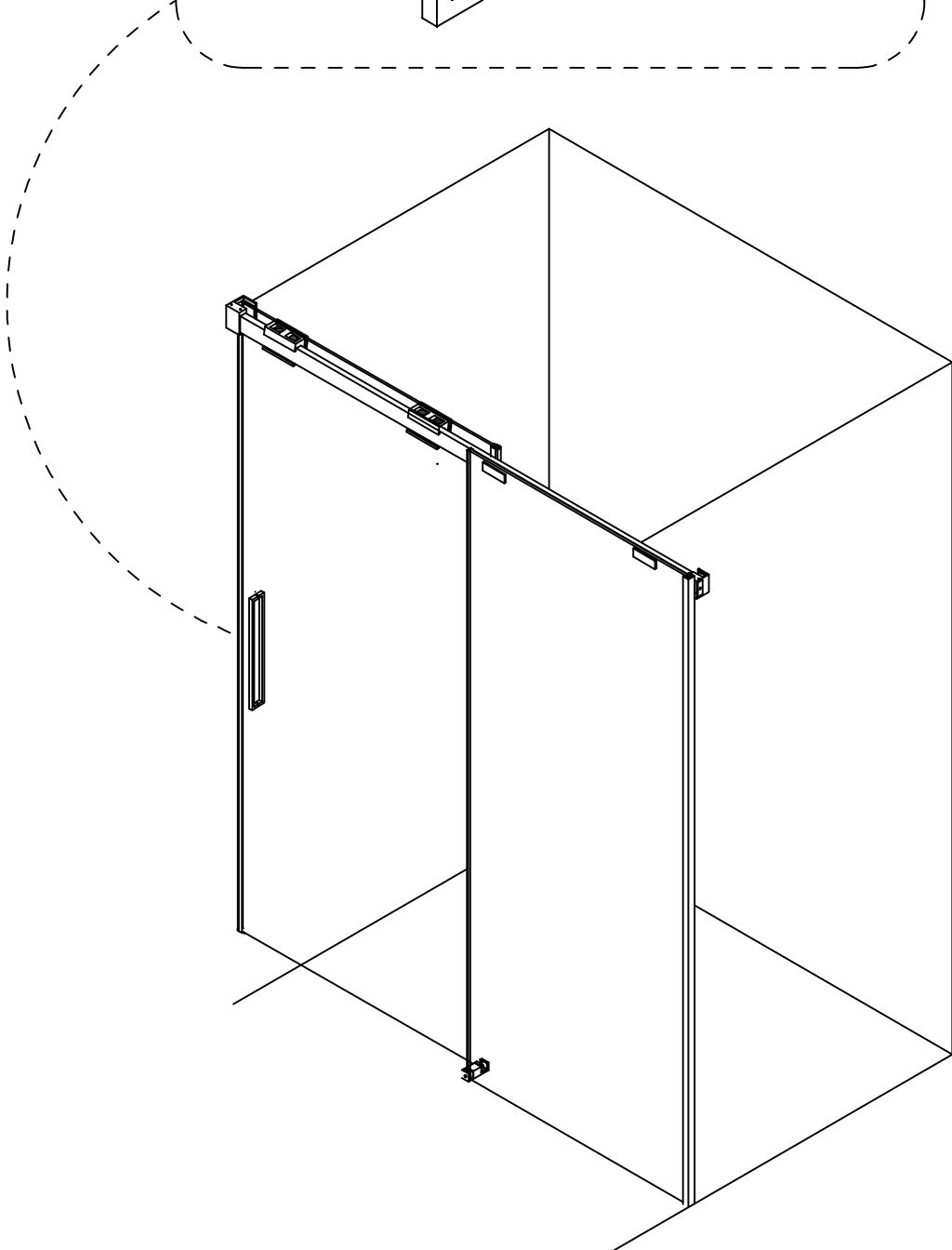
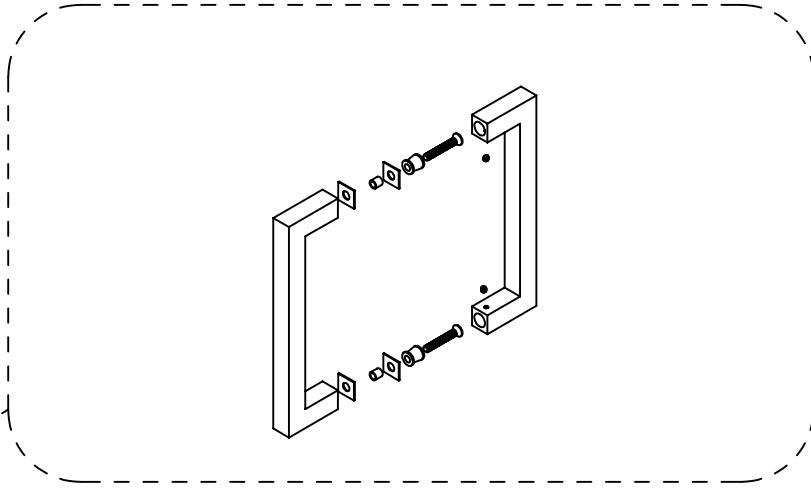
Step 7: Mark guide block holes and punch holes.



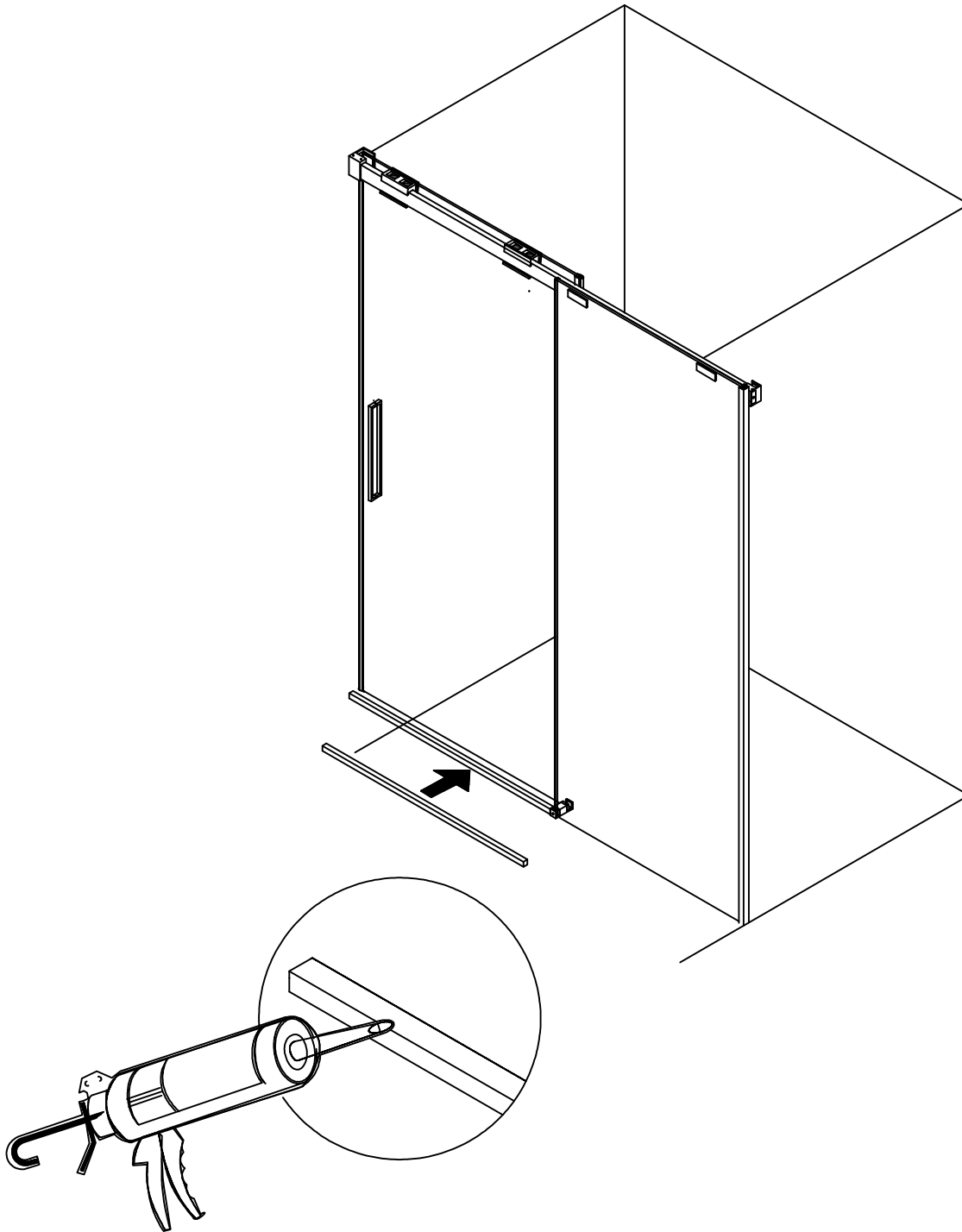
STEP-8: Install strip.



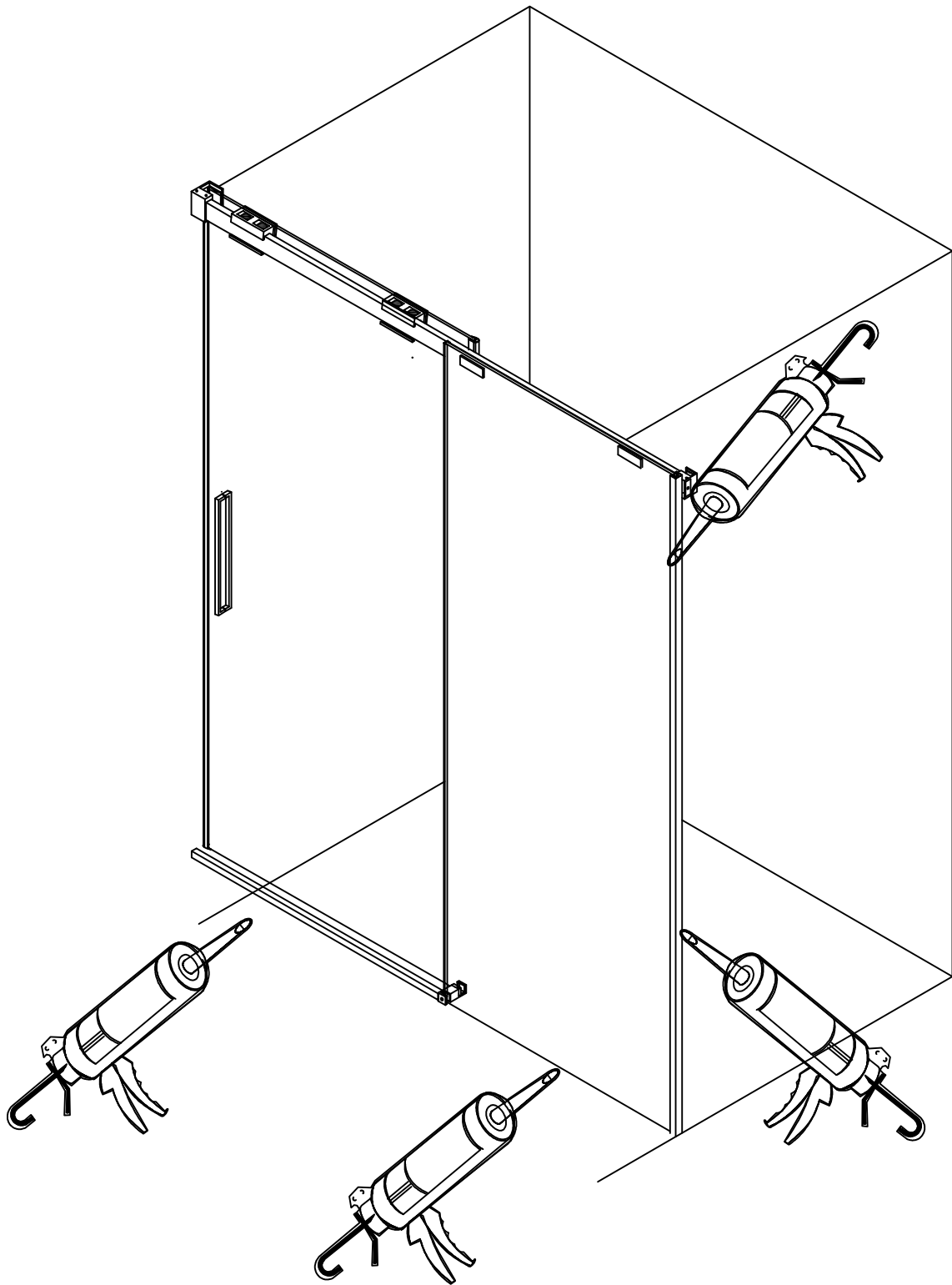
STEP-9:Install handle.



STEP-10: Install lower waterproof threshold



STEP-11: Secure with glass glue.



24 HOURS