

# *ASSEMBLY INSTRUCTIONS*



## ***CEDAR CHEST***

# ASSEMBLY INSTRUCTIONS

## ASSEMBLY TIPS:

1. Remove hardware from box and sort by size.
2. Please check to see that all hardware and parts are present prior to start of assembly.
3. Please follow attached instructions in the same sequence as numbered to assure fast & easy assembly.



### WARNING!

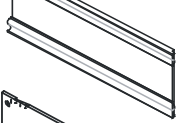
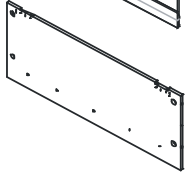
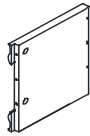
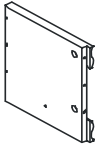
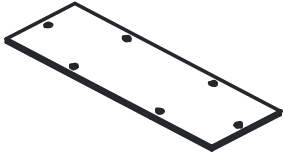
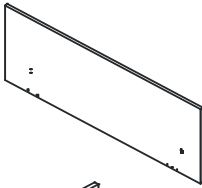


1. Don't attempt to repair or modify parts that are broken or defective. Please contact the store immediately.
2. This product is for home use only and not intended for commercial establishments.



ASSEMBLY TIME


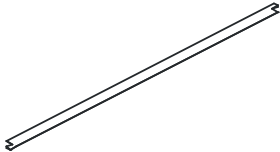
30 MINUTES

## PARTS IDENTIFICATION

A	FRONT PANEL		1 PC
B	BACK PANEL		1 PC
C	LEFT SIDE		1 PC
D	RIGHT SIDE		1 PC
E	BOTTOM PANEL		1 PC
F	TOP PANEL		1 PC
G	LEG		4 PCS
H	LEFT ADHESIVE FLANNELETTE		1 PC

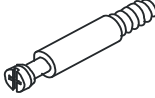





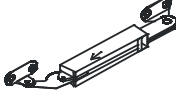

# ASSEMBLY INSTRUCTIONS

## PARTS IDENTIFICATION

I	RIGHT ADHESIVE FLANNELETTE		1 PC
J	LONG ADHESIVE FLANNELETTE		1 PC

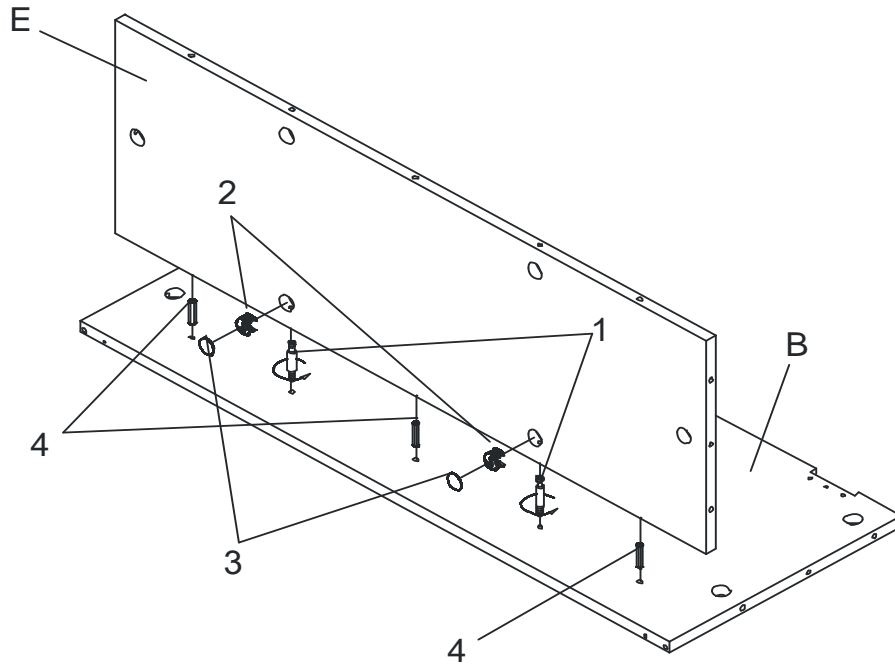
# ASSEMBLY INSTRUCTIONS

## HARDWARE IDENTIFICATION

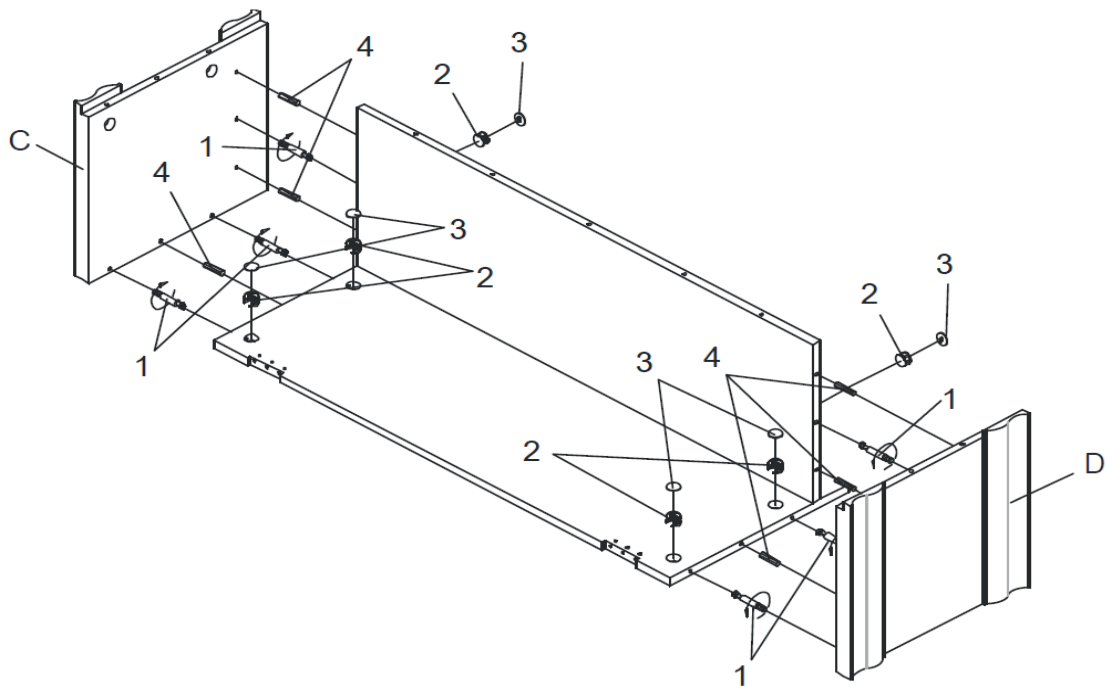
1	<b>CMA BOLT</b> (Ø7 x 35mm SR)		14 PCS
2	<b>CAM LOCK</b> (Ø25 x 11mm SR)		14 PCS
3	<b>CAM LOCK COVER</b> (Ø30 x 10mm)		14 PCS
4	<b>WOOD DOWEL</b> (Ø8 x 30mm)		22 PCS
5	<b>HINGE</b> (76 x 1.6mm)		2PCS
6	<b>SCREW</b> (Ø6 x 1/2" BLK)		24 PCS
7	<b>LID SUPPORT</b> (160 x 30 x 16mm)		2 PCS
8	<b>SCREW</b> (Ø7 x 1-1/8" RBW)		8 PCS

# ASSEMBLY INSTRUCTIONS

## STEP 1

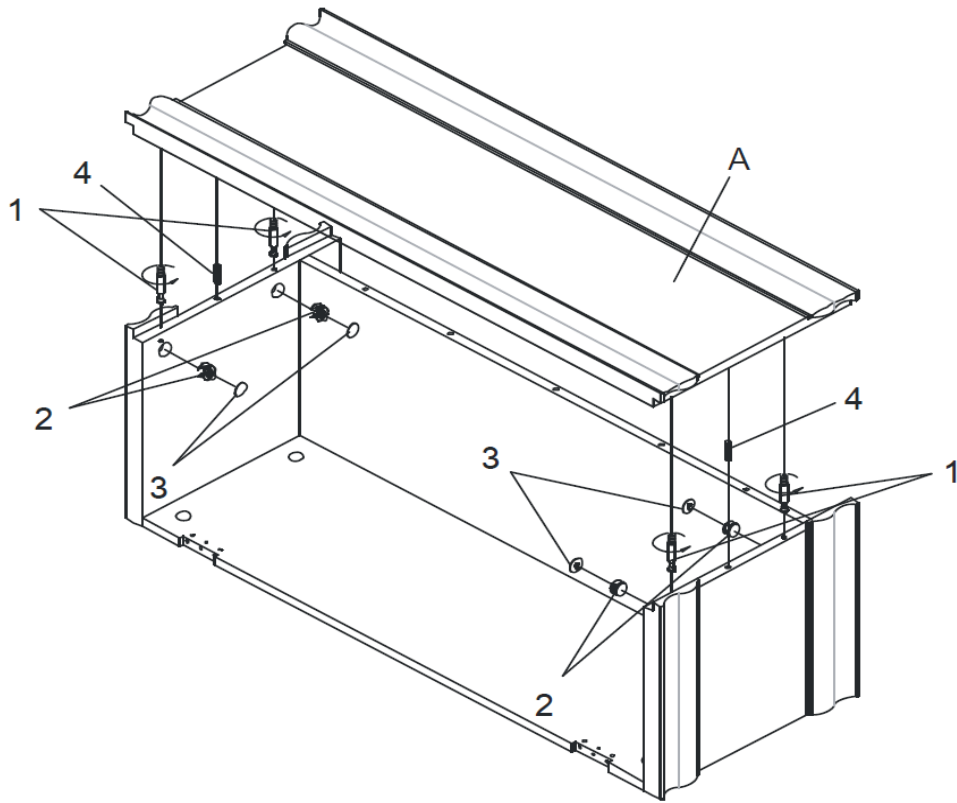


## STEP 2

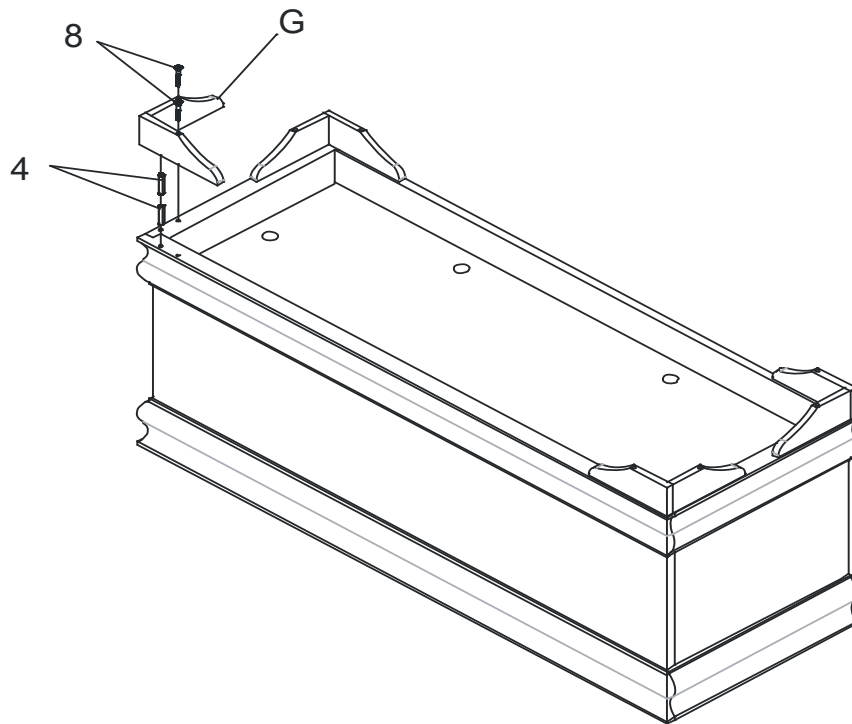


# ASSEMBLY INSTRUCTIONS

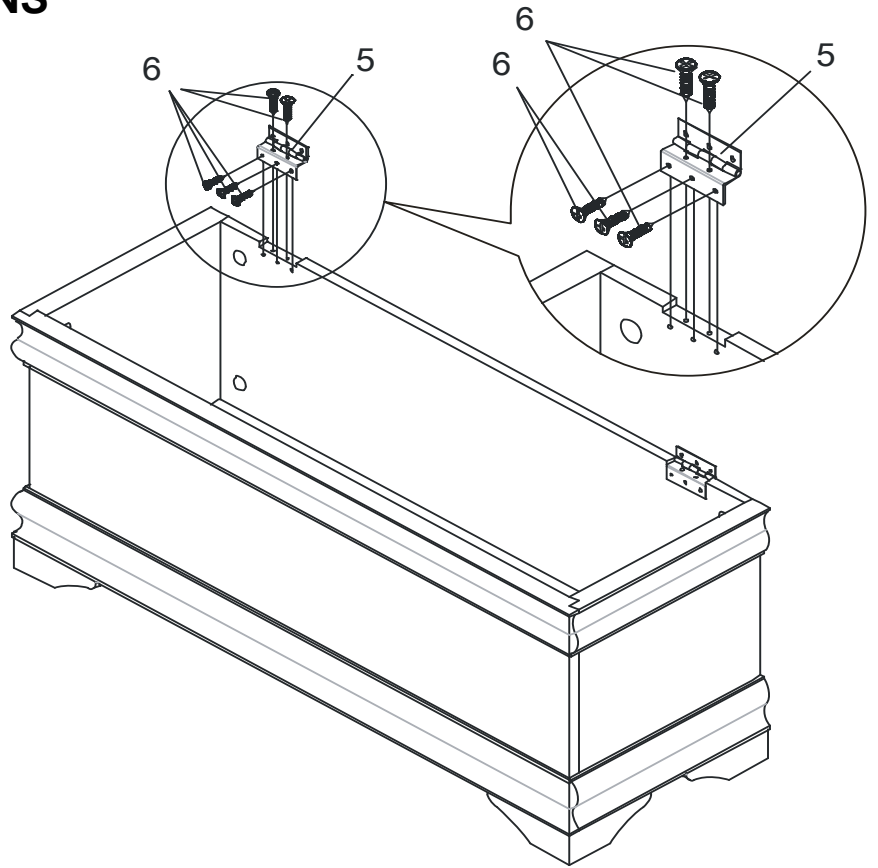
## STEP 3



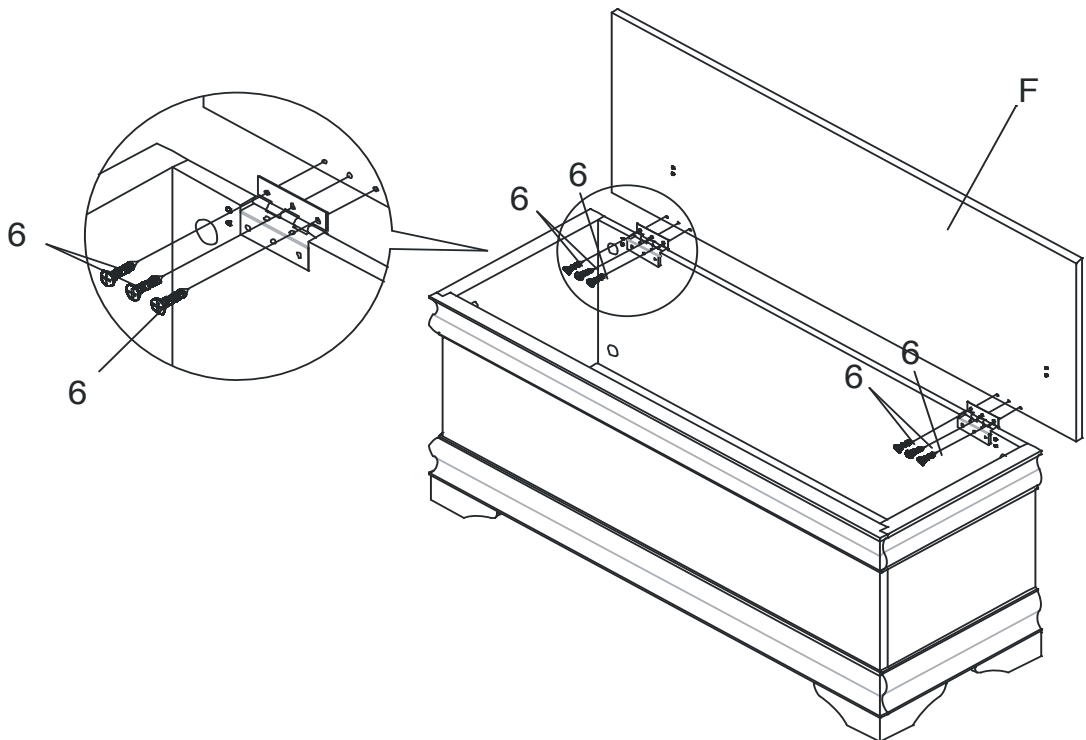
## STEP 4



**ASSEMBLY INSTRUCTIONS**  
**STEP 5**

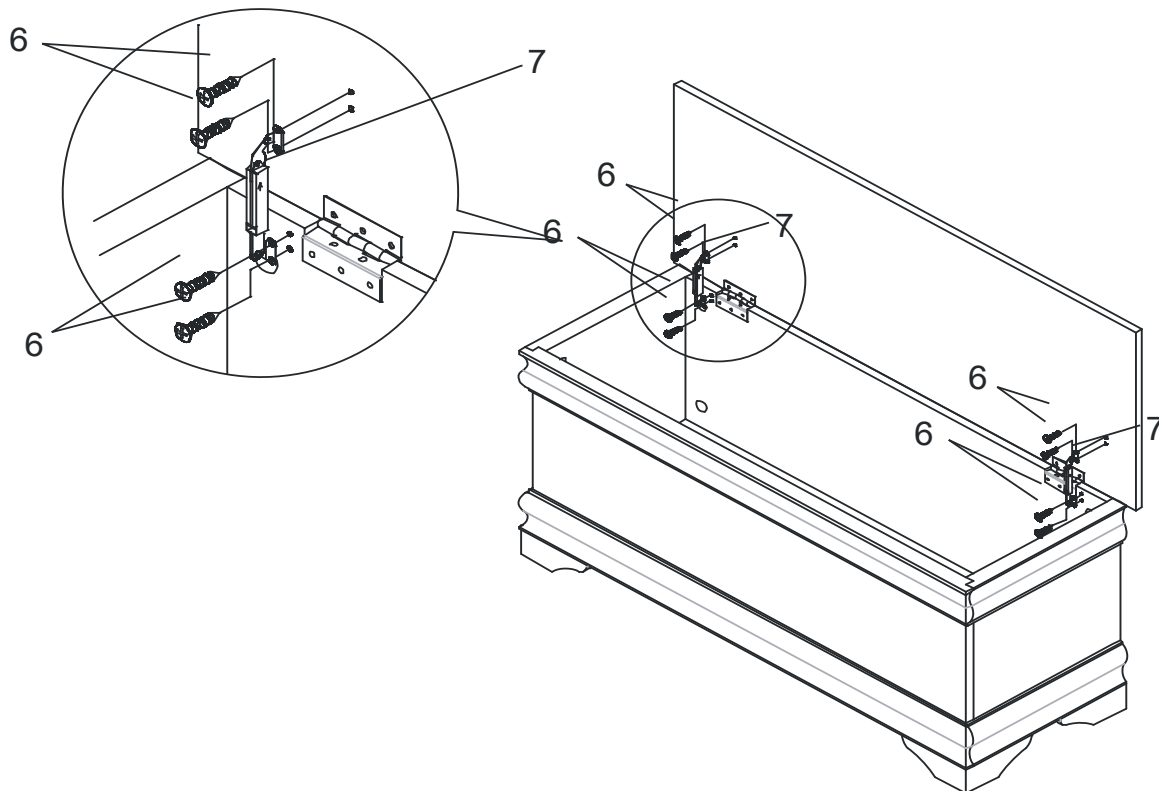


**STEP 6**

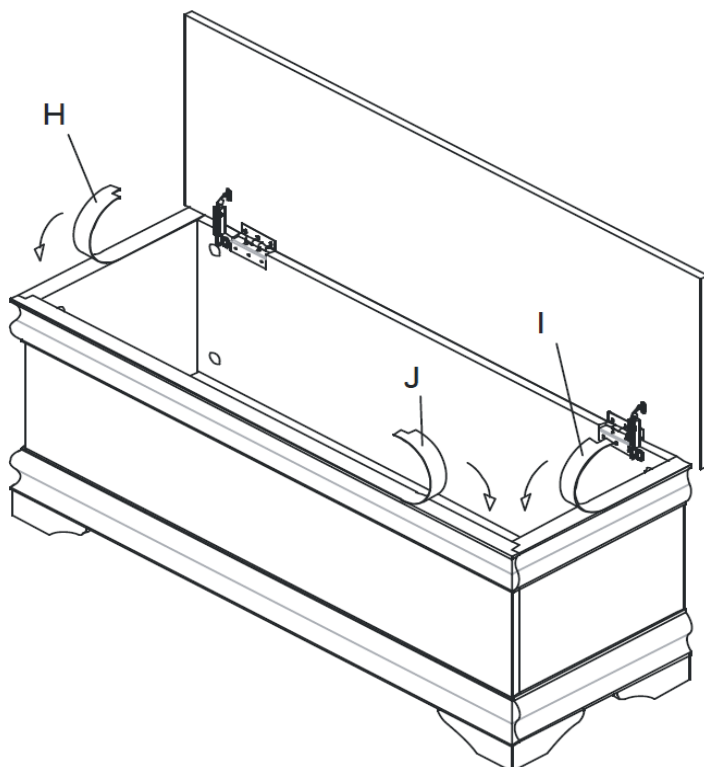


# ASSEMBLY INSTRUCTIONS

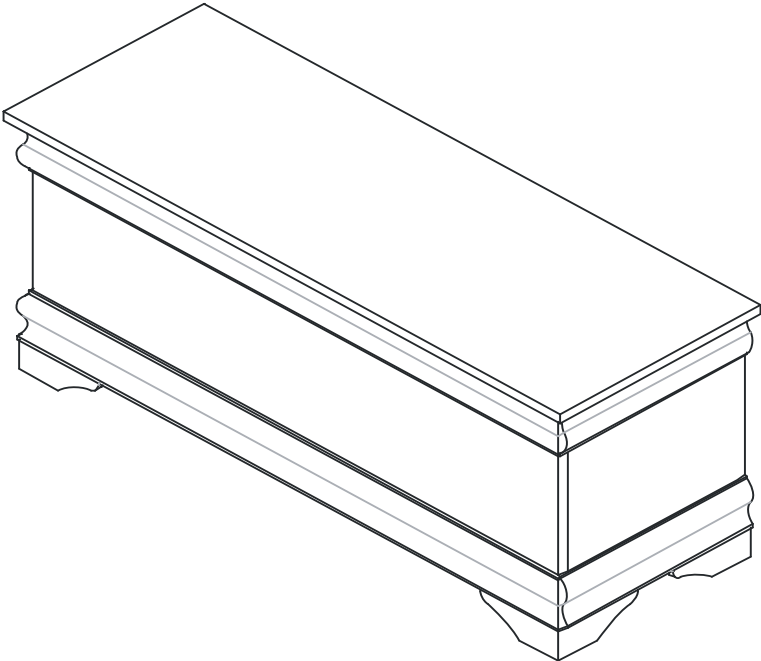
## STEP 7

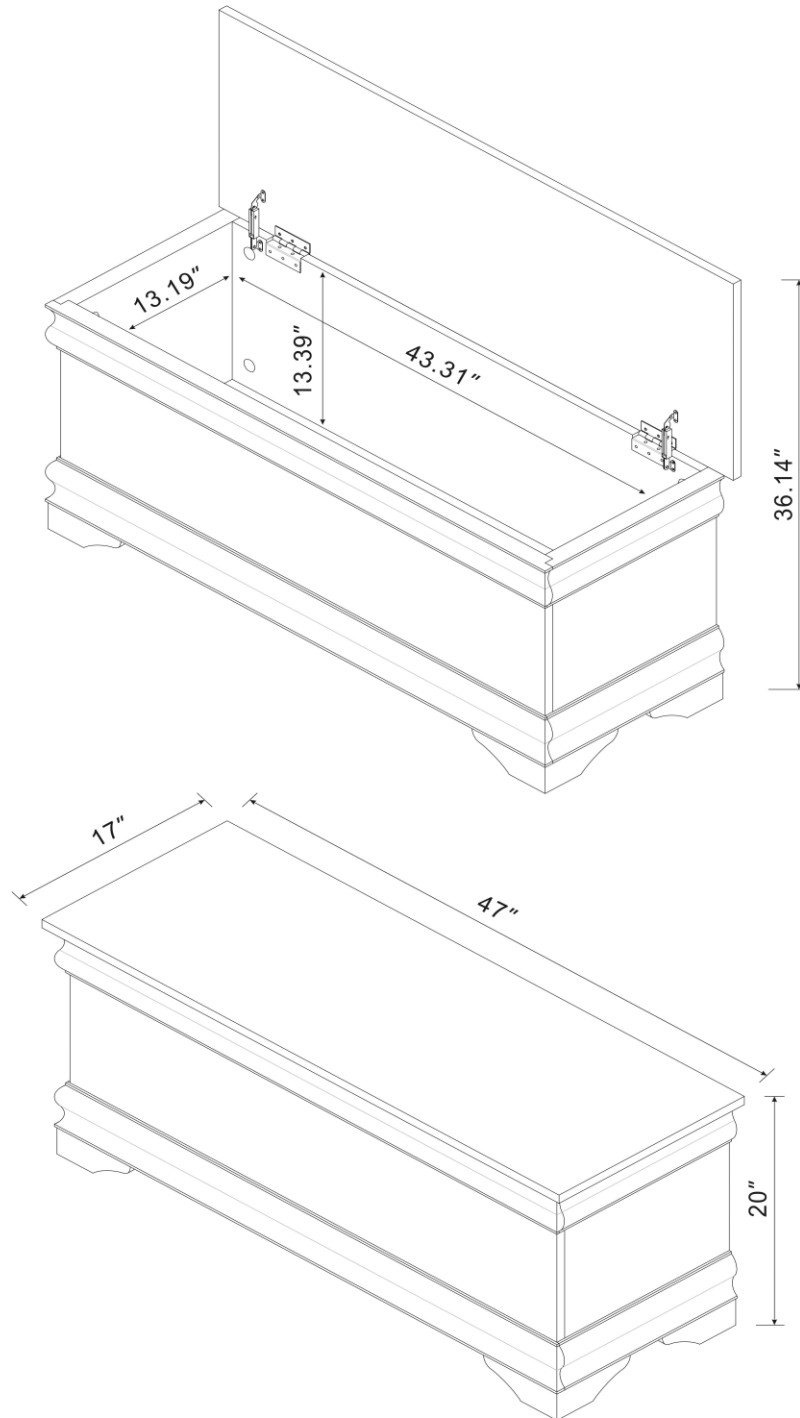


## STEP 8



**ASSEMBLY INSTRUCTIONS**  
**STEP 9**  
**COMPLETE**





**Note :** Dimension tolerance  $\pm 5\%$