

Description: Antoinette Hutch Antoinette Buffet

Product size: 68.5" x 21.25" x 89"H

Your furniture purchase is an investment. Furniture can last lifetimes, with a minimal amount of effort. Here are a few tips to properly care for your furniture, ensuring that it looks great year after year.

Wood Furniture Maintenance:

- Always dust, wipe, and clean with the grain of the wood.
- Dust with a soft cloth. Dust will scratch the furniture surface if not removed properly.
- Use the same type of polish consistently as interchanging oil-based and wax-based polishes will cause a build-up and result in a foggy or cloudy appearance.
- If a polished surface become foggy, rub it with a cloth dipped in a solution of one tablespoon vinegar to one quart of water. Rub softly with the grain until the surface is completely dry.
- Soap and water are not advisable for wood surface, causing damage.
- Remember to change dusting cloths frequently as dirty cloths may scratch your furniture's surface.

The Enemies of Wood:

- Moisture is wood's worst enemy. Liquid spills should be gently wiped up immediately. Coasters should be used under all beverages.
- Do not allow rubber or vinyl materials to lie on the furniture. Chemicals in rubber may leave a stain. Put a strip of felt or leather under accessories that have rubber or vinyl.
- Heat creates a chemical change in the furniture's finish, which results in a white spot. Use protective pads under hot dishes, appliances, etc.
- Sunlight's ultraviolet rays can damage the finish of furniture. Do not place furniture directly against a heater or radiator and do not place in the path of hot streams of air from central heating. This will cause extreme localized drying of the wood.

High Gloss Resin Table Maintenance:

- Resin tabletops have approximately 1/8" of a resin coat on the top face of the table, which will resist ice, water, wine, liquor, food, cleaning fluids, and warm or hot liquids: however, cups, glasses, etc, containing hot liquids should not be left on the table without a coaster for protection.
- Resin tabletops will scratch just the same as any other glossy surface and basic precautions should be taken.
- For lasting shine, the resin table should be waxed with a car wax that does not contain silicon. Maintaining this wax build-up will result in a high gloss shine.
- When wiping down the table, a soft, clean rag should be used. Do not use a heavy paper.

Granite Top Maintenance:

The surface of the granite on your table has been polished or sealed to create a generally non-porous surface. The stone has many natural characteristics including: veining, hairline cracks, and color variations which make up the stone's beauty.

To maintain the beauty of your granite:

- Protect surfaces from scratching, staining and etching by
 - * Keeping them free of debris or sharp objects.
 - * Wiping up spills immediately.
 - * Avoiding contact with chemicals (particularly acid-based materials)
- Clean with pH neutral products or those especially formulated for use on stone.
- Renew the surface on polished granite (granite with a high gloss surface) by buffing with special stone polish, powder or cream.
- Do not use granite polish on granite with a matte finish, which has been honed rather than polished. (Penetrating sealer may be used on both polished and honed granite)

Granite Top Maintenance:

Marble may be stone, but it is porous stone and can stain easily. Treating marble surface the same as wood surfaces is a great rule of thumb.

-It is recommended to seal the tops on a regular basis (every 6 to 12 months).

A good quality stone sealer can be purchased from any tiles/stone store or any homecare store and should be applied according to the manufacturer's recommendation.

-When sealed properly, marble tops can be used indoors and outdoors and can withstand any weather conditions except internal freezing. Snow or freezing rain will penetrate the table and cause cracks.

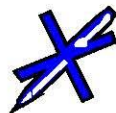
Caring for the Fabric on Upholstered Furniture:

- Frequent vacuuming of the entire upholstered area will prevent dust from settling in to the fibers.
- Professional cleaning is always recommended for all upholstered pieces.
- Always pre-test a small area of fabric in an inconspicuous area when cleaning before proceeding.
- Do not use cleaning products containing brightening agents.

VERY IMPORTANT !!

NEVER
USE GLASS CLEANERS
ON FINISHED SURFACE
AMMONIA WILL
CHEMICALLY ATTACK
THE FINISH.

DO NOT
WRITE
DIRECTLY
ON
SURFACE



PREVENT
MARKING

DO NOT
PLACE
DIRECTLY
IN
SUNLIGHT



PREVENT
FADING

DO NOT
WRITE
PLACEMATS
WITH
RUBBER
BASES



PREVENT
DISCOLORING

NEVER
ALLOW LIQUIDS OF ANY
KIND TO LINGER ON
SURFACE ABSORPTION
CAUSES THE WOOD TO
WARP AND THE FINISH
TO DE LAMINATE

DO NOT USE
COMMERCIAL
POLISHES
AND WAXES



PREVENT
YELLOWING

DO NOT
PLACE HOT
POST, ETC
ON SURFACE



PREVENT
DAMAGE TO
FINISH

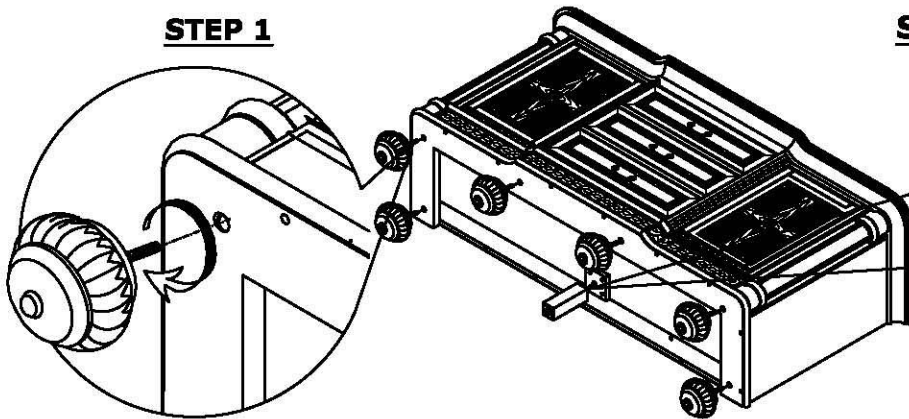
DO NOT USE
COMMERCIAL
POLISHES
AND WAXES



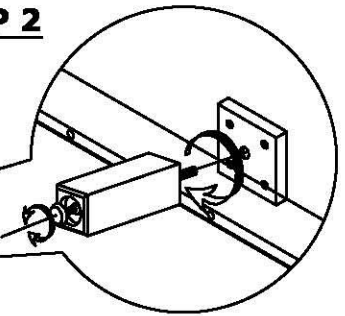
PREVENT
SPLITTING

ASSEMBLY INSTRUCTIONS

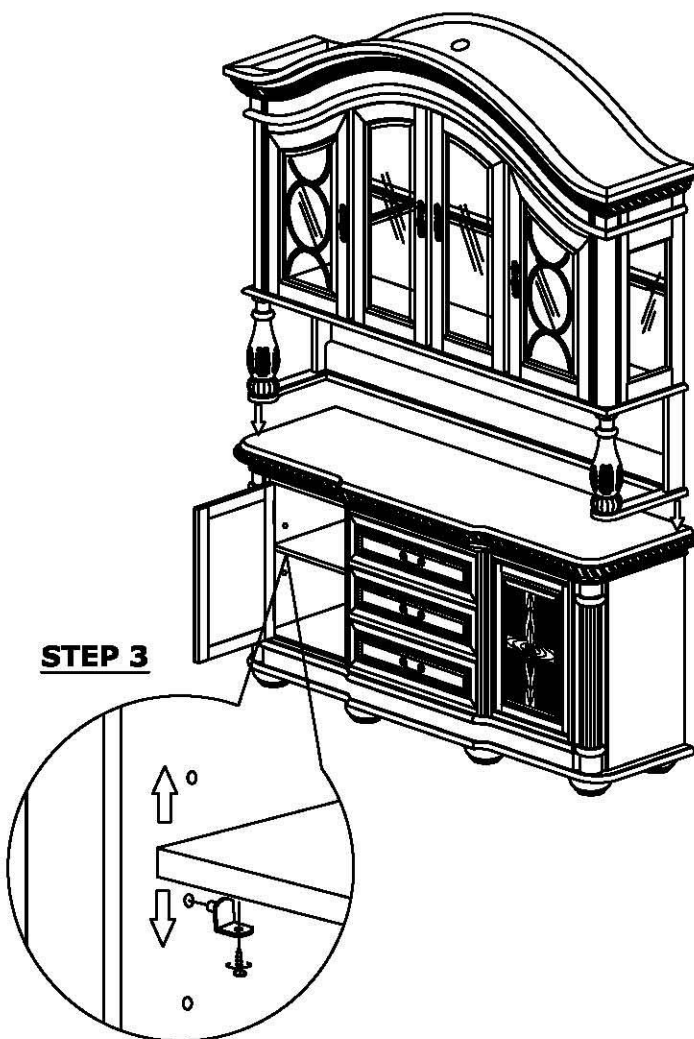
STEP 1



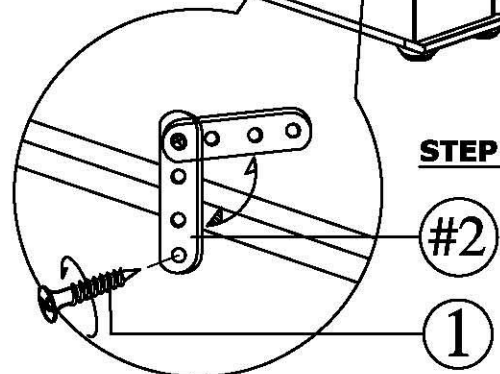
STEP 2



STEP 3



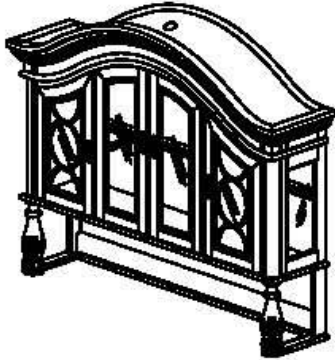
STEP 4



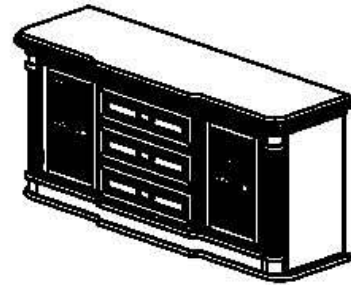
- 1:** Place the buffet(B) down on a flat and smooth surface. Attach the bun foot(C) to the bottom of the buffet. Repeat this step for the remaining five bun feet. (as shown in step 1)
- 2:** Attach the leg support(D) to the bottom of the buffet(B). (as shown in step 2)
Carefully, return the buffet to its upright position.
- 3:** Place carefully the Hutch (A) onto the Buffet (B).
To adjust the wooden shelf remove the wood screws (as shown in step 3).
- 4:** Adjust the two metal plates (#2) direction to align holes with the pre-drilled hole on the back. Secure the metal plates pre-attached with screws (1) using philips-head screwdriver (not provided),(As shown in step 4).

PARTS LIST

(A) Hutch
(1Pc)



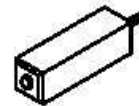
(A) Buffet
(1Pc)




(A) Bun Foot
(6Pcs)



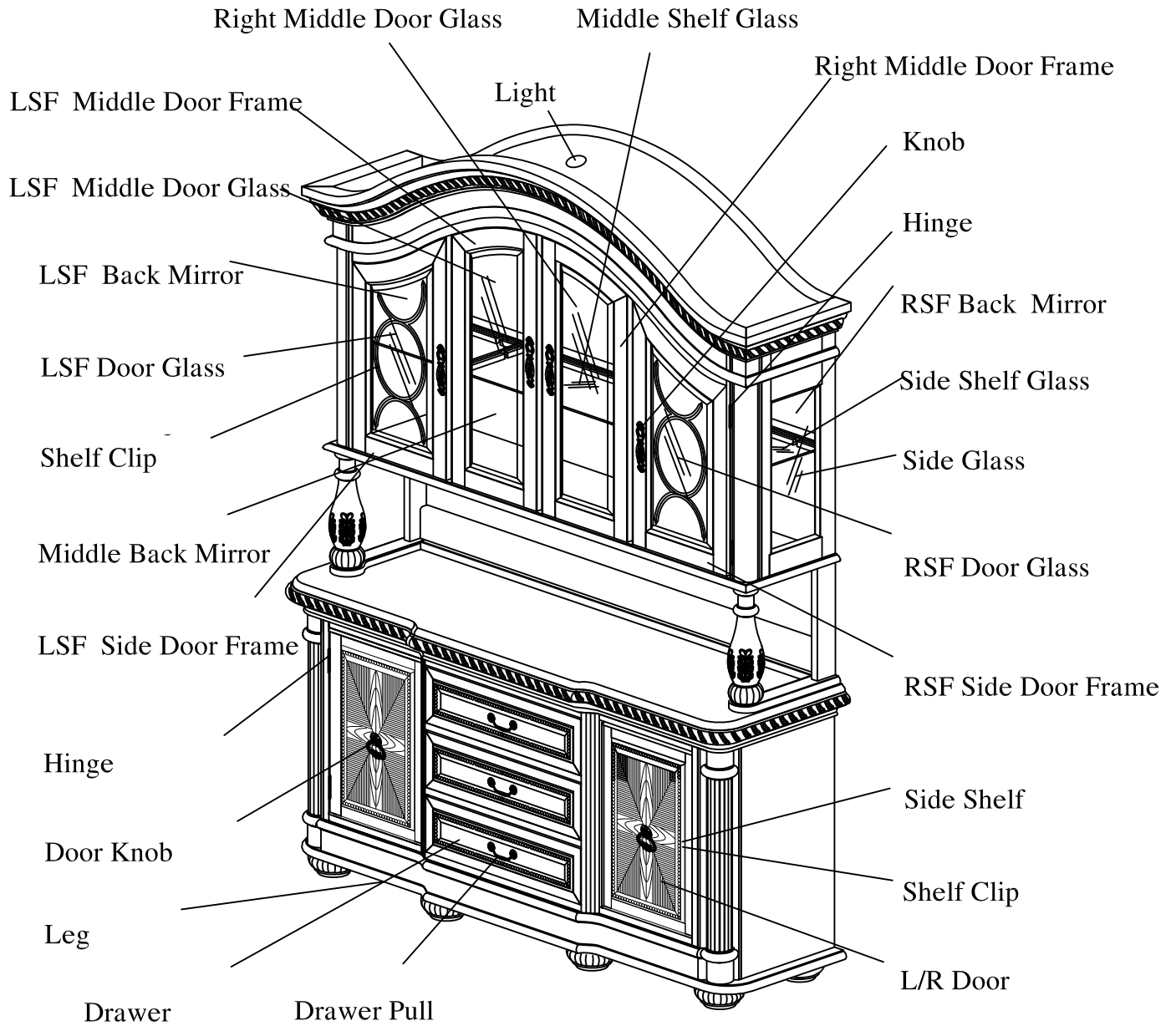
(D) Leg support
(1Pc)



Hardware Pack

NO.	Description		Dimension	Q'TY
1		Wood Screw	Φ8 x 19mm	6 Pcs

Parts COMPLETE HARDWARE



HUTCH PRODUCT DETAILS	
TOP PANEL	CHERRY VENEER ON PW
DOOR FRAME	RUBBER WOOD
PILLAR	POLY
SHELF	GLASS
PRODUCT SIZE	67.75" x 16" x 54.5"H
CARTON SIZE	70.375" x 18.75" x 59.25"
NET WEIGHT	145.2LBS
GROSS WEIGHT	200.2LBS
CUFT	45.25

BUFFET PRODUCT DETAILS	
TOP PANEL	CHERRY VENEER ON MDF
DOOR	RW + CHERRY VENEER ON MDF
DRAWER	CEDAR BURL ON MDF
SHELF	CHERRY ON PB
FOOT	POLY
PRODUCT SIZE	68.5" x 21.125" x 34.875"H
CARTON SIZE	71.75" x 24.25" x 36.625"
NET WEIGHT	180.4LBS
GROSS WEIGHT	213.4LBS
CUFT	36.89'

MADE IN VIETNAM