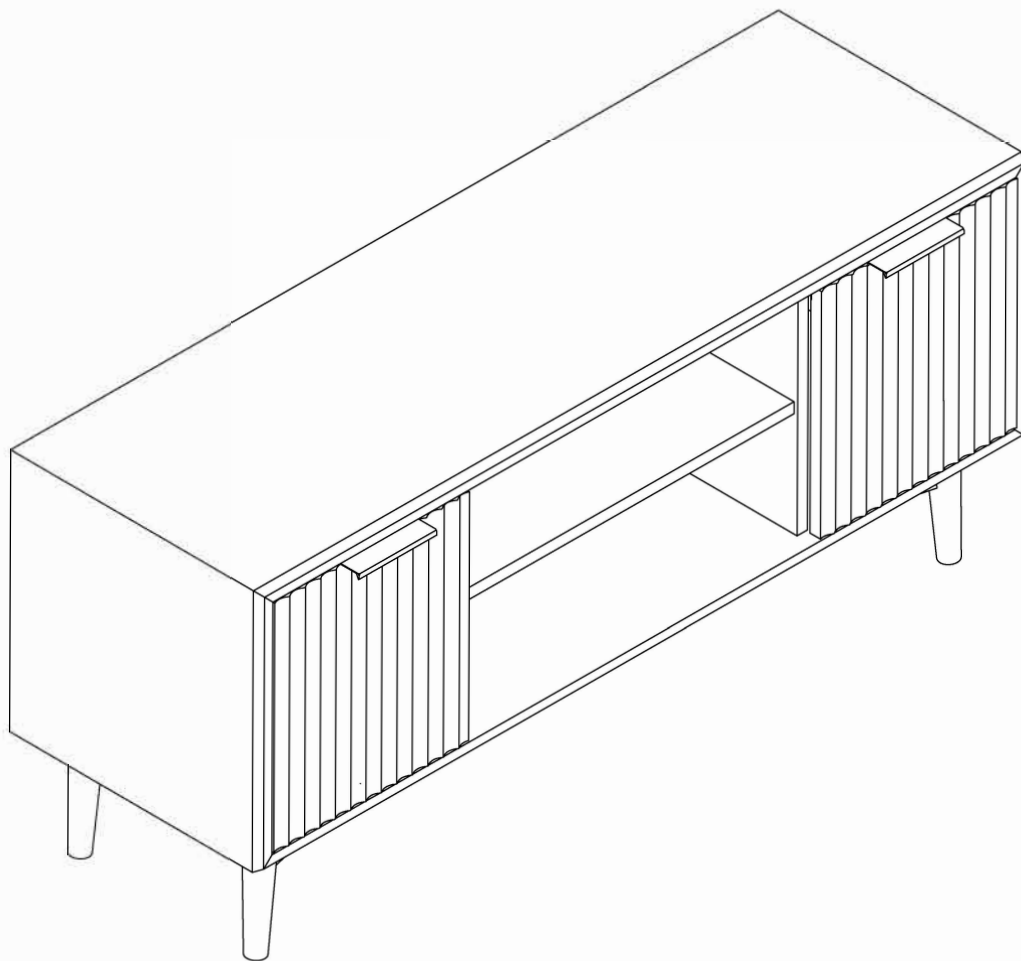


TV Unit
BLACK / GREY

Instruction manual

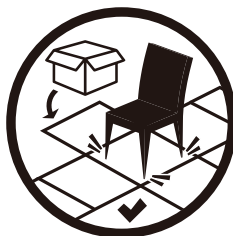




SAFETY AND CARE ADVICE

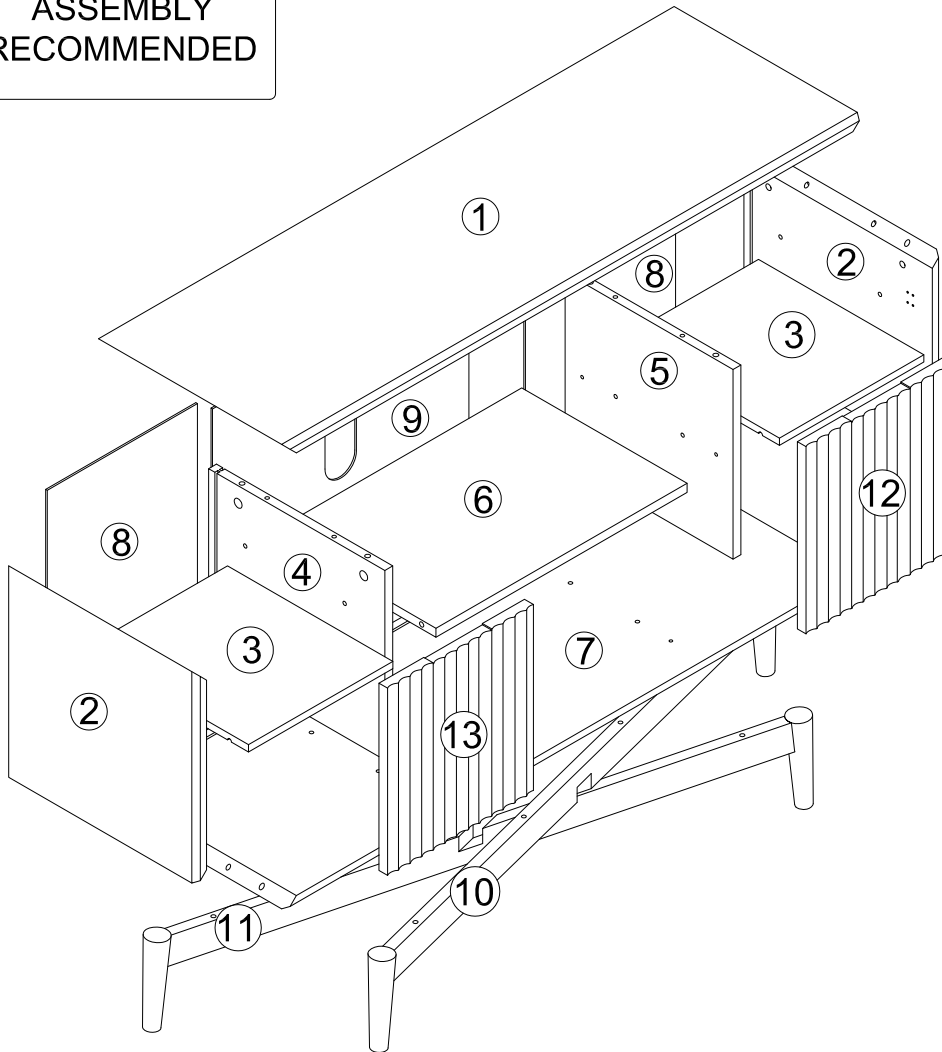
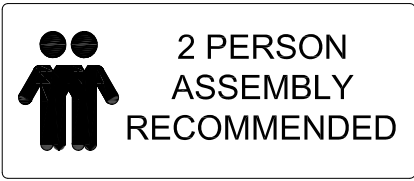
PLEASE READ THESE INSTRUCTIONS CAREFULLY AND KEEP FOR FUTURE

- *Check you have all the components and tools listed on pages 2 or 3.*
- *Remove all fittings from the plastic bags and separate them into their groups.*
- *Keep children and animals away from the work area, small parts could choke if swallowed.*
- *Make sure you have enough space to layout the parts before starting.*
- *Do not stand or put weight on the product, this could cause damage.*
- *Assemble on a soft level surface to avoid damaging the unit or your floor (use opened out unit carton).*
- *We do not recommend the use of power drill/drivers for inserting screws, as this could damage the unit. Only use hand screwdrivers.*



COMPONENTS — PANELS

Please check you have all the fittings listed below:

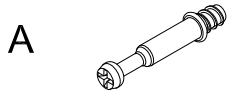


PANEL LIST

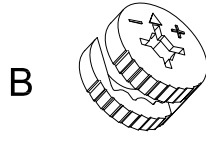
1	Top Panel	x1	8	Side Back Panel	x2
2	Side Panel	x2	9	Middle Back Panel	x1
4	Left Partition Panel	x1	10	Upper Base Frame	x1
5	Right Partition Panel	x1	11	Lower Base Frame	x1
6	Fixed Shelf	x1	3	Adjustable Shelf	x2
7	Bottom Panel	x1	12	Right Door	x1
			13	Left Door	x1

COMPONENTS — FITTINGS

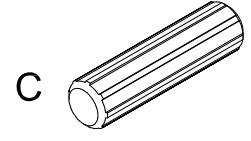
Please check you have all the fittings listed below:



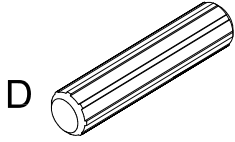
Peg M6*35mm x8



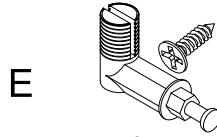
Lock x8



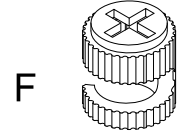
Dowel M6*30mm x20



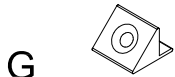
Dowel M8*30mm x4



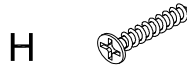
Peg M6*35mm x8



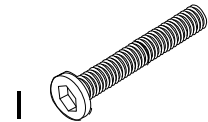
Lock x8



Back buckle x12



Screw M3*14mm x12



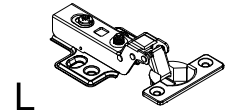
Bolt M6*50mm x4



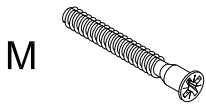
Screw M3.5*12mm x4



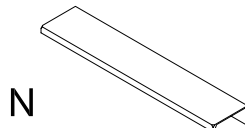
Screw M4*12mm x24



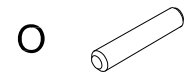
Full Overlay Hinge x4



Screw M5*40mm x4



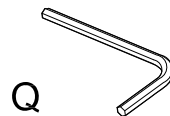
Handle x2



Shelf Holder x8



Felt Mat x4



Allen Wrench x1

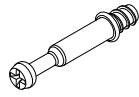

TOOLS NEEDED

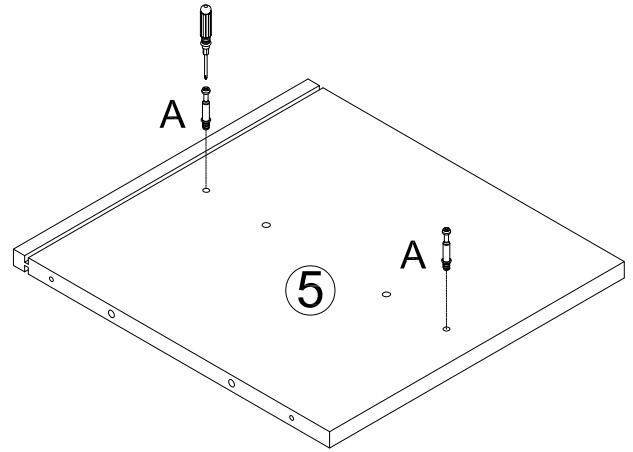
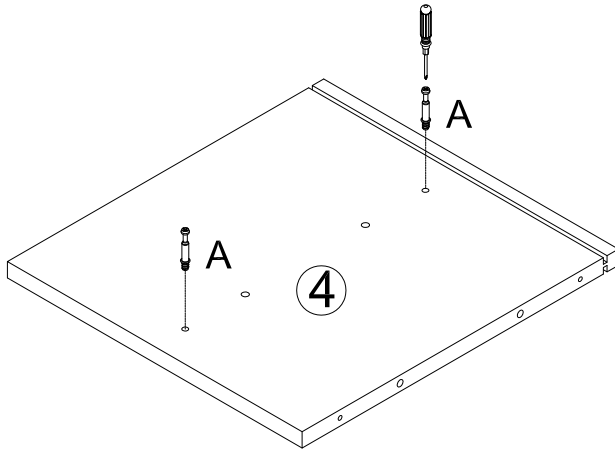


Phillips Screwdriver x1

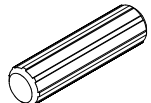


ASSEMBLY INSTRUCTIONS

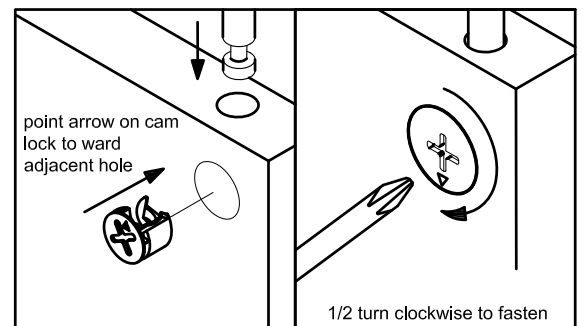
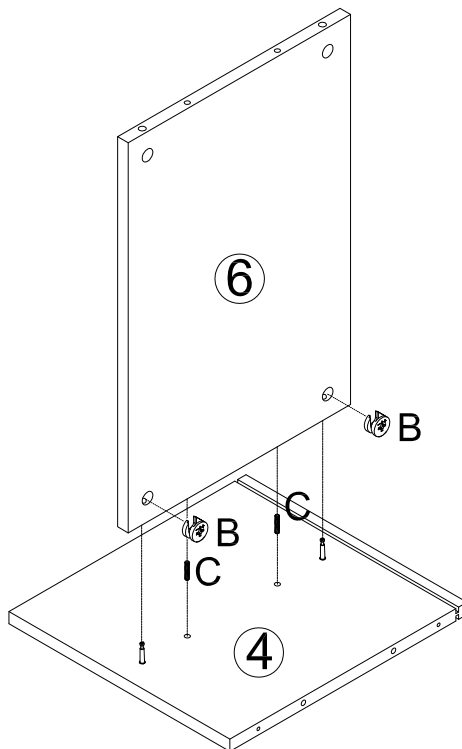
Step 1

A		4	
---	---	---	---



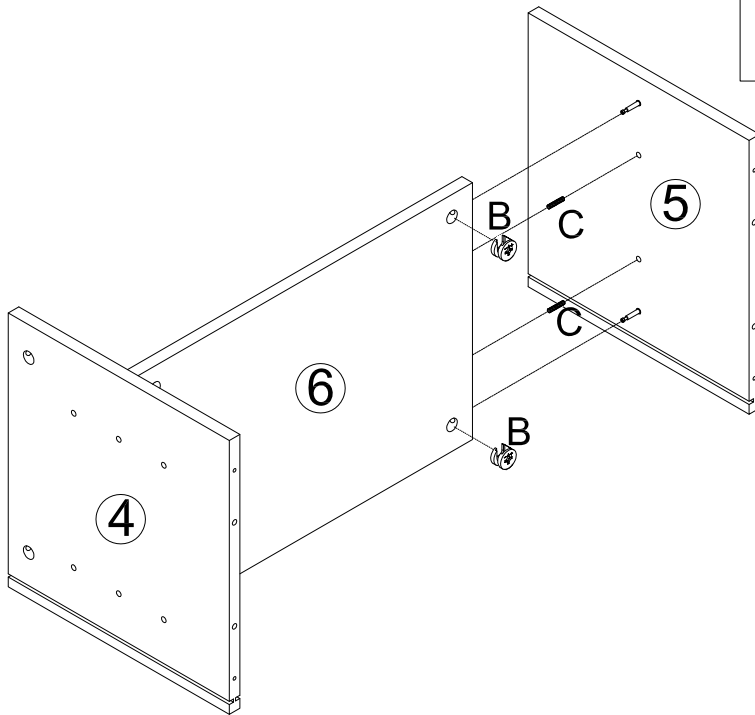
Step 2

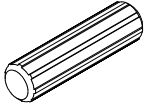


C		2	
B		2	



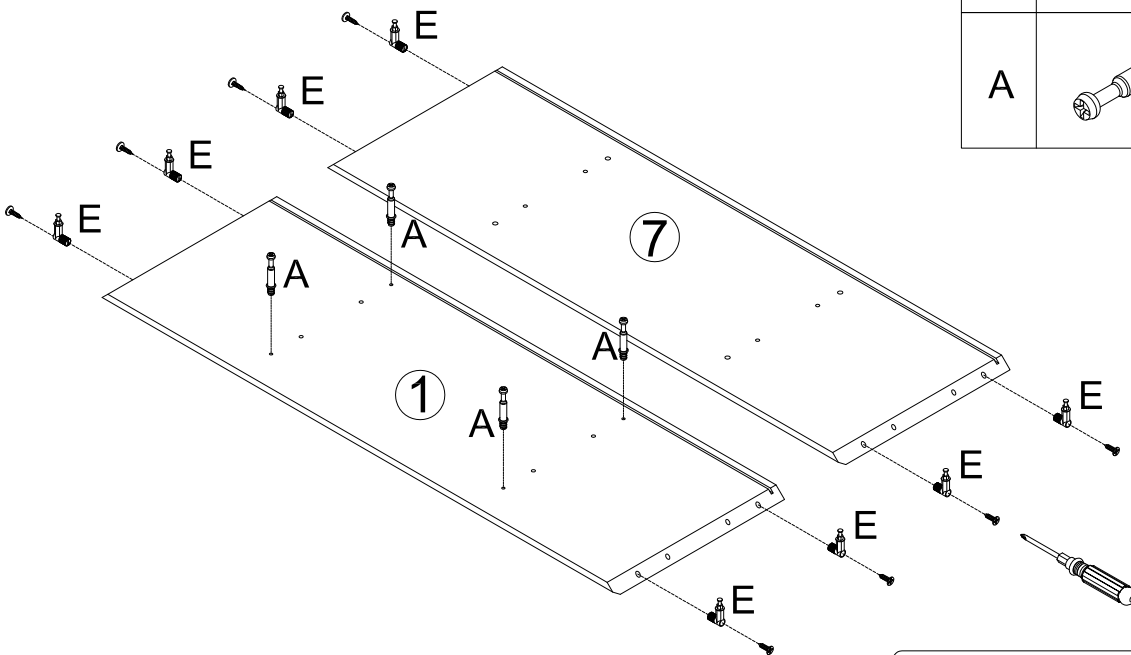
ASSEMBLY INSTRUCTIONS



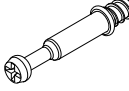

Step 3



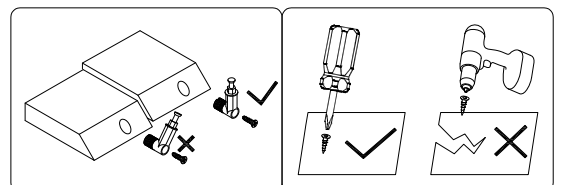
C		2	
B		2	

Step 4



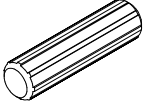


E		8	
A		4	

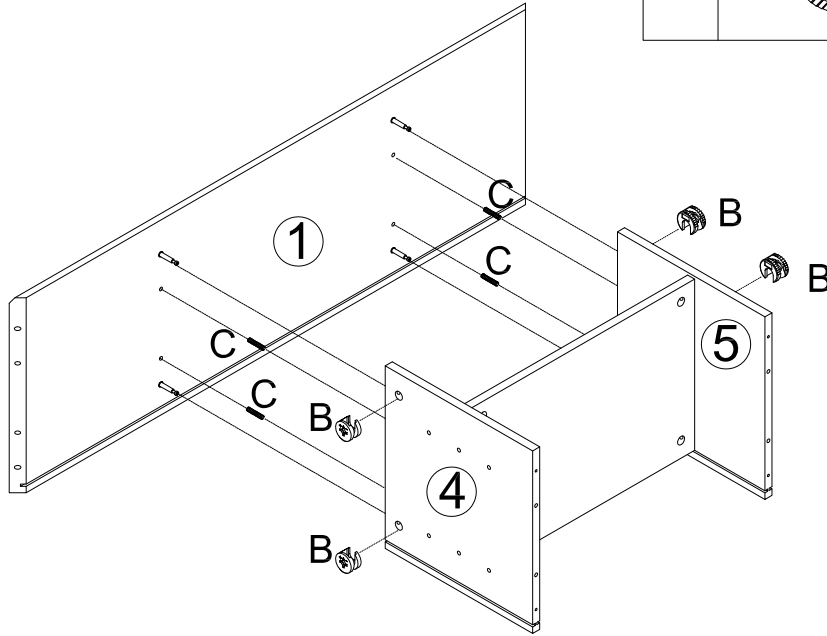
Warning:
Don't use power tools when screwing.
Ensure pegs straight when screwing.



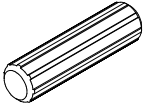


ASSEMBLY INSTRUCTIONS

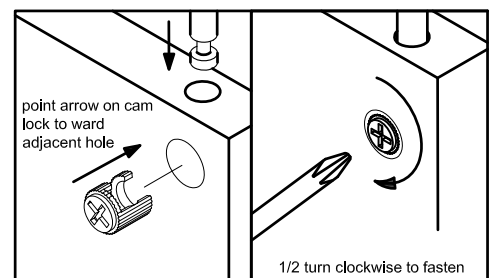
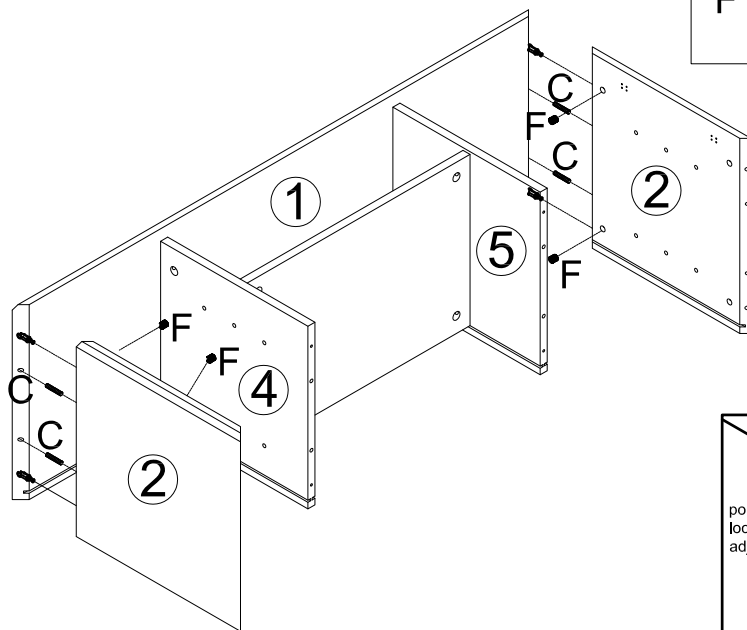
Step 5

C		4	
B		4	



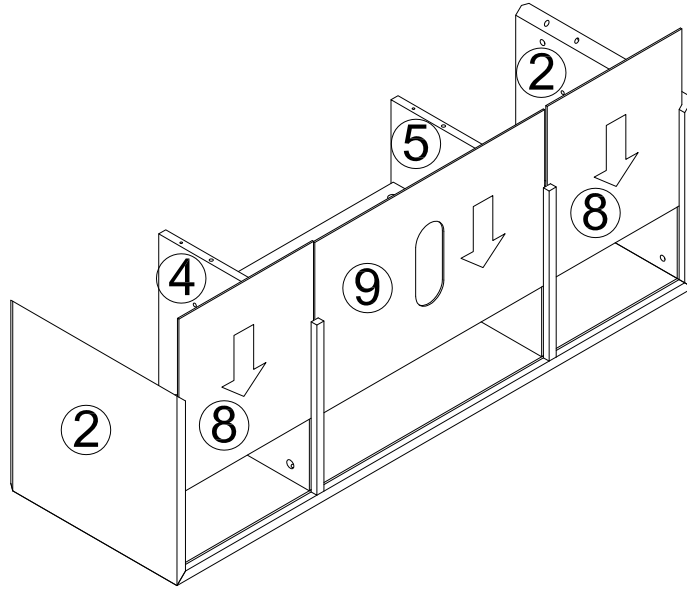
Step 6

C		4	
F		4	

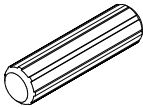






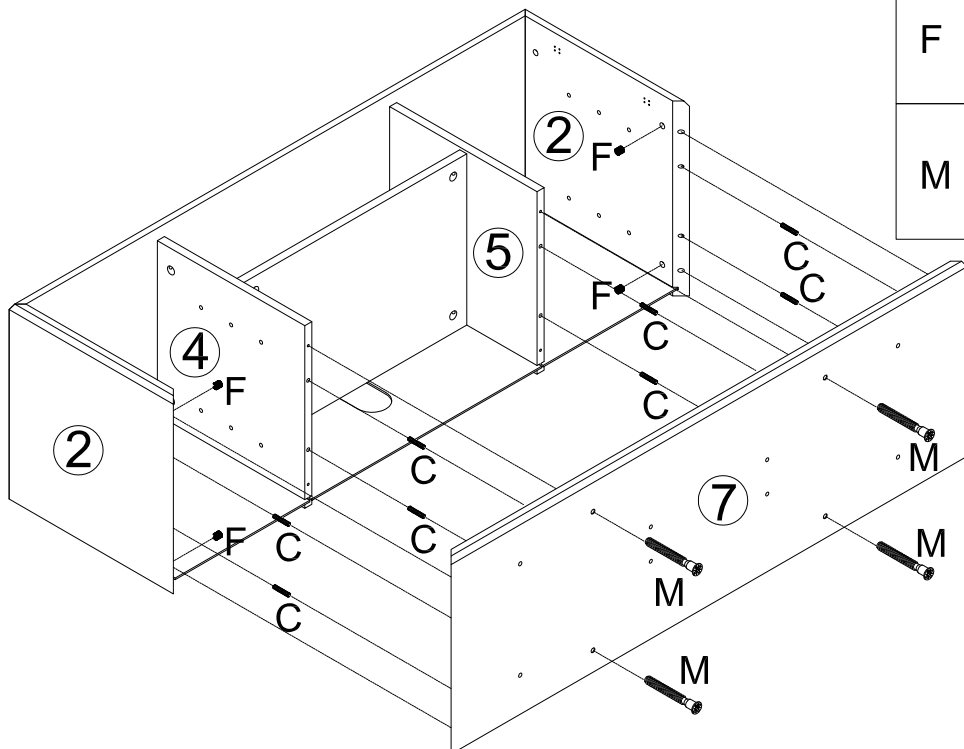
ASSEMBLY INSTRUCTIONS

Step 7



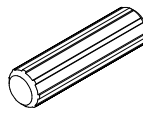
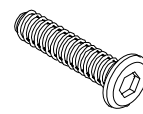

Step 8

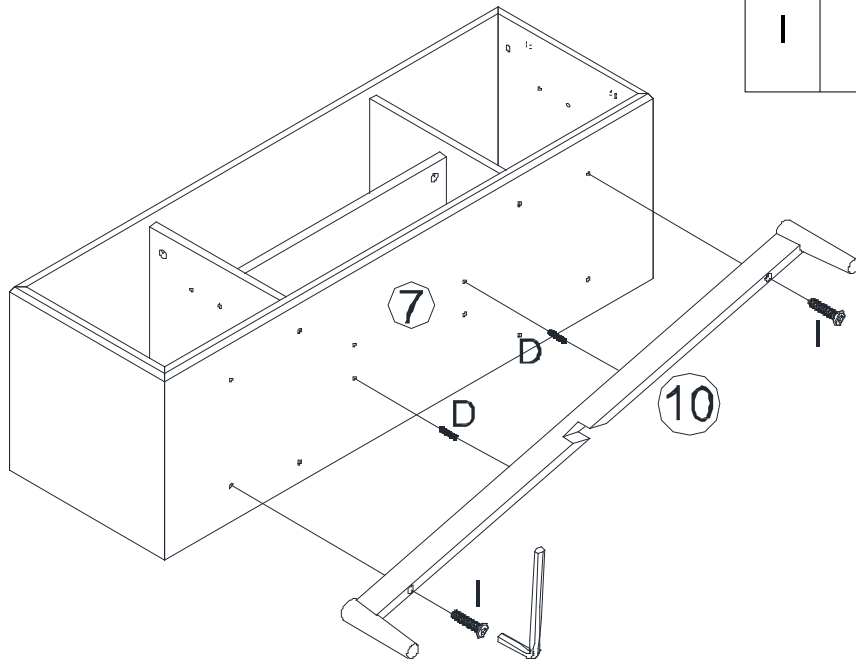
C		8	
F		4	
M		4	



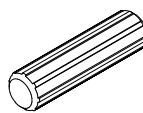
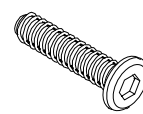
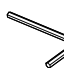

ASSEMBLY INSTRUCTIONS

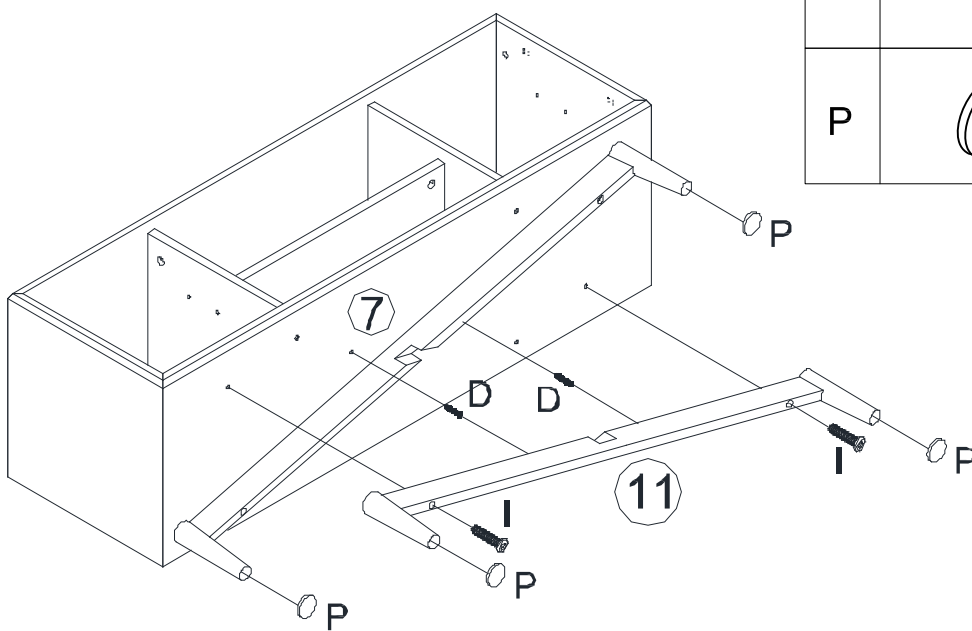
Step 9

D		2	
I		2	



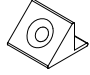
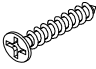

Step 10

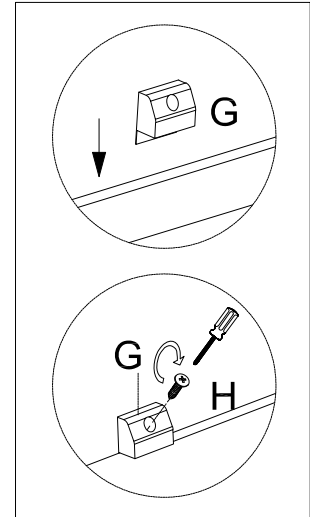
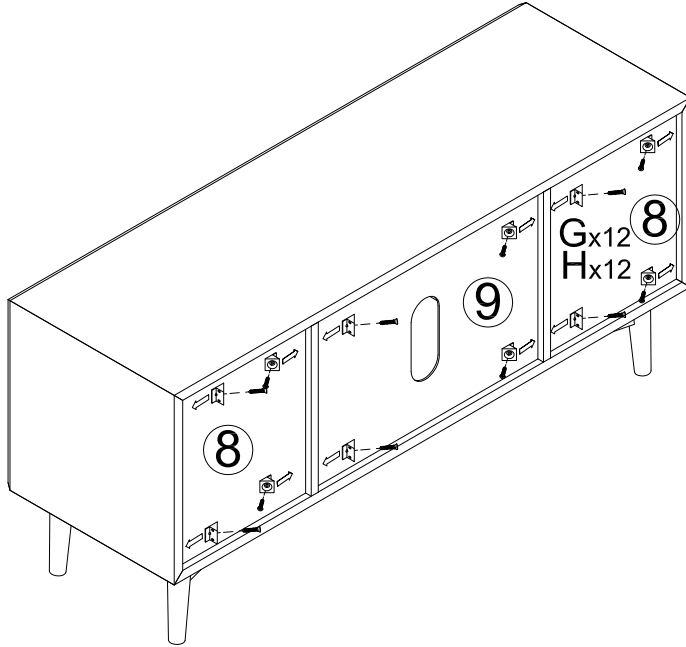
D		2	
I		2	
P		4	



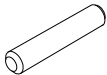
ASSEMBLY INSTRUCTIONS

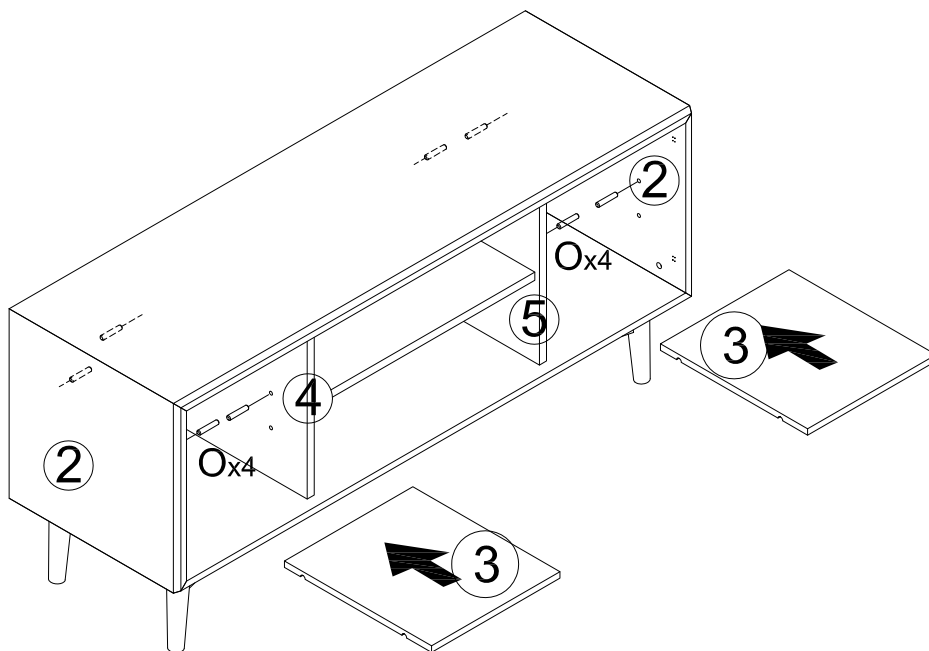
Step 11

G		12	
H		12	



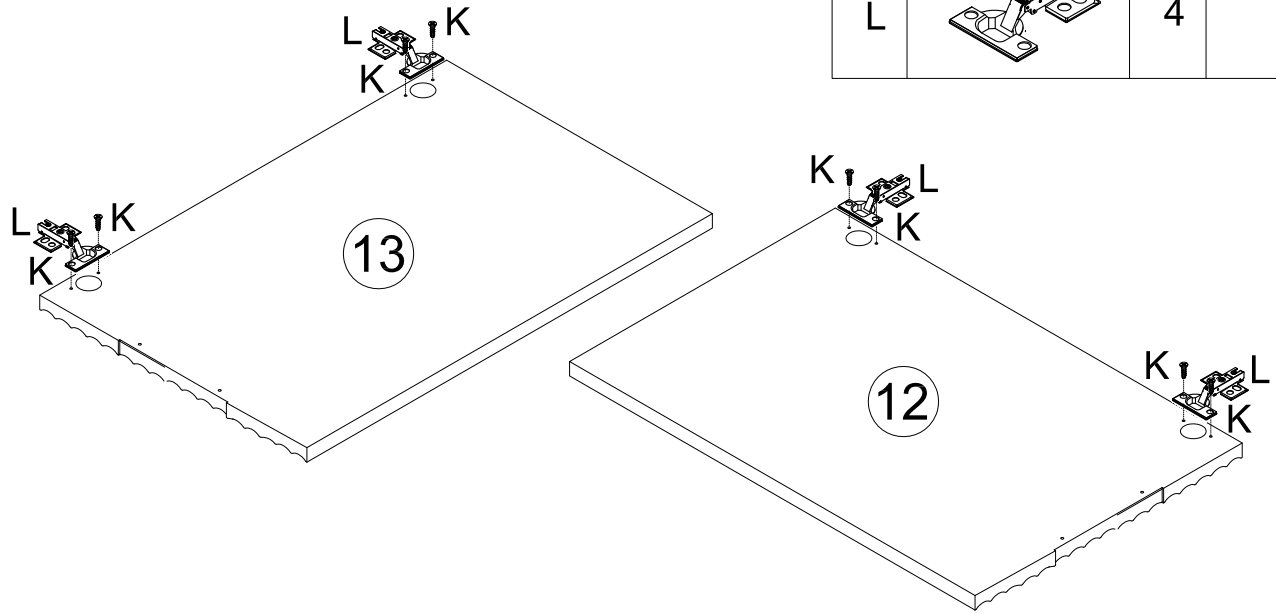
Step 12



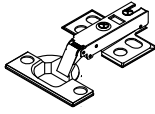
O		8	
---	---	---	--



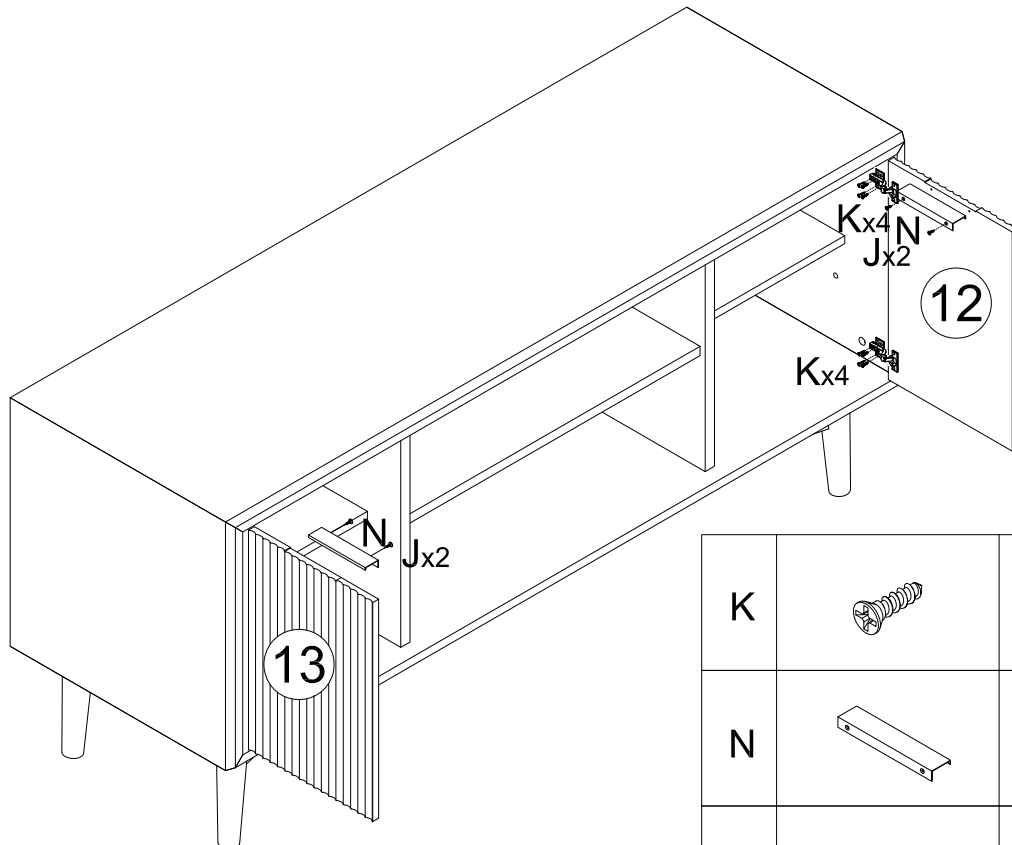
ASSEMBLY INSTRUCTIONS

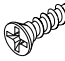

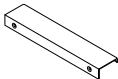


Step 13



K		8	
L		4	

Step 14



K		16	
N		2	
J		4	

ASSEMBLY INSTRUCTIONS

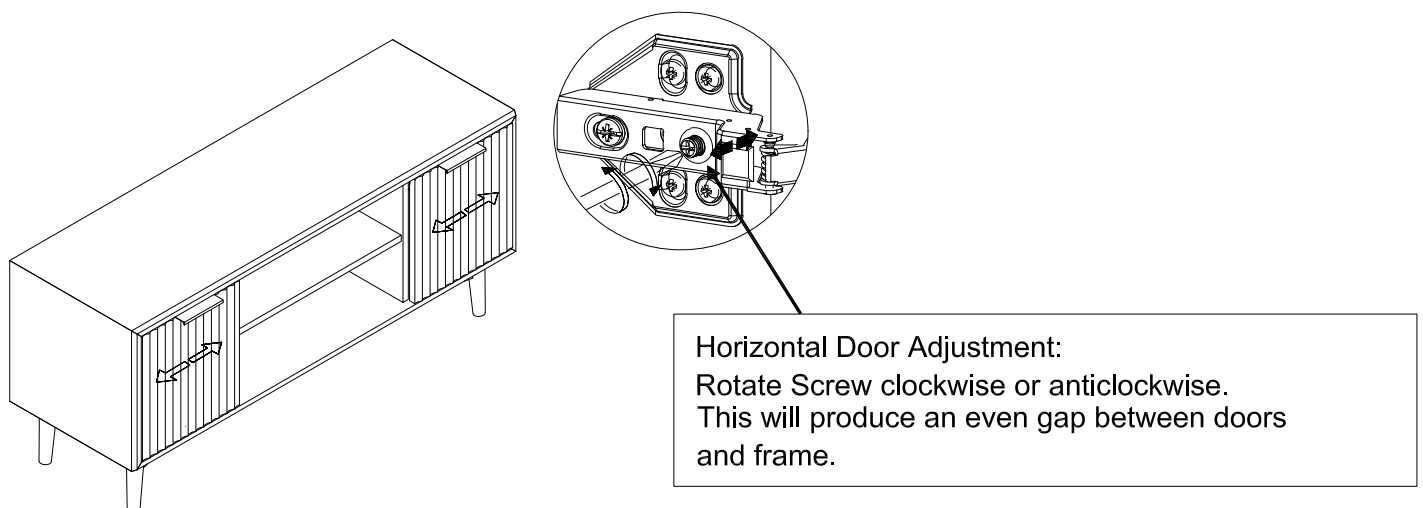
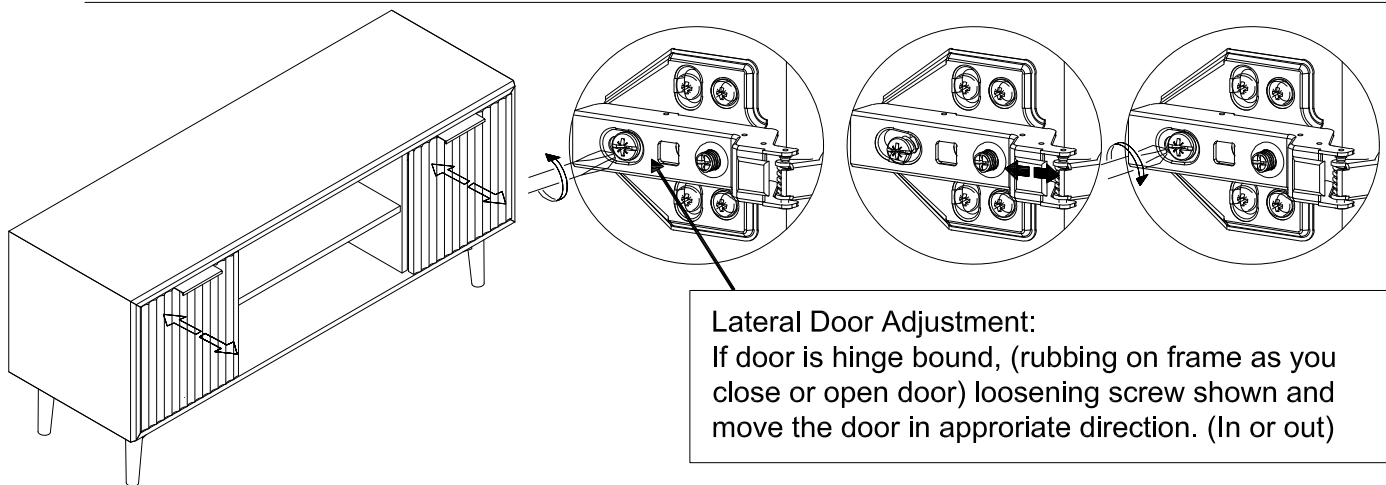
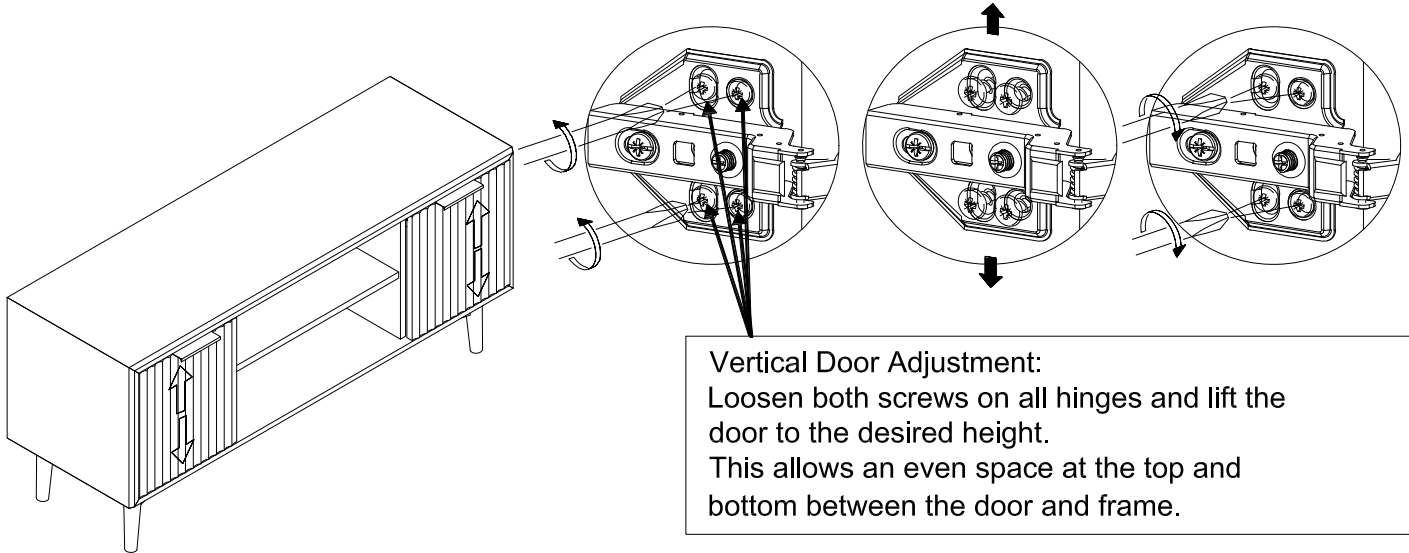
Step 15



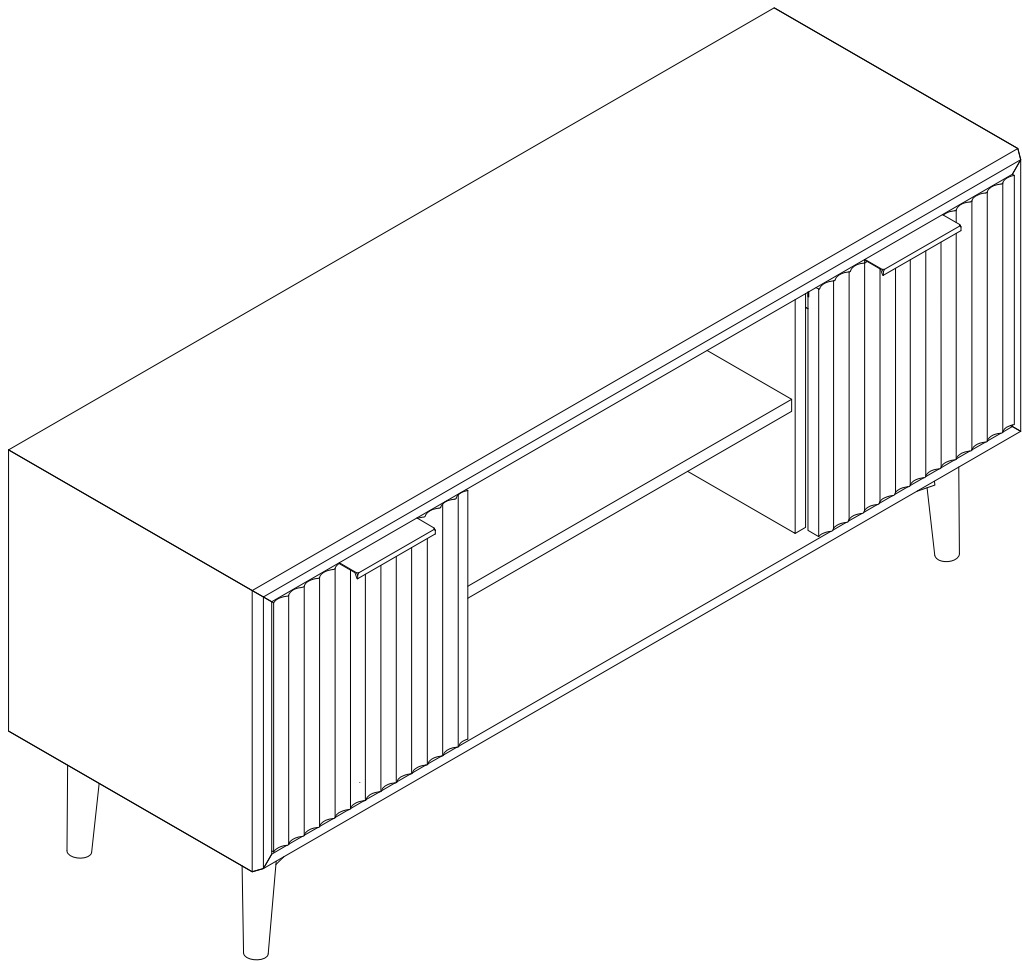
Customer Attention:

To align doors and control gap in between doors. Product doors may need adjusting during and after assembly.

This can be done by adjusting appropriate screws. See below illustration.



ASSEMBLY INSTRUCTIONS



Congratulations.
Now you have finished assembling the product.