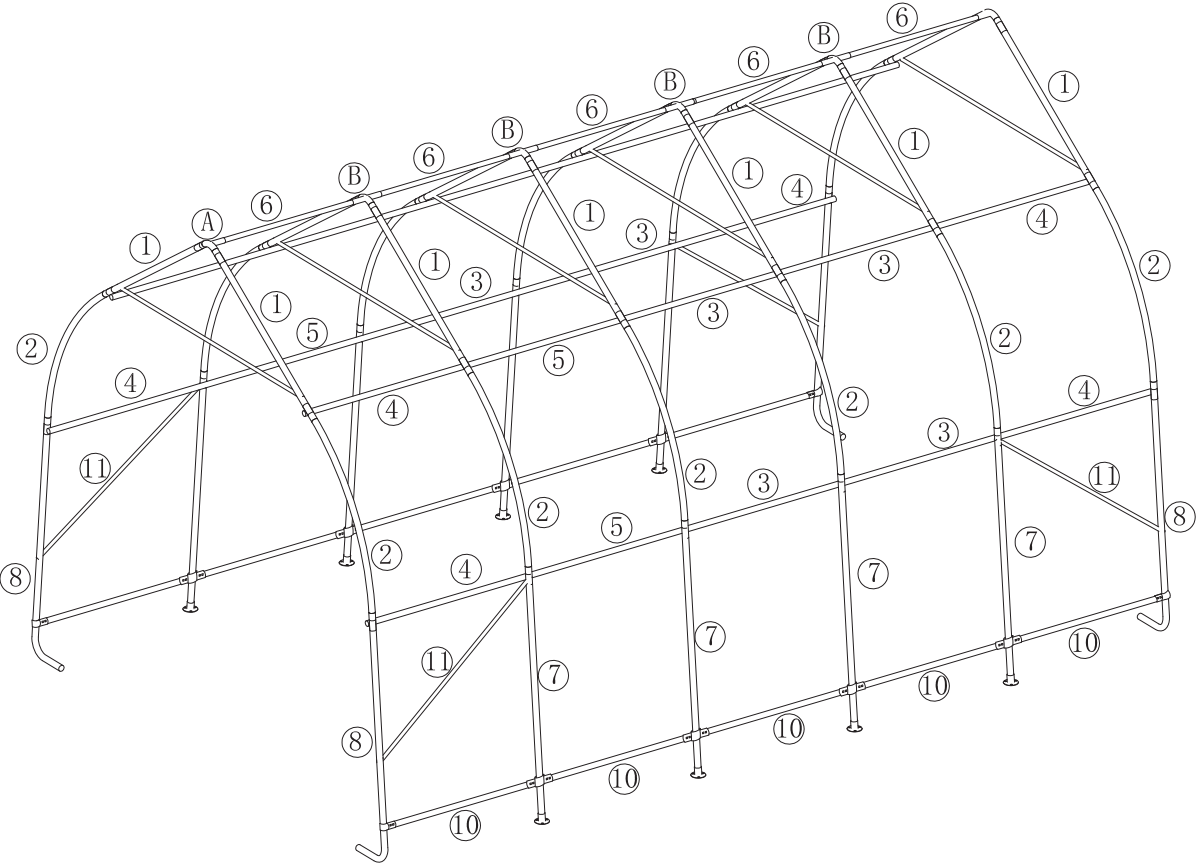
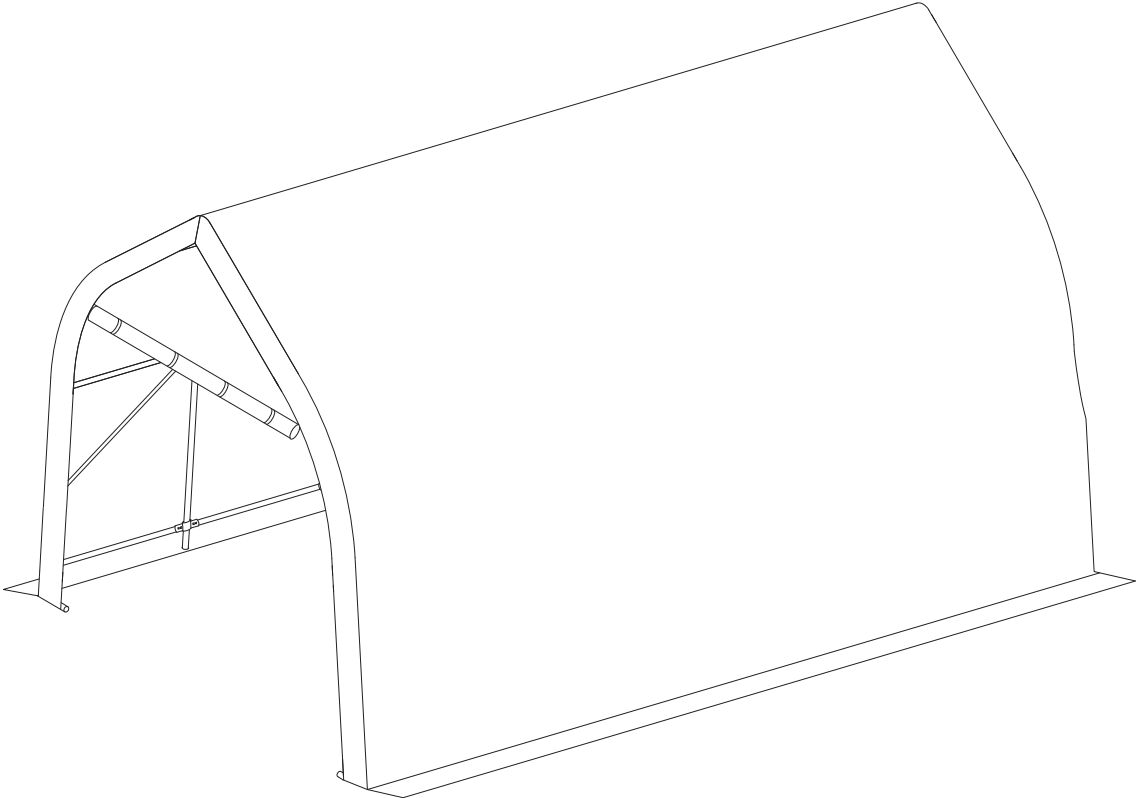
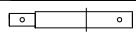
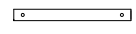

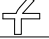


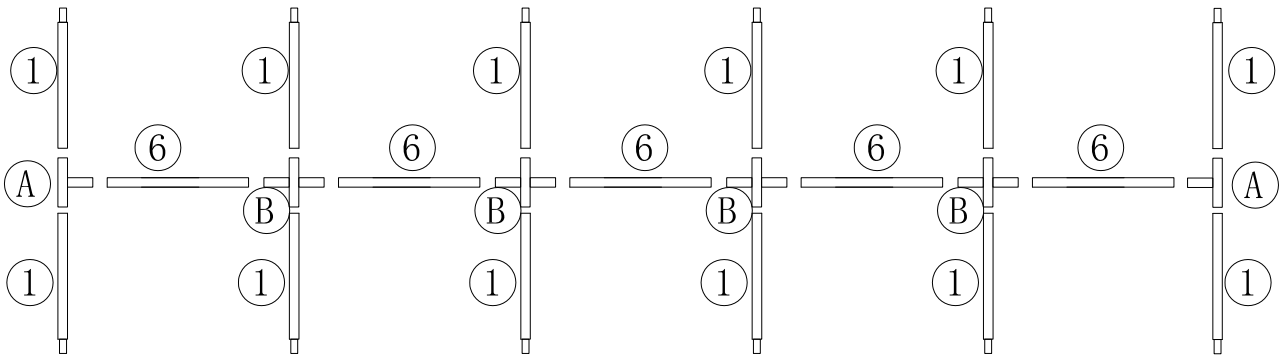
# JDCP1320GR




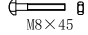
1		12pcs	D		4pcs
2		12pcs	E		40pcs
3		8pcs	F		24+2pcs
4		8pcs	G		36+2pcs
5		4pcs	H		40+2pcs
6		5pcs	I		10+2pcs
7		8pcs	J		8pcs
8		4pcs	K		16pcs
			L		4pcs
10		10pcs	M		24pcs
11		4pcs	N		1pc
12		6pcs	O		1pc
13		1pc	P		1pc
14		1pc	Q		16pcs
A		2pcs			2pcs
B		4pcs			
C		8pcs			

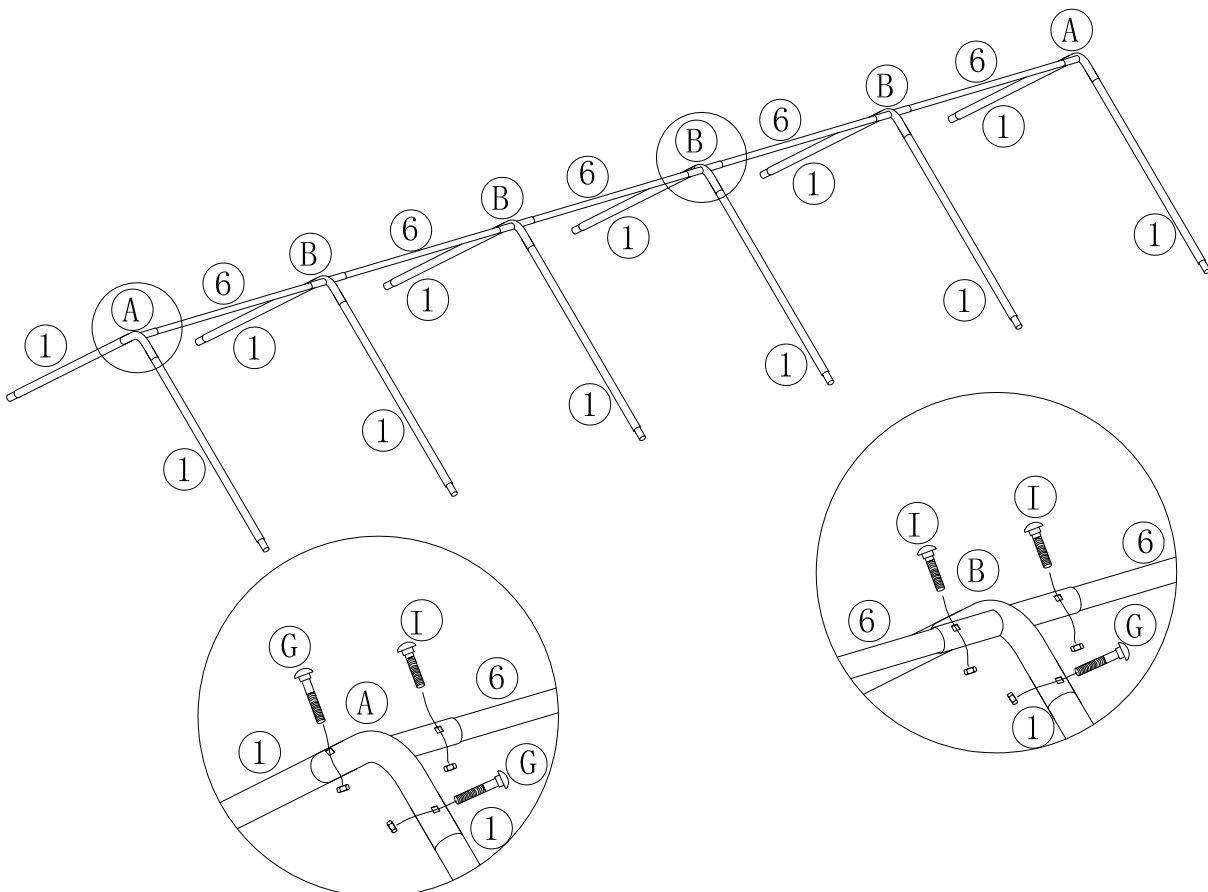
1

1		12pcs
6		5pcs
A		2pcs
B		4pcs


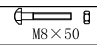


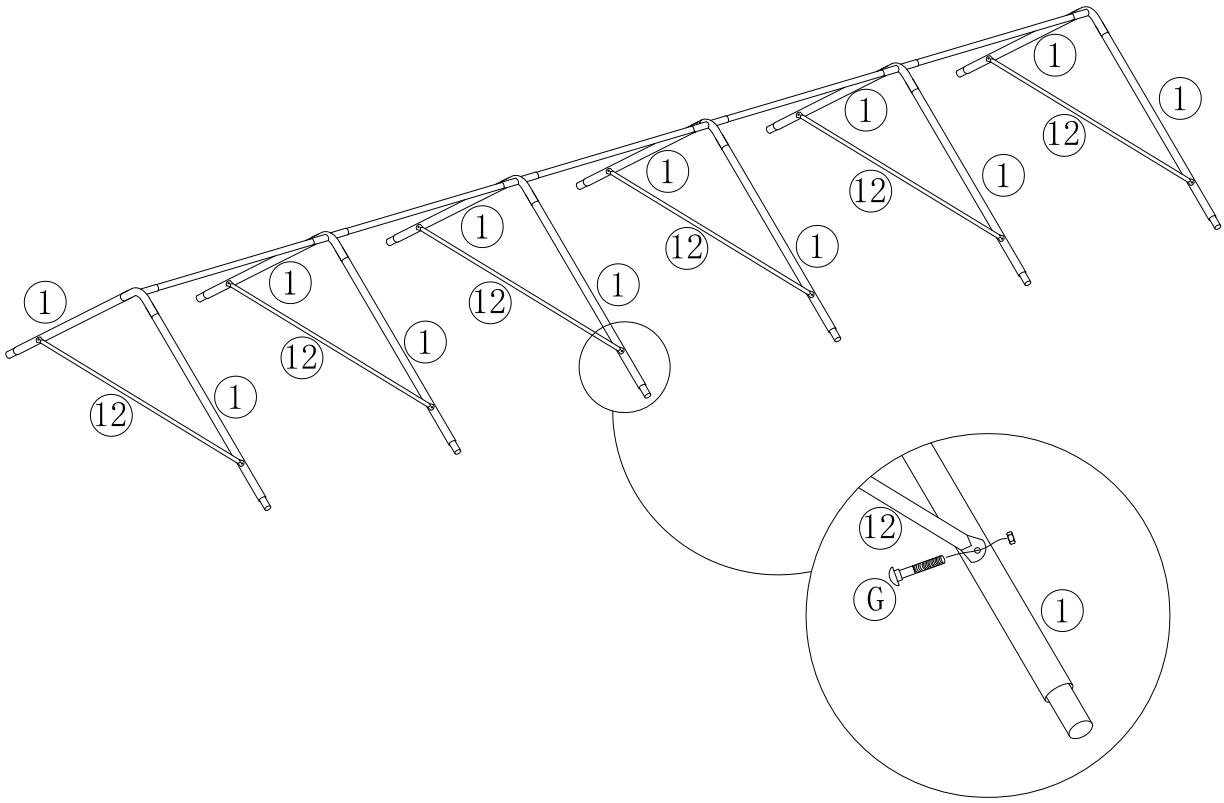
2

G	 M8 × 50	12pcs
I	 M8 × 45	10pcs



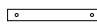
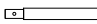
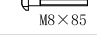


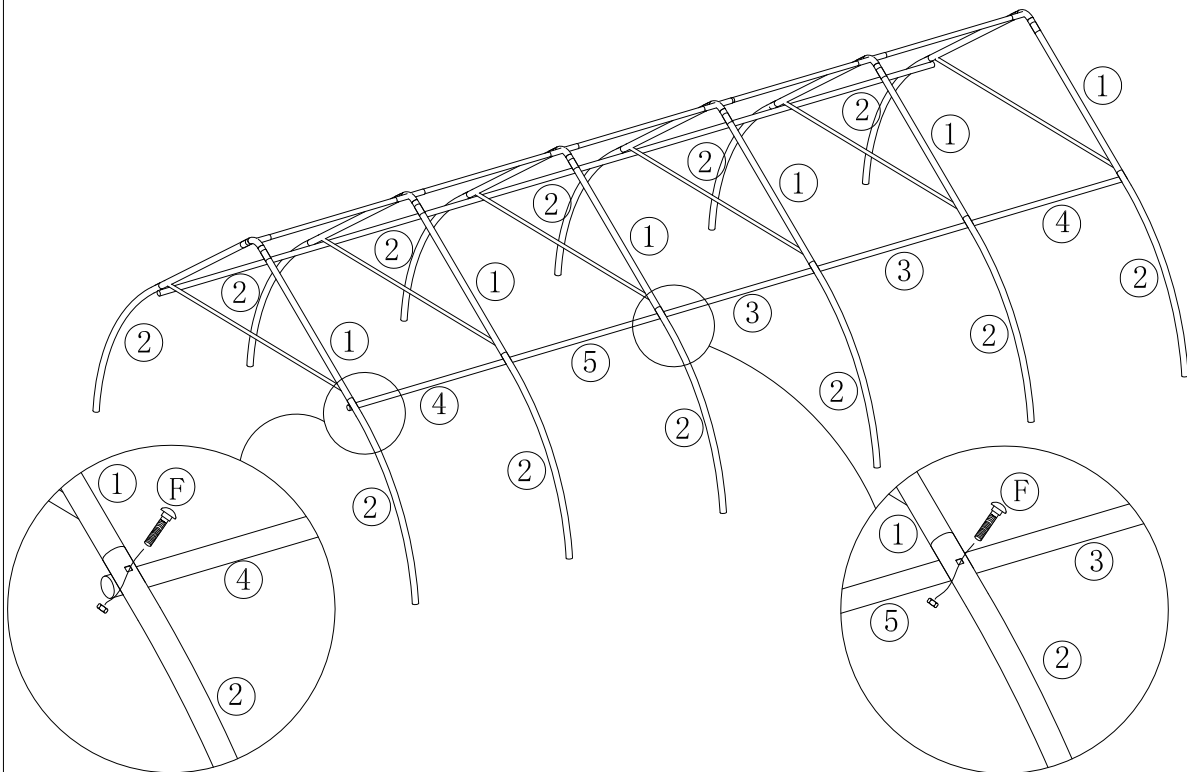
3

12		6pcs
G	 M8×50	12pcs



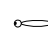


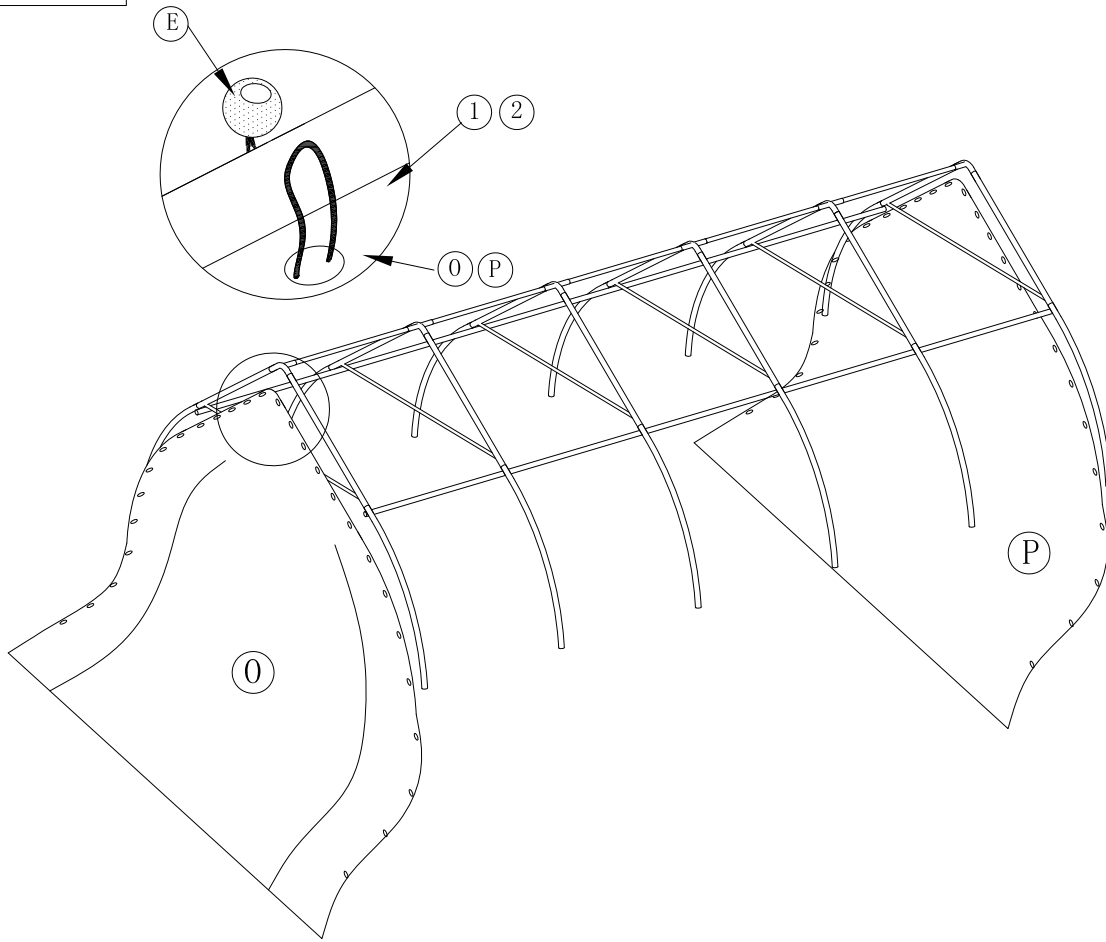
4

2		12pcs
3		4pcs
4		4pcs
5		2pcs
F	 M8×85	12pcs

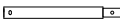
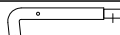
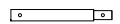
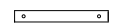


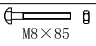
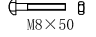


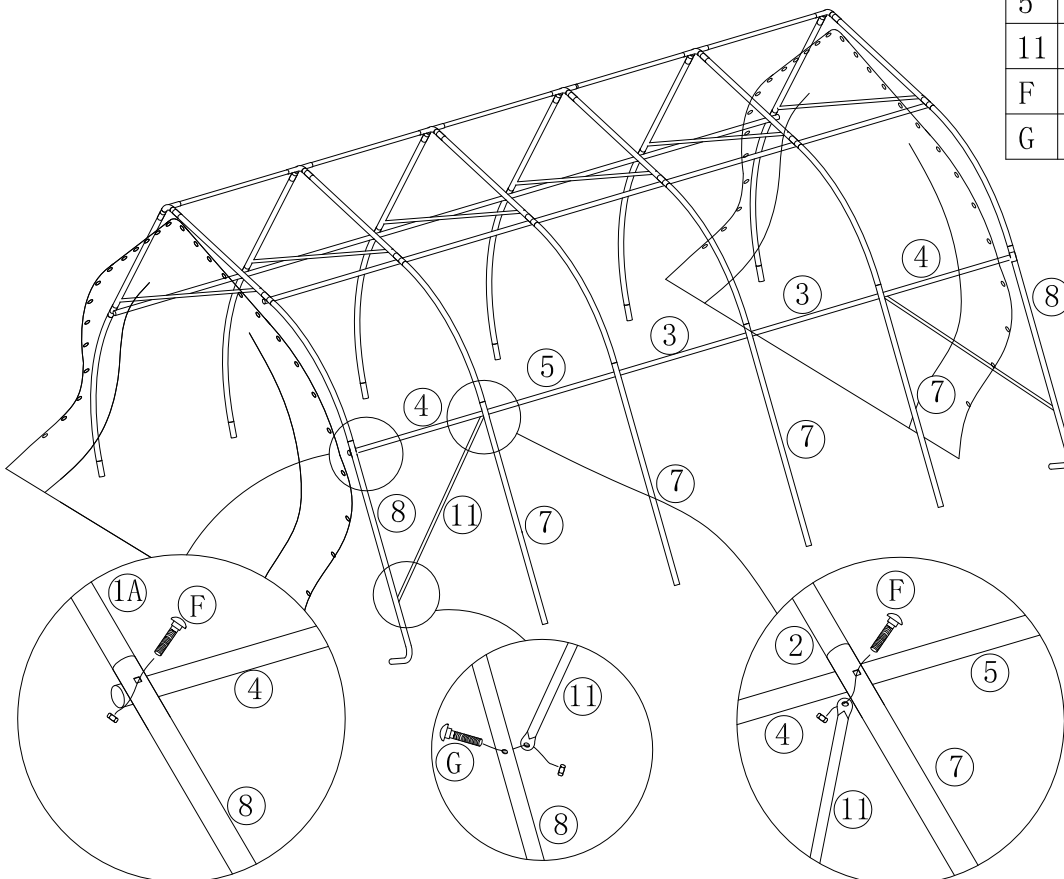
5

0		1pc
P		1pc
E		40pcs



6

7		4pcs
8		2pcs
3		2pcs
4		2pcs
5		1pcs
11		2pcs
F	 M8 x 85	6pcs
G	 M8 x 50	2pcs

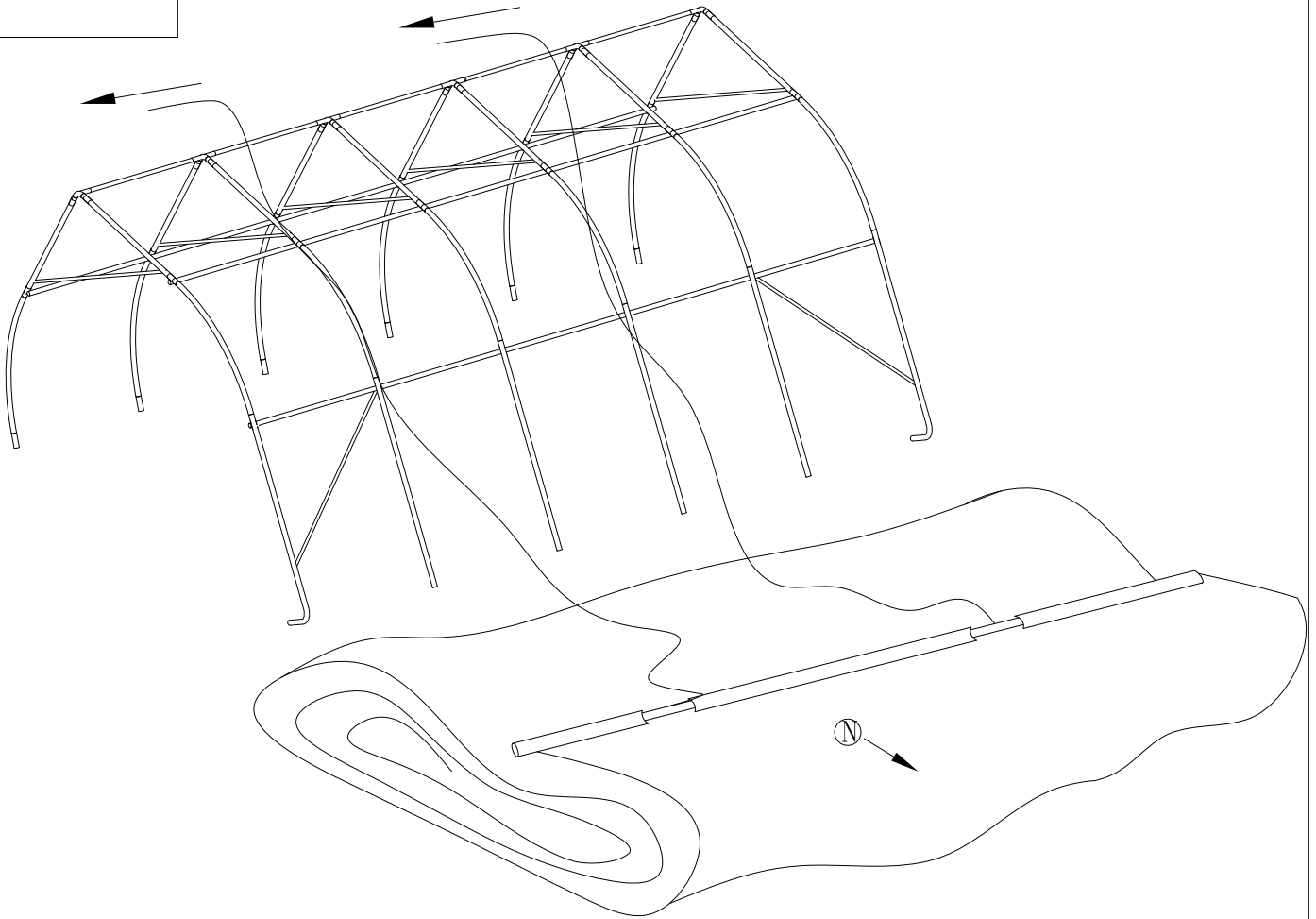


7

N

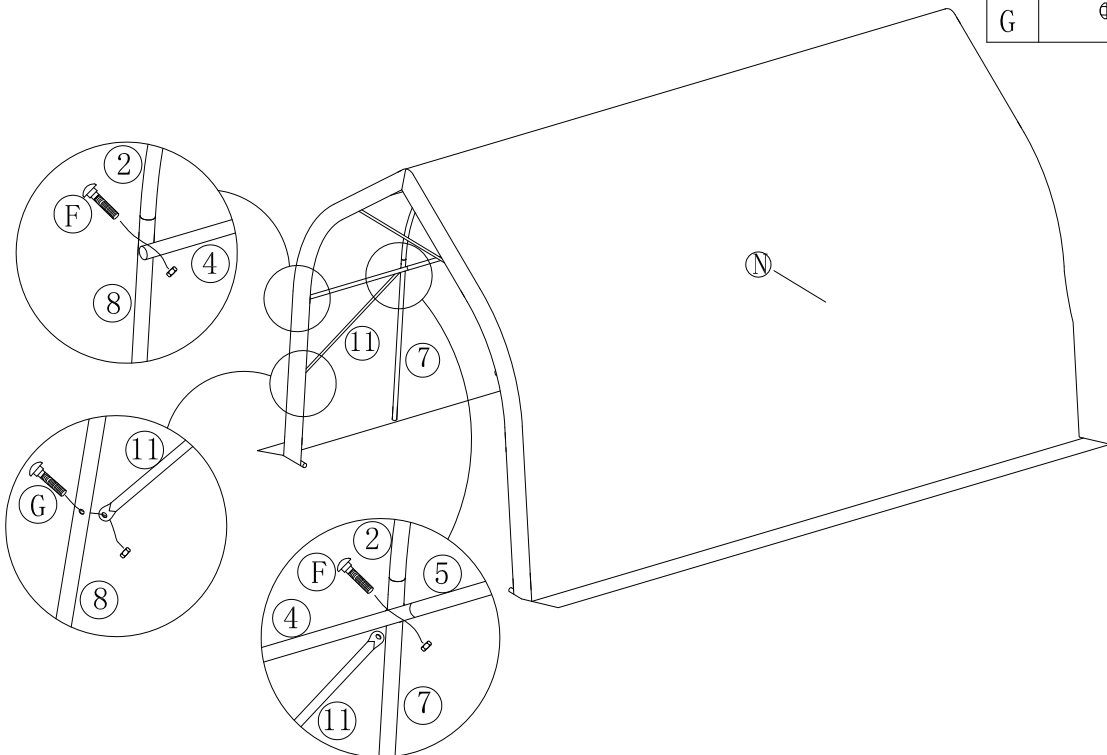


1pc



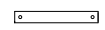
8

7		4pcs
8		2pcs
3		2pcs
4		2pcs
5		1pcs
11		2pcs
F		6pcs
G		2pcs

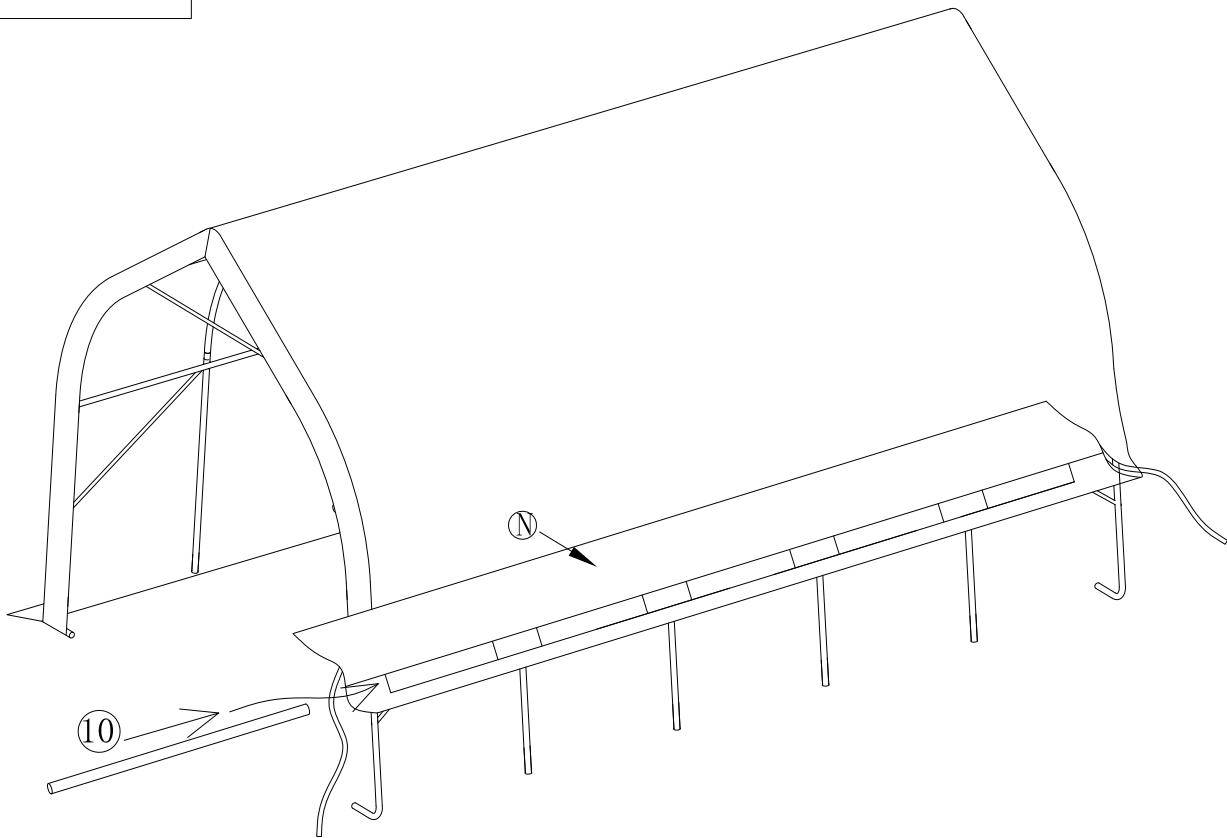


9

10



10pcs



10

L

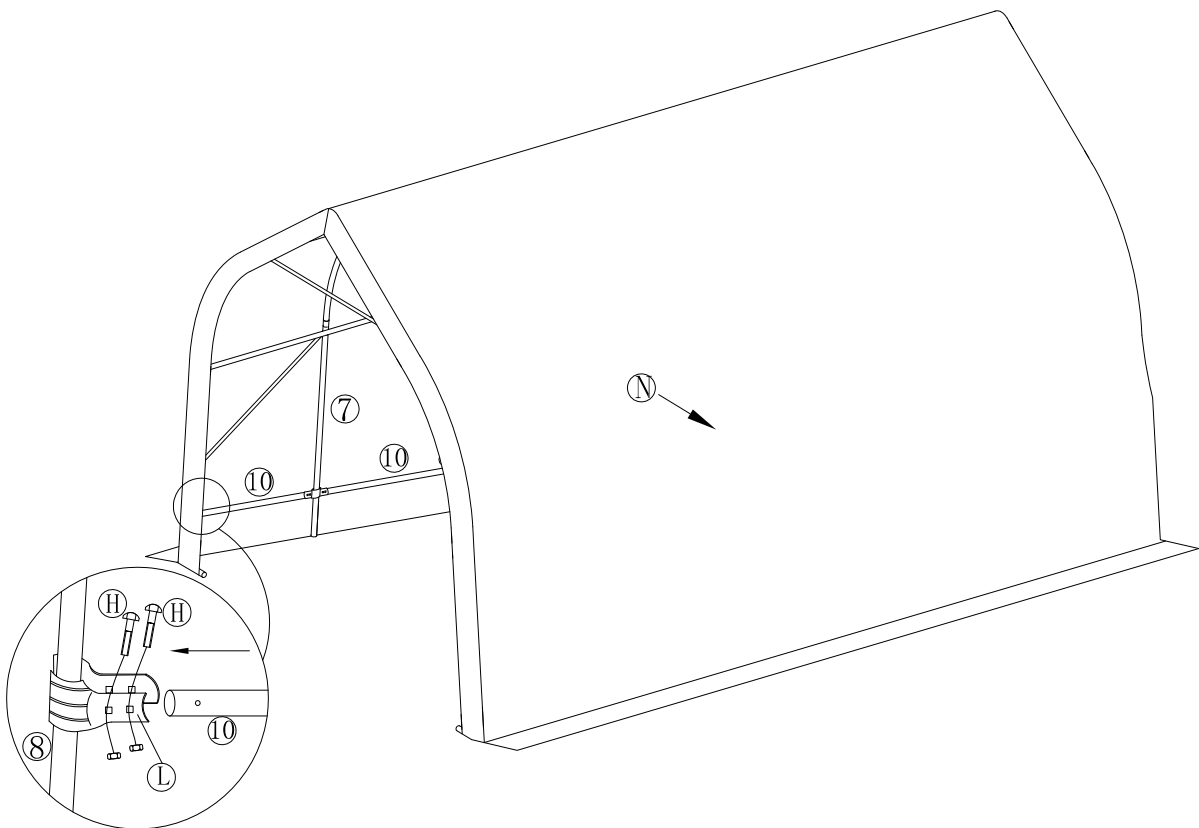


8pcs



H

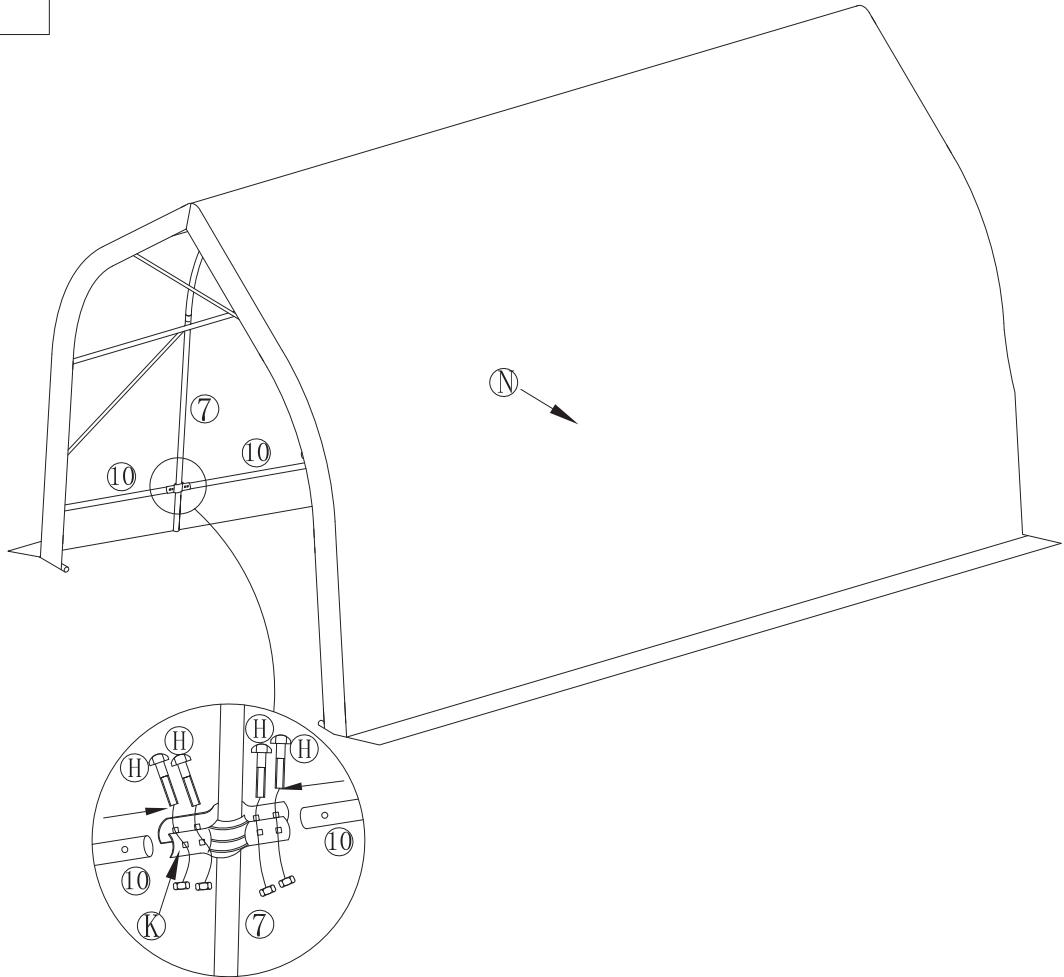


8pcs



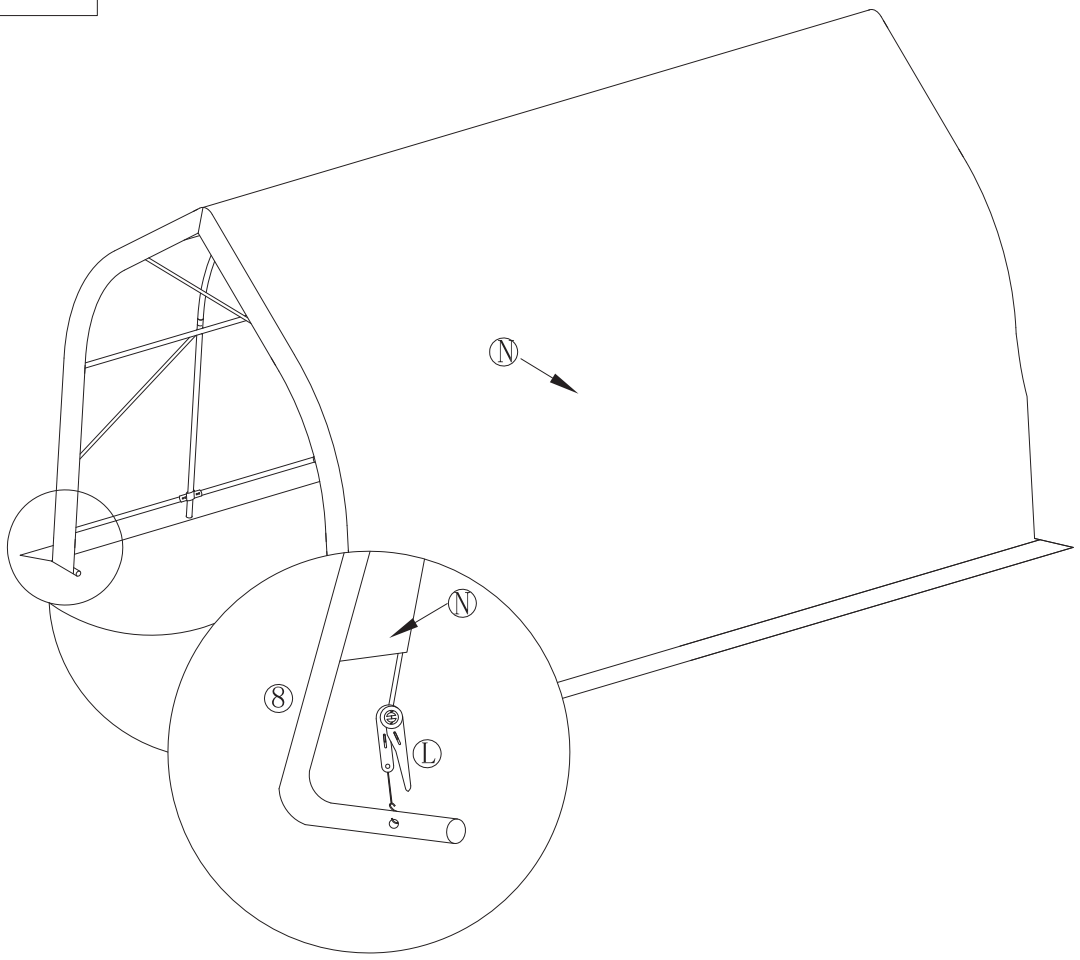
11

K		16pcs
H	 M6 x 45	32pcs



12

L		4pcs
---	---	------



## Securing Ratchet Tie-Downs

**Note:** Use these instructions in the pages that follow.

1. Thread the strap through the Ratchet's (8) spindle as far as it will go.

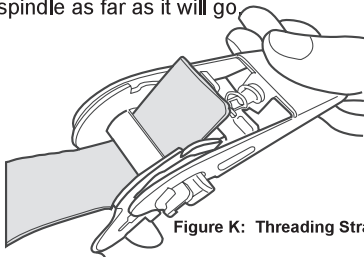


Figure K: Threading Strap through Spindle

2. Insert the S-hook of the Ratchet into the hole in the Corner Leg (6).

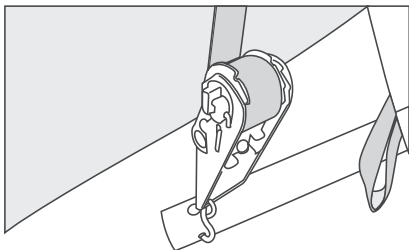


Figure L: Inserting Hook into Corner Leg

3. Lift and lower the Ratchet's handle to wind and tighten the strap onto the spindle.

## Releasing Ratchet Tie-Downs

1. Depress the spring-loaded bar on the handle.
2. Open Ratchet handle completely.
3. Unwind the strap.

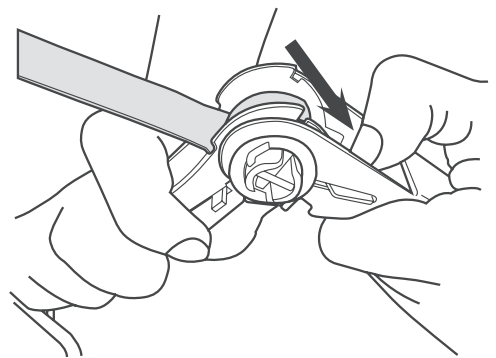


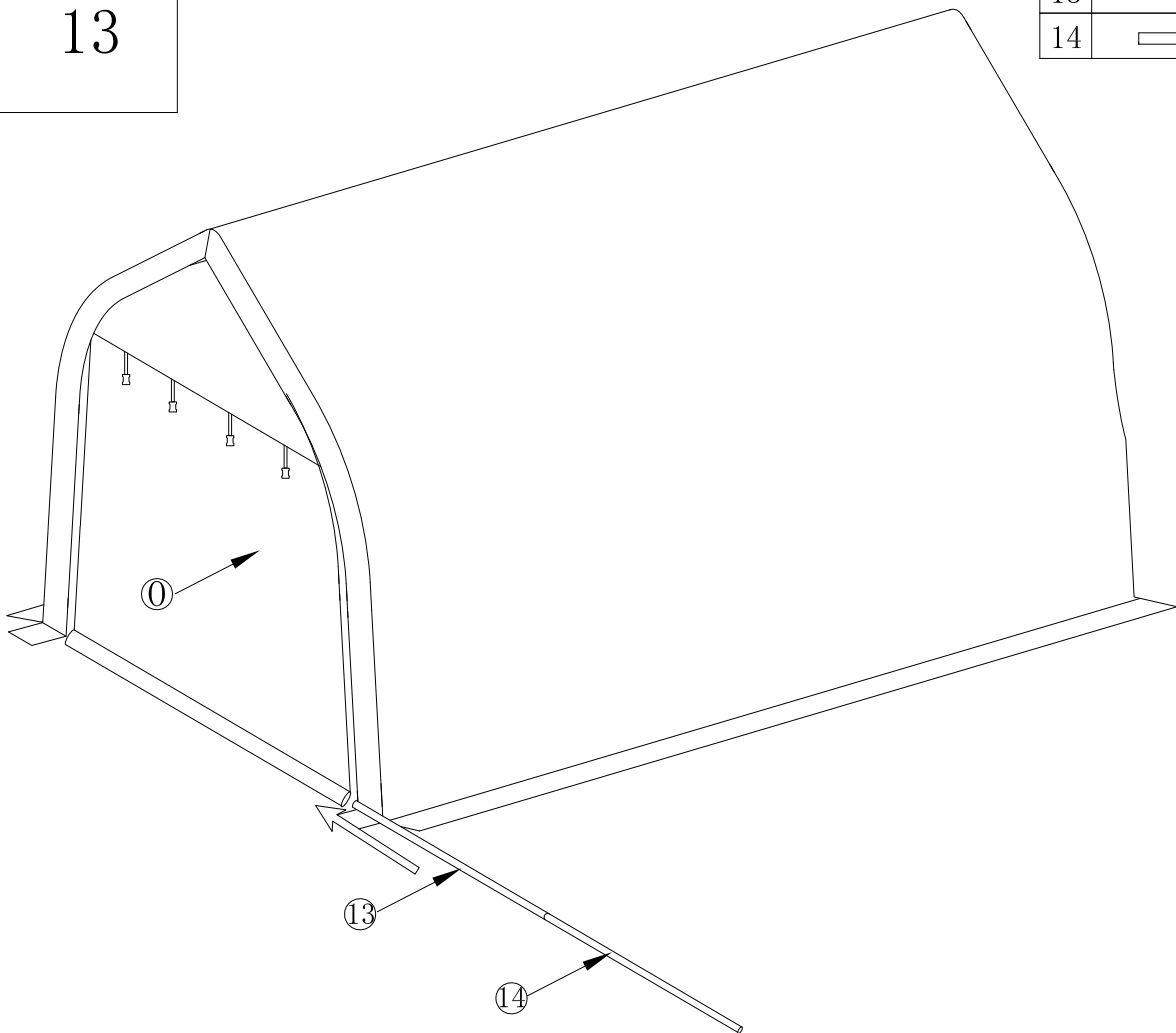


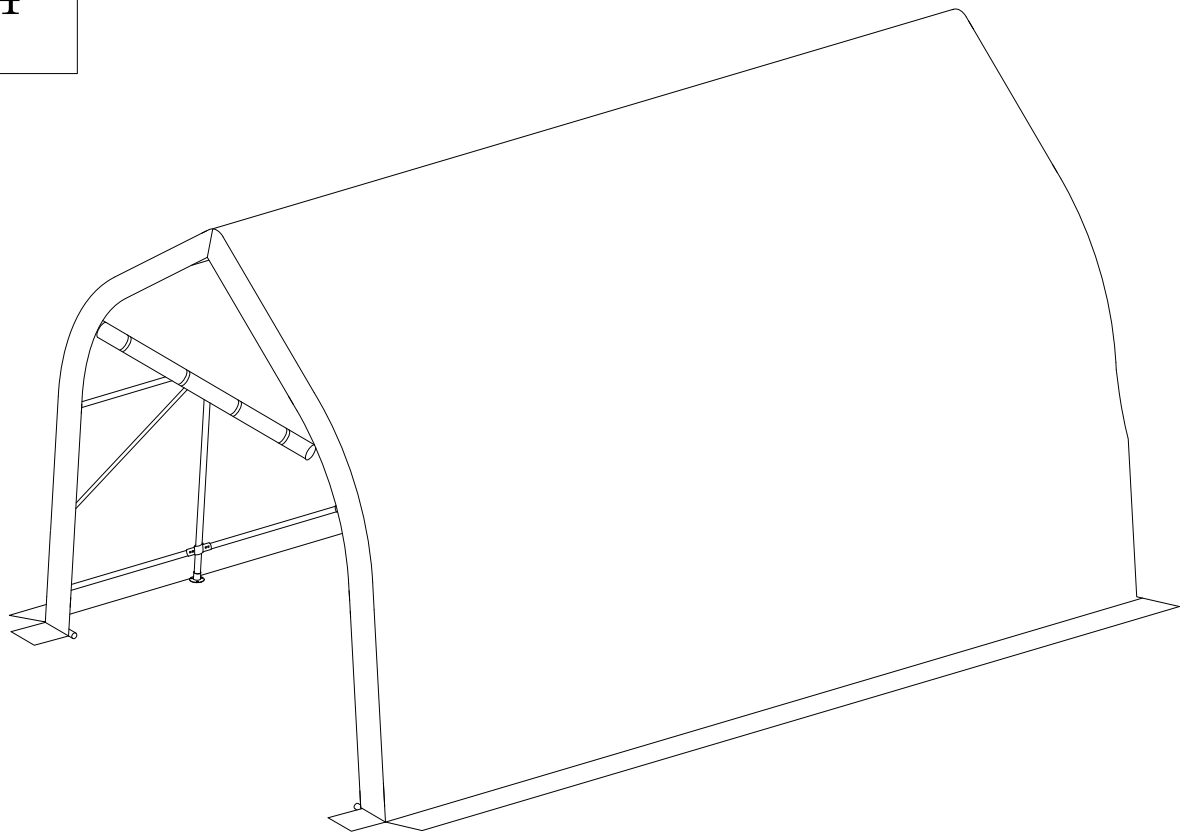
Figure N: Releasing Ratchet

13



13		1pc
14		1pc

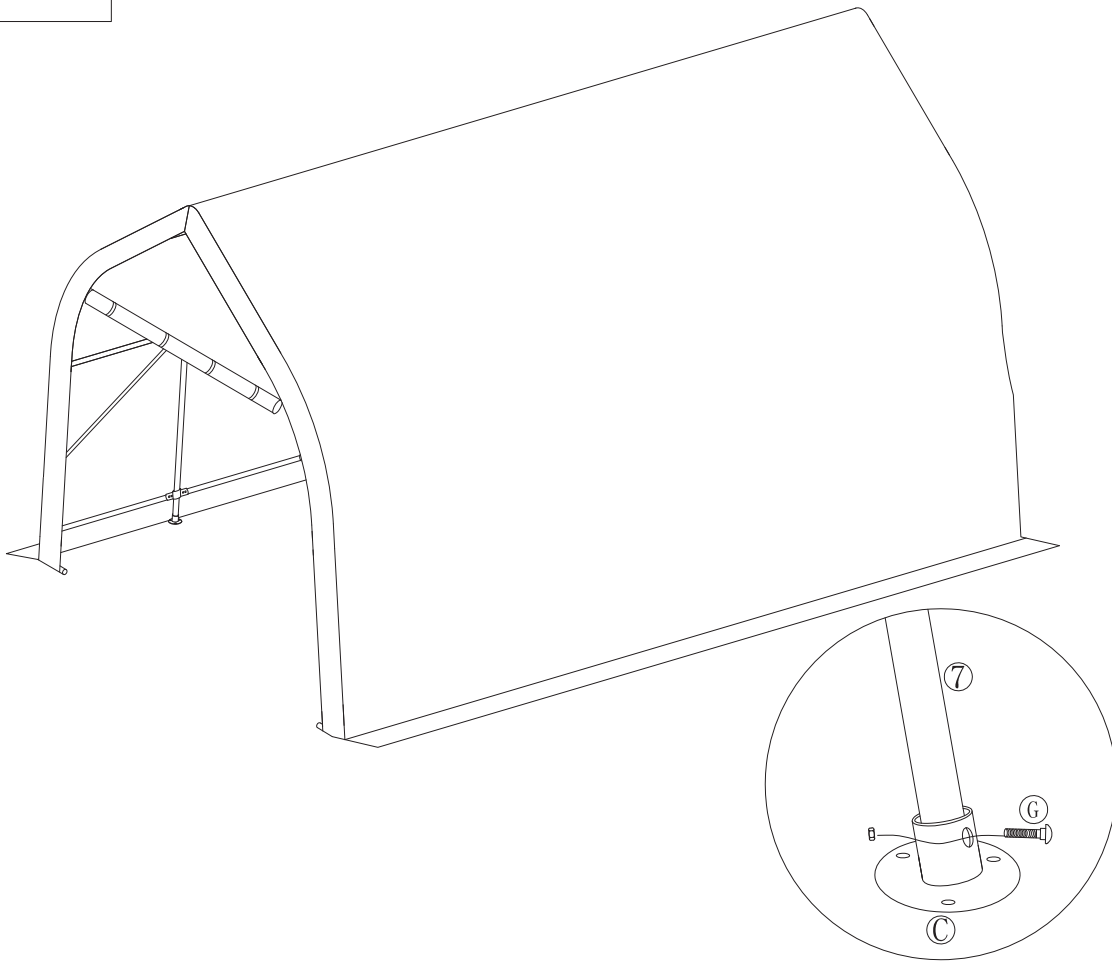


14


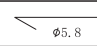


15

C		8pcs
G	 MS×50	8pcs



16

D		4pcs
M	 φ5.8	24pcs

