






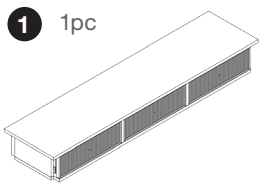
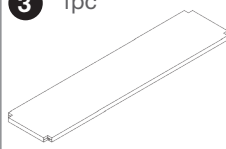
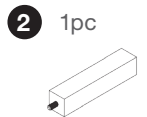
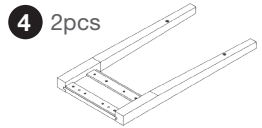
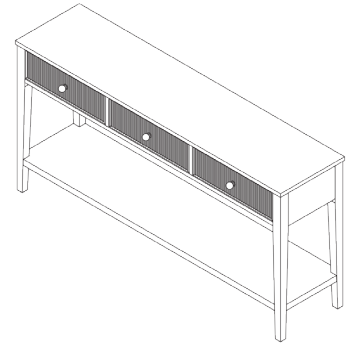


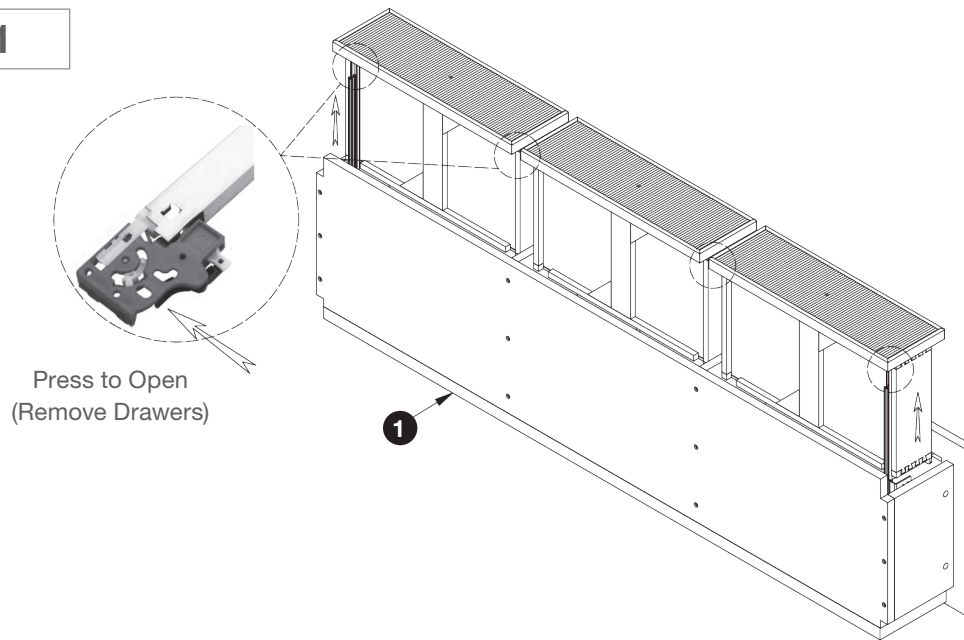
ASSEMBLY INSTRUCTIONS | HIGHLAND CONSOLE TABLE

HARDWARE CHECKLIST		
A		Handle w/ screws M4x35 (3pcs)
B		Bolts M6x30 (4pcs)
C		Bolts M6x55 (4pcs)
D		Flat Washer (4pcs)
E		Spring Washer (8pcs)
F		Half Moon Washer (4pcs)
G		Allen Key (1pc)

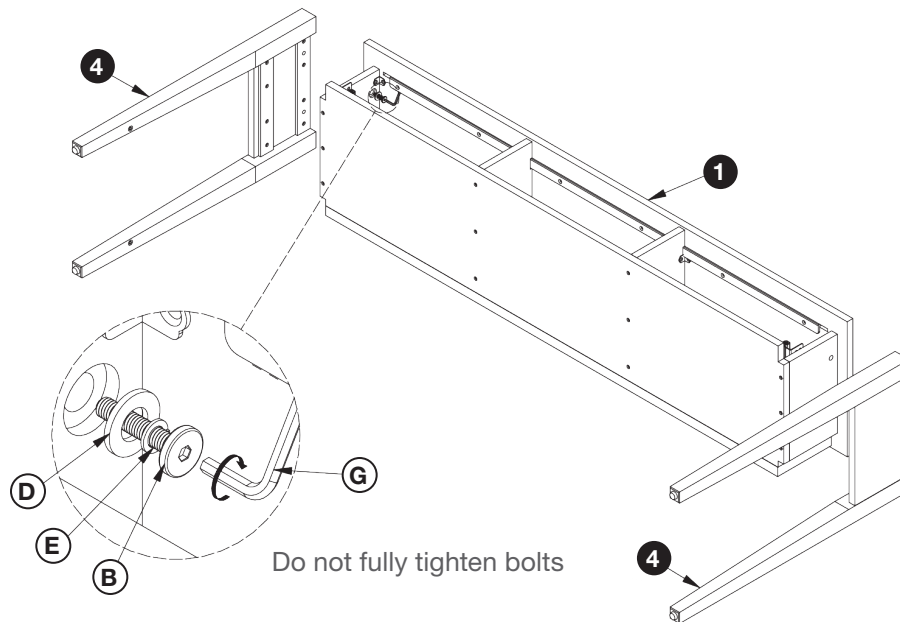
PARTS CHECKLIST	
1 1pc	
3 1pc	
2 1pc	
4 2pcs	



Step 1

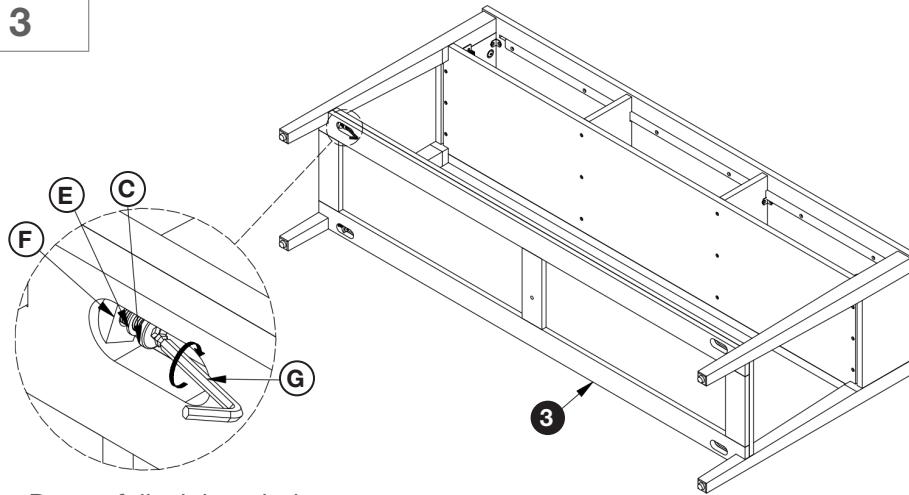


Step 2



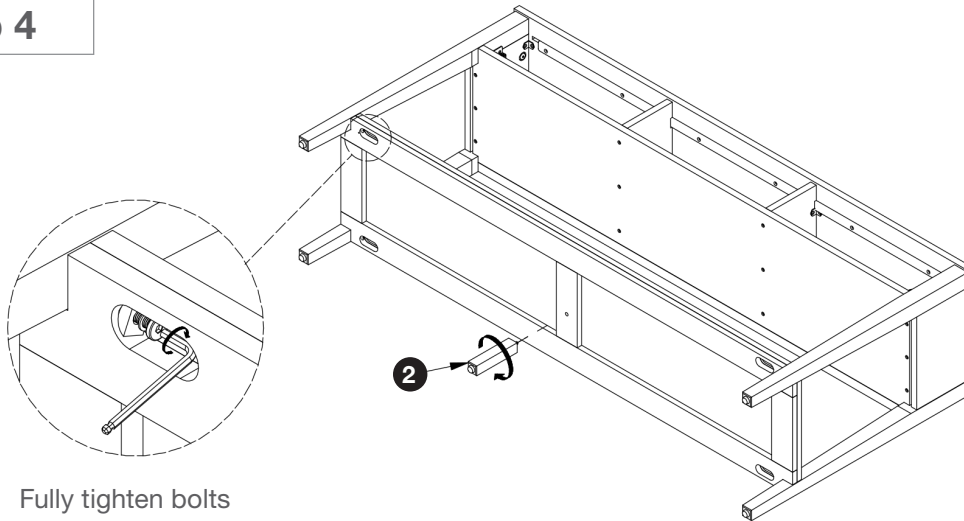
ASSEMBLY INSTRUCTIONS | HIGHLAND CONSOLE TABLE

Step 3



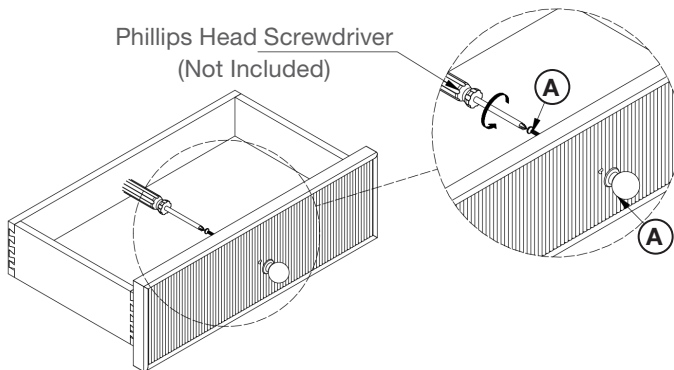
Do not fully tighten bolts

Step 4



Fully tighten bolts

Step 5



Finish

