

Assembly Instructions

CAUTION : You must read these Assembly Instructions before you proceed.



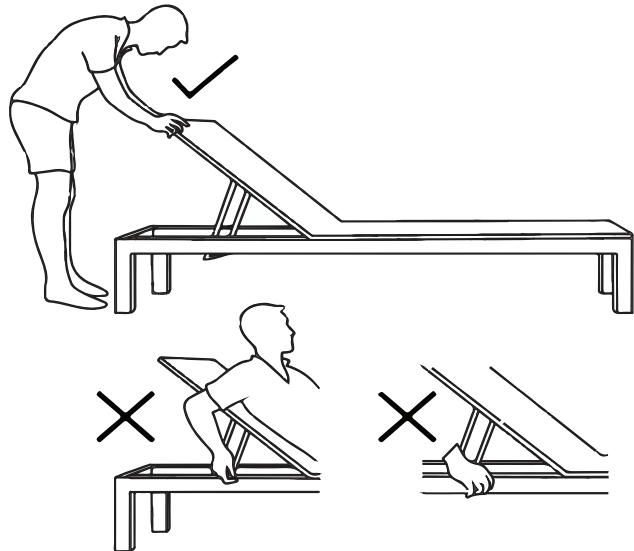
SAFETY WARNING

Never adjust chaise lounge or recliner backrest while seated.

Always make sure the backrest is flat before moving the chaise lounge.






Keep all limbs clear from under the backrest when it is in a raised position.

Serious finger, hand, or other bodily injuries may result from adjusting the chaise lounge backrest position while seated.



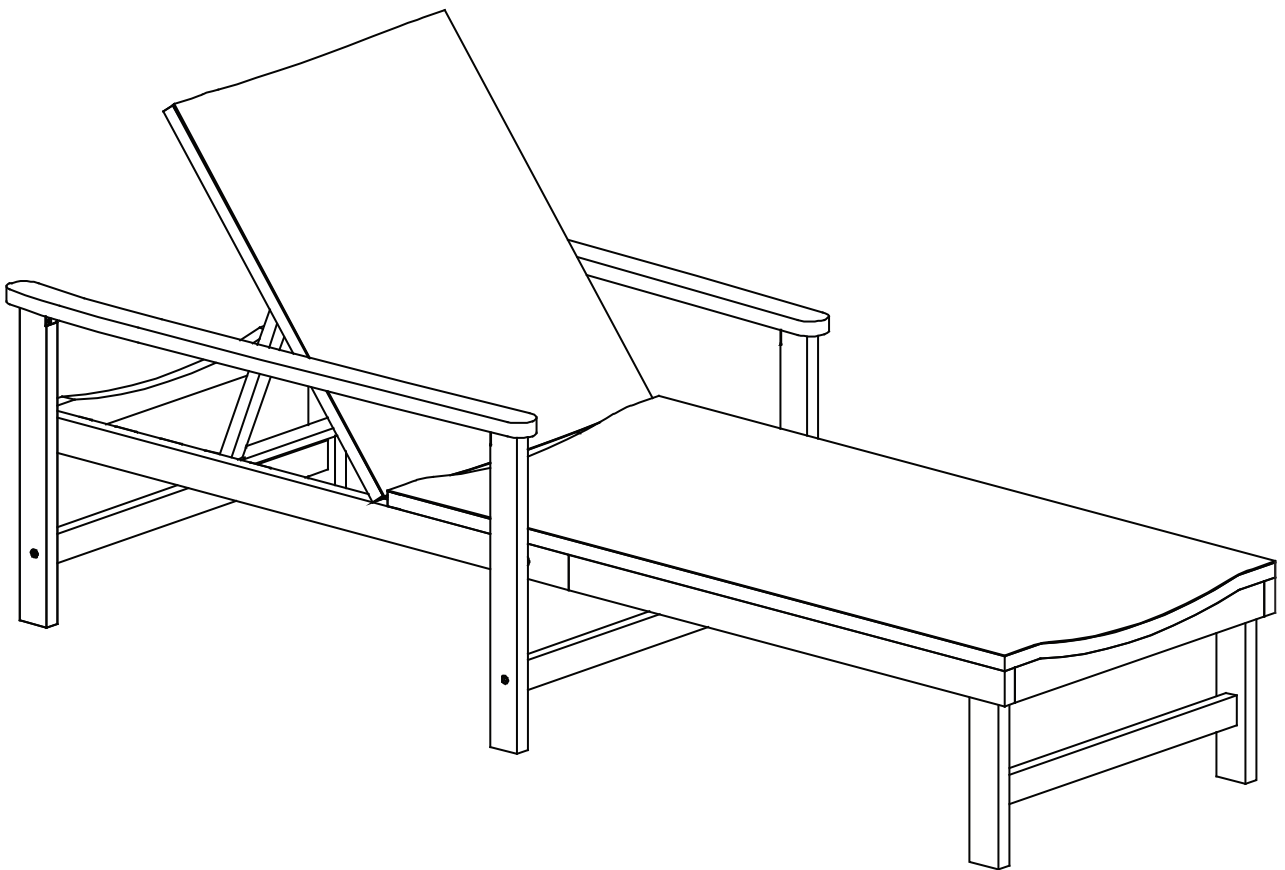
The examples pictured above are non exhaustive and are for your reference only

Care & Maintenance

- ⊗  ● Not for commercial use. For residential use only.
- ⊗  ● Prolonged exposure to rain may cause rusting which can stain floors.
- ⊗  ● Do not put hot items directly on furniture surface.
- ⊗  ● Do not clean furniture with harsh cleansers or polish.
- ✓  ● To obtain the longest lifespan of your outdoor products, minimizing exposure to direct sunlight is recommended.
- ⊗  ● Children should not climb or jump on the furniture.
- ⊗  ● Do not write on furniture without a padded barrier to protect the surface.
- ✓  ● To obtain the longest lifespan of your outdoor products, avoid extended and lengthy exposure to rain, snow, and direct sunshine. Whenever possible cover the product and /or place under patio or awnings.
- ⊗  ● Stains may be removed with mild soap solution and damp cloth.
- ✓  ● Keep away from sources of ignition.
- ✓  ● Dust and pick-up spills using a clean, non-colored, lint-free cloth.

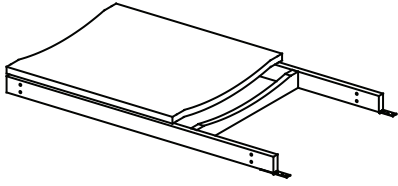
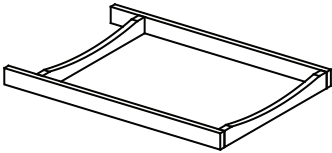

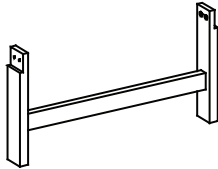
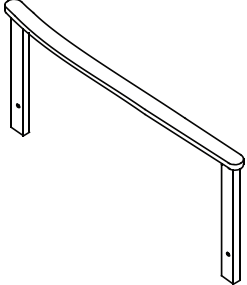
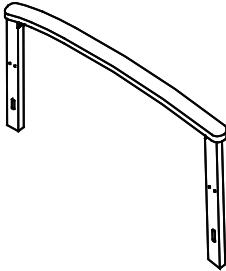
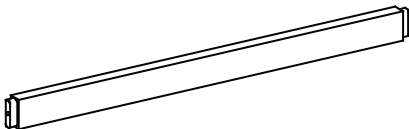
Please look into the Seat Panel for hardware packs

SUNLOUNGER







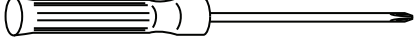



CAUTION: This Sunlounger is NOT a TOY.
Keep your child / children at bay during the assembly process.
Whenever lifting or moving the Sunlounger and to prevent damage to the Sunlounger, two adults may be needed to execute these actions.

Parts List

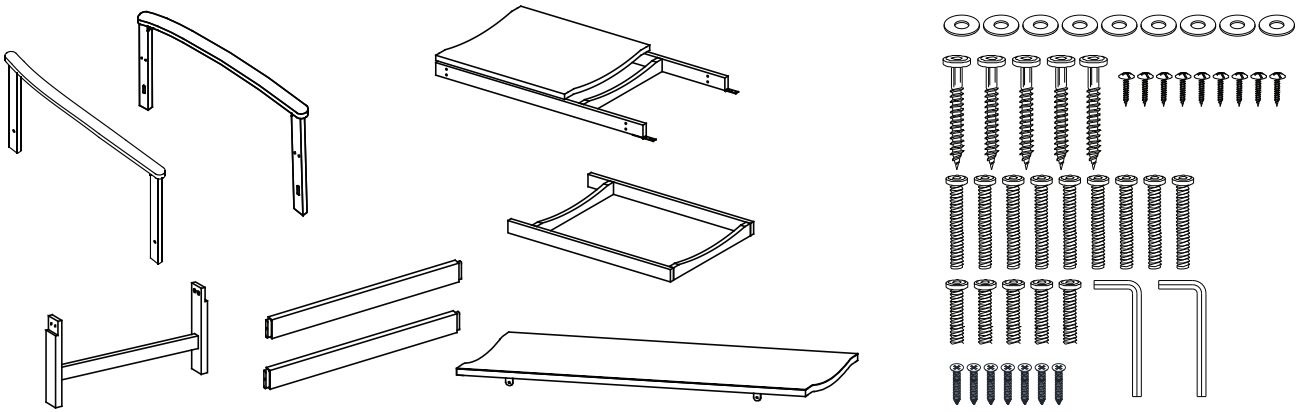
Label	Picture	Description	QTY
A	 A perspective view of a curved wooden backrest frame with a central support structure and two side rails.	Backrest frame	1
B	 A perspective view of a rectangular wooden seat frame with a curved front edge and a central support structure.	Seat Frame	1
C	 A perspective view of a long, thin, curved wooden seat panel with small feet at the ends.	Seat Panel	1
D	 A perspective view of a horizontal wooden leg support frame with two vertical end supports.	Leg Support Frame	1
E	 A perspective view of a curved wooden left armrest frame with a vertical end support.	Left Armrest Frame	1
F	 A perspective view of a curved wooden right armrest frame with a vertical end support.	Right Armrest Frame	1
G	 A perspective view of a long, thin wooden leg support bar.	Leg Support Bar	2

Hardware

Label	Picture	Description	QTY
①		Screw (M4*20mm)	9
②		Screw (M7*60mm)	5
③		Bolt (M6*50mm)	9
④		Bolt (M6*30mm)	5
⑤		Washer (M6*16*12mm)	9
⑥		Allen Wrench(M4)	2
⑦		Screw driver (not provided)	1
⑧		Screw (M4*30mm)	7

Assembly Preparation

Before Beginning Assembly:



- Read instructions, cover to cover-



- Have 2 adults on hand for assembly-



- Do not assemble on flooring or carpet-



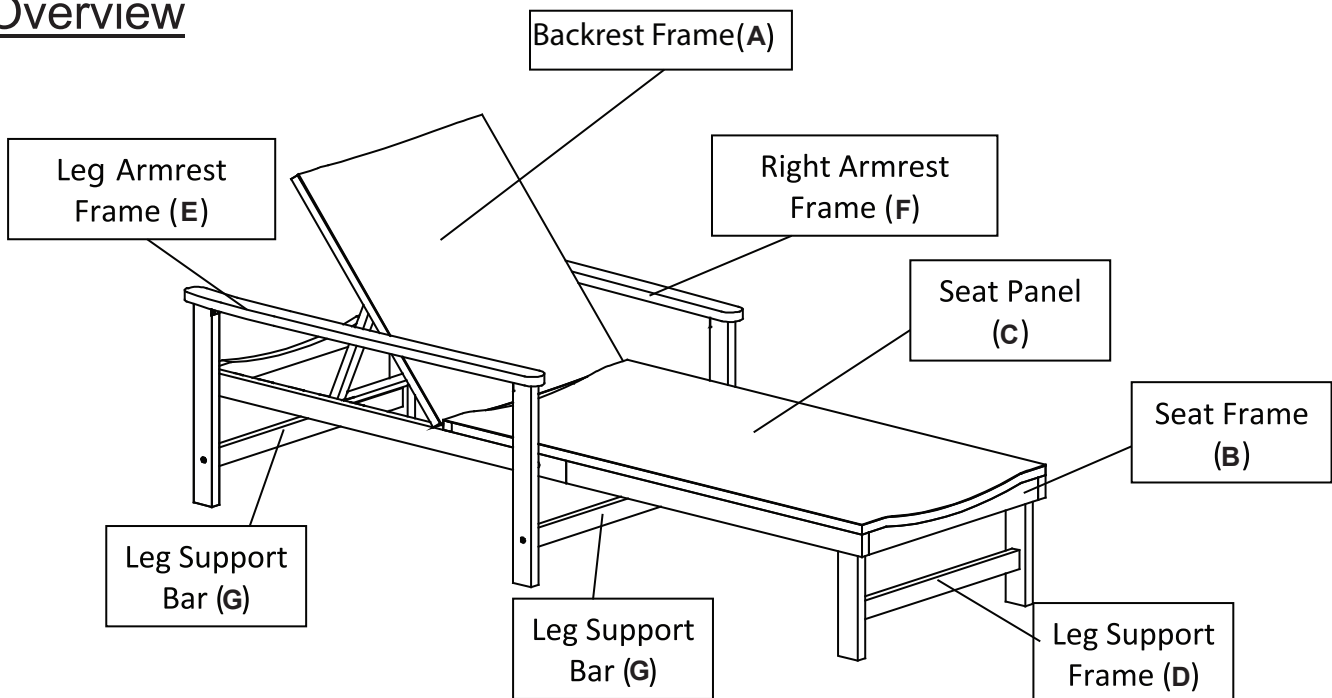
- Assemble on a clean non-marring surface (packing foam)-



- Save all packaging until finished-

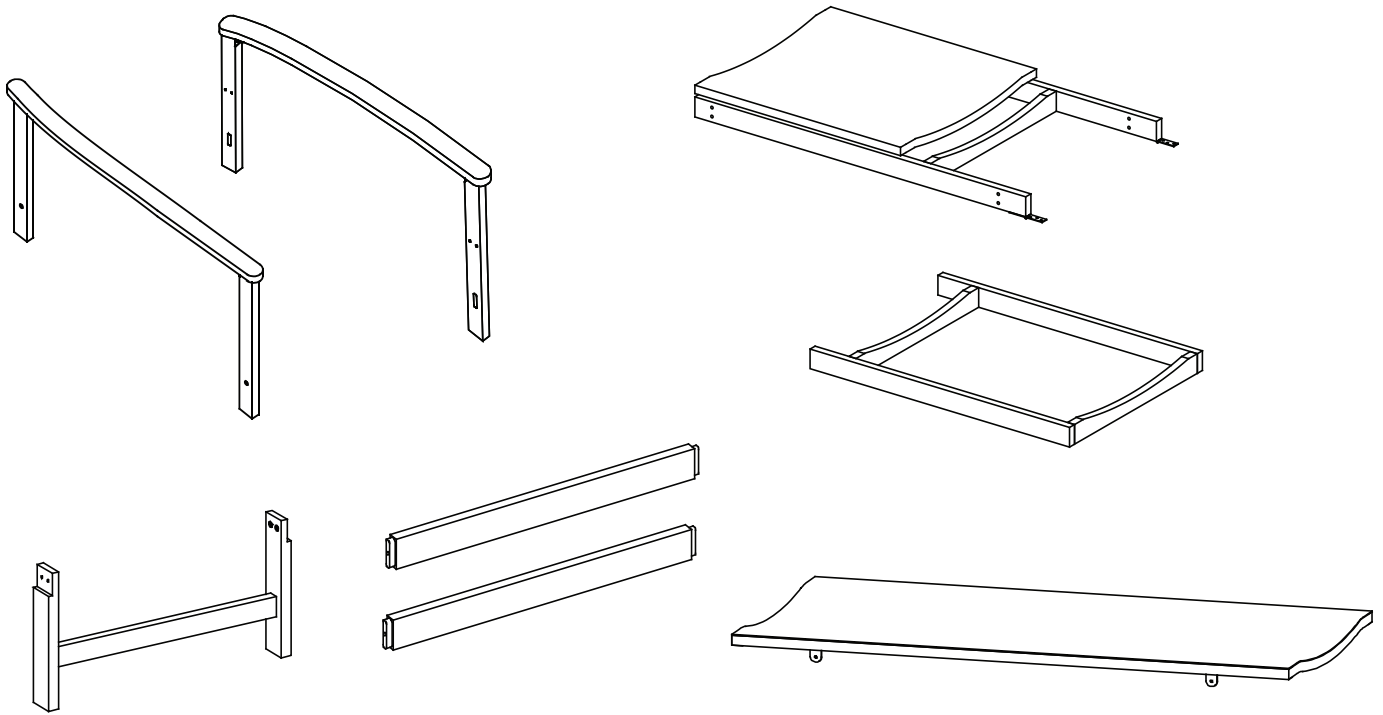
Assembly Steps

Overview



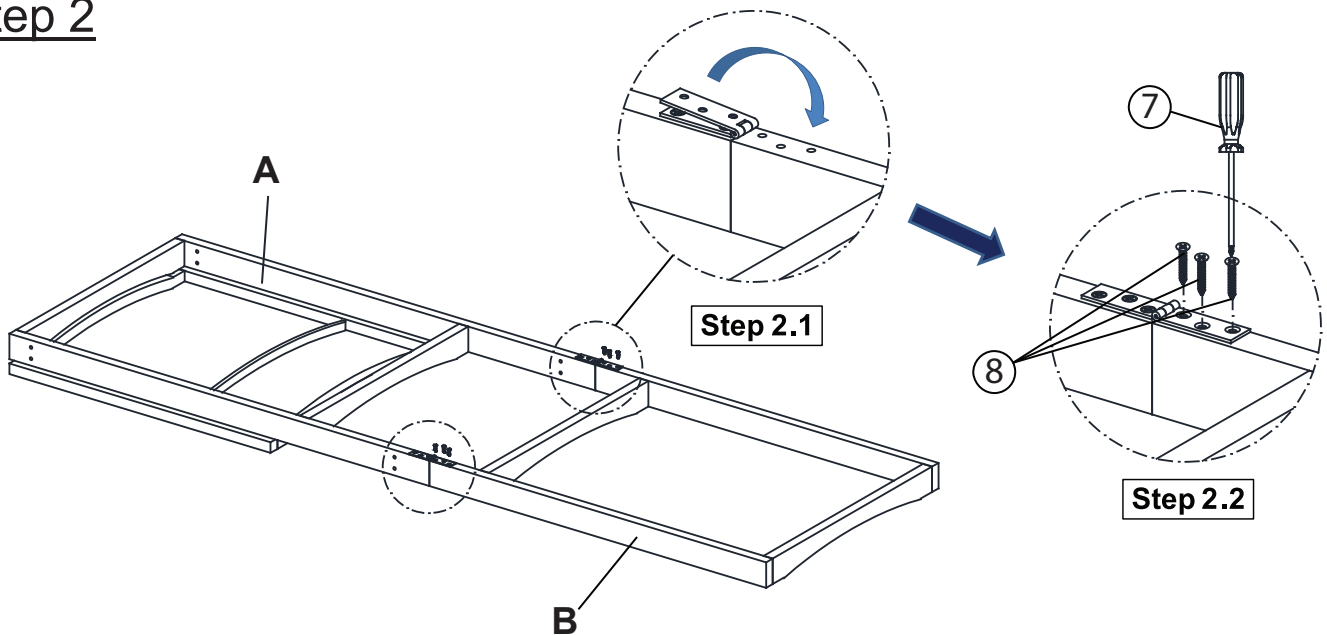
This Sunlounger has multiple parts and may require up to 30 minutes to assemble. To give you an overview of the Sunlounger, the above picture is to help you put the various parts into perspective. Please read through the instructions below to familiarise yourself with the parts and steps before assembly.

Step 1



Unpack and place all parts on a clean, non-marring surface.

Step 2



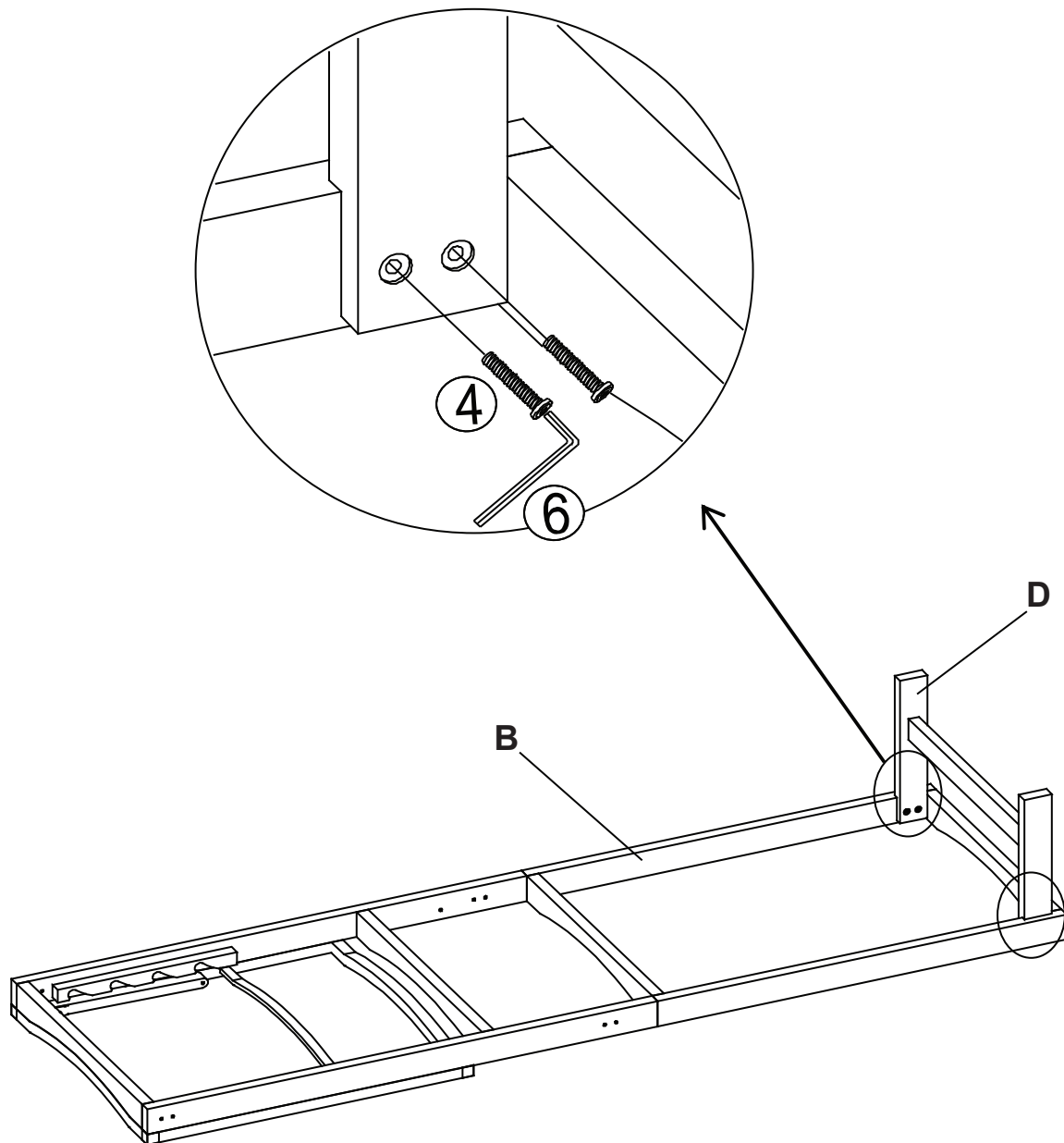
With assistance from your adult partners, turn the Seat Frame (B) and the Backrest Frame (A) (bottom-side up) and place on a clean, non-marring surface to avoid any scratches or damage to the product.

2.1) Make sure the Backrest Frame (A) is aligned with the Seat Frame (B) then open the hinge as indicated by the arrow.

2.2) Attach the Backrest Frame (A) onto the Seat Frame (B) using Screw (8) and the Screwdriver (7) as shown in picture above.

Fully tighten the Screws.

Step 3

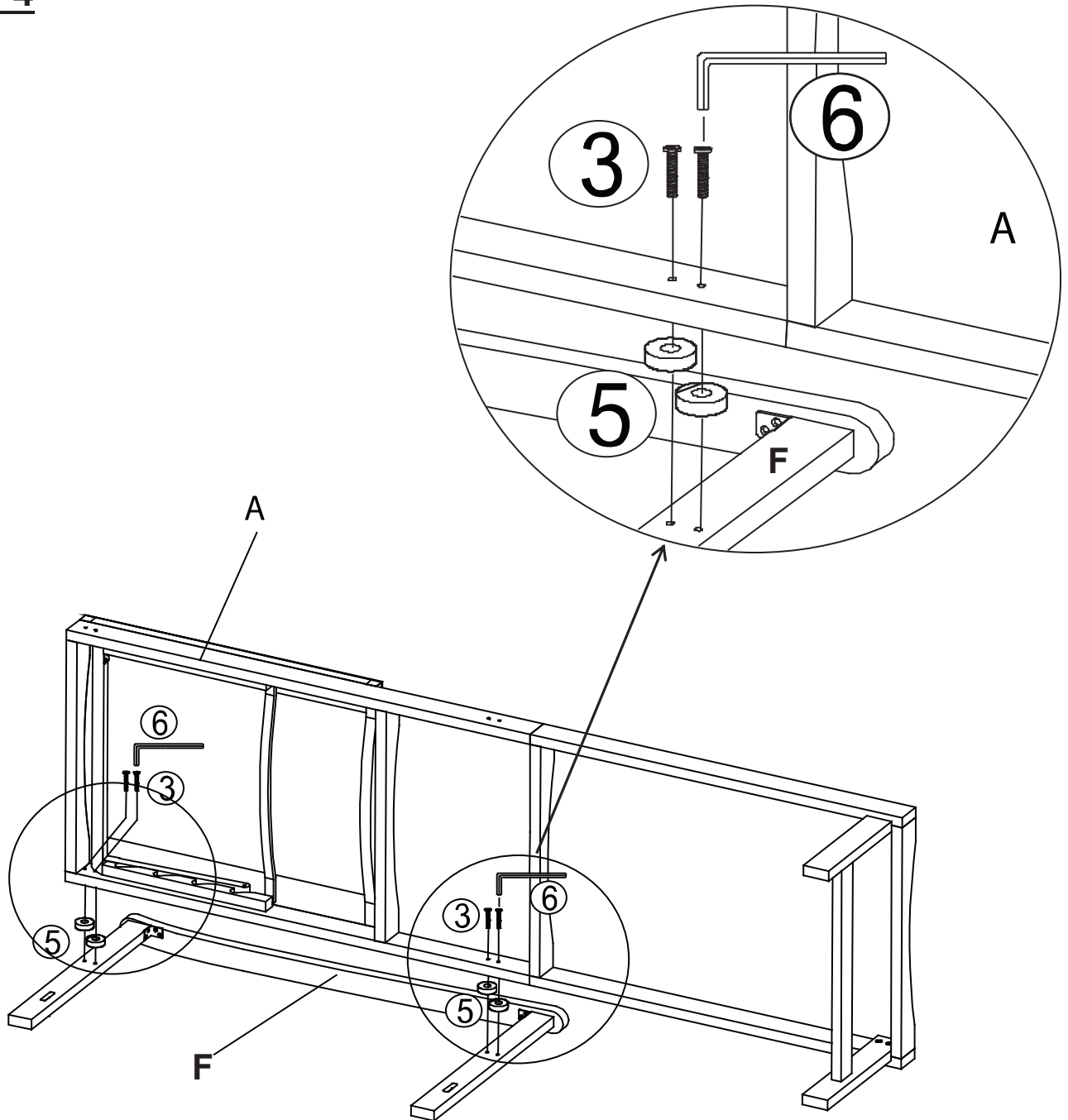


With assistance from your adult partner, put the Leg Support Frame (D) to Seat Frame (B) as shown above.

Secure Leg Support Frame (D) to Seat Frame (B) by using Bolts (4) with Allen Wrench (6)

DO NOT fully tighten the Bolts.

Step 4



Place Right Armrest Frame(F) on a clean, non-marring surface.

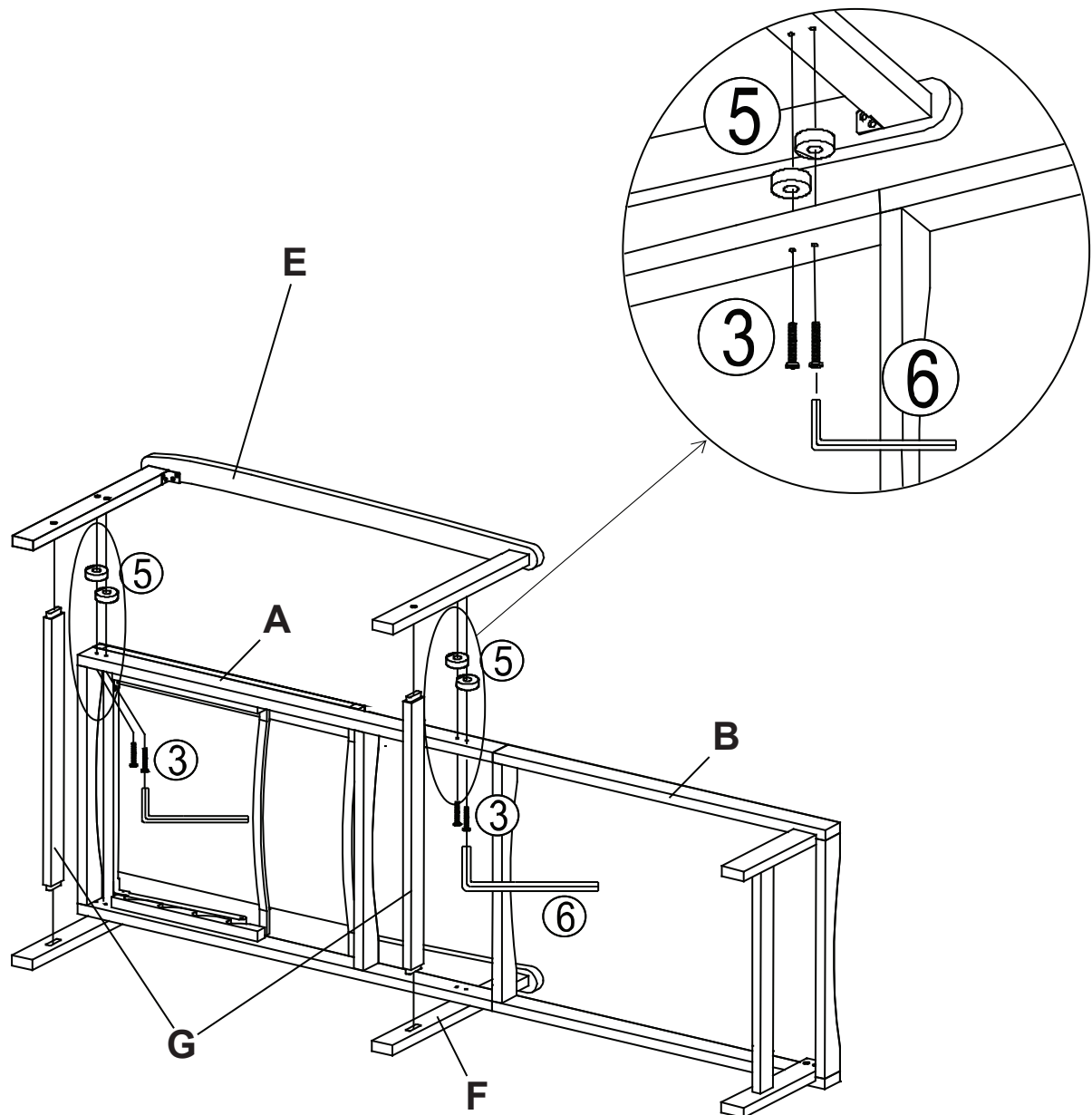
With the help of your adult partner, turn the Sunlounger lie on the Right Armrest Frame(F) as designated point.

Using Bolts(3), Washers (5) and Allen Wrench (6) to attach Backrest Frame(A) to the Right Armrest Frame(F) as shown above.

DO NOT fully tighten the Bolts.

Note: Washers (5) is in the middle of Right Armrest Frame(F) and Backrest Frame(A)

Step 5



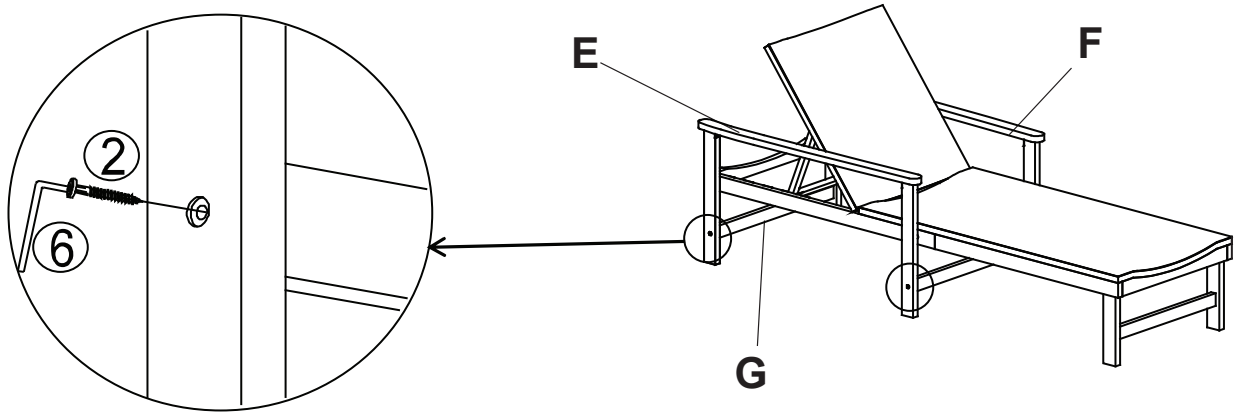
Align the Tenon of Leg Support Bar(G) into the Mortises of Right Armrest Frame(F). Then position Mortises of Left Armrest Frame(E) onto Tenon of Leg Support Bar(G) as shown above.

Secure the Left Armrest Frame (E) to Backrest Frame(A) by using Bolts(3) with Allen Wrench (6)

DO NOT fully tighten the Bolts.

Note: Washers(5) is in the middle of Left Armrest Frame(E) and Backrest Frame(A)

Step 6



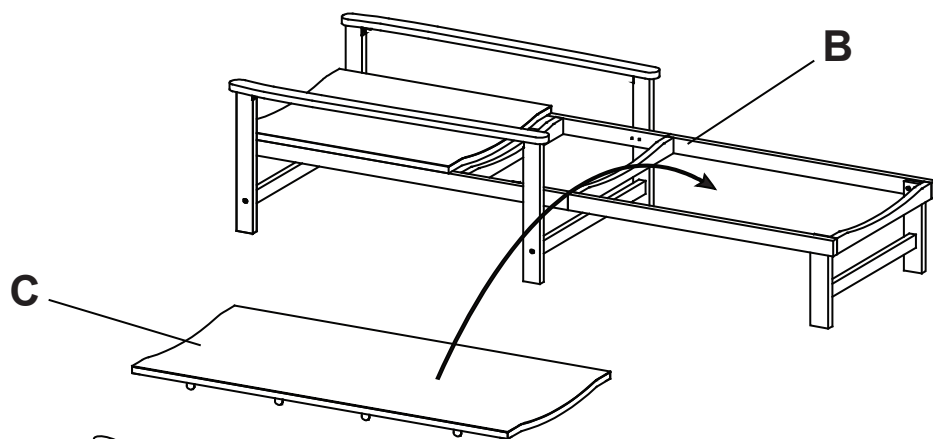
With the help from your adult partner, turn pre-assembled in step 5 right side up
Affix the Left Armrest Frame(E) to Leg Support Bar(G) by using Screws (2) with
Allen Wrench (6) as shown above.

Then, repeat the same process of this step to attach the Right Armrest Frame(F) to
Leg Support Bar(G).

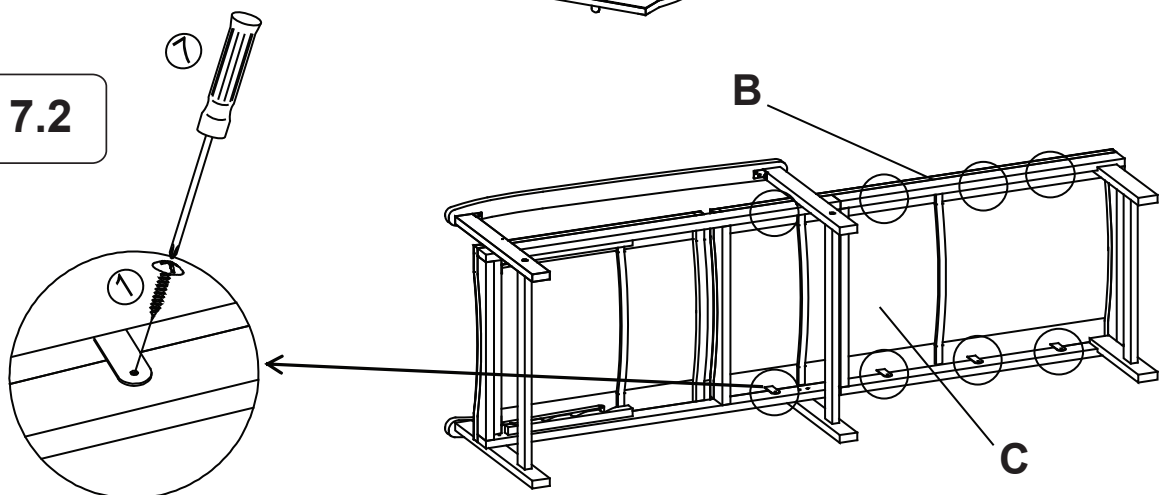
DO NOT fully tighten the Screw.

Step 7

Step 7.1



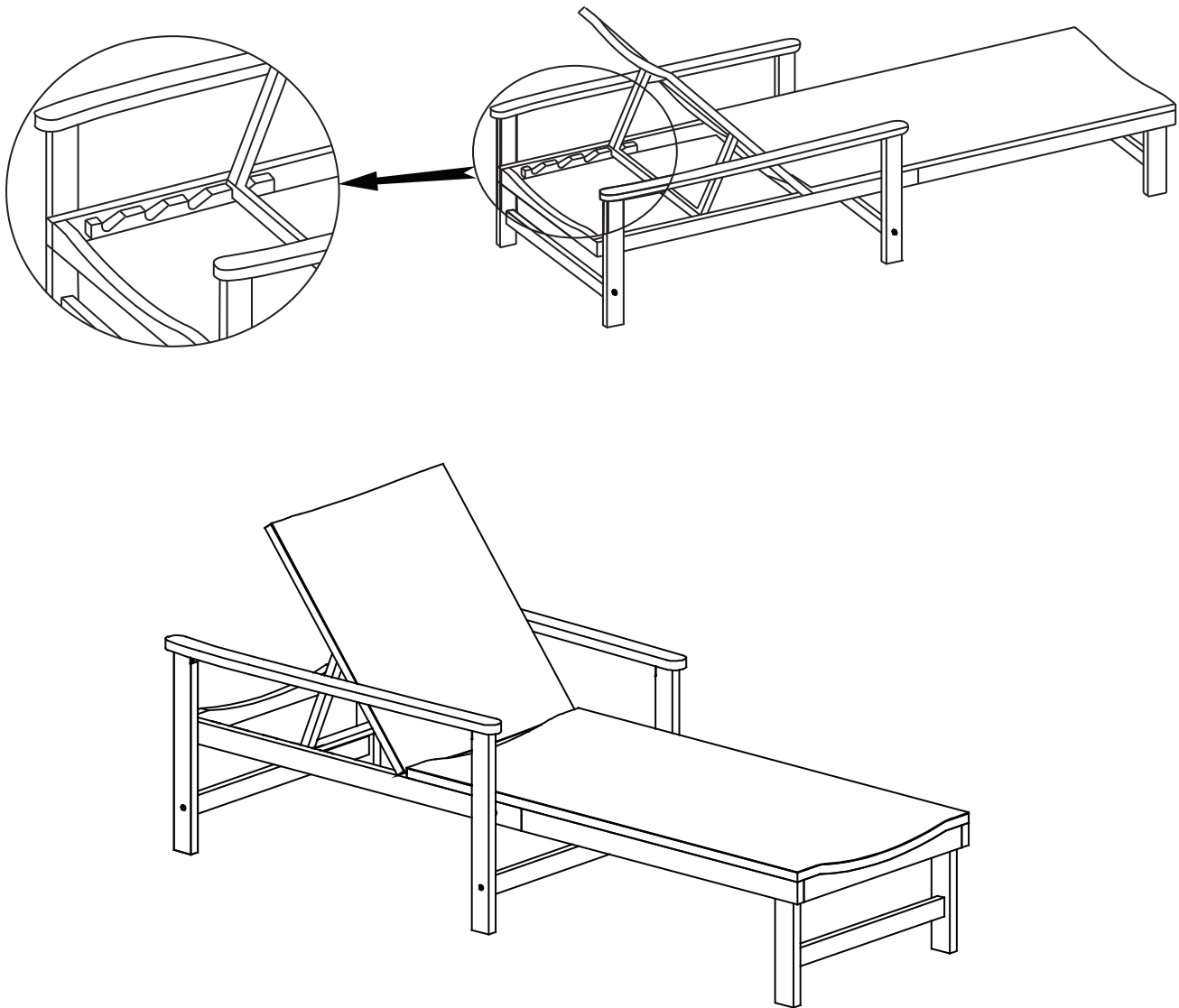
Step 7.2



7.1: Position the Seat Panel (C) onto Seat Frame (B)

7.2: With helps from your adult partners, turn the pre-assembled in step 6.1 to its
side as shown above. Then secure the Seat Panel (C) to Seat Frame(B) by using
Screws(1) with Screw Driver(7)

Step 8



Carefully sit onto the Sunlounge.

This pressure will help the Sunlounge reach full alignment at all joints.

In a sequential manner, gradually tighten all Bolts and Screws until evenly secured.

Inspect the Sunlounge and make sure all parts are adequately connected.

Your Sunlounge is ready for use.

This Sunlounge can only be used on a flat, level surface.

Note: Align the Backrest of Sunlounge in position you want

Questions & Answers about Proposition 65

- What is Proposition 65?

Proposition 65 requires businesses to provide warnings to Californians about significant exposures to chemicals that cause cancer, birth defects or other reproductive harm. These chemicals can be in the products that Californians purchase, in their homes or workplaces, or that are released into the environment. By requiring that this information be provided, Proposition 65 enables Californians to make informed decisions about their exposures to these chemicals. Proposition 65 also prohibits California businesses from knowingly discharging significant amounts of listed chemicals into sources of drinking water.

Proposition 65 requires California to publish a list of chemicals known to cause cancer, birth defects or other reproductive harm. This list, which must be updated at least once a year, has grown to include approximately 900 chemicals since it was first published in 1987.

- What types of chemicals are on the Proposition 65 list?

The list contains a wide range of naturally occurring and synthetic chemicals that include additives or ingredients in pesticides, common household products, food, drugs, dyes, or solvents. Listed chemicals may also be used in manufacturing and construction, or they may be byproducts of chemical processes, such as motor vehicle exhaust.

- What does a warning mean?

If a warning is placed on a product label or posted or distributed at a workplace, a business, or in rental housing, the business issuing the warning is aware or believes that it is exposing individuals to one or more listed chemicals.

By law, a warning must be given for listed chemicals unless the exposure is low enough to pose no significant risk of cancer or is significantly below levels observed to cause birth defects or other reproductive harm.

- Where can I get more information on Proposition 65?

If you have specific questions on the administration or implementation of Proposition 65, you can contact OEHHA's Proposition 65 program at P65.Questions@oehha.ca.gov, or by phone at (916) 445-6900.