

FLEXSTEEL®

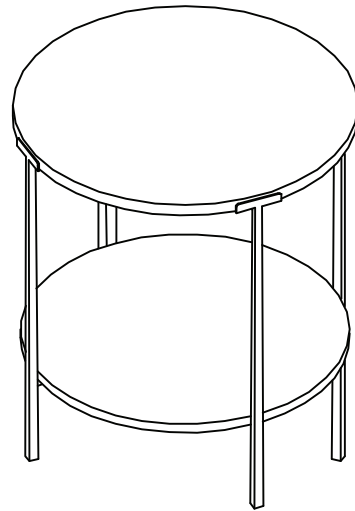
W1077-02

Round End Table

IMPORTANT NOTE

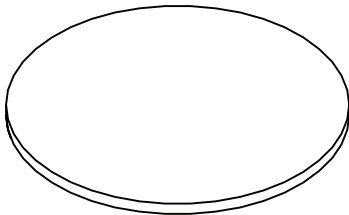
Carefully remove all the parts from the carton and put them individually on a soft cloth to prevent damage to the parts.

We have taken great care in the design of this product and request that you carefully and accurately follow our assembly instructions to ensure proper set-up.

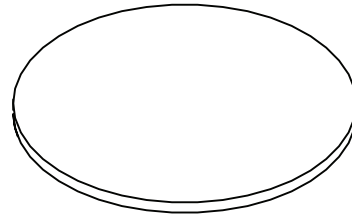


Part List

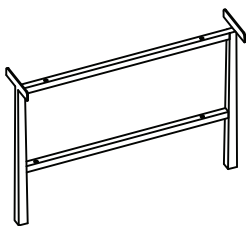
Assembly Instruction 1/3



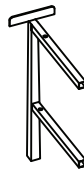
A. Table Top
1 piece



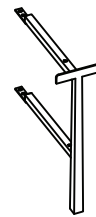
B. Shelf Panel
1 piece



C. Long Leg Frame
1 piece



D. Short Left Leg Frame
1 piece



E. Short Right Leg Frame
1 piece

Hardware List



Long Bolt
8+1 pieces
Ø1/4*1-1/2"



Short Bolt
6+1 pieces
Ø1/4*3/4"



Flat Washer
14+1 pieces
Ø1/4*16mm



Spring Washer
14+1 pieces
Ø1/4



Hex Key
1 piece
30*100*4mm

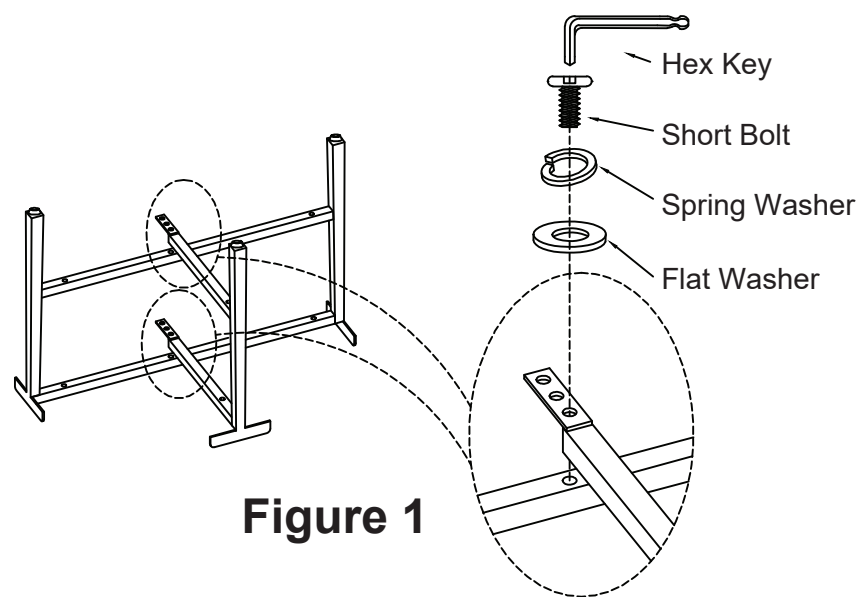
IMPORTANT

- Do not tighten up all the bolts until each part is properly assembled.
- You should keep the Hex Key in a safe place as you may need to tighten up the bolts in the future.
- Use a soft cloth between these parts and the floor.

STEP 1

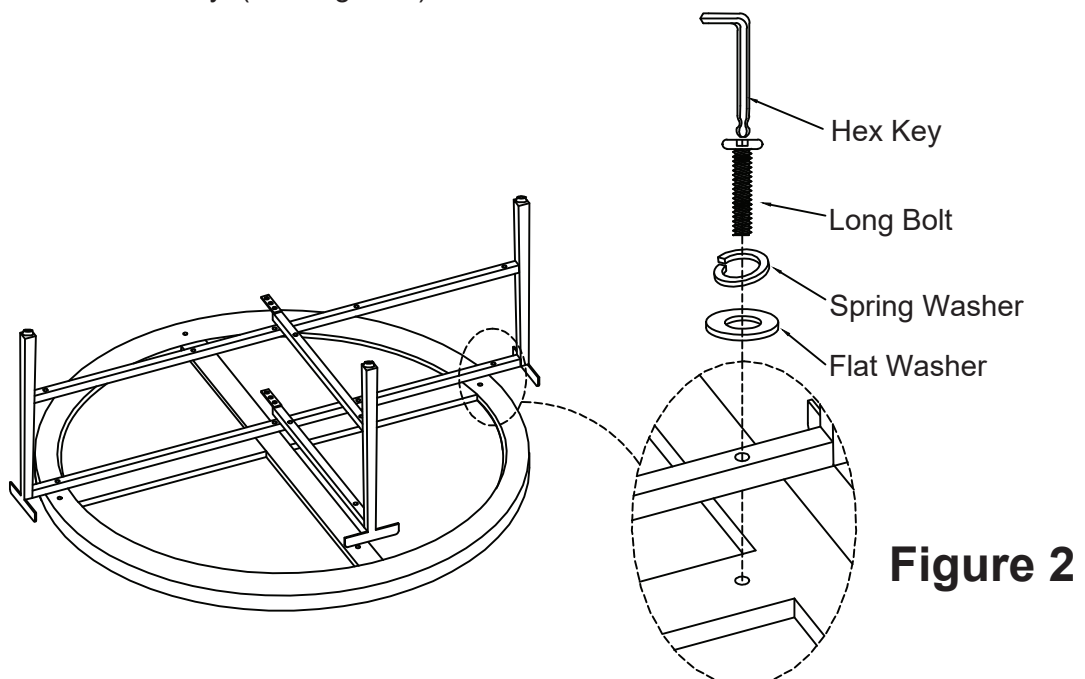
Attach the Long Leg Frame (C) to the Short Right Leg Frame (E) with the Short Bolt, Spring Washer, and Flat Washer. Tighten with the Hex Key. (See Figure 1)

Note: Do not fully tighten the bolts at this stage



STEP 2

Attach the Table Top (A) to the Leg Frames (C) & (E) with the Long Bolt, Spring Washer, and Flat Washer. Tighten with the Hex Key. (See Figure 2)



STEP 3

Attach the Shelf Panel (B) to the Leg Frame (C) & (E) with the Long Bolt, Spring Washer, and Flat Washer. Tighten with the Hex Key. (See Figure 3)

Note: Do not fully tighten the bolts at this stage

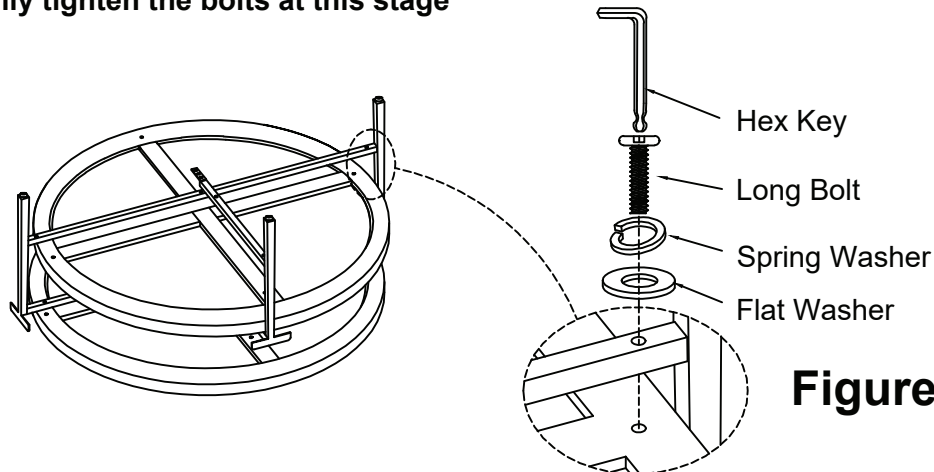


Figure 3

STEP 4

Assemble Short Left Leg Frame (D) to the Leg Frame (C) & (E) with the Short Bolt, Spring Washer, and Flat Washer. Tighten with the Hex Key. (See Figure 4)

Assemble Short Left Leg Frame (D) with Table Top (A) & Shelf Panel (B) using the Long Bolt, Spring Washer, and Flat Washer. Tighten with the Hex Key. (See Figure 5)
Note: Fully tighten all the bolts with Hex Key.

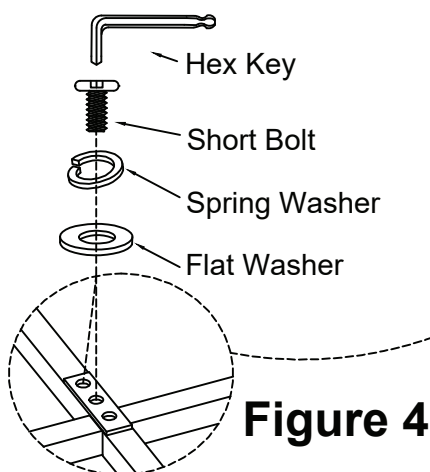


Figure 4

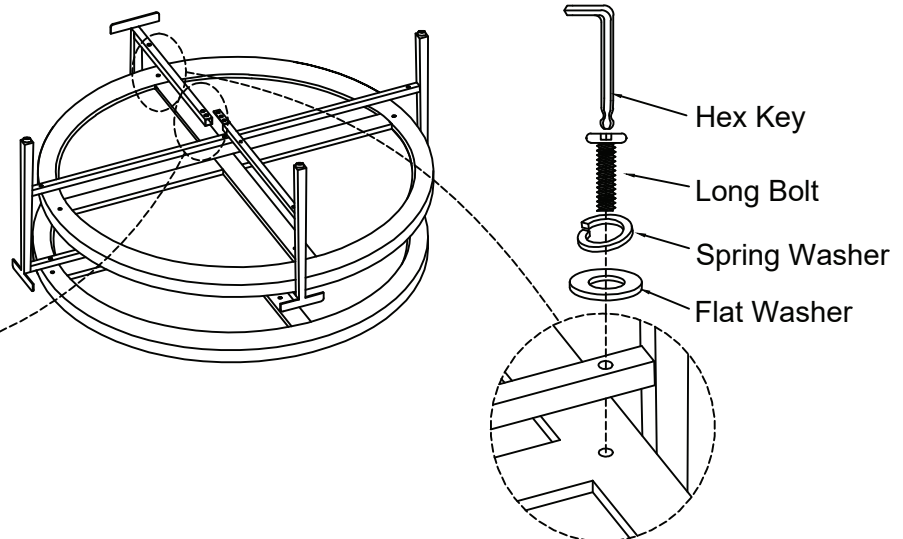


Figure 5

CARE INSTRUCTIONS

- To avoid scratches, do not place sharp or jagged objects directly on the table top.
- Do not place hot items directly on the table top.
- Use placemats or trivets under hot items and coasters under beverages to prevent marks and stains.
- Avoid the use of harsh chemicals or abrasive cleaning materials.
- Wipe the table clean with a soft, dry cloth after each use.
- Mop up spills quickly with a soft, dry cloth.

Flexsteel Industries, Inc.

For Parts or Customer Service, call toll-free: 1-888-415-3979

Monday-Friday 8:00-5:00pm Central Time

Email: customersolutions@flexsteel.com

www.flexsteel.com