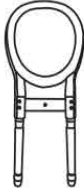
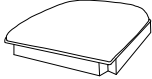
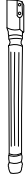
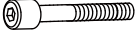




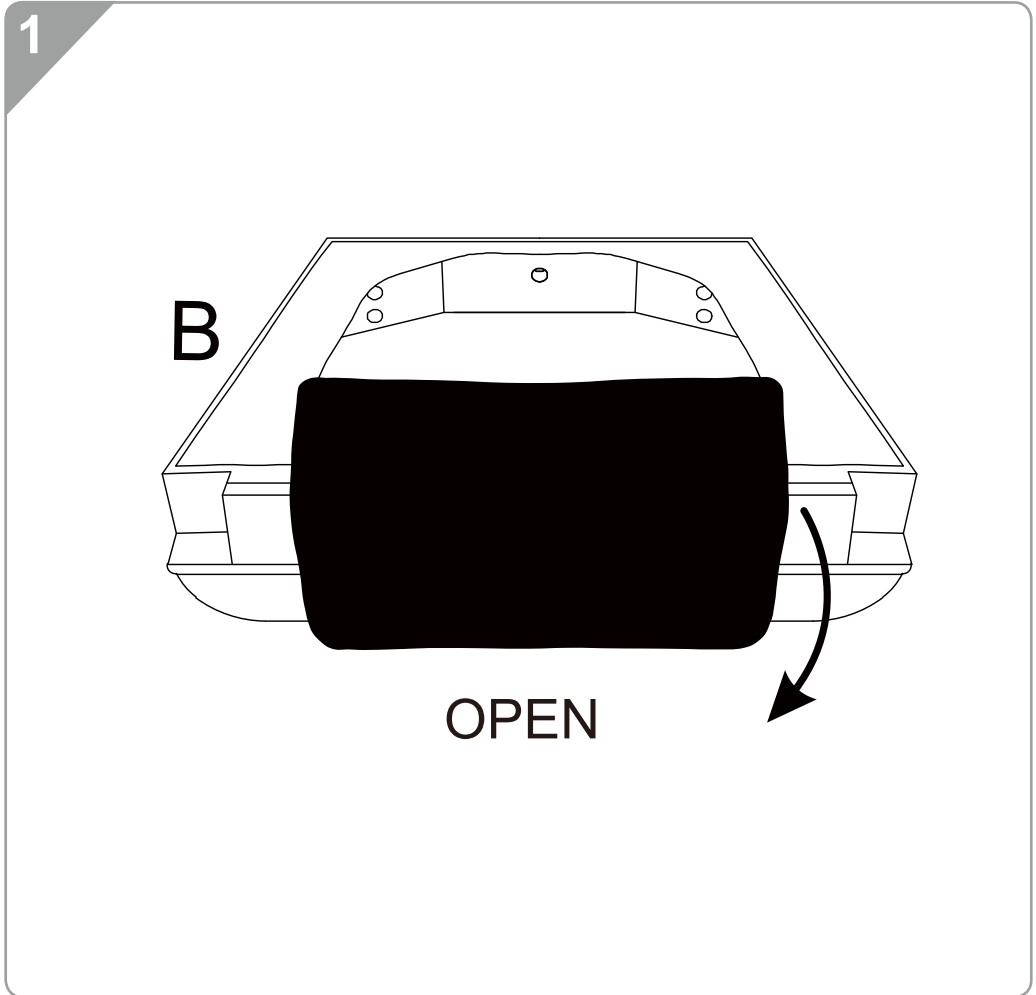
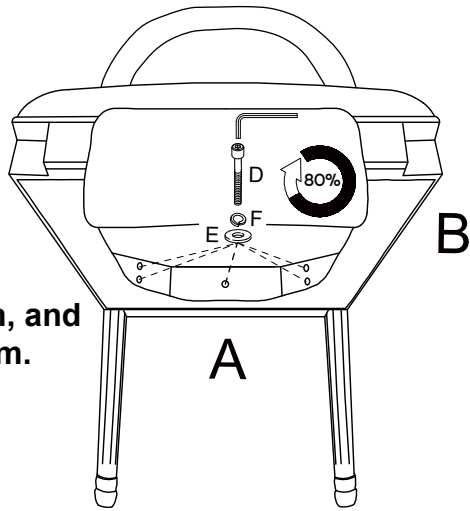


Assembly Instruction

<p>A ×1</p> 	<p>B ×1</p> 	<p>C ×2</p> 	<p>D ×9</p>  <p>M8×60mm</p>
<p>E ×9</p>  <p>M8×22mm</p>	<p>F ×9</p> 	<p>G ×1</p> 	<p>H ×2</p> 

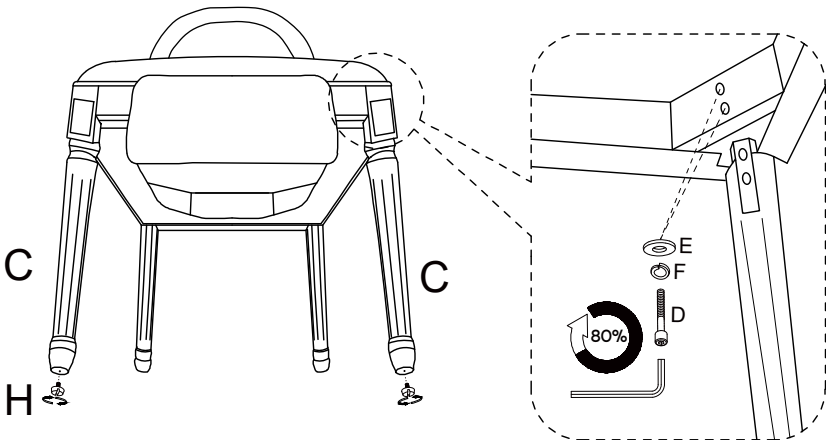


2



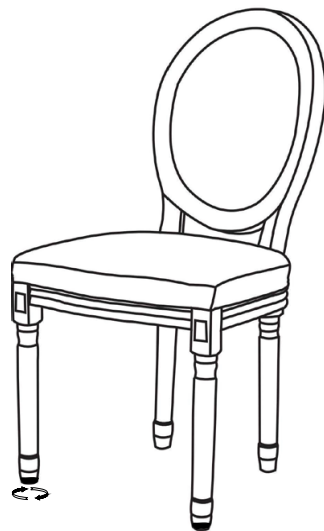
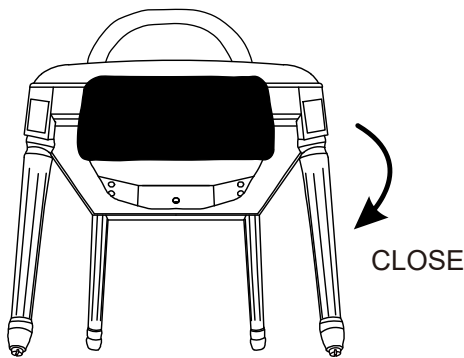
Attention:
All the screws in, and
then tighten them.

3



Attention:
All the screws in, and
then tighten them.

3



IT IS THE USER'S RESPONSIBILITY TO MAINTAIN THE FURNITURE. THE HARDWARE MAY LOOSEN OVER TIME AND MAY CAUSE THE FURNITURE TO BE WOBBLY AND UNABLE TO SUPPORT ITS INTENDED WEIGHT CAPACITY. THIS MAY LEAD TO COLLAPSE AND MAY CAUSE SERIOUS INJURY !!!

WARRANTY

We promise to repair or replace any product or component that is found to be defective in material or workmanship within two (2) years from the date of original purchase so long as you, the original purchaser, still owns it. This is your sole and exclusive remedy. This warranty is subject to the provisions below.

Limitations:

- Upholstery on chairs is warranted for one year from date of purchase.
- Damage caused by the carrier in-transit is handled under separate terms.

Exclusions:

This warranty does not apply and no other warranty applies to:

- Normal wear and tear, which are to be expected over the course of ownership.
- Modifications or attachments to the product that are not approved
- Products that were not installed, used, or maintained in accordance with product instructions and warnings.
- Products used for rental purposes.

Seating Usage: To the extent that a seating product is used in a manner exceeding this, the applicable warranty period will be reduced in a pro-rata manner.

A word about color variations, fabrics and finishes:

does not warrant the color-fastness or matching of colors, grains, or textures of covering materials.