

INSTALLATION GUIDE FOR 9052

WARNINGS AND CAUTIONS

Revised Date: 2025-08

READ AND SAVE THESE INSTRUCTIONS

Please read and understand this entire manual before attempting to assemble, install or operate the product.

WARNING

- RISK OF ELECTRIC SHOCK - Before beginning installation, turn off electricity at the circuit breaker box or the main fuse box.
- RISK OF FIRE - Use bulbs specified by the markings and/or labels on the fixture.
- RISK OF PERSONAL INJURY - DO NOT bend the blades when installing the fan, or cleaning the fan. Do not insert foreign objects in between rotating fan blades.
- RISK OF FIRE, ELECTRIC SHOCK, OR PERSONAL INJURY - mount to outlet box marked and use mounting screws provided with the outlet box.
- All set screws must be checked, and re-tightened where necessary, before installation.
- After making the wire connections, the wires should be spread apart with the grounded conductor and the equipment-grounding conductor on one side of the outlet box and the ungrounded conductor on the other side of the outlet box.

CAUTION

- For your safety, read instructions completely before beginning installation.
- If in doubt about electrical installation, consult a licensed electrician.
- Disconnect fixture from the power source before replacing bulbs or cleaning. Make sure the bulbs are given sufficient time to cool before removing.

TOOLS REQUIRED



CARE AND MAINTENANCE

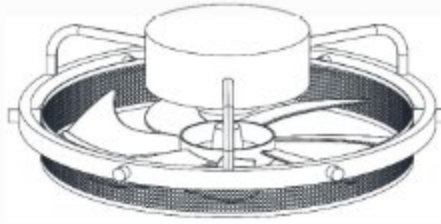
- Wipe clean using soft, dry cloth or static duster. Always avoid using harsh chemicals and abrasives to clean fixture as they may damage the finish.

If you need further assistance contact our After Customer Care at betteraftersaleservice01@outlook.com, we will reply you in 24 hours.

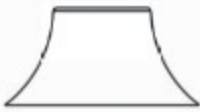
PACKAGE CONTENTS



A 4.92" Rod Assembly
x 1



F Fixture Body
x 1



C Ceiling Canopy Cap
x 1

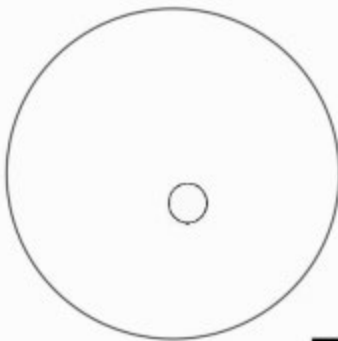
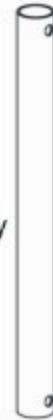


B Ceiling Canopy
x 1



D Motor Cap
x 1

H 7.87" Rod Assembly
x 1



J Glass Shade
x 6



E Hanger Frame
x 1

PACKAGE CONTENTS (PARTS BAG 1)



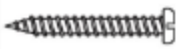
NOTE: Hardware not shown to actual size.



AA Wire Connector
x 4



BB Anchor Bolt
x 2



BB Screw
x 4



EE Mechanical Screw
x 2



CC Wall Anchor
x 4

PACKAGE CONTENTS (PARTS BAG 2)



KK Mechanical Screw
x 4

PACKAGE CONTENTS (PARTS BAG 3)



MM Remote Control
x 1



OO Wall Bracket
x 1



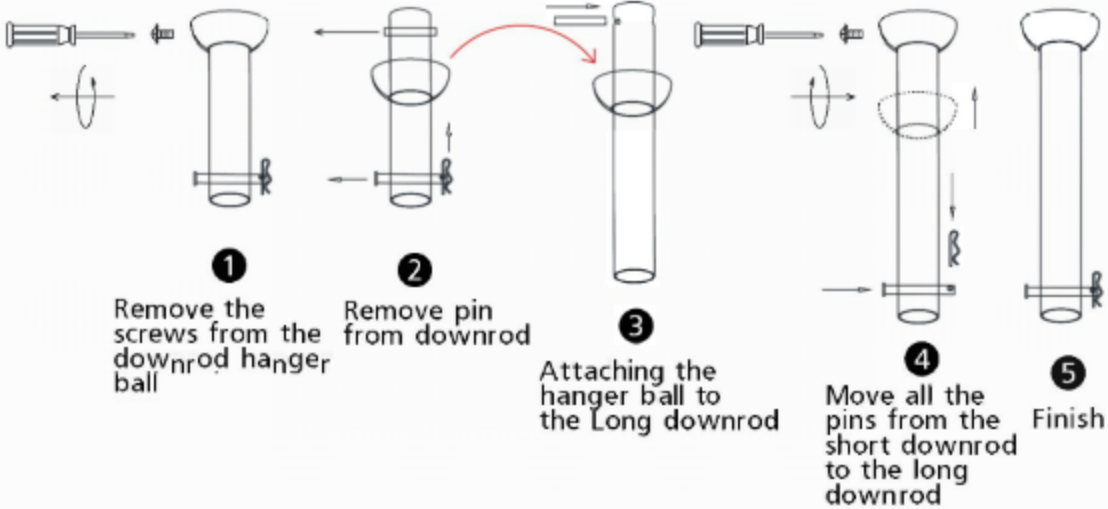
PP Screw
x 2



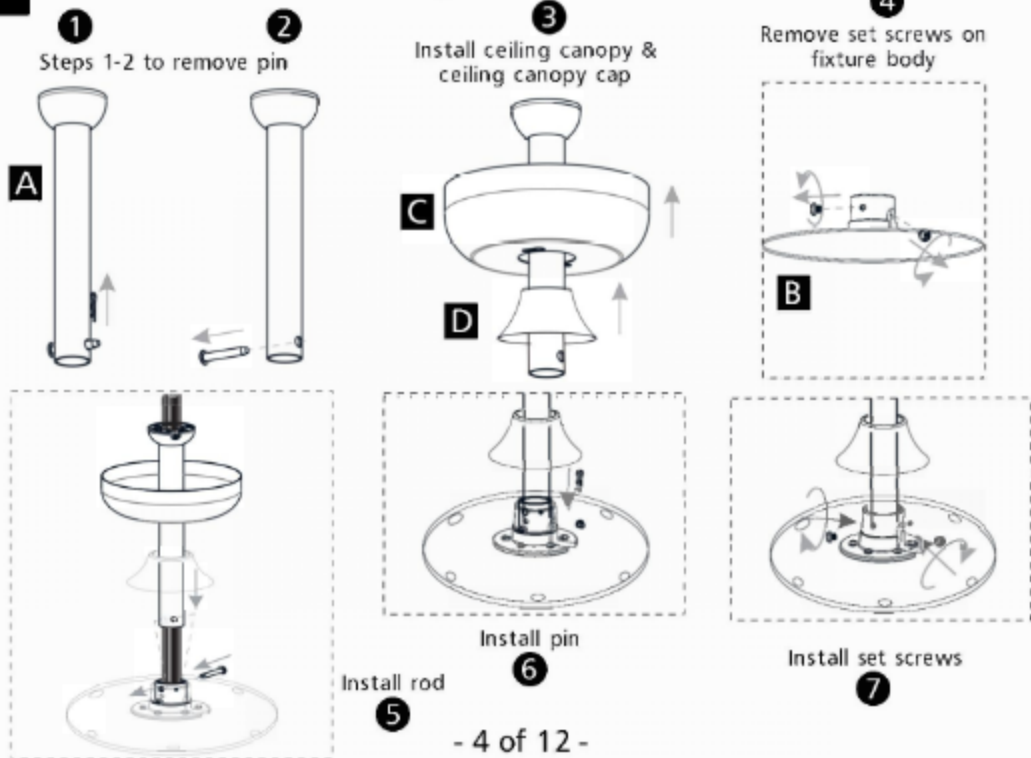
NN AA Batteries
x 2

INSTALLATION

1 Choose Rod

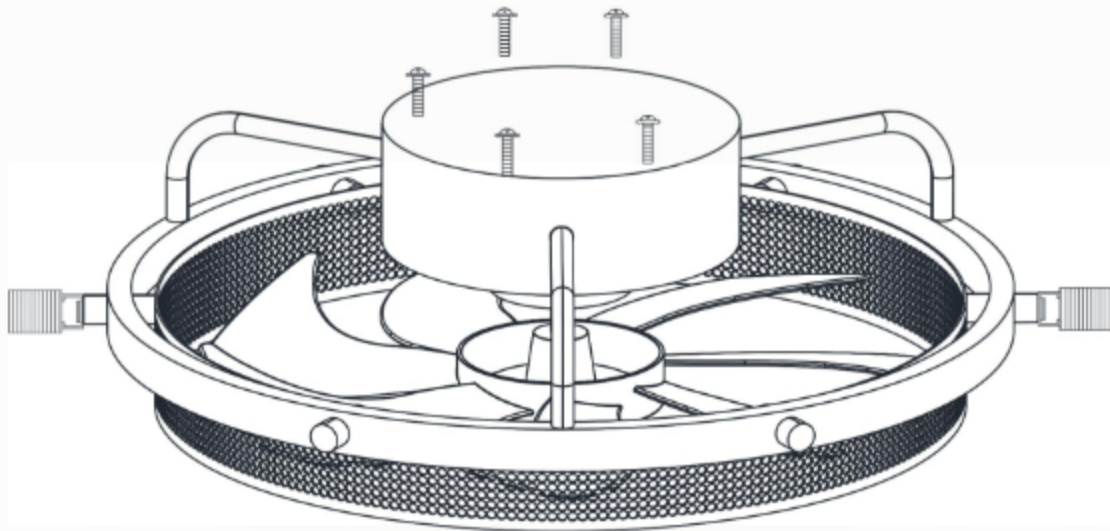


2 Install Rod to Fixture Body



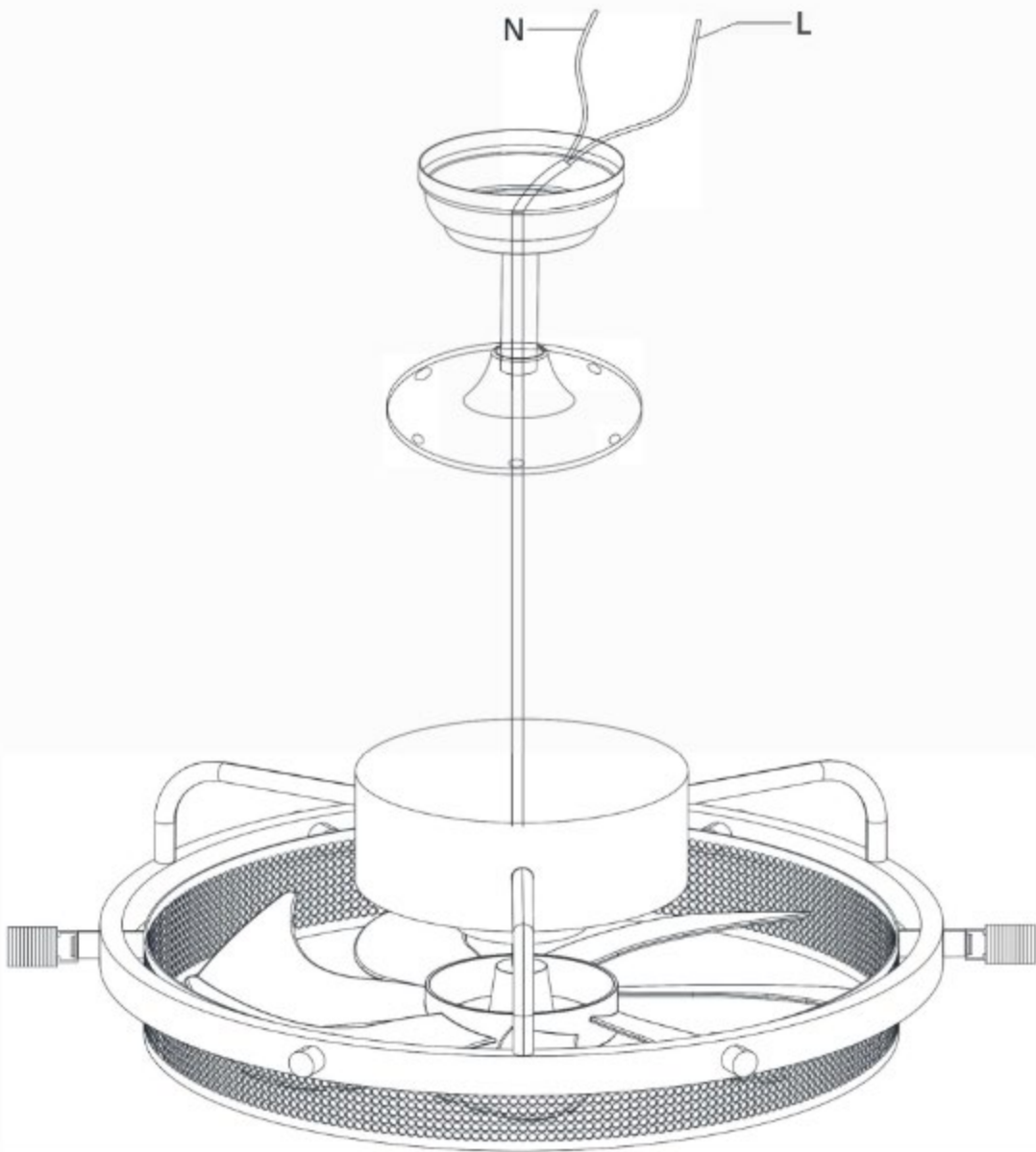
INSTALLATION

- 3 Remove the set screws on the fixture body



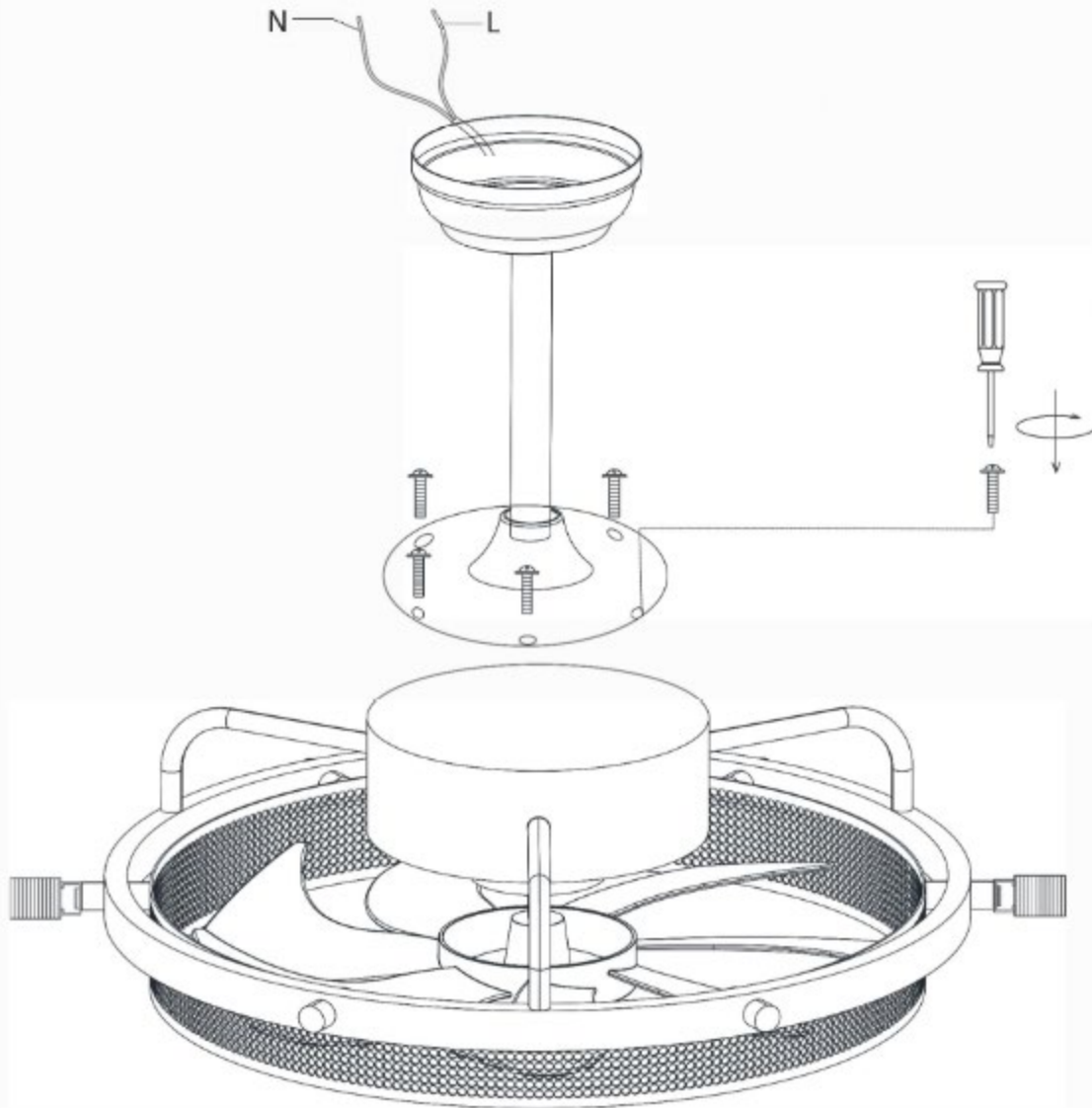
INSTALLATION

4 Thread the wires from the fixture



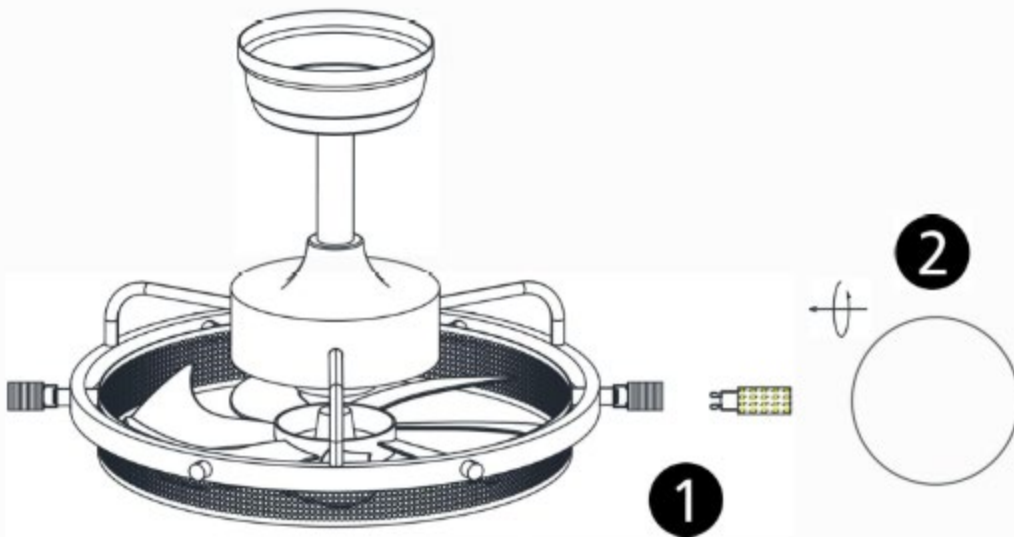
INSTALLATION

5 Install the screws into the motor cap



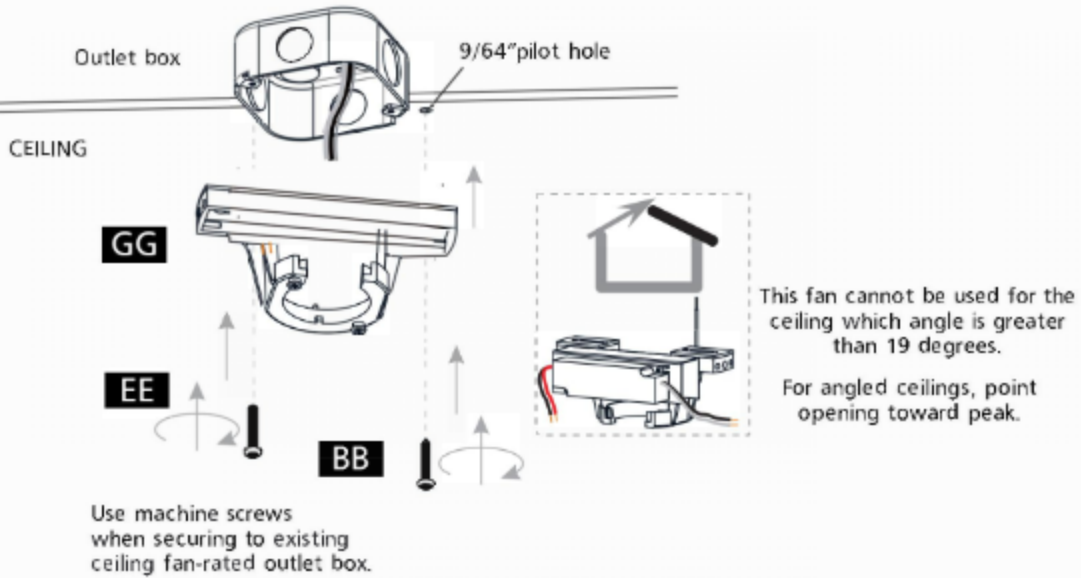
INSTALLATION

- 6** 1. Insert the G9 bulb into the socket shown in Diagram 1
2. Screw the glass shade onto the G9 bulb socket

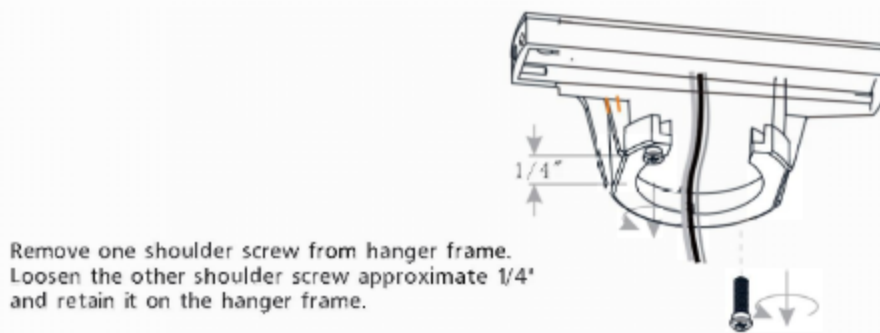


INSTALLATION

7 Install Hanger Frame

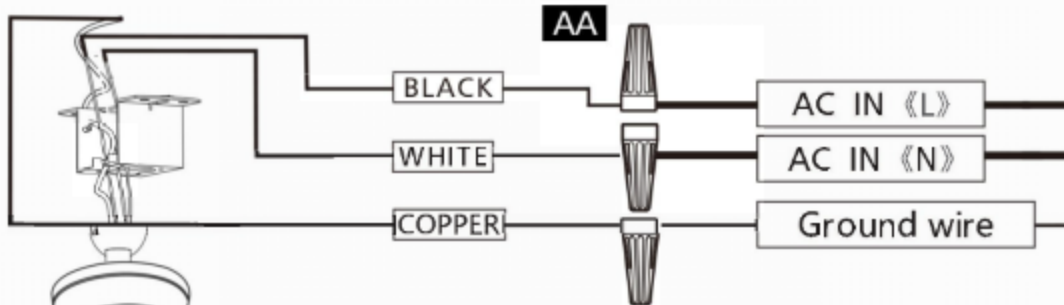


8 Loosen Shoulder Screws



INSTALLATION

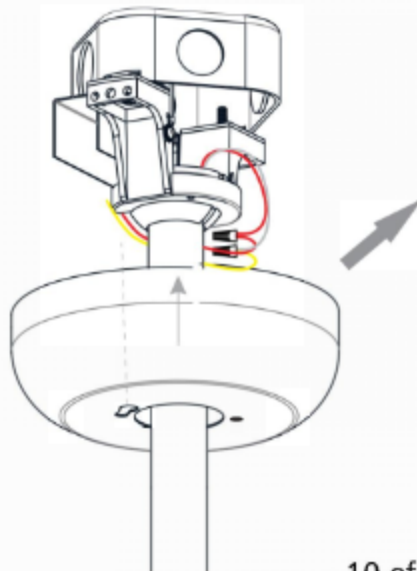
9 Wiring



1. Connect the black wire to the live wire
2. Connect the white wire to the neutral wire
3. Connecting ground

10 Install Ceiling Canopy

Carefully tuck all wires inside of the ceiling canopy during installation.

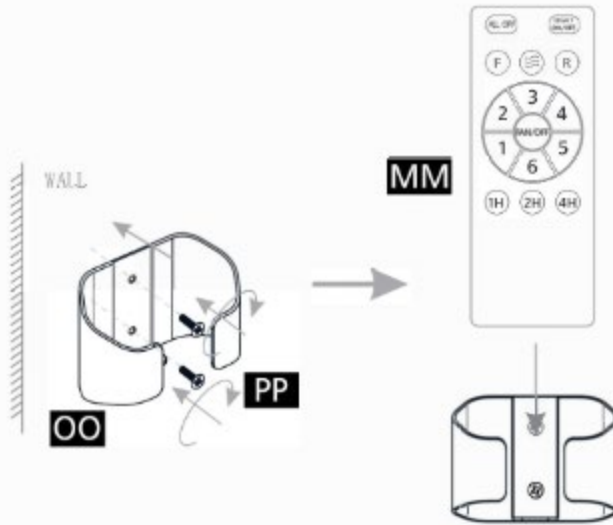


NOTE: You need a short or stubby screwdriver to screw these in



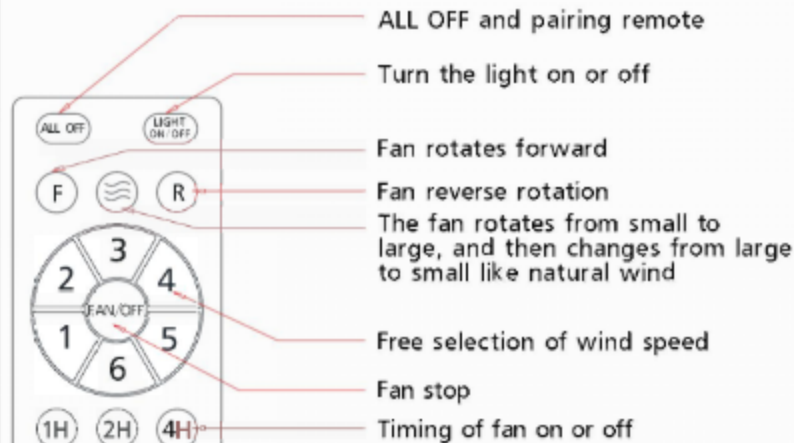
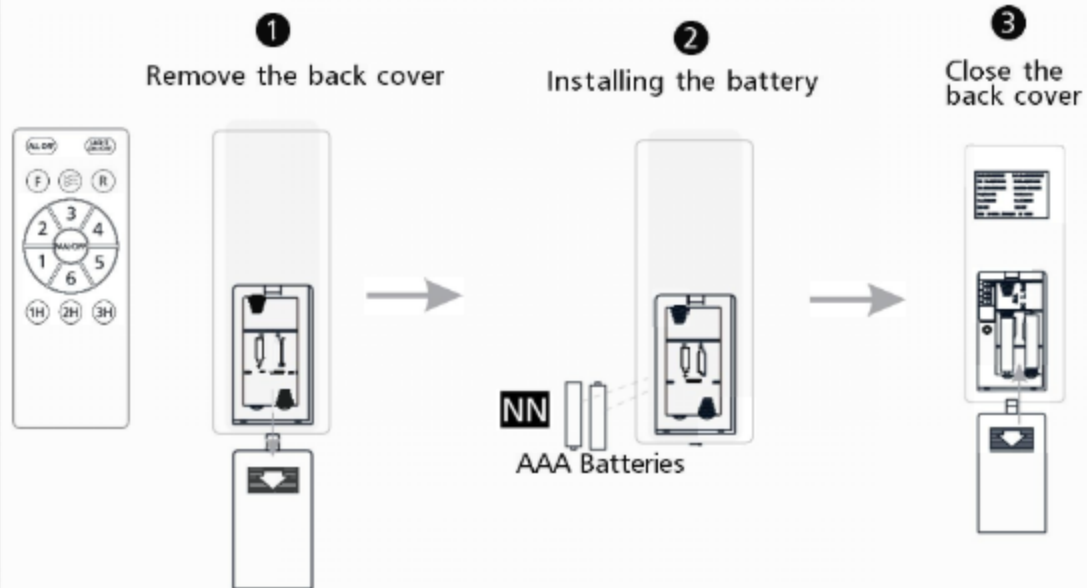
INSTALLATION

11 Install Wall Bracket



INSTALLATION

12 Remote Control Instruction



Remote Control Pairing Instructions:

(If the remote is not working, please refer to this method)

First, turn off the wall switch to completely cut power to the fan.

Then, turn the wall switch back on.

Within 3 seconds after turning the power back on, point the remote

at the fan and press and hold the 'ALL OFF' button

(top left corner of the remote) for 3-5 seconds.

If the fan light flashes, the pairing is successful.

Your installation is now complete. Save this sheet for future