



**Gardening
Made Easier.
Anytime,
Anywhere.**

 **Contact Us**

 +1 (866) 597-1888

 Vego Garden Academy

 hello@vegogarden.com

 vegogarden.com

 [vego_garden](https://www.instagram.com/vego_garden)

 Houston, TX



Assembly Manual for Woodgrain Elevated Garden Bed

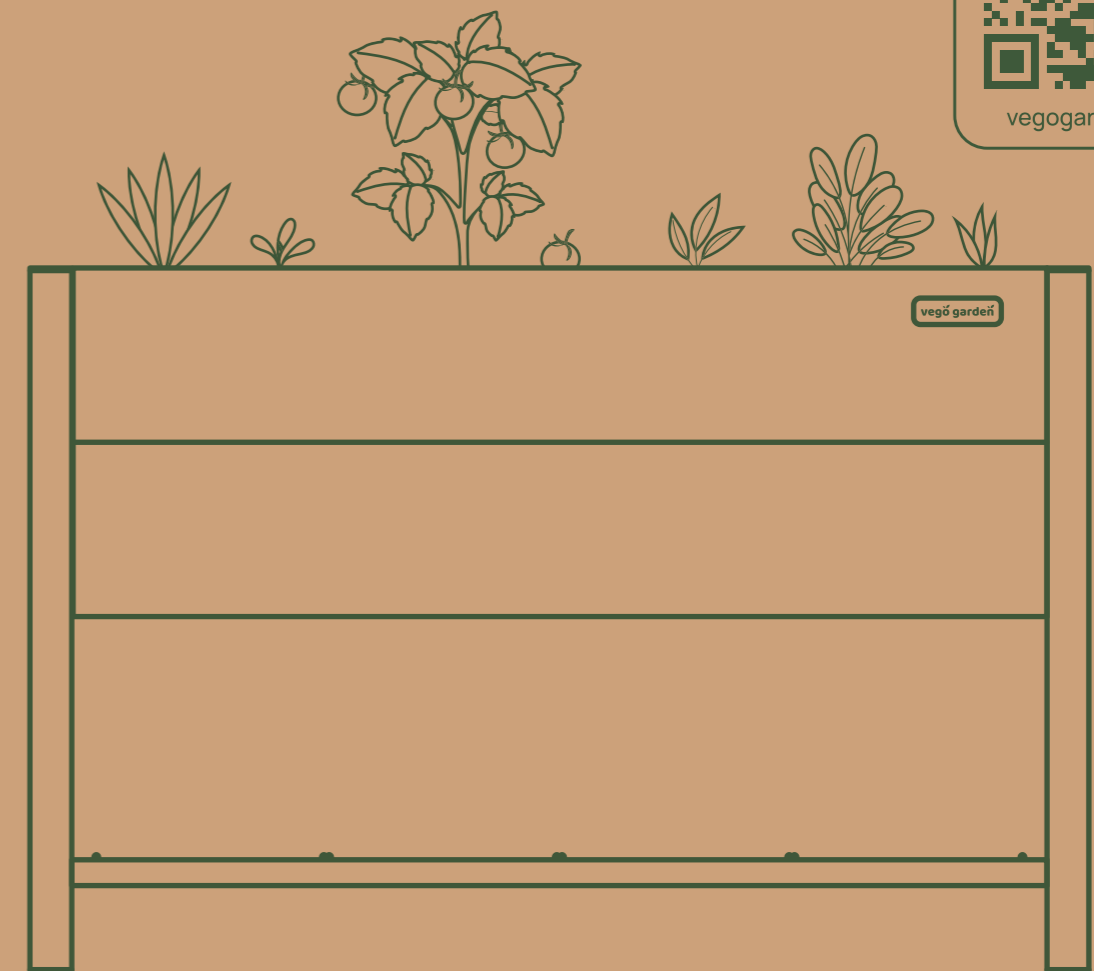
2ft x 4ft

Gardening Made Easier. Anytime, Anywhere.

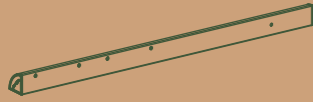
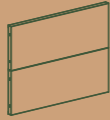

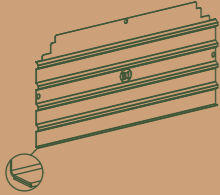
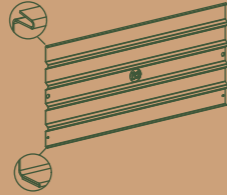
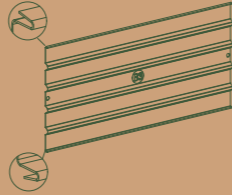
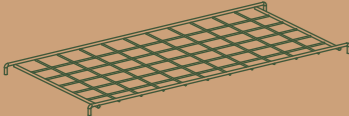





Copyright © 2025 Vego




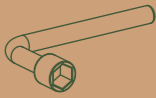
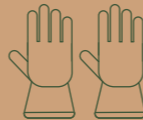


vegogarden.com



Parts List

		
P1 Qty: 4	P2 Qty: 2	P3 Qty: 2
		
B1 Qty: 2	B2 Qty: 1	B3 Qty: 1
		
B4 Qty: 4	H1 Qty: 2	H2 Qty: 2
		
F1 M6x30 Qty: 32	F2 M6x16 Qty: 8	F3 M6x8 Qty: 10

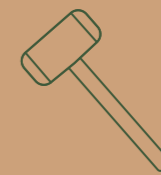
			
Z1 Qty: 6	Aluminum Logo Qty: 1	T1 Qty: 1	T2 Qty: 1
			
Gloves Qty: 1			

Tips

- Additional tools are needed to complete this assembly, see below:



Tape Measure



Rubber Mallet

- During assembly, we recommend placing the empty box flat on the ground to serve as a protective mat.

Safety Precautions

This product may contain sharp metal corners and edges. To prevent injury:

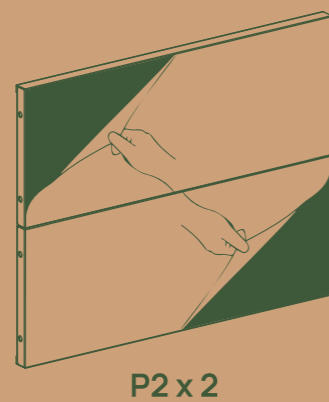
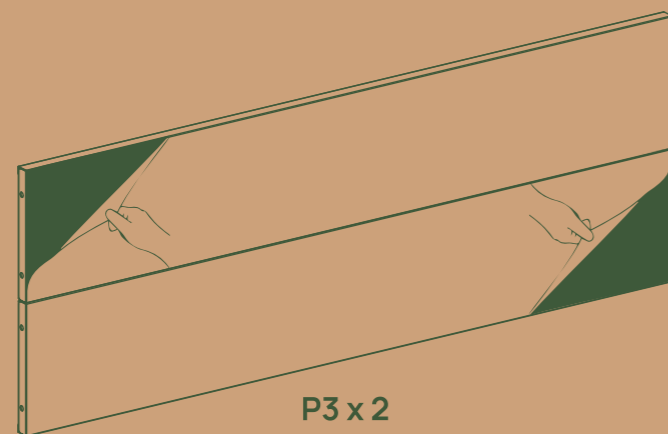
- Handle with care at all times
- Wear gloves, closed-toe shoes & long pants when handling
- Work on a stable, clean surface away from children and pets
- Follow all instructions carefully and use tools only as directed

If you are unsure about any step, pause and seek assistance.

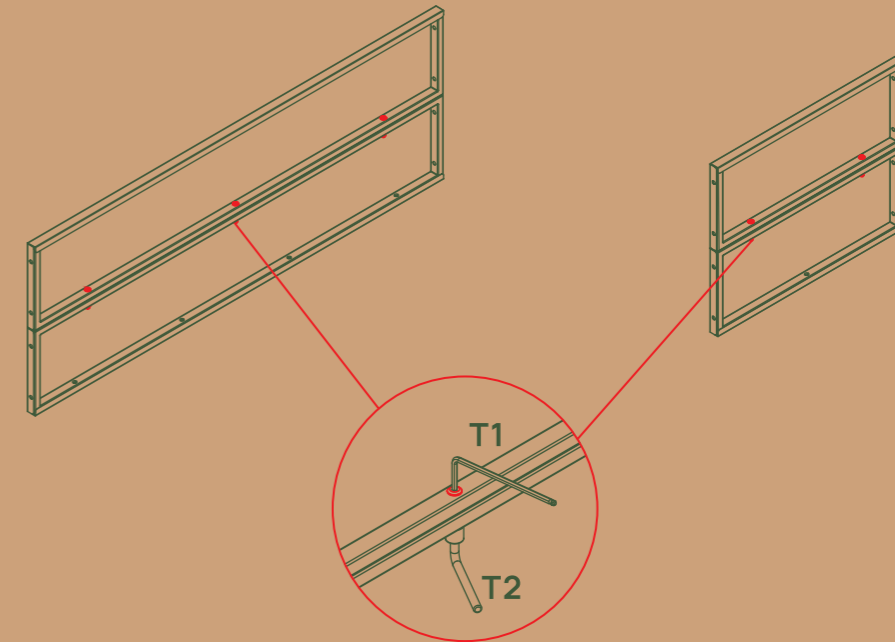


Assembly Guide

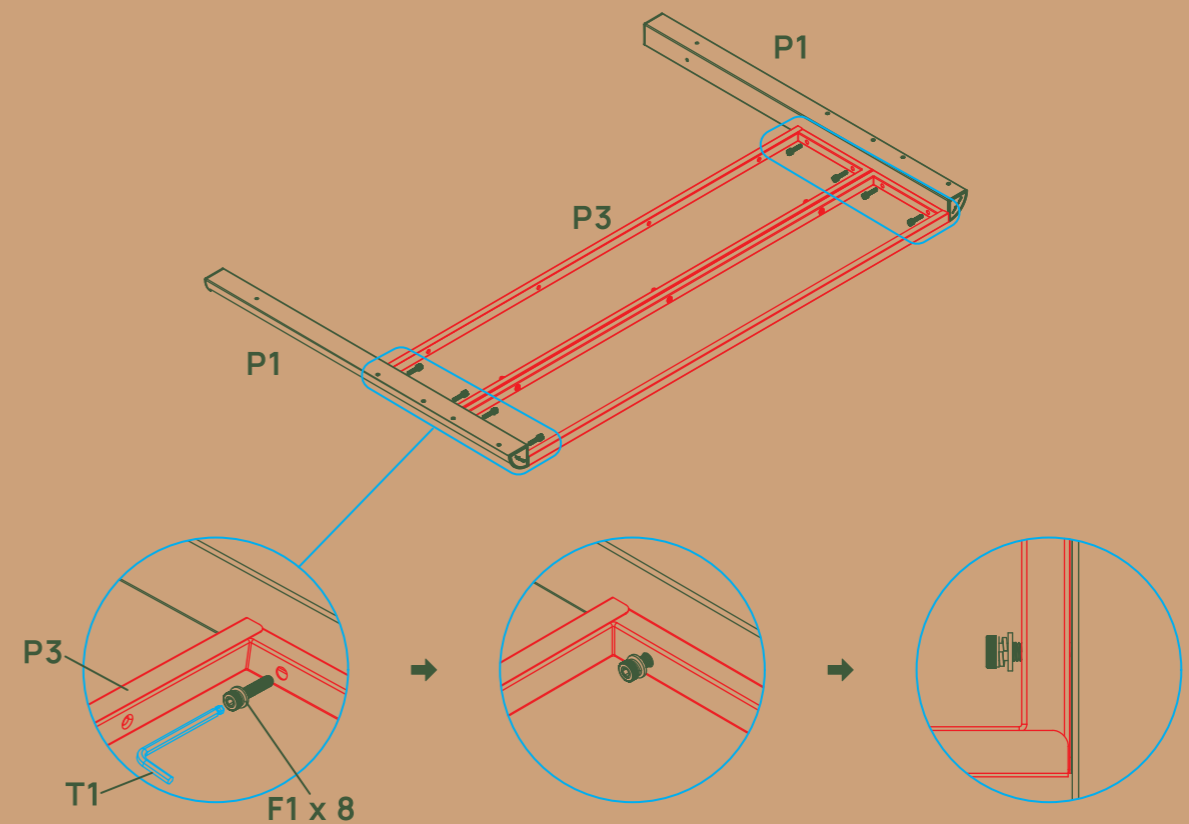
- 1** Please remove the protective film from the exterior of each panel before assembly.



- 2** Check that the internal edges of the P2 and P3 panels are secure. If any are loose, use the T1 and T2 wrenches to tighten them.

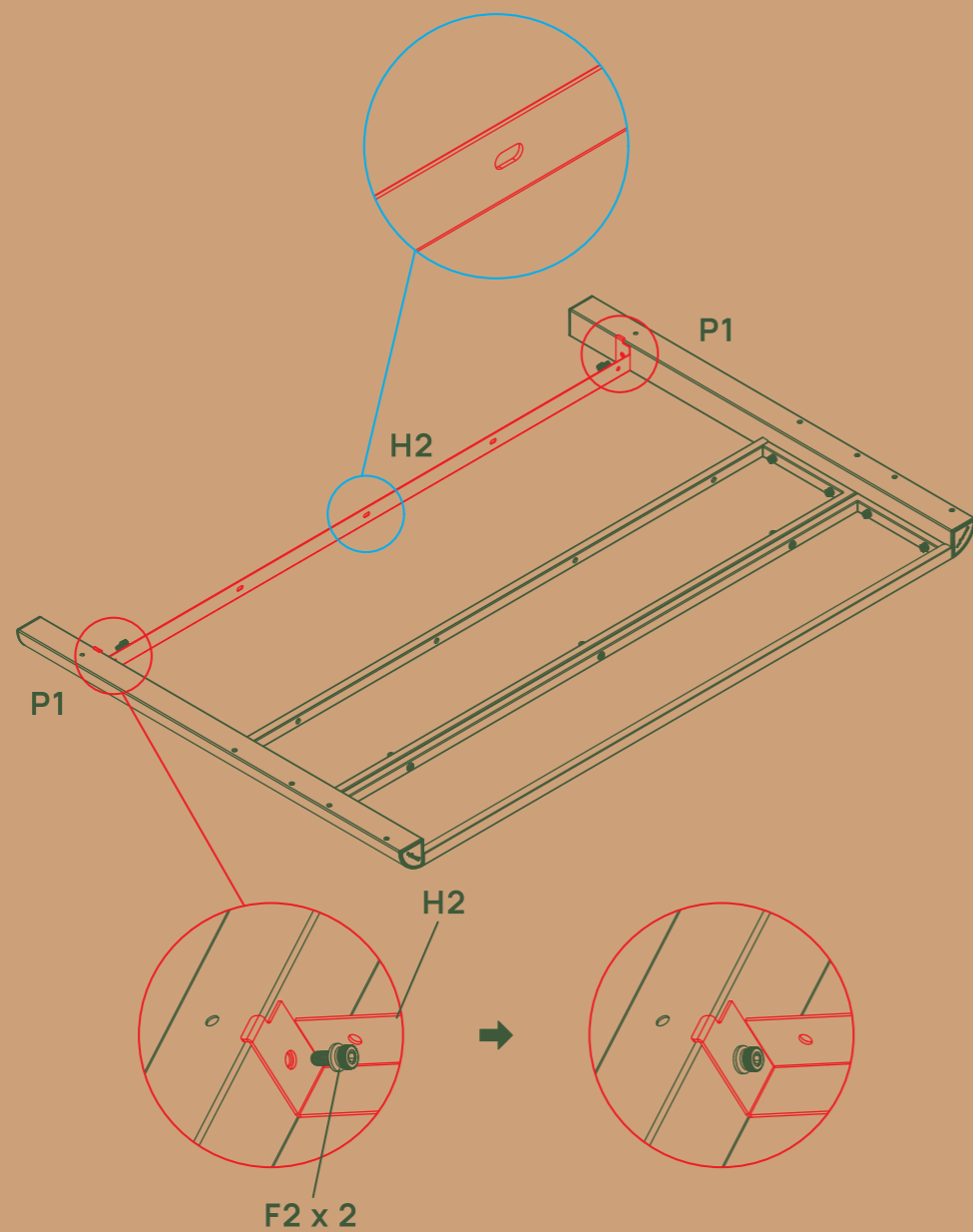


- 3** Use the T1 wrench and F1 bolts to attach two P1 legs to the P3 panels.
Note: Do not tighten the bolts fully to allow for easier final assembly.

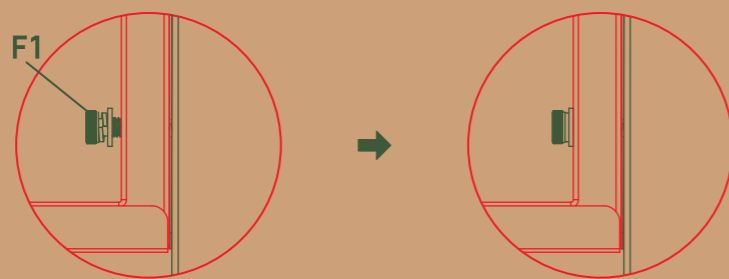


- 4 Use the T1 wrench and F2 bolts to attach H2 between P1 legs, and tighten them.

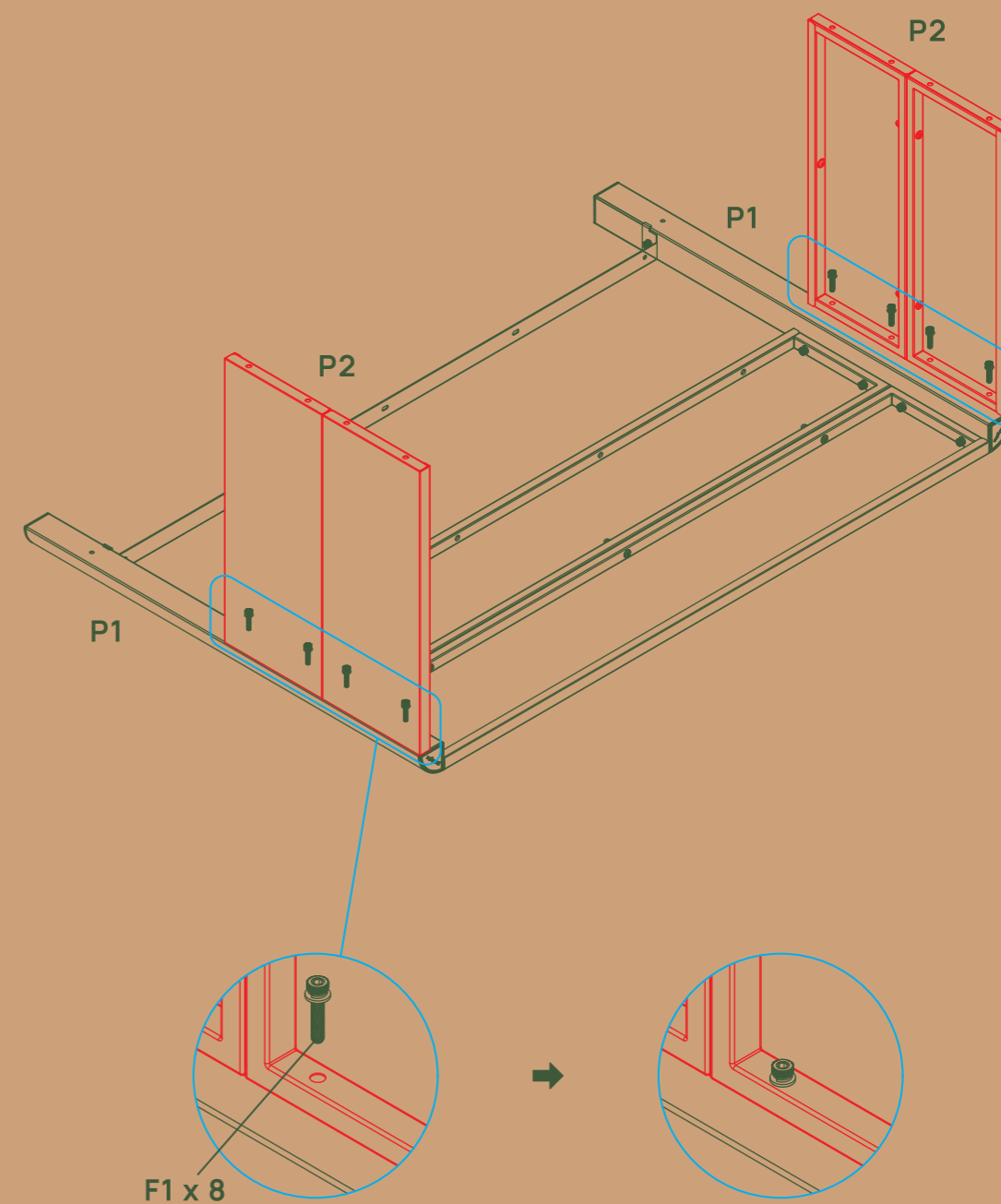
Note: Make sure the side of H2 with holes faces the top of the bed.



After completing this step, tighten all F1 bolts from previous steps.

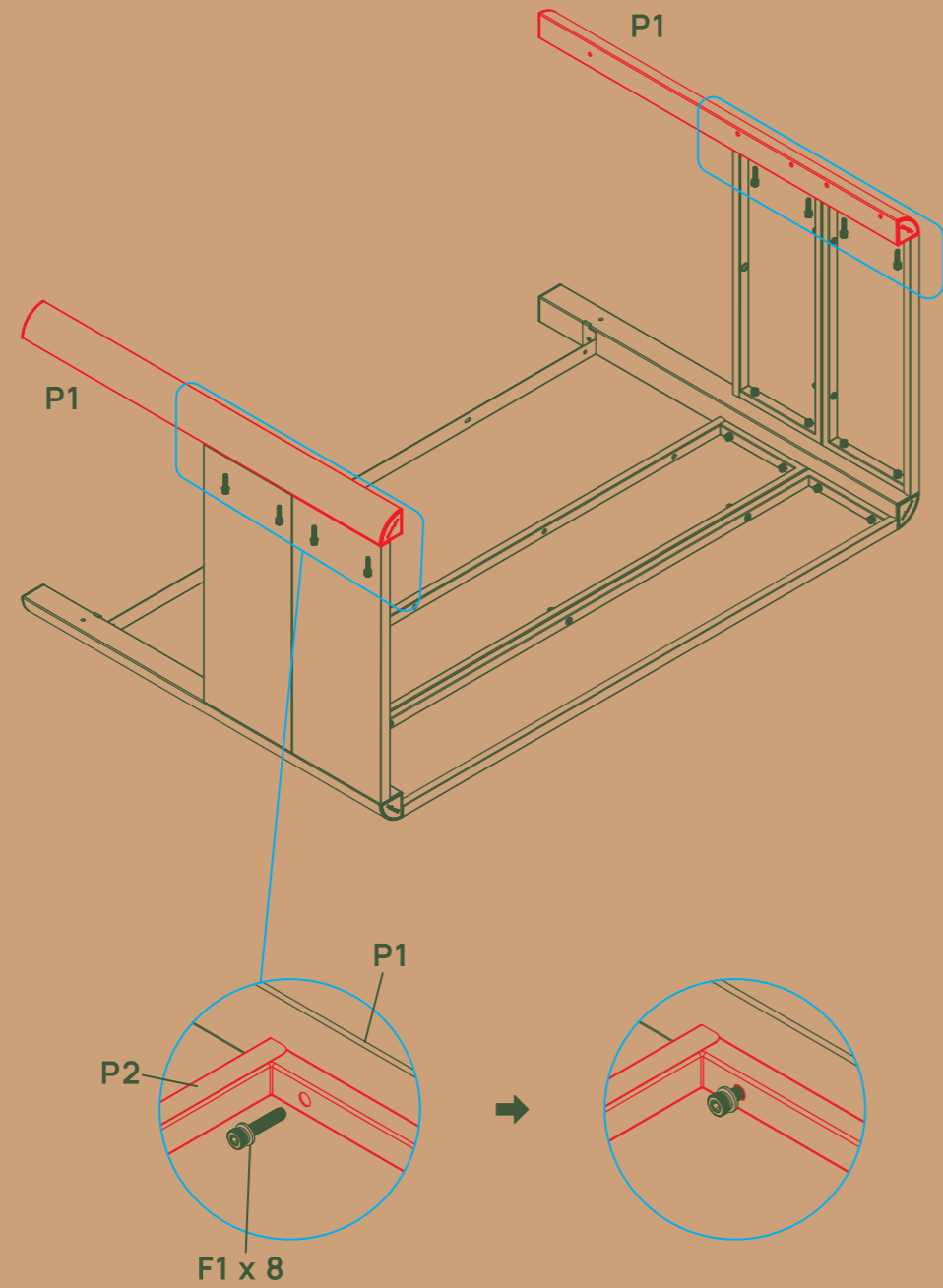


- 5 Use the T1 wrench and F1 bolts to attach two P2 panels to the P1 legs, and tighten them.

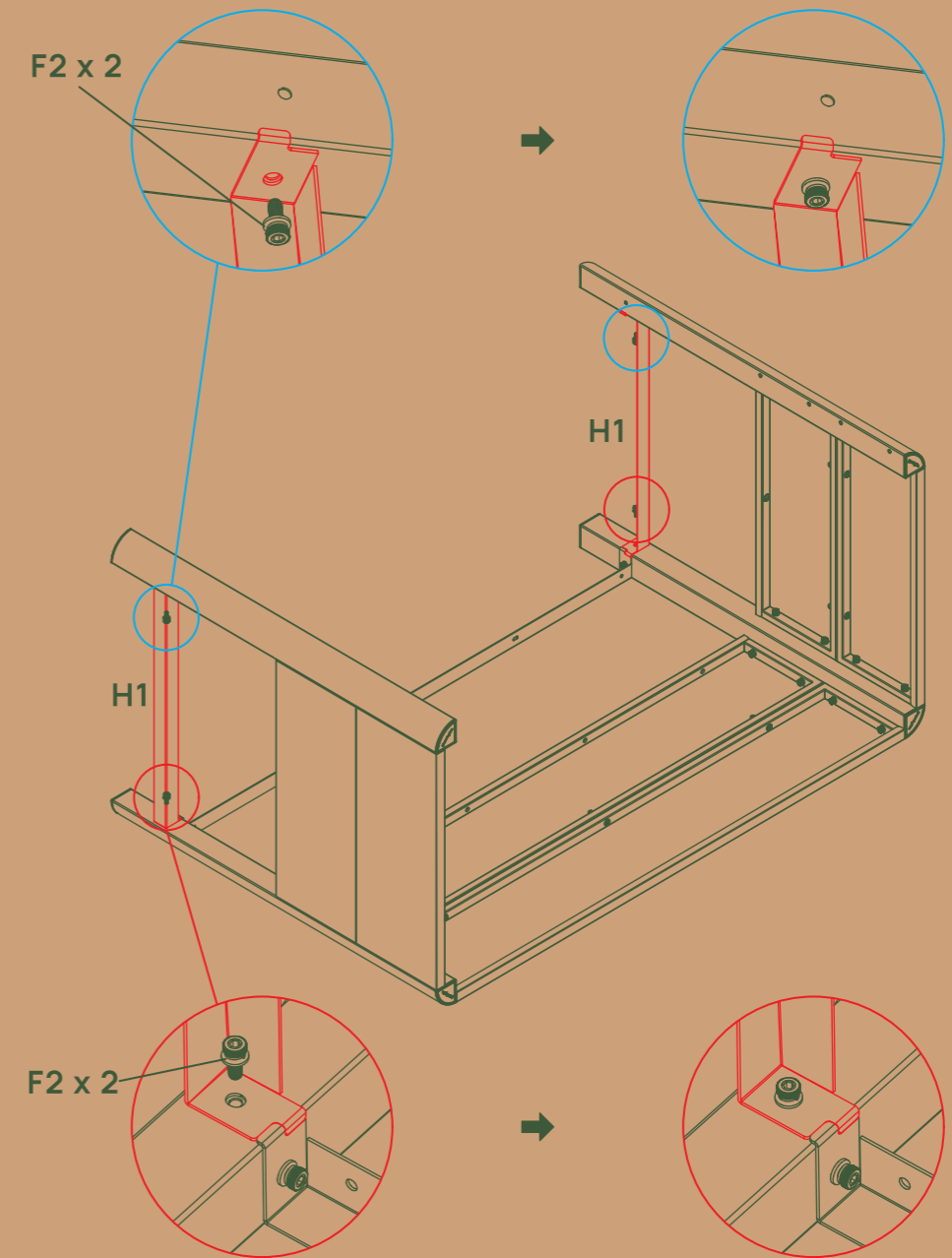


6 Use the T1 wrench and F1 bolts to attach two P1 legs to the P2 panels.

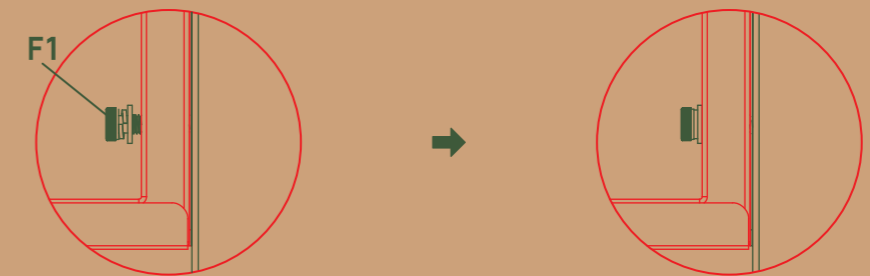
Note: Do not tighten the bolts fully to allow for easier final assembly.



7 Use the T1 wrench and F2 bolts to attach two H1s between the P1 legs and tighten.

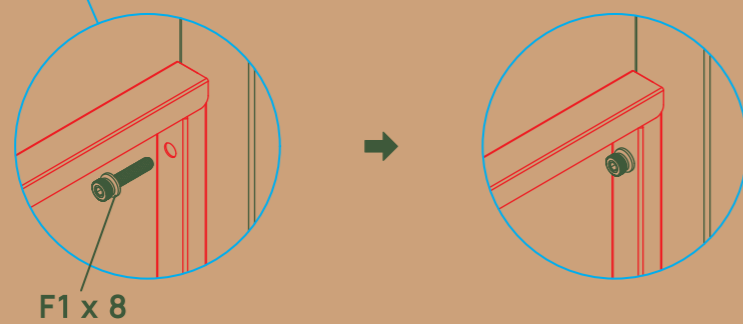
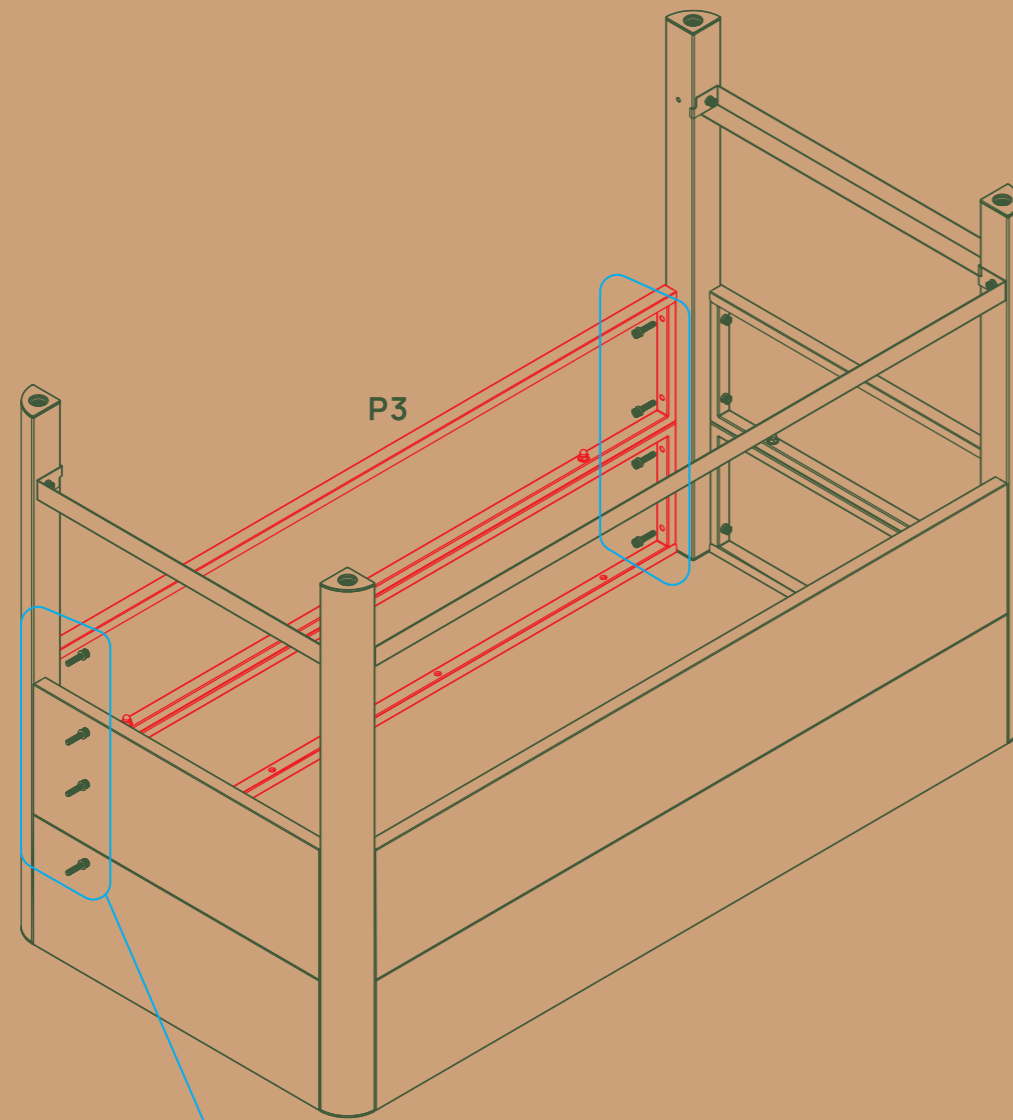


After completing this step, tighten all F1 bolts from previous step.



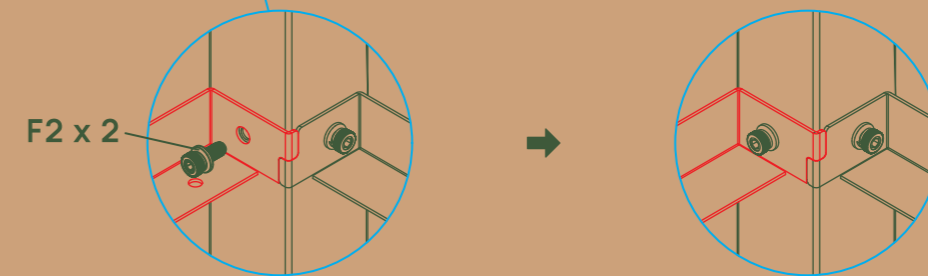
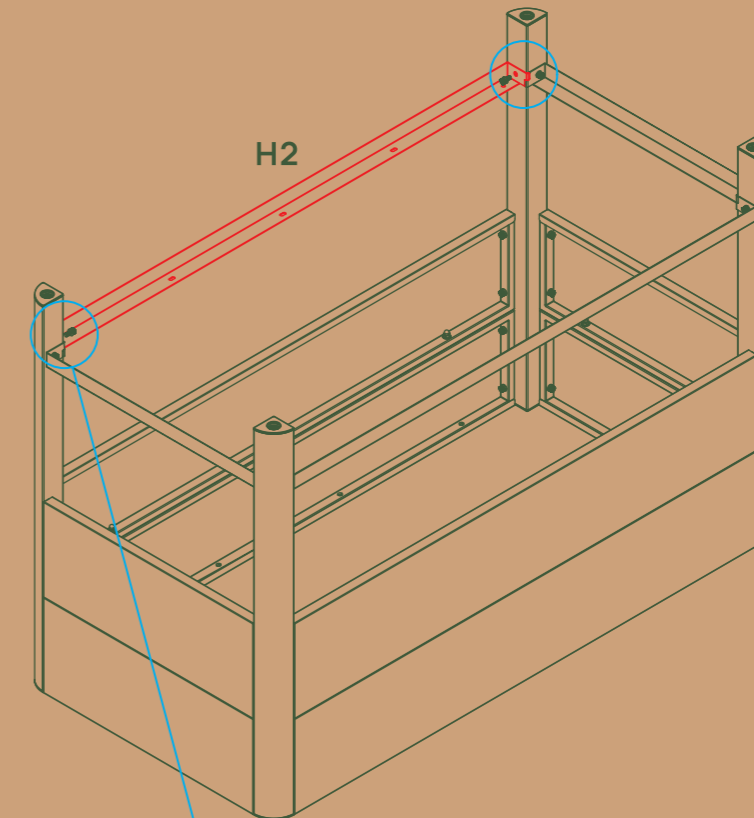
- 8** Position the garden bed upside-down. Use the T1 wrench and F1 bolts to attach the P3 panel between the remaining legs.

Note: Do not tighten the bolts fully to allow for easier final assembly.

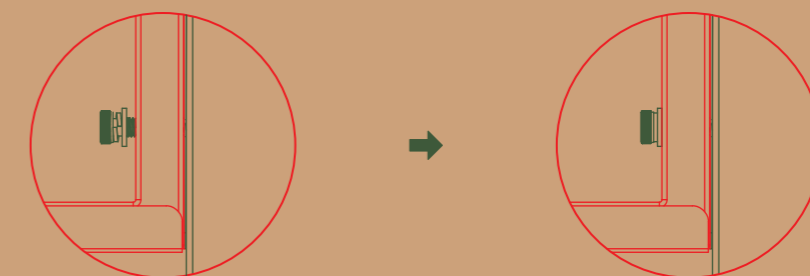


- 9** Use the T1 wrench and F2 bolts to attach H2 between the P1 legs and tighten.

Note: Make sure the side of H2 with holes faces the top of the bed.



After completing this step, tighten all bolts.

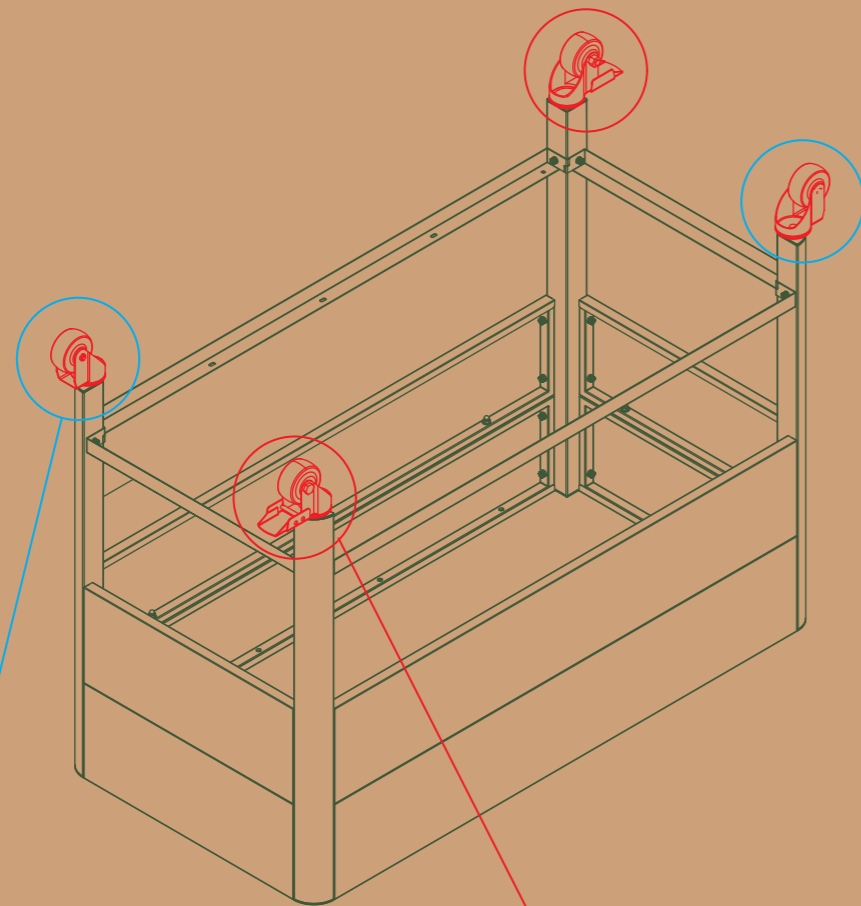


Caster Guide

If you purchased the Woodgrain Elevated Garden Bed with casters, please follow the steps below to install them. If not, you can skip this step.

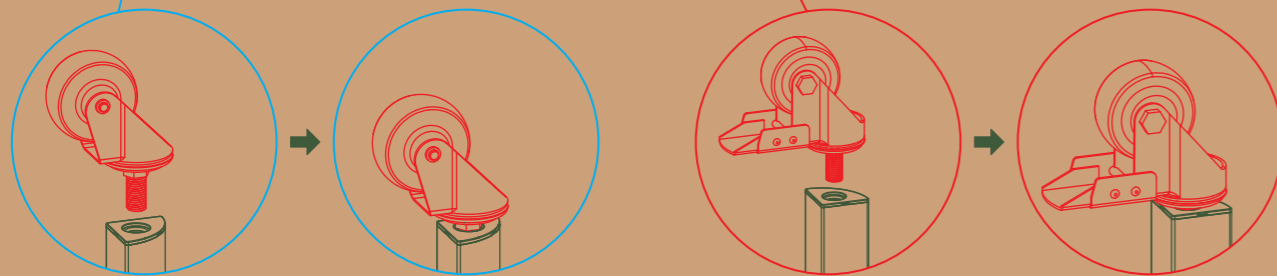
Hand-tighten the casters' bolts into the holes on the bottom of the legs until they can no longer turn.

Note: Make sure both locking casters are installed diagonally from each other.



Non-Locking Casters

Locking Casters



Important Caster Note

For optimal use, safety, and to prolong the lifespan of the casters please adhere to the follow guidelines:

- Always engage the casters' brakes when the garden bed is stationary to prevent unintended movement.
- Avoid depressions or grooves deeper than 0.4 inches, as they may cause the casters to become unstable.
- Remove any small stones, debris, or obstacles that could hinder movement or damage the casters over time.
- Use only on the suitable surfaces listed below:

Suitable Surfaces

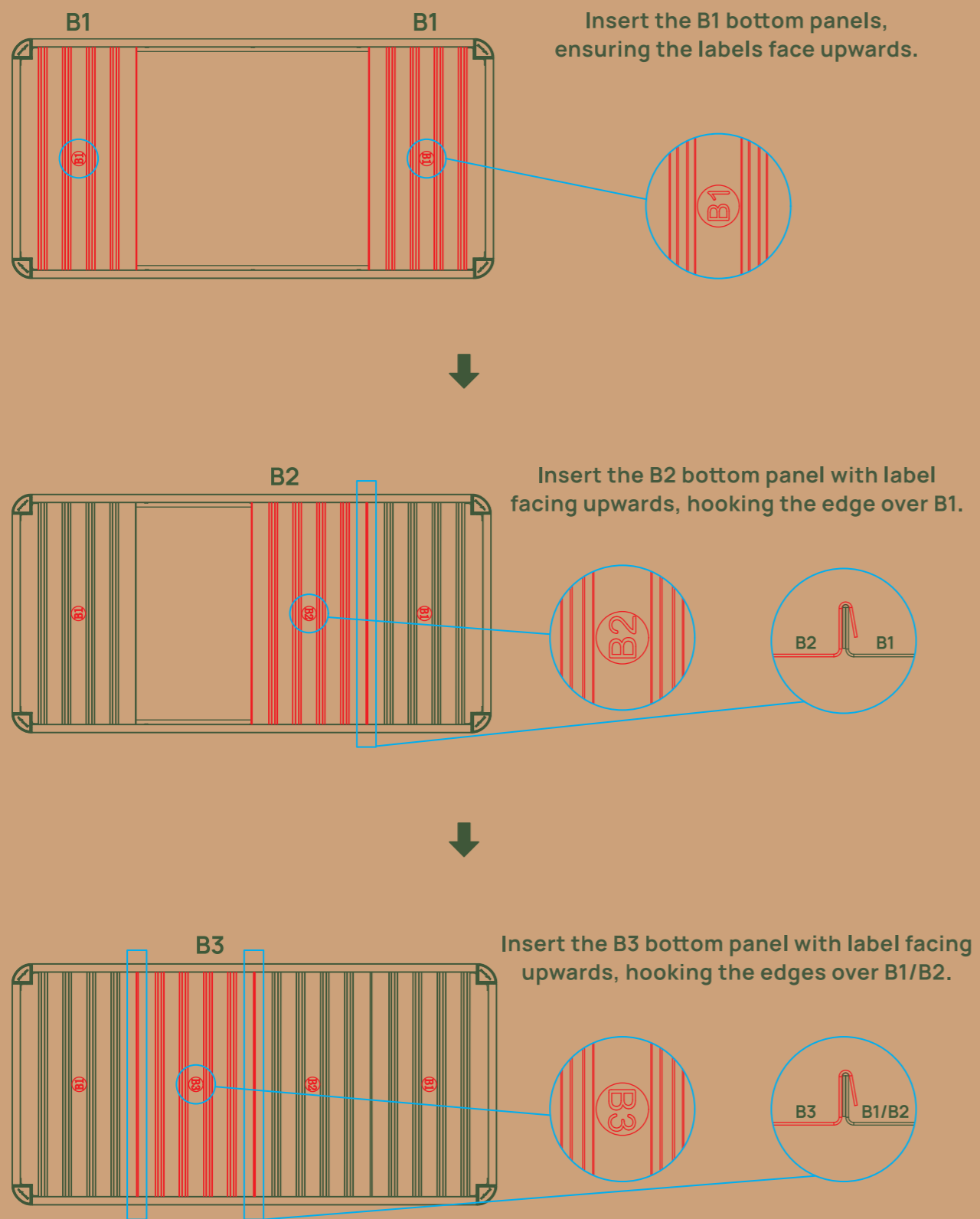
- Flat, stable surfaces
- Concrete
- Wooden & composite decks
- Pavers & tile

Unsuitable Surfaces

- Slopes or inclines
- Soft ground such as grass, soil, or sand
- Uneven gravel or rocky areas

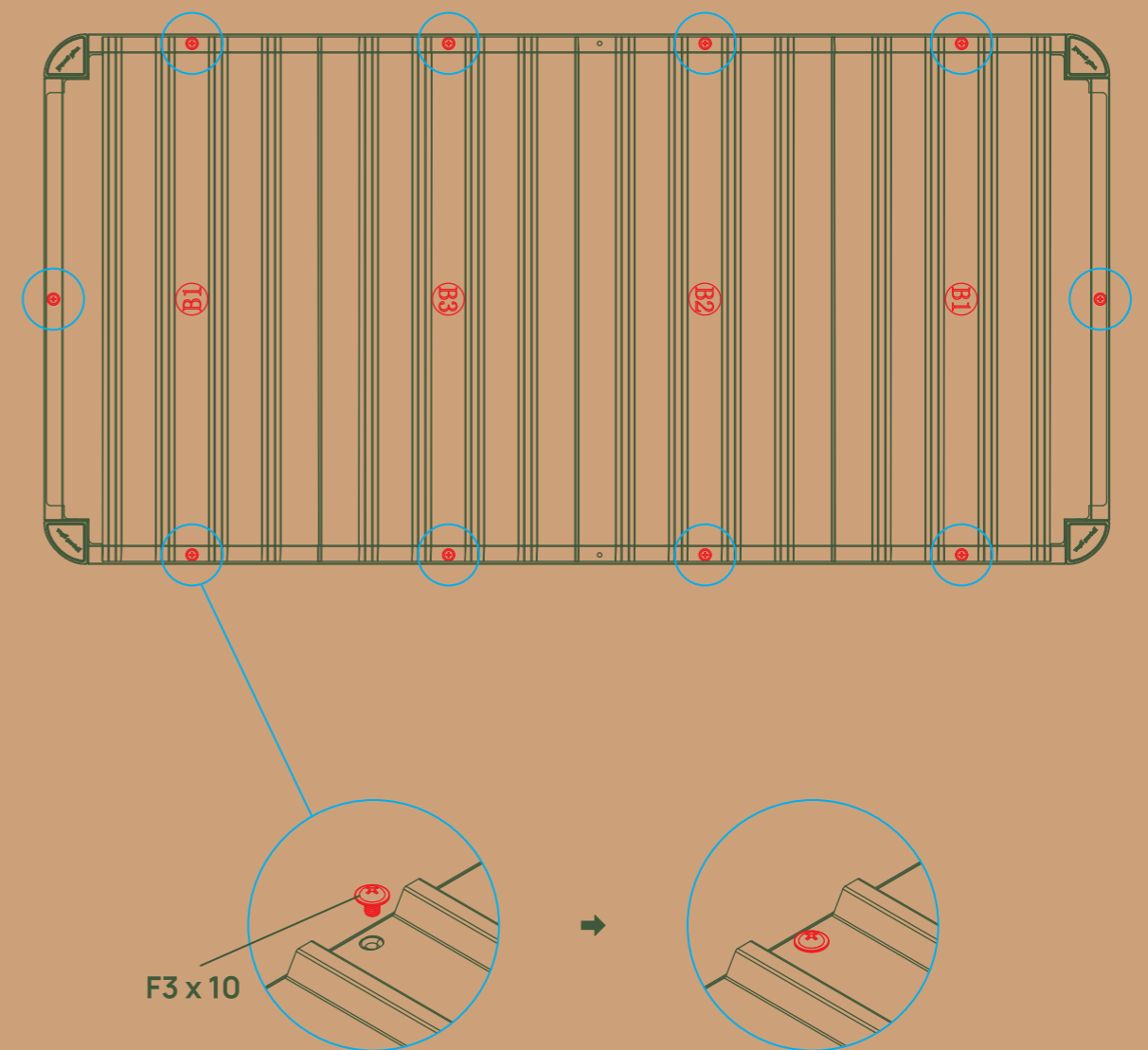
10 Install the TerraFlow Floor

Insert one edge of the panel at an angle into the bottom, then lay the panel flat.



11 Use a phillips screwdriver and F3 bolts to secure the TerraFlow Floor in place.

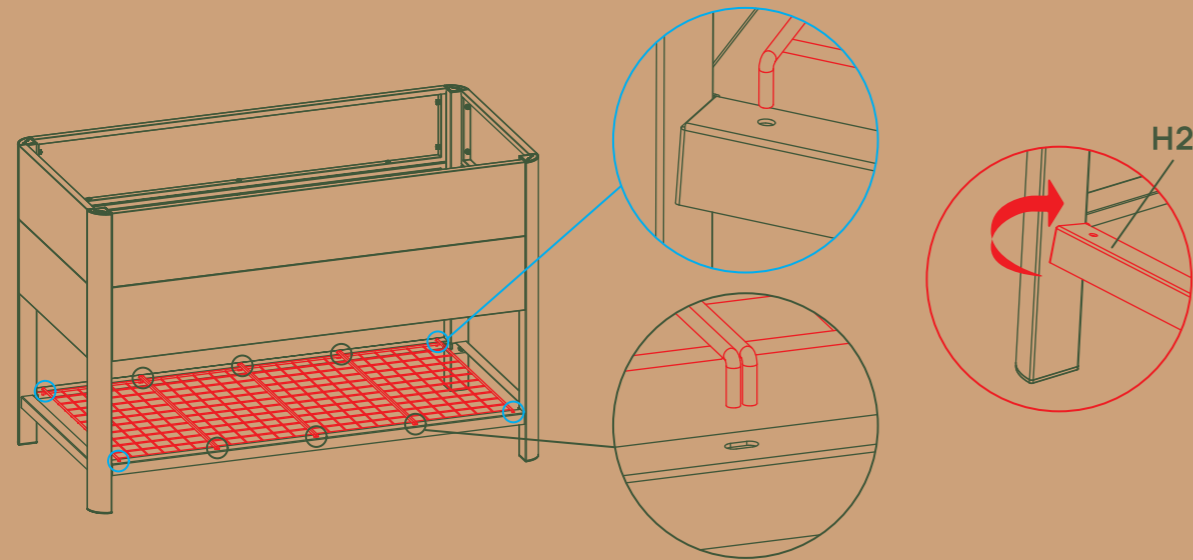
Note: To make installation easier, first thread all F3 bolts 2-3 turns, then fully tighten.



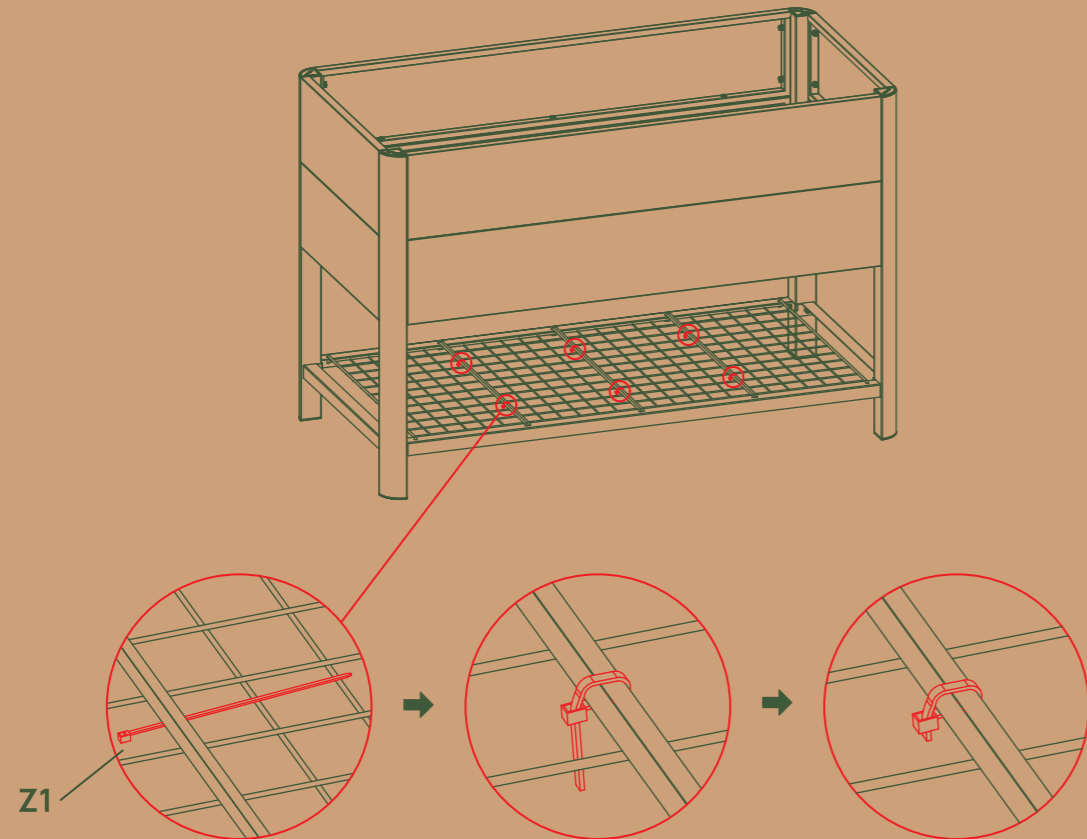
12 Add Storage Rack

Insert the metal rack into the holes on H2.

Note: If the holes are misaligned, gently rotate H4 and try again.



13 Use the Z1 cable ties to secure the rack pieces to each other as shown.



14 Remove the plastic film from the back of the aluminum logo and apply it to garden bed.

