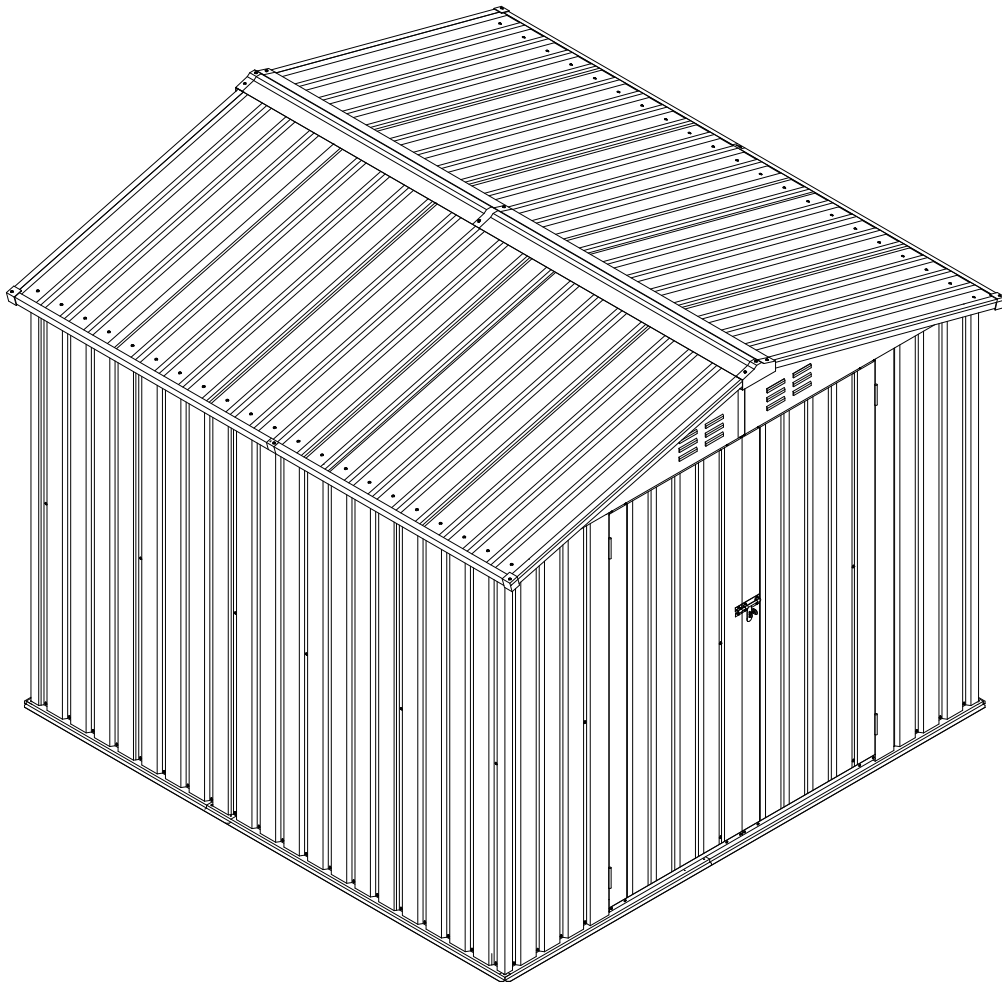


ASSEMBLY INSTRUCTIONS

METAL GARDEN SHED

8x8 FT



EASYHAWKservice@outlook.com

Our team is available 24/7 to help with any product questions. Contact us anytime!

Recommended to wear gloves to avoid scratches.
Please read the instructions COMPLETELY before assembly.

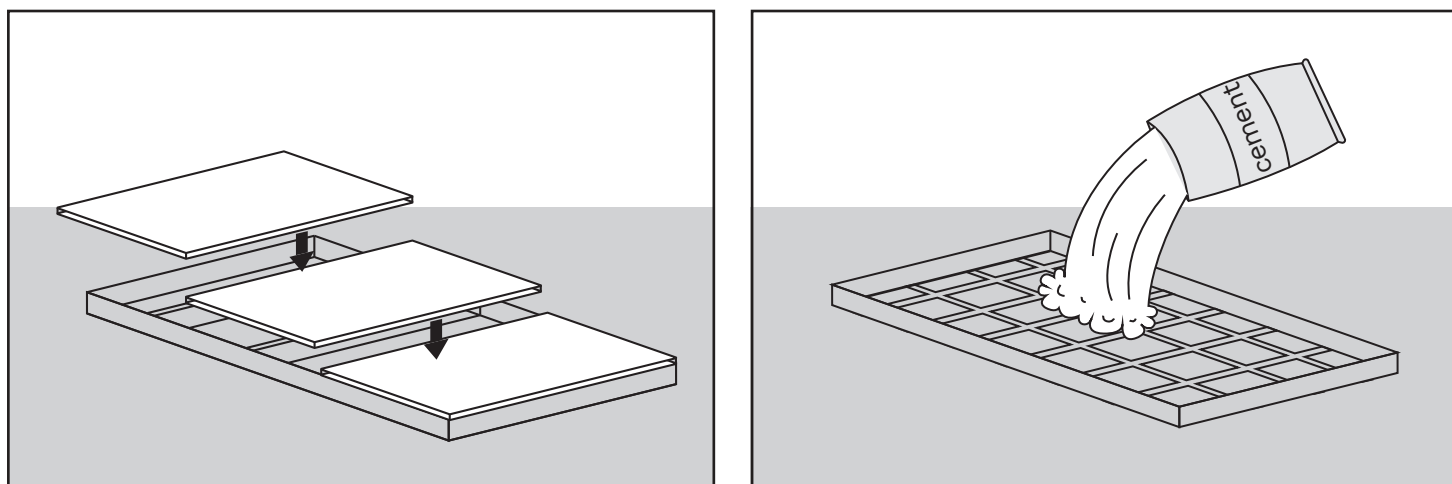
After opening the package, if you notice a slight deformation in the wall panels, there's no need for concern. Our material is flexible and can be manually bent back into place.

SITE PREPARATION

Level the ground surface.



Recommendation: Construct a wooden or concrete base as a foundation.



BEFORE STARTING ASSEMBLY

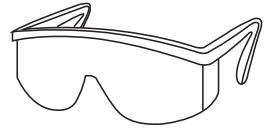
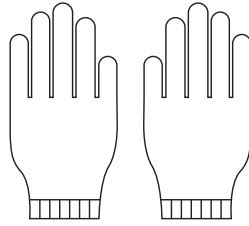
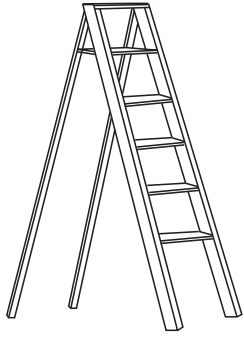
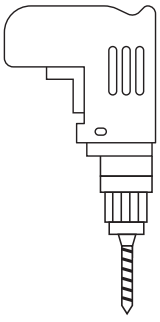
Remove all of the pieces from the package and spread them out on the ground. Before installation, please check the type and quantity of parts first.

It is recommended to use a clean work surface to spread the parts out and for pre-assembly steps. Review all instructions before you begin, continue to refer to instructions during assembly.

Be sure to follow all steps thoroughly.

Please prepare these components in advance at the beginning of each stage.

REQUIRED TOOLS



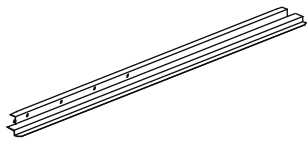
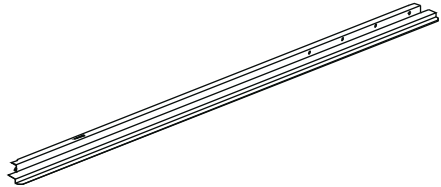
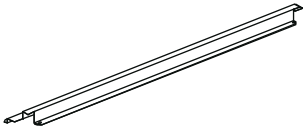
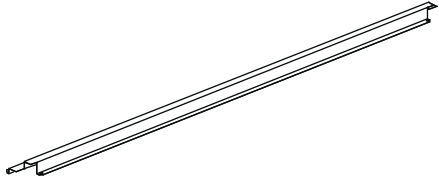
CAUTION

Some parts have steel edges. Please be careful when handling components. Always wear work gloves, eye protection and long sleeves when assembling or performing any maintenance on your shed. Do not attempt assembly on days with strong winds or low temperatures.

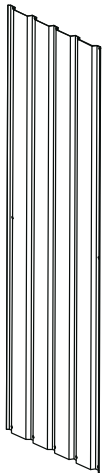
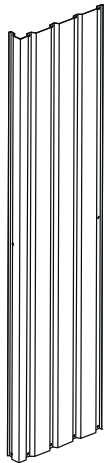
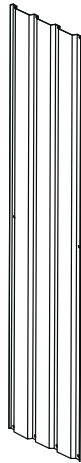







Requires two people and takes 2-3 hours for Installation.
Recommended to wear gloves to avoid scratches.
Please read the manual carefully before installation.


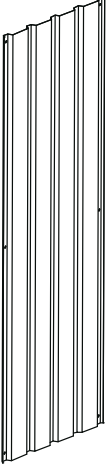
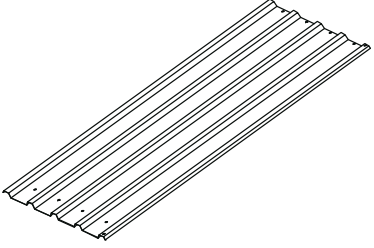
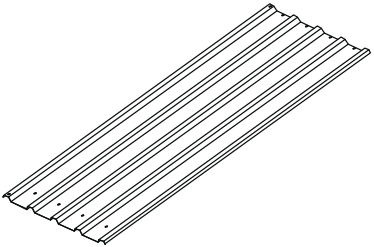
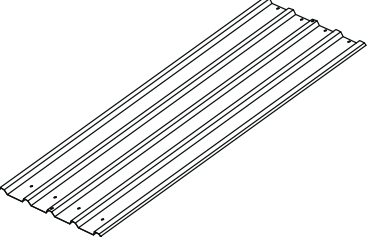
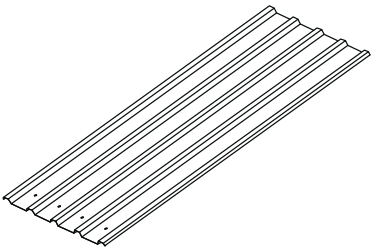
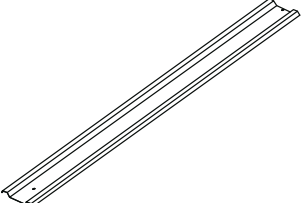
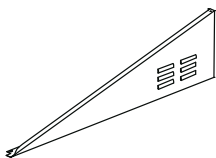
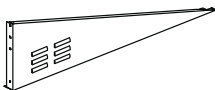
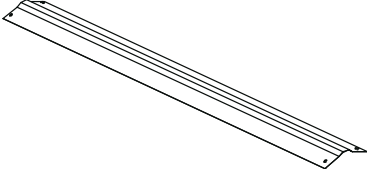
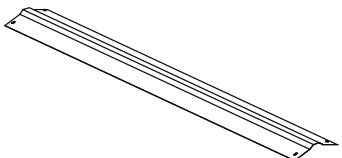
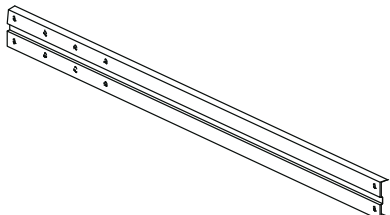
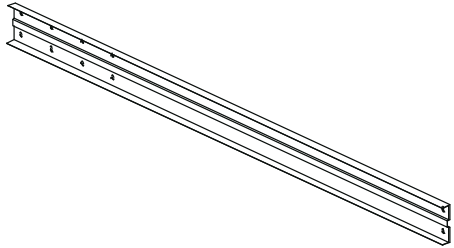
FOUNDATION

| | |
|--|--|
| <p>BE1S X1</p>  | <p>BE2S X1</p>  |
| <p>BE3S X3</p>  | <p>BE8S X3</p>  |

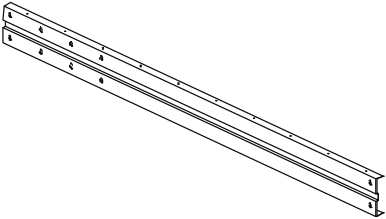
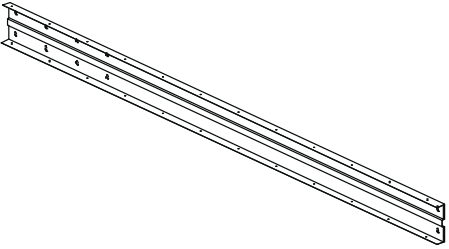
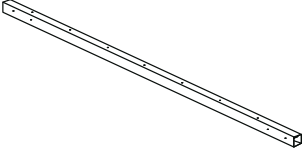
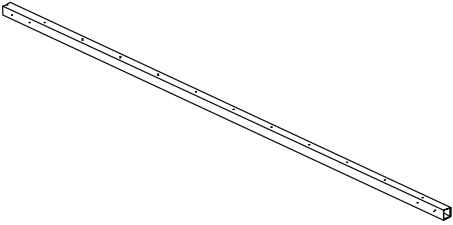
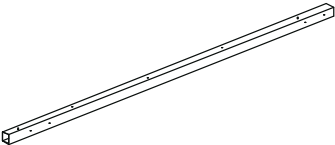
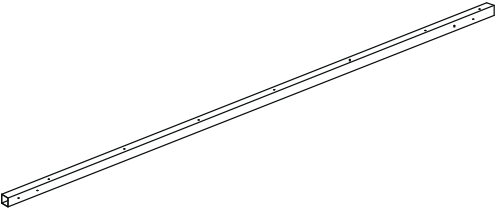
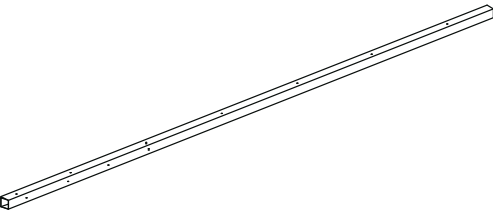
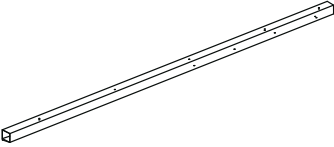
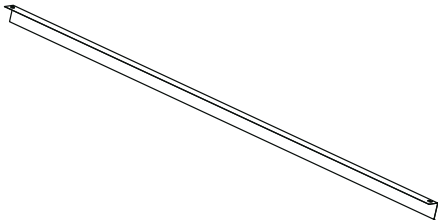
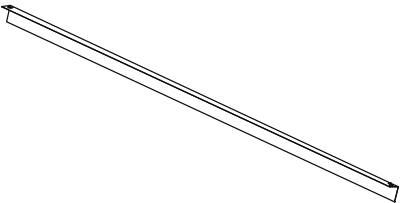
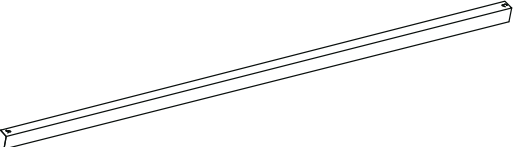


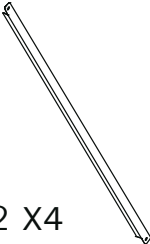

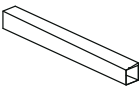
PLATES

| | | | |
|---|---|---|---|
| <p>W1A X11</p>  | <p>WS2A X4</p>  | <p>W5A X2</p>  | <p>W3A X1</p>  |
| <p>UL3 X1</p>  | <p>DRB X1</p>  | <p>DLB X1</p>  | <p>DLA X2</p>  |

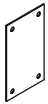
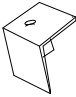
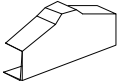

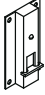
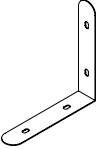
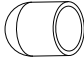
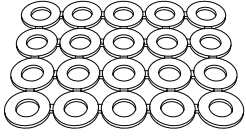

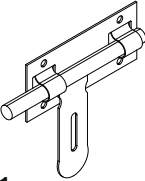

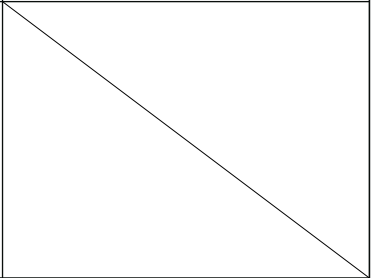
PLATES

| | | | |
|---|--|---|--|
|  <p>UR3 X1</p> |  <p>DD1 X2</p> |  <p>PE5S X2</p>  <p>PE6S X2</p> | |
|  <p>PE3S X2</p> | |  <p>PE4S X4</p> | |
|  <p>PE9S X2</p> |  <p>A3S X2</p> |  <p>A4S X2</p> | |
|  <p>16S X1</p> |  <p>19S X1</p> | | |
|  <p>M16SA X2</p> |  <p>M19SA X2</p> | | |











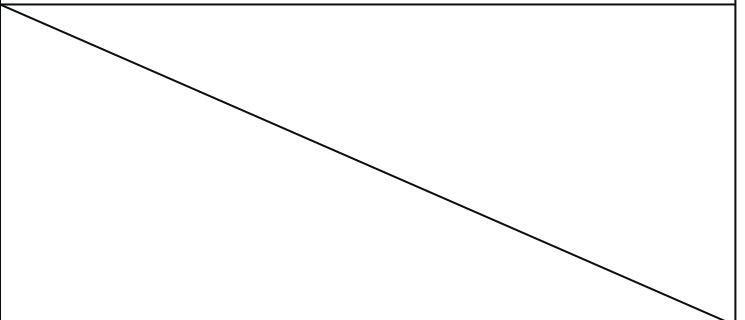
STRIPS

| | | | |
|--|--|--|---|
|  <p>M16S X2</p> |  <p>M19S X2</p> | | |
|  <p>UE5S X2</p> |  <p>UE6S X2</p> | | |
|  <p>UE3S X1</p> |  <p>UE4S X1</p> | | |
|  <p>UE1S X1</p> |  <p>UE2S X1</p> | | |
|  <p>L16S X2</p> |  <p>L17S X2</p> | | |
|  <p>L18S X2</p> |  <p>L19S X2</p> | | |
|  <p>20 X4</p> |  <p>DX2 X4</p> |  <p>C5 X4</p> |  <p>GR5 X4</p> |

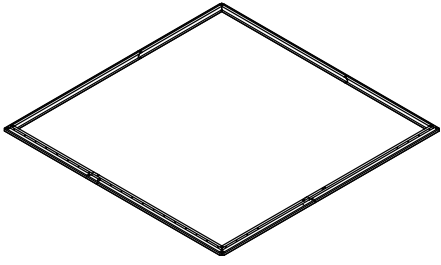
STANDARD

| | | | |
|--|--|--|--|
|  <p>T4 X2</p> |  <p>GC X4</p> |  <p>GE X2</p> |  <p>DJ X4</p> |
|  <p>DP X2</p> |  <p>C2 X4</p> |  <p>V1 X42</p> |  <p>V2 X300</p> |
|  <p>DN X1</p> |  <p>DK X1</p> |  <p>DM X1</p> |  |

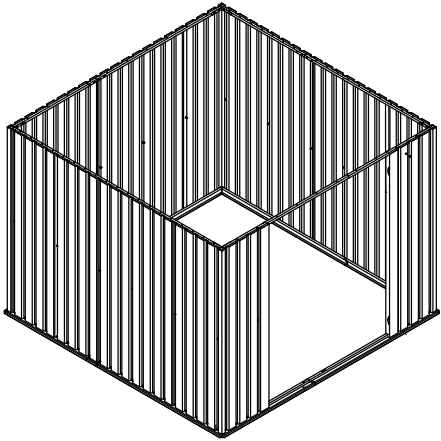
SCREW

| | |
|--|---|
|    <p>F1(X345) M4*10</p> |     <p>F2(X105) M4*10</p> |
|    <p>For GC F5(X4) M4*16</p> |  |

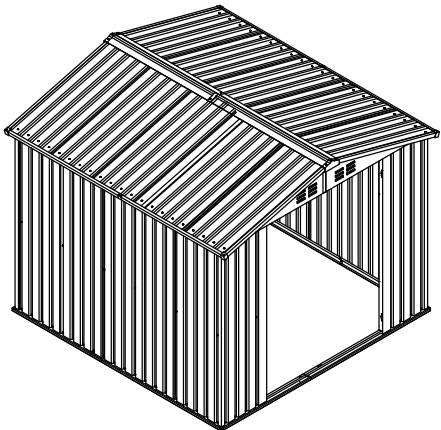
CONTENTS



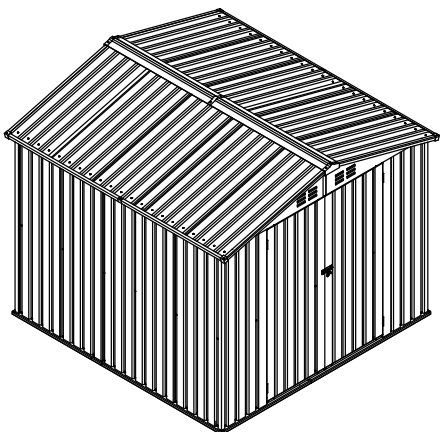
Bottom frame construction 09-10
(page)



Wall construction 11-19
(page)

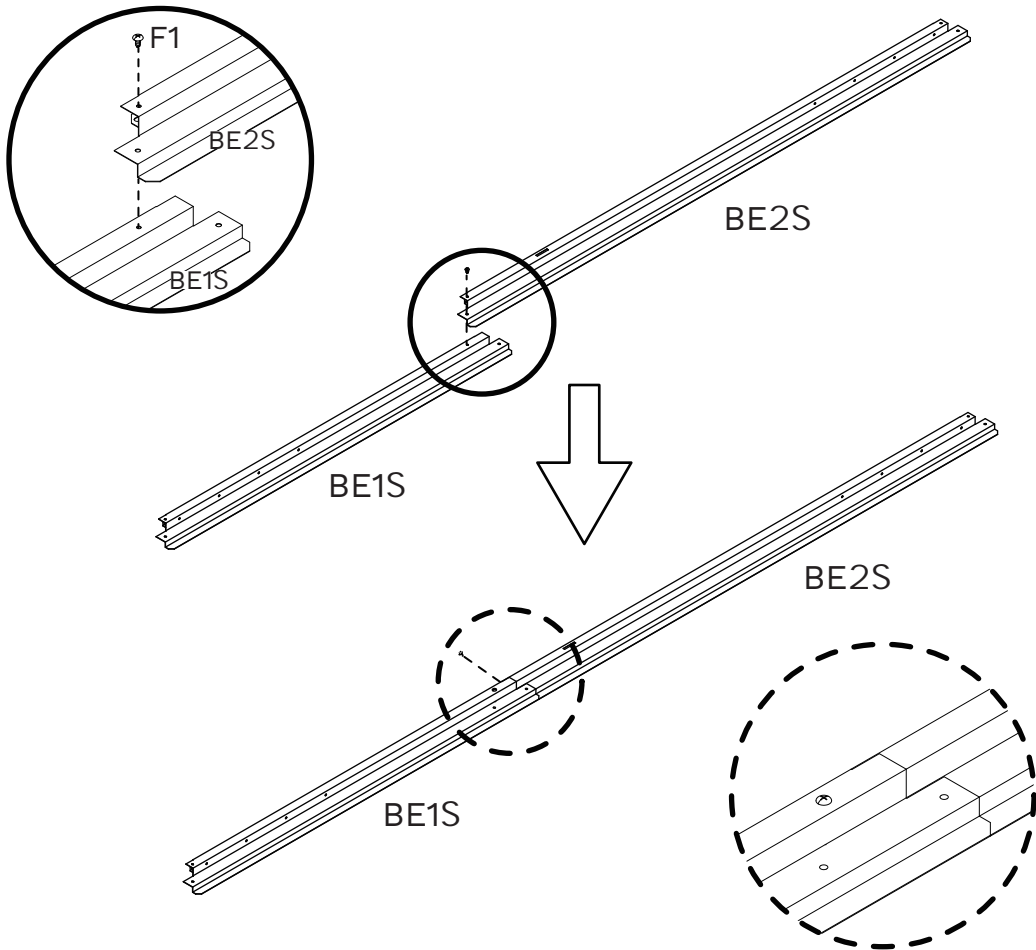


Roof Mount 20-31
(page)

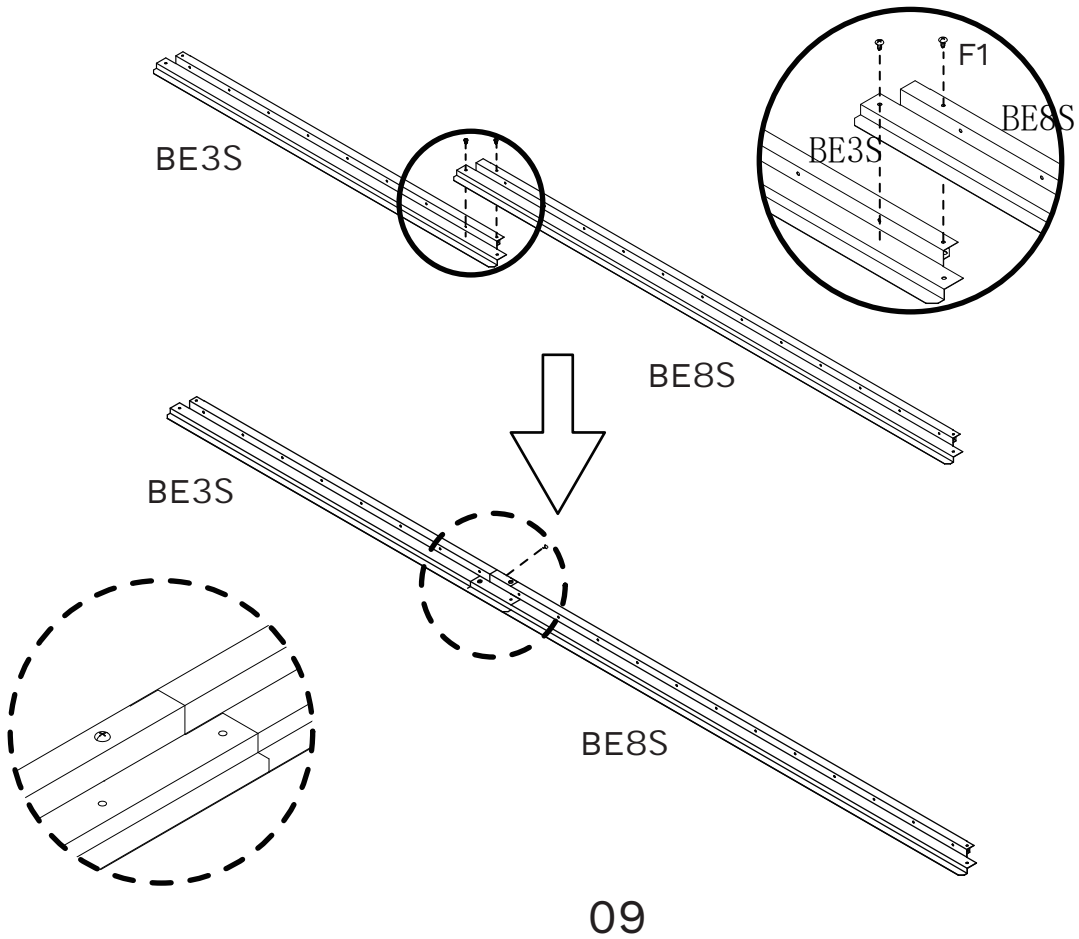


Door installation 31-35
(page)

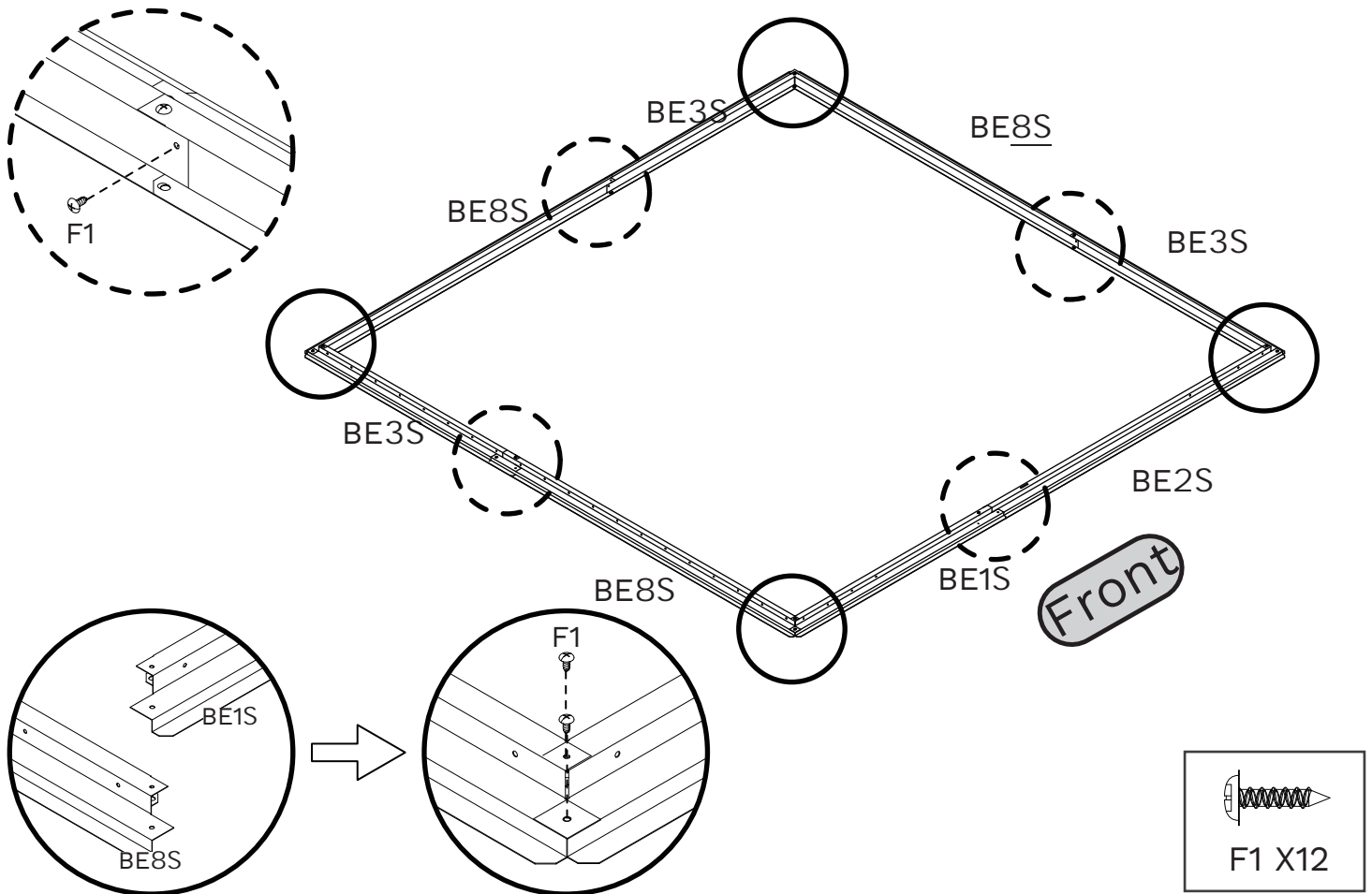
STEP 1



STEP 2

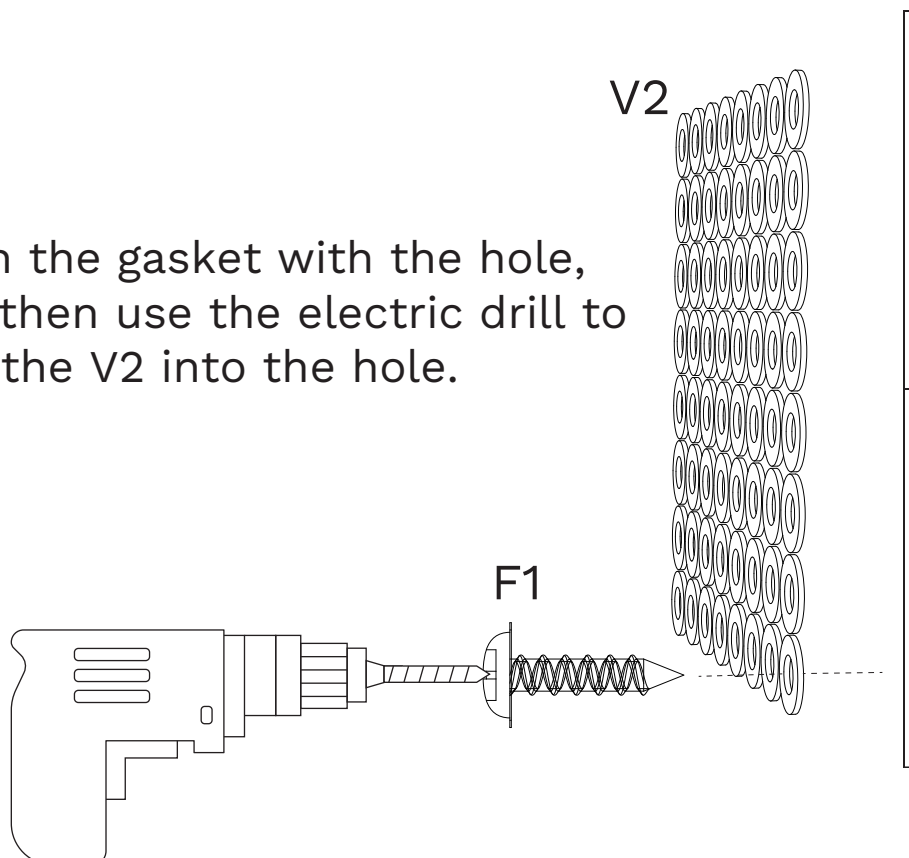


STEP 3



STEP 4

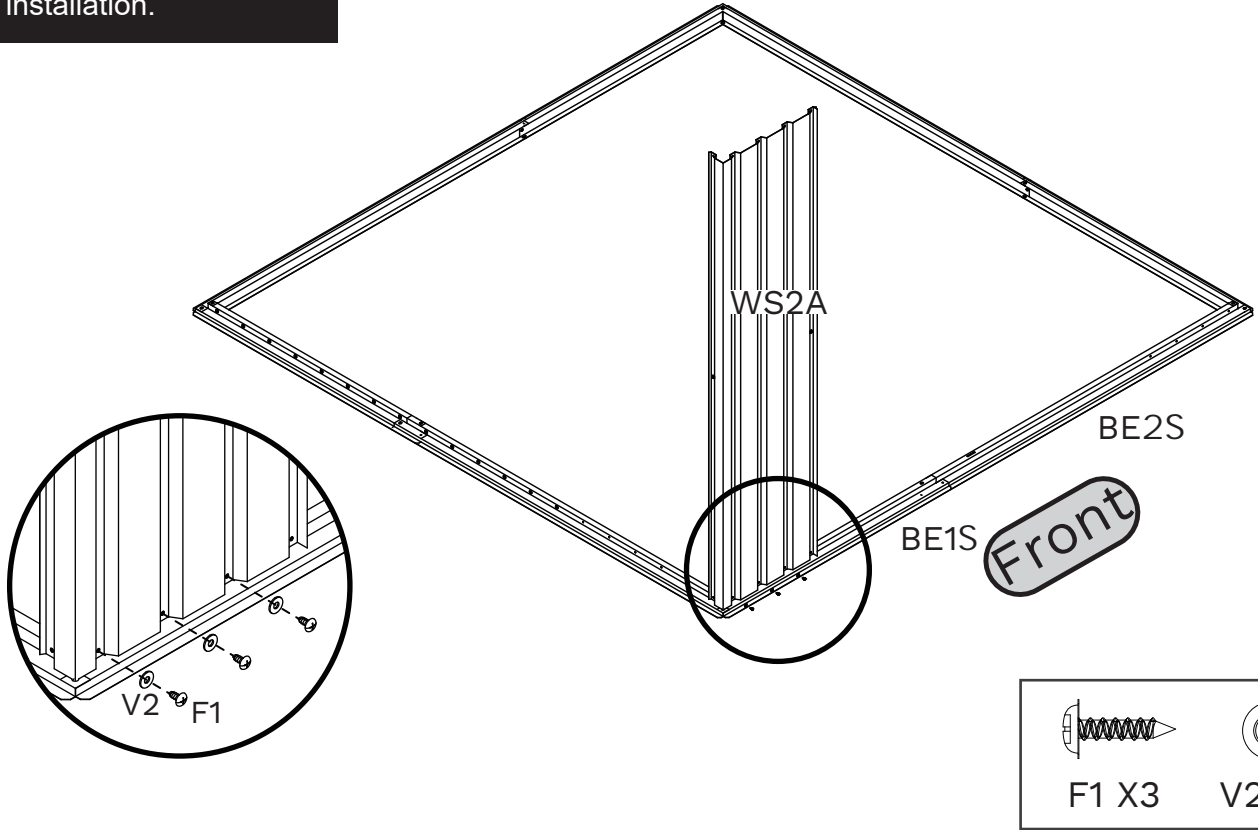
Tips: Align the gasket with the hole, and then use the electric drill to drill the V2 into the hole.



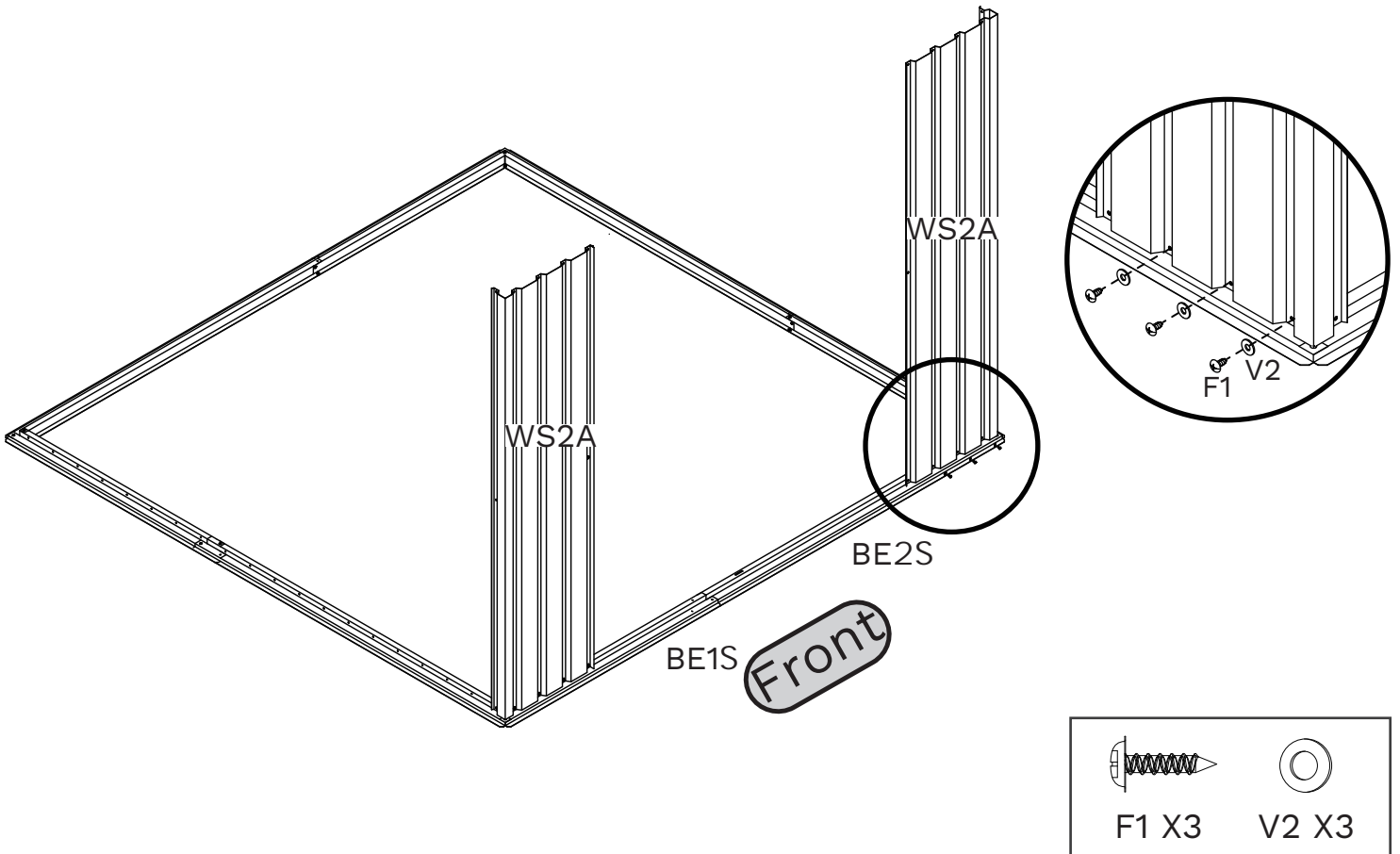
STEP 5



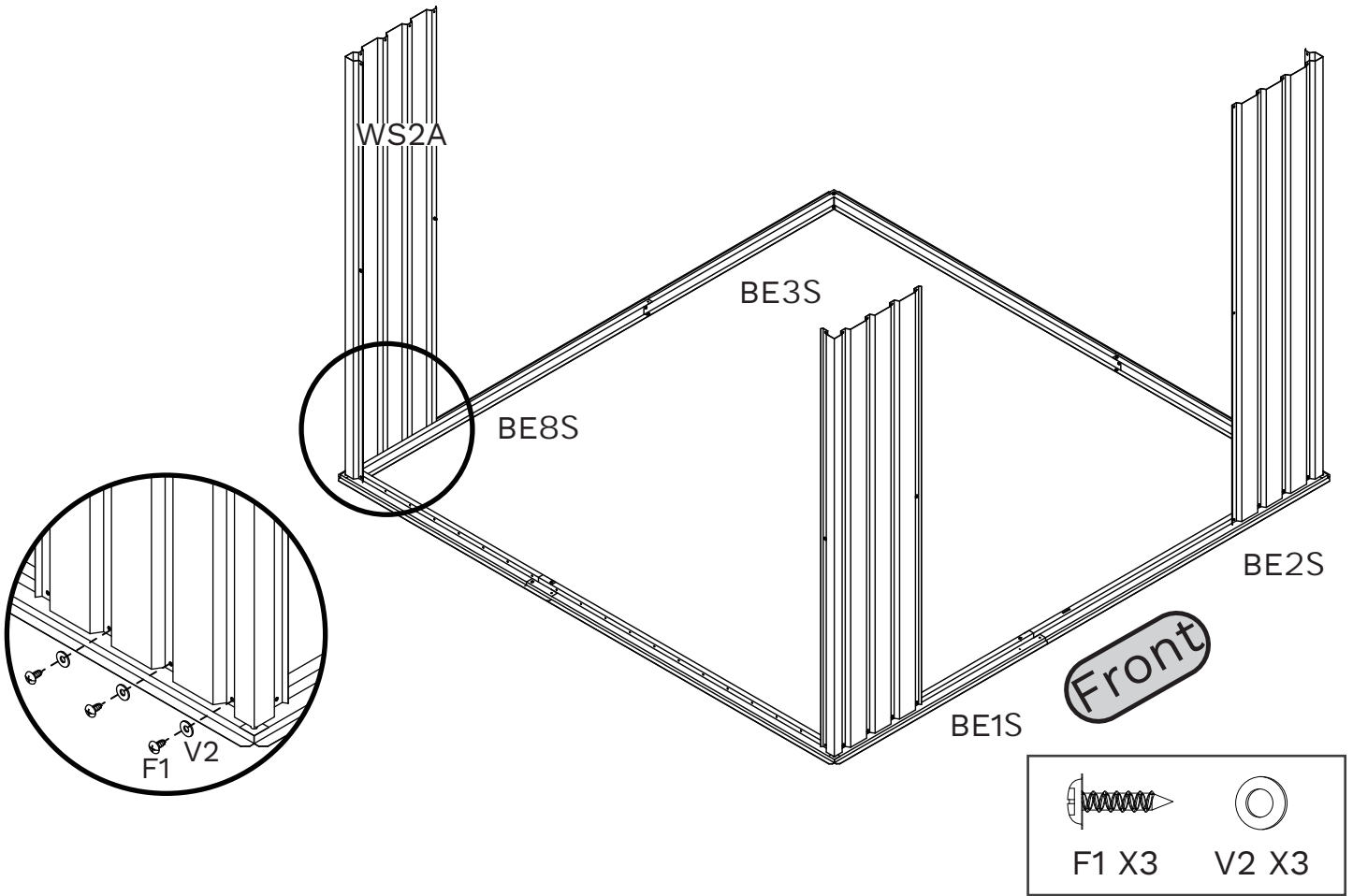
Please align the screws with the screw holes for installation.



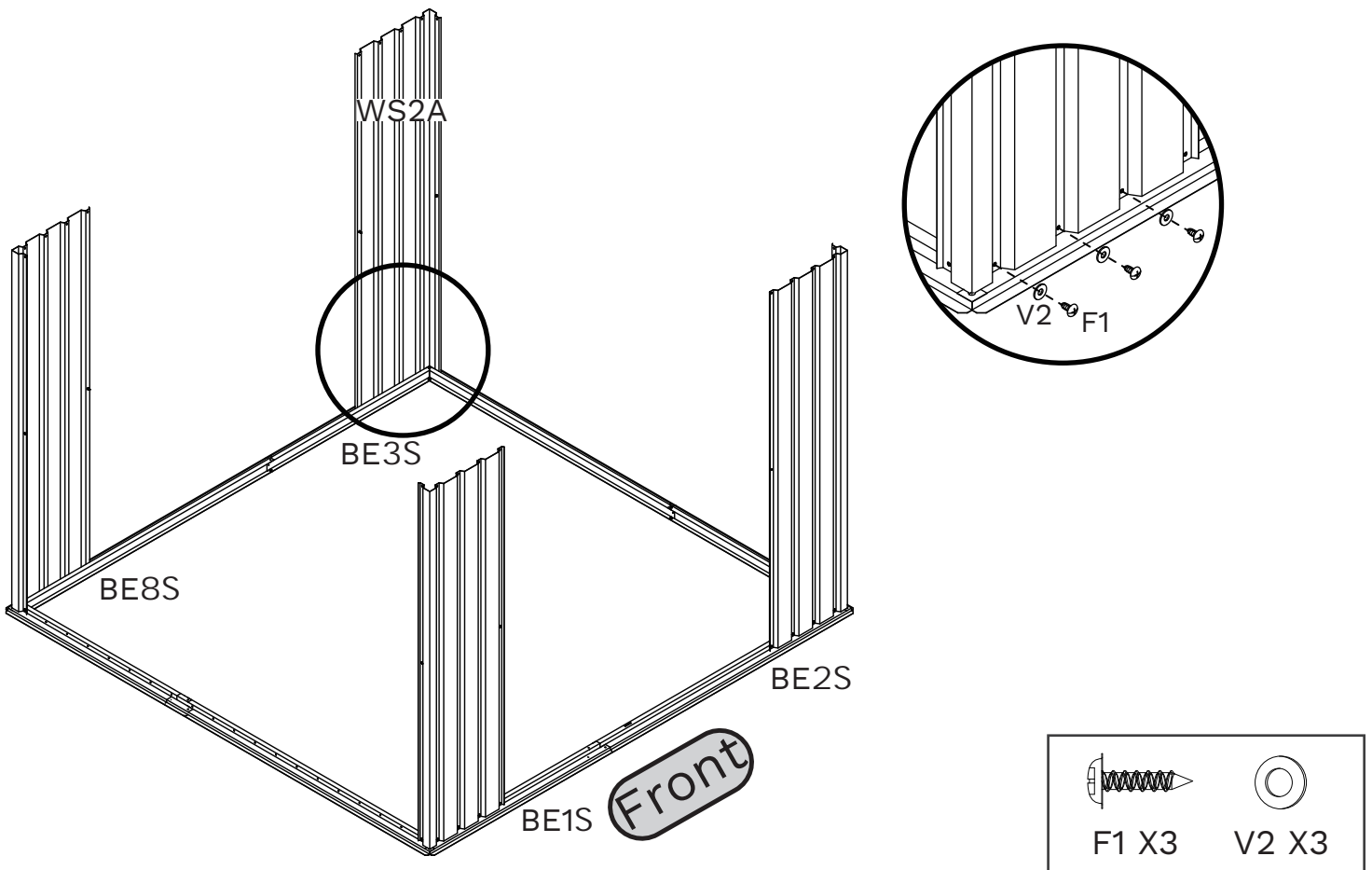
STEP 6



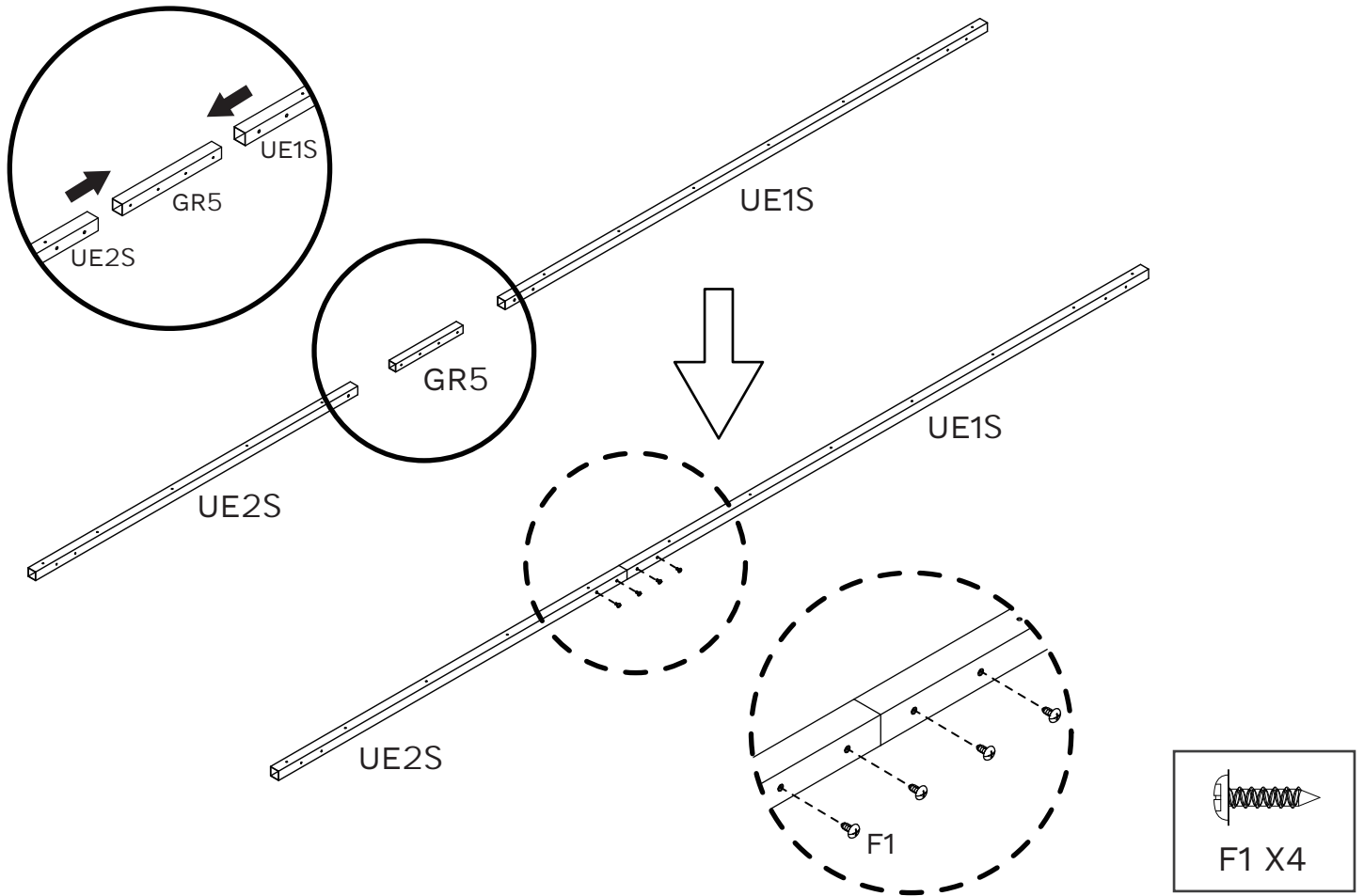
STEP 7



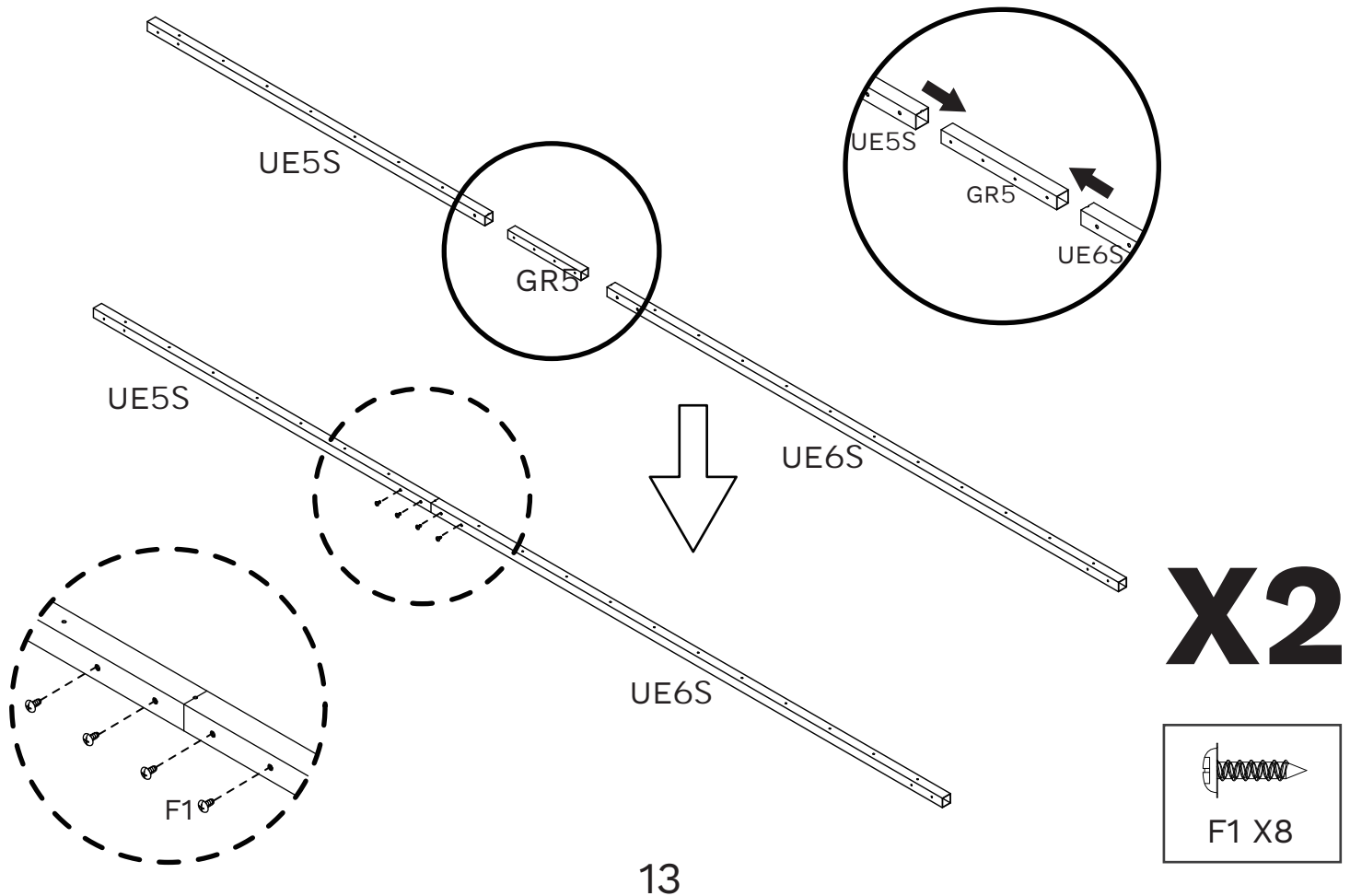
STEP 8



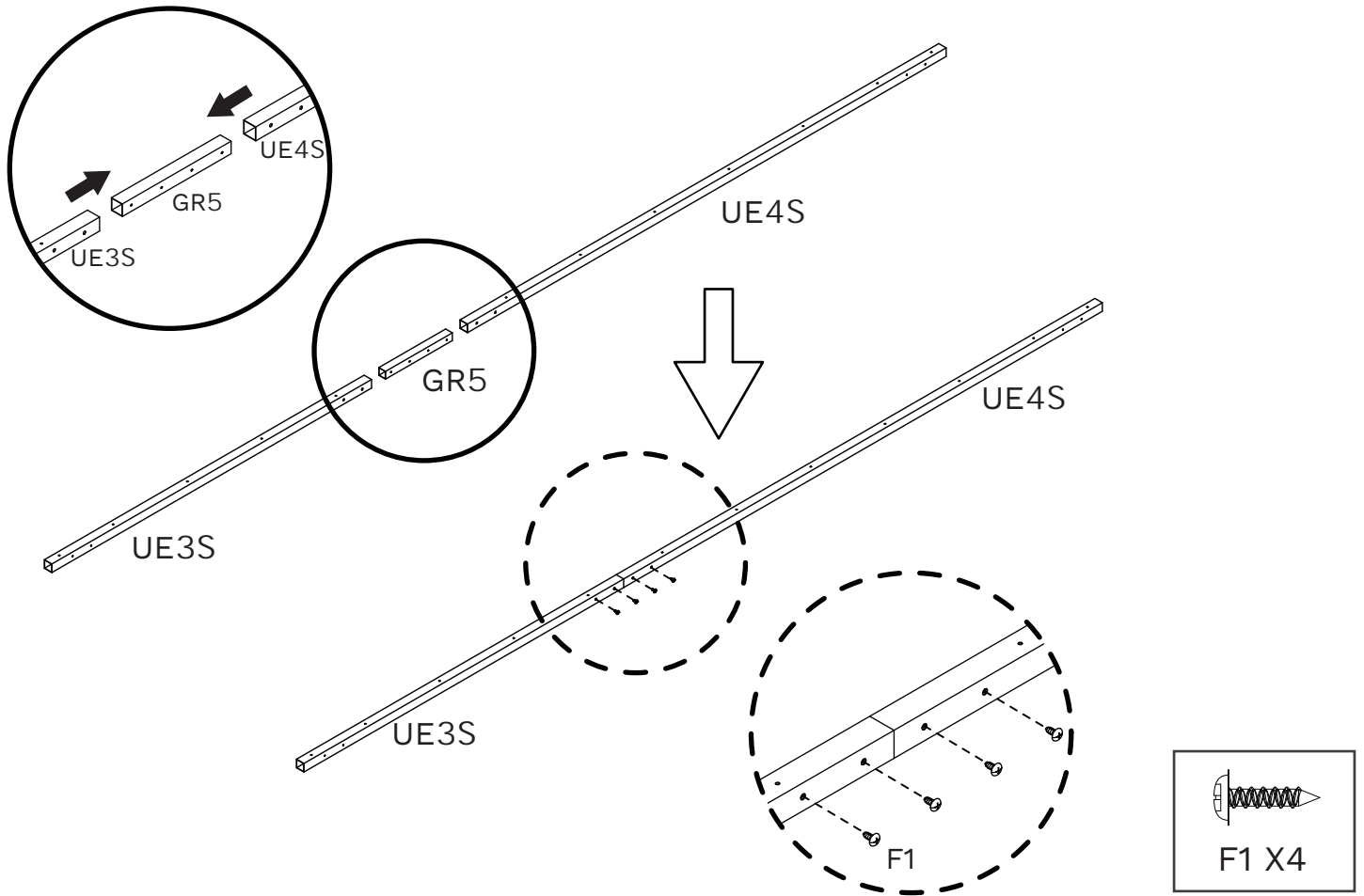
STEP 9



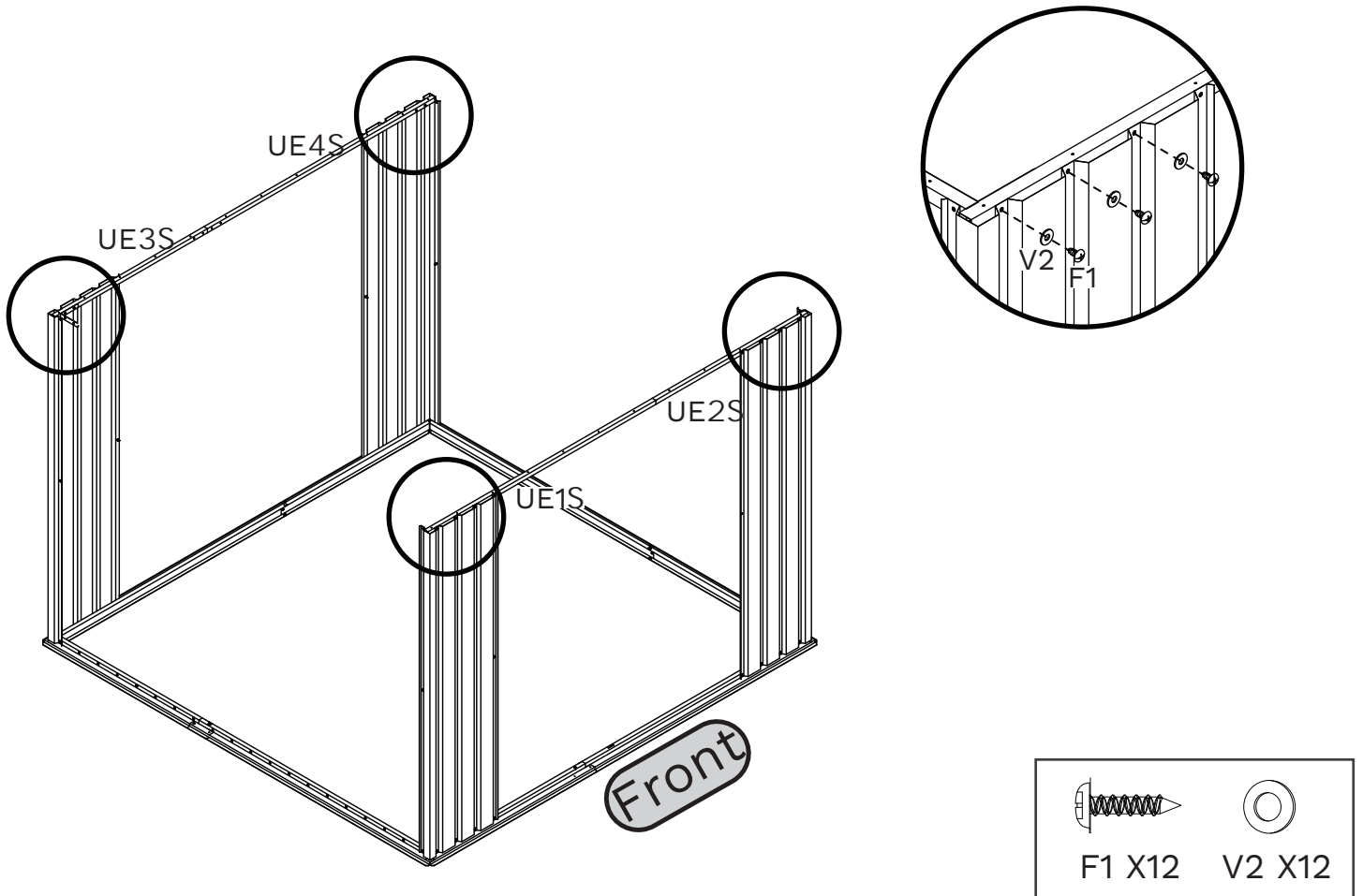
STEP 10



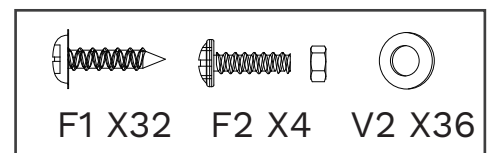
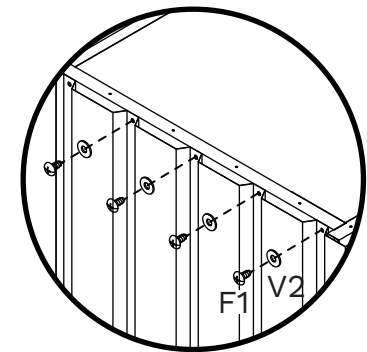
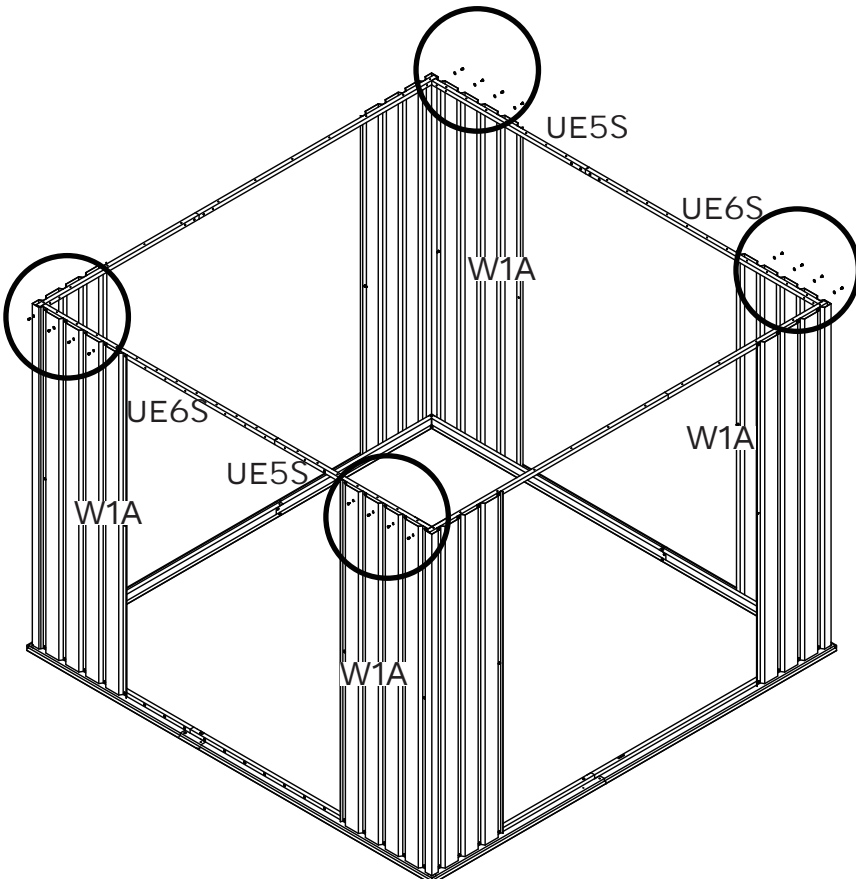
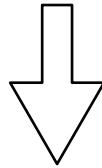
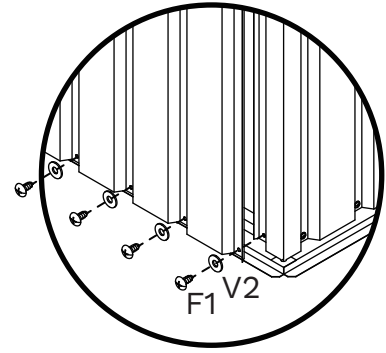
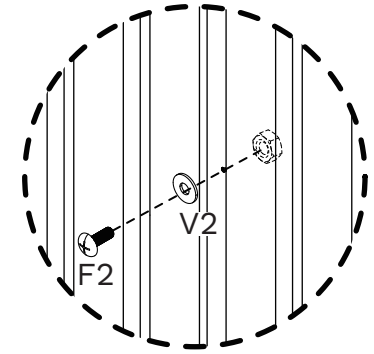
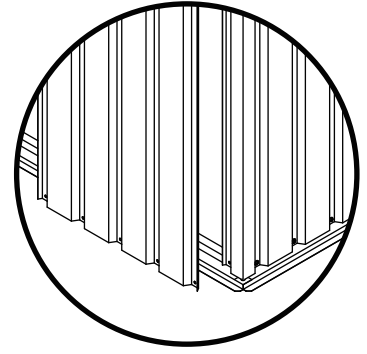
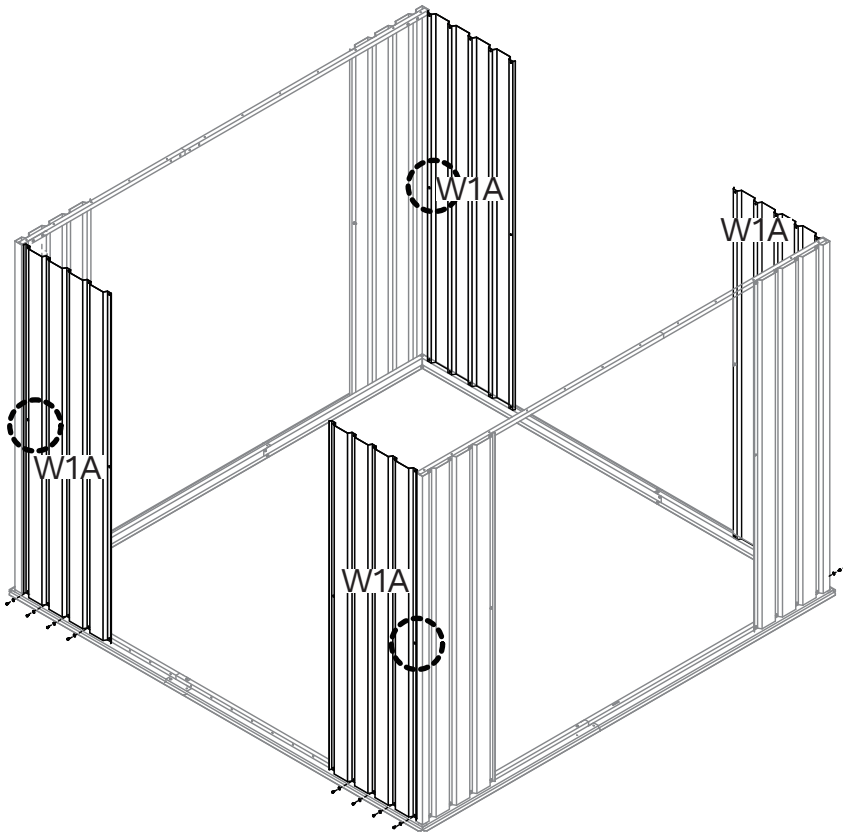
STEP 11



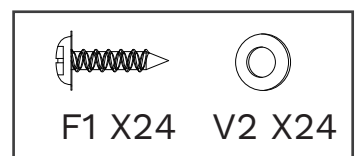
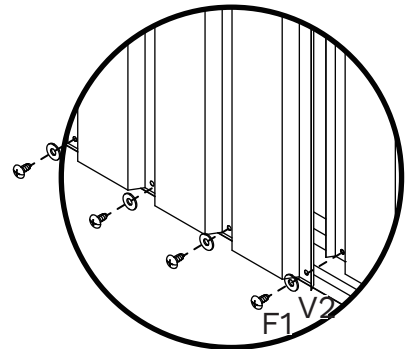
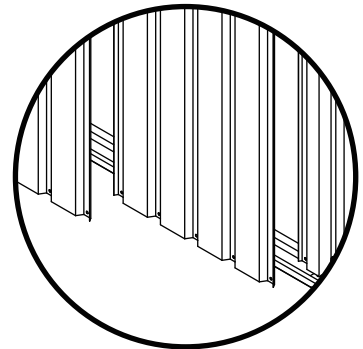
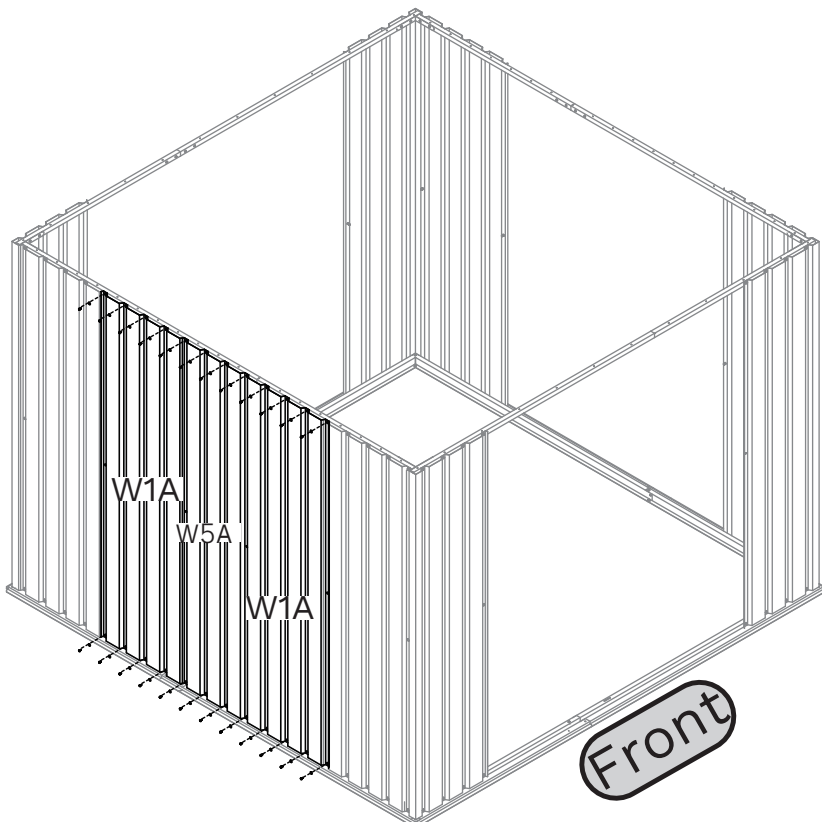
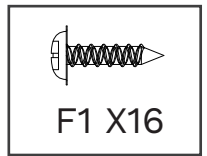
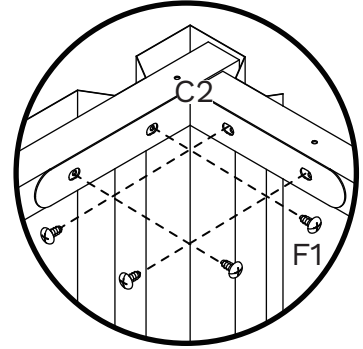
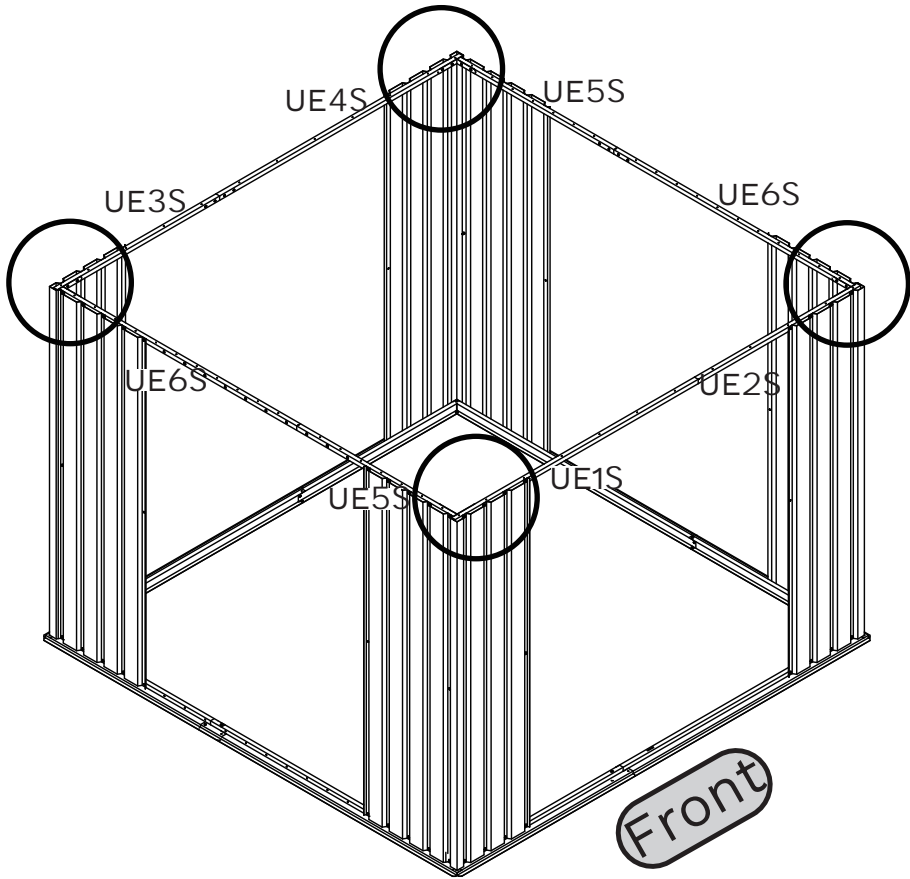
STEP 12



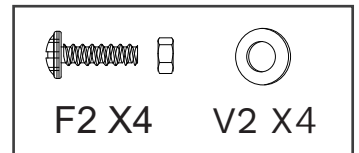
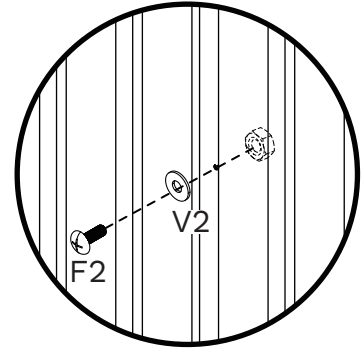
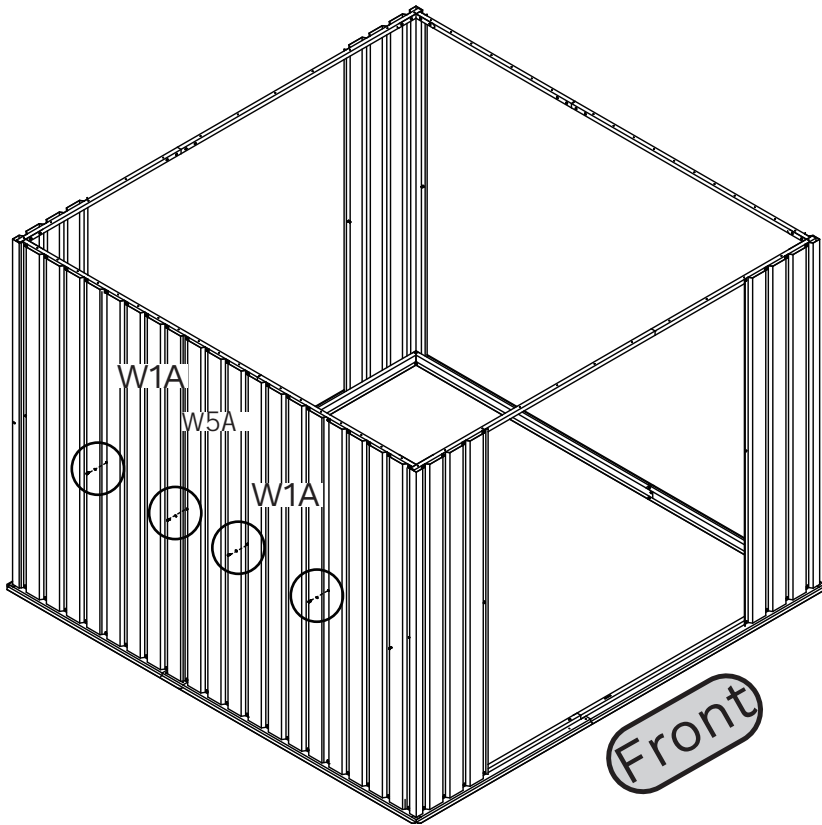
STEP 13



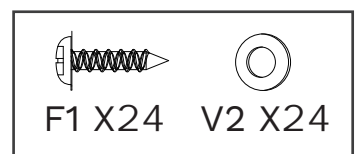
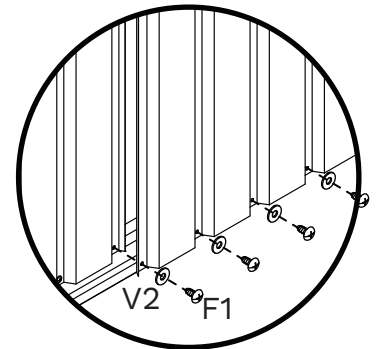
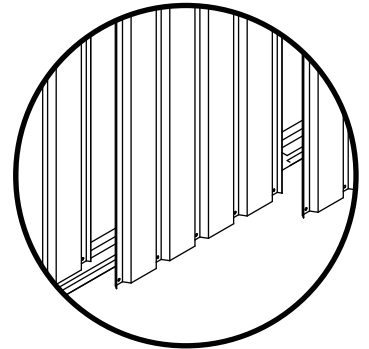
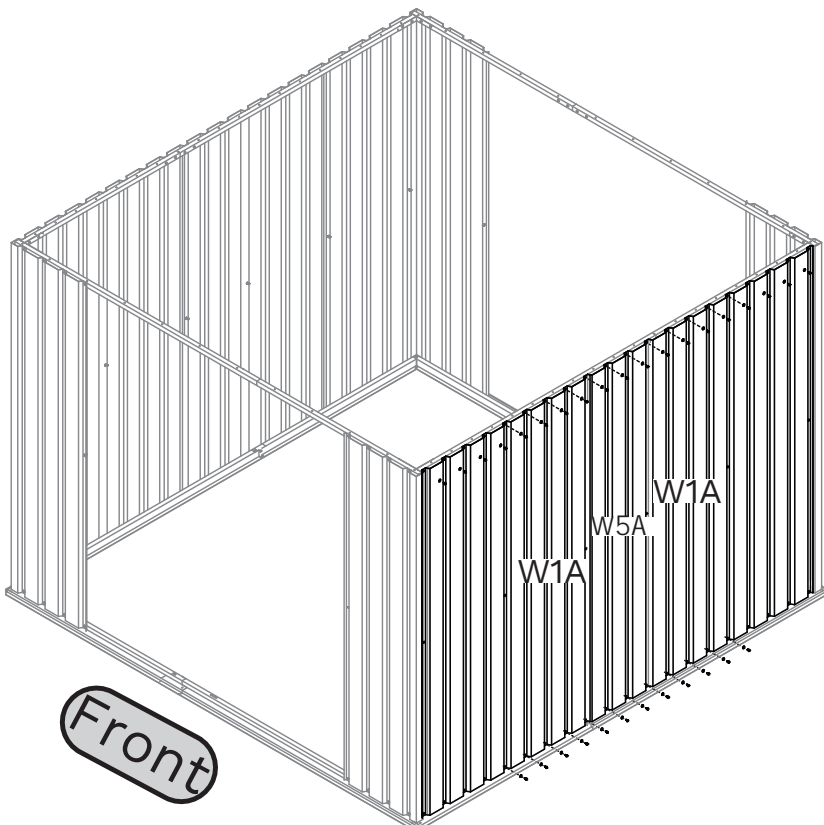
STEP 14



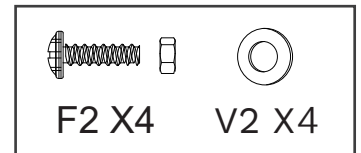
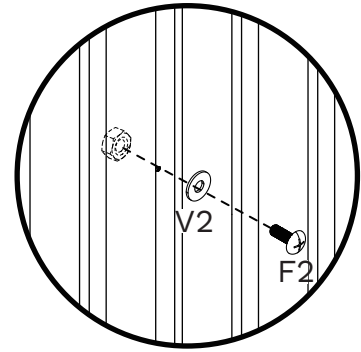
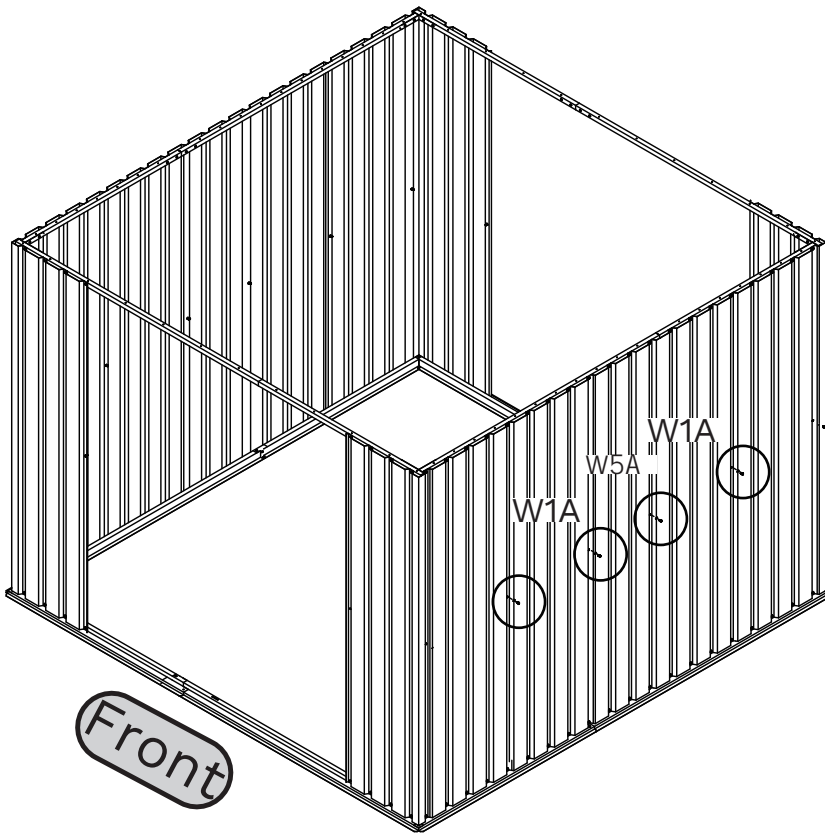
STEP 15



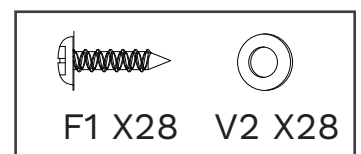
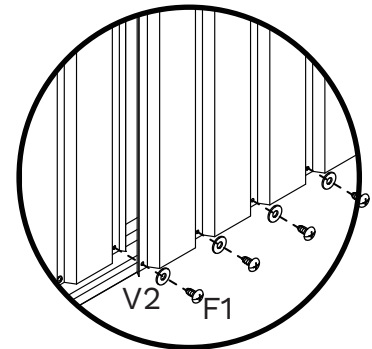
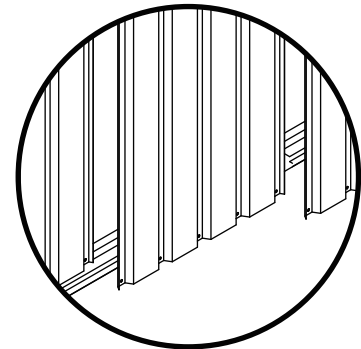
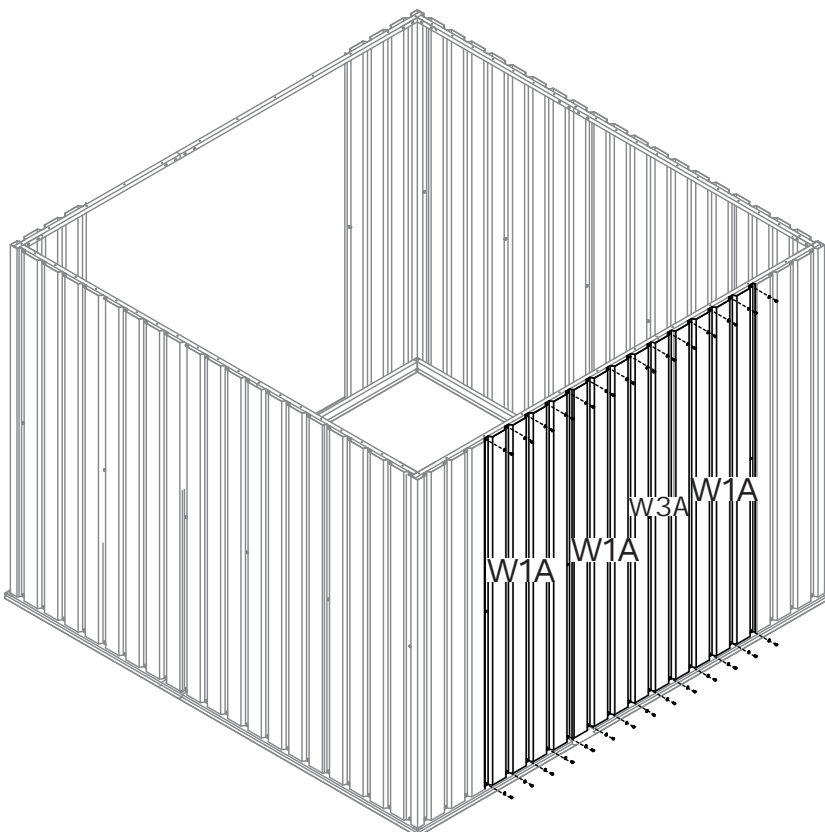
STEP 16



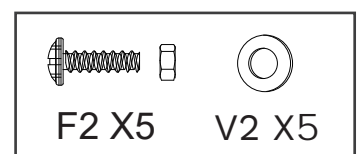
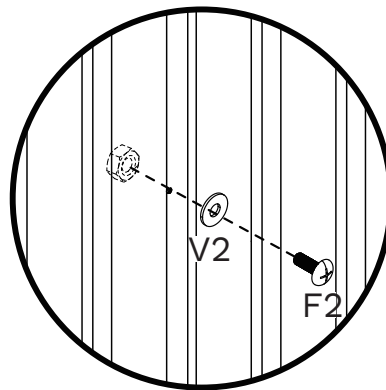
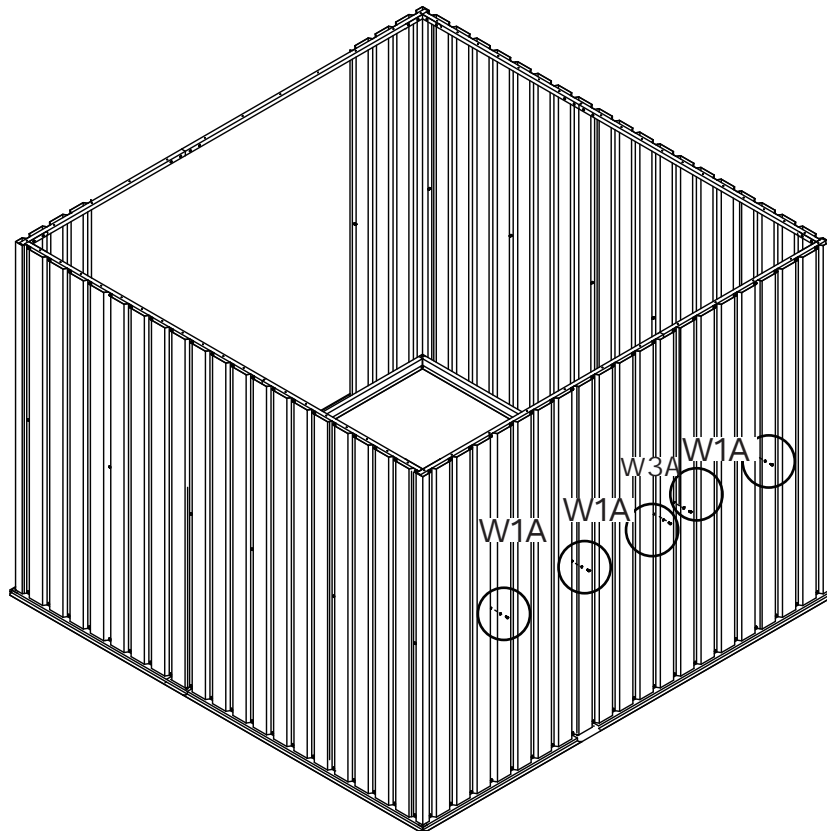
STEP 17



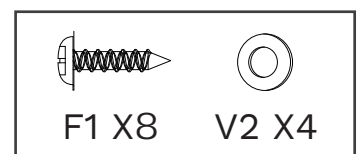
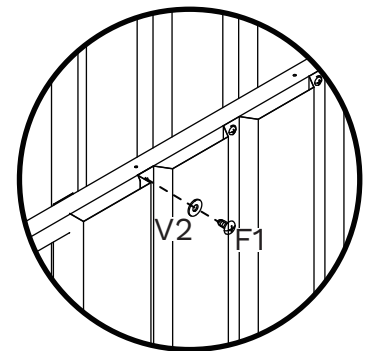
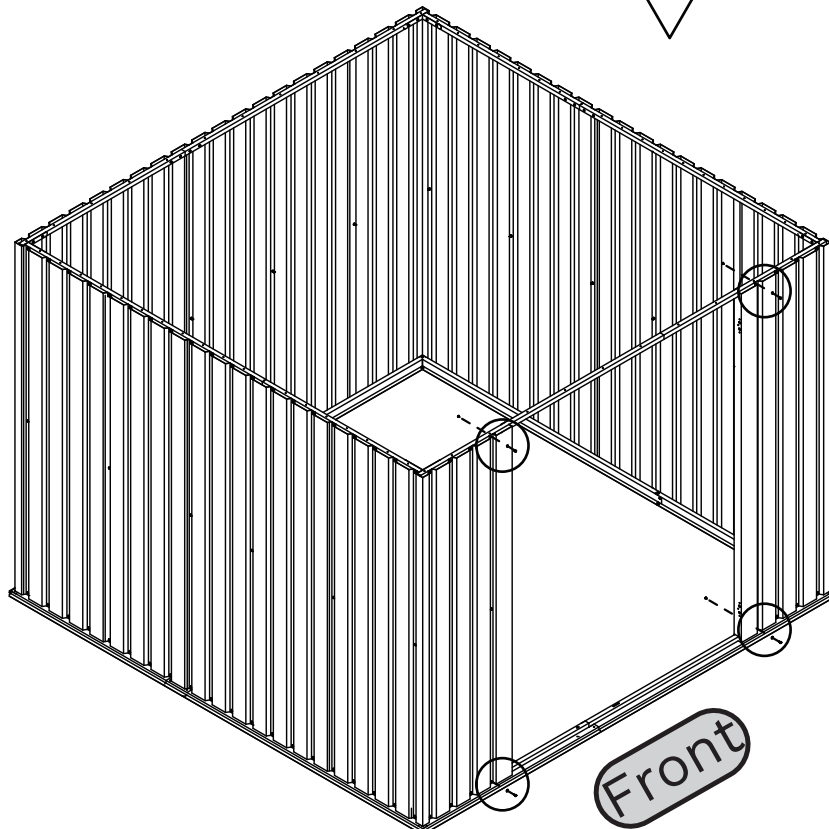
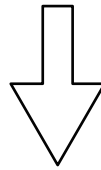
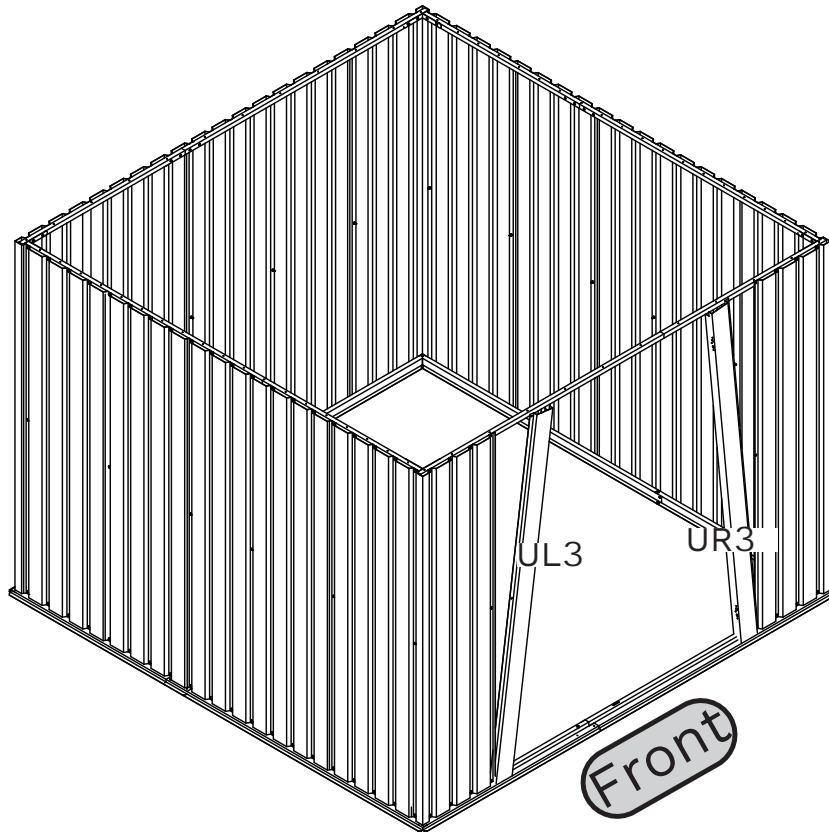
STEP 18



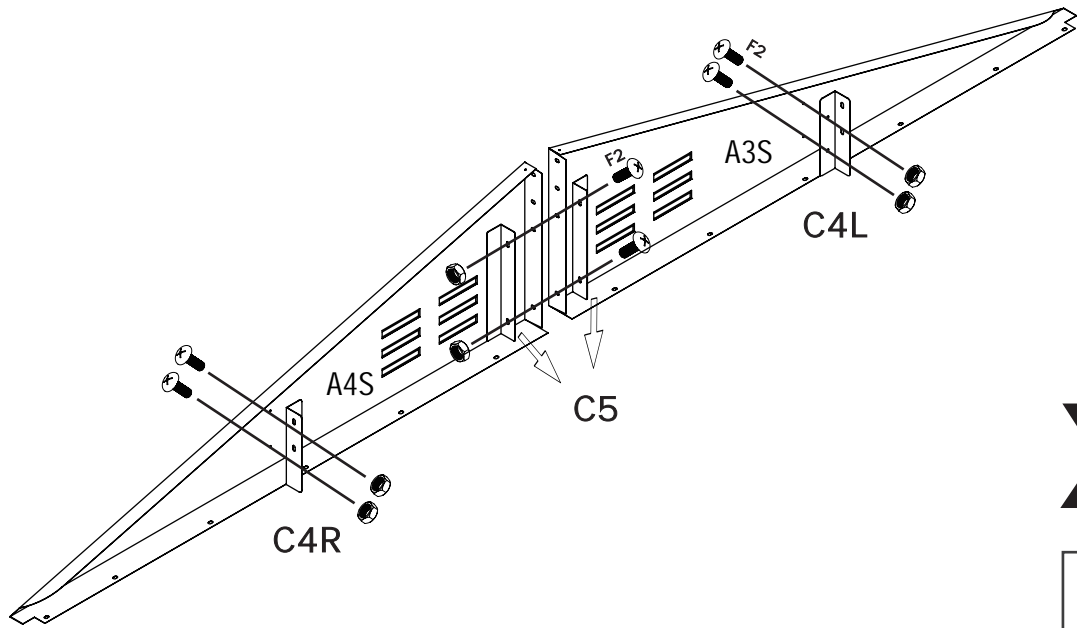
STEP 19



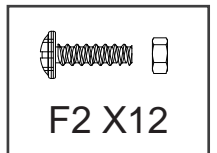
STEP 20



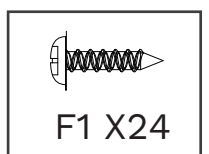
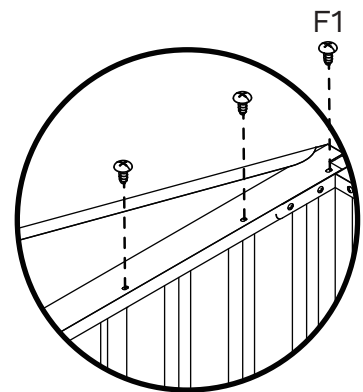
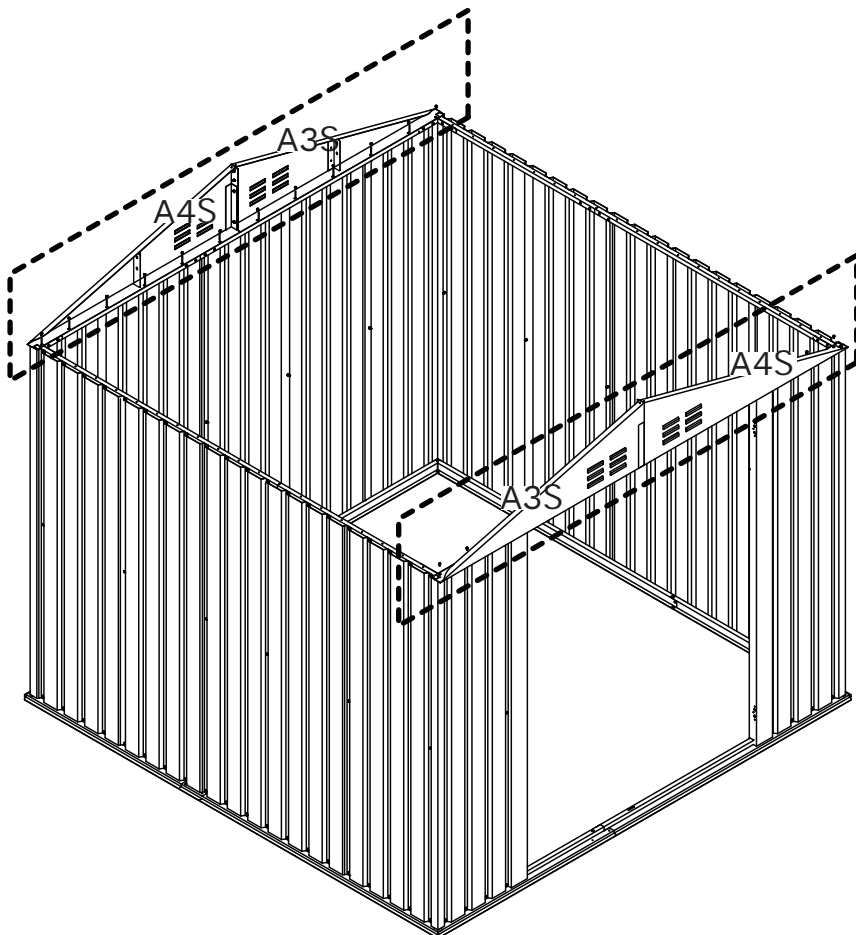
STEP 21



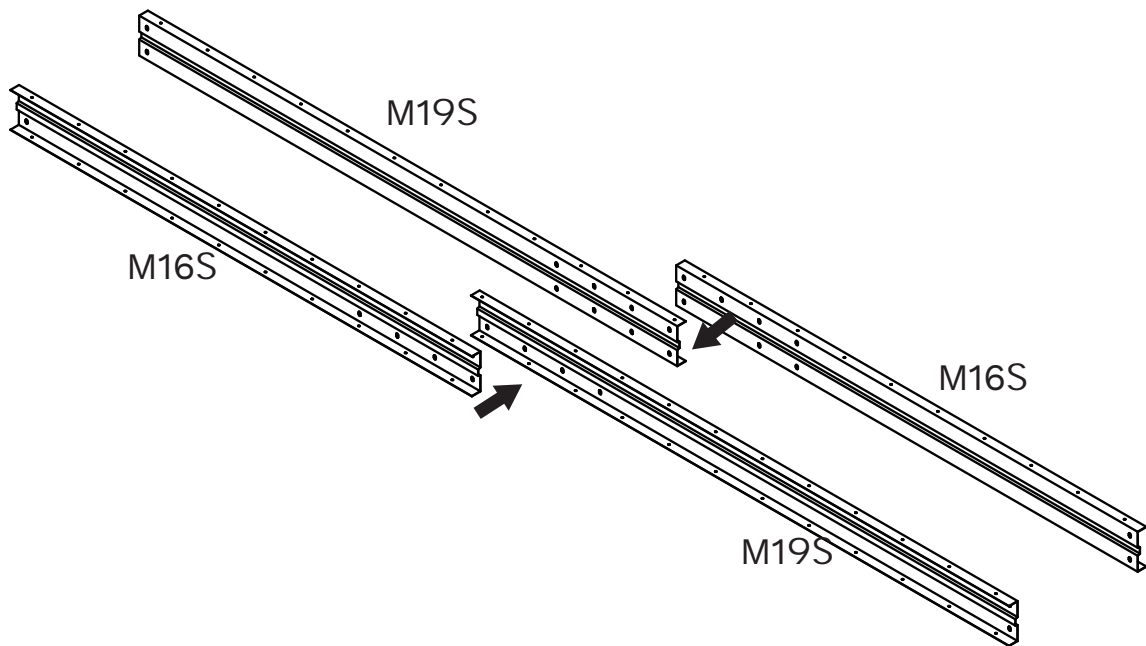
X2



STEP 22

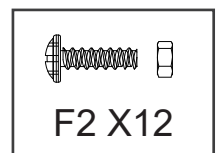
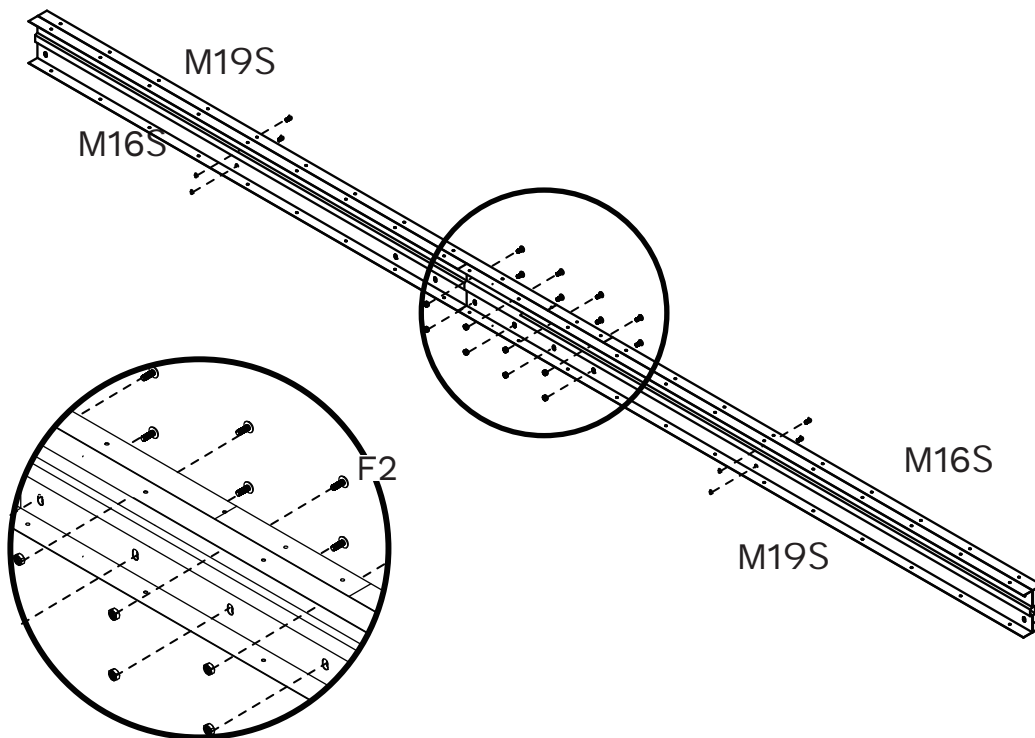


STEP 23

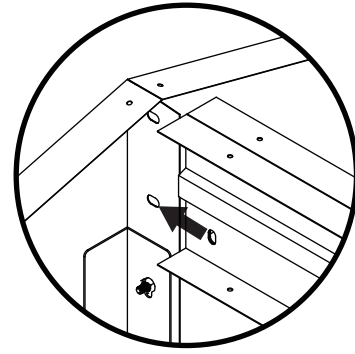
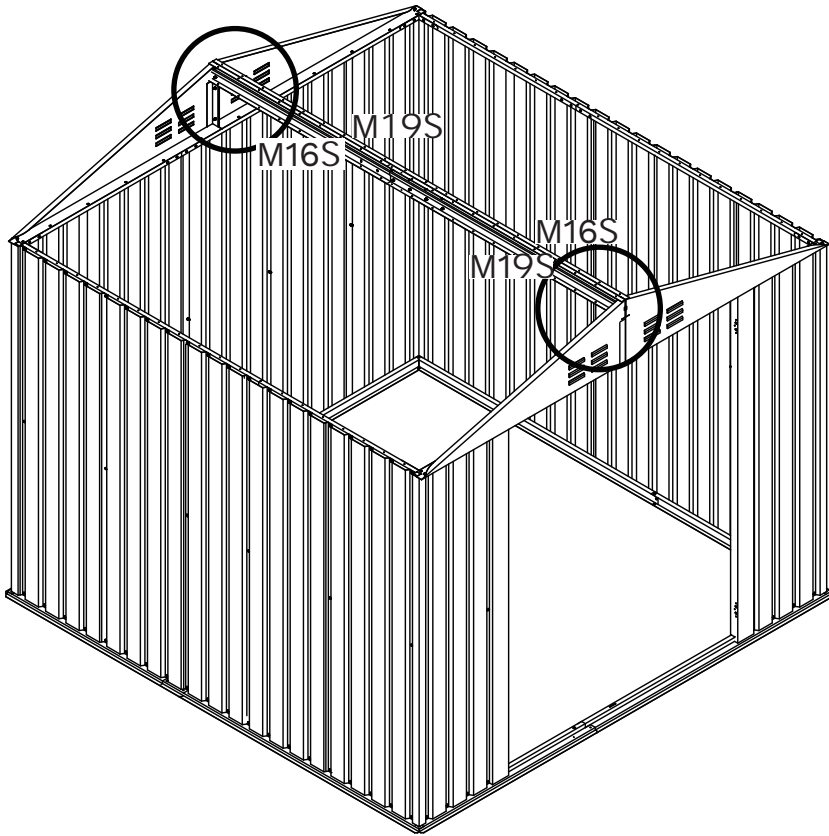


Note: M16 is pressed into M17.

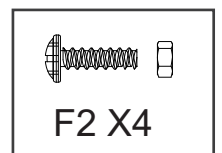
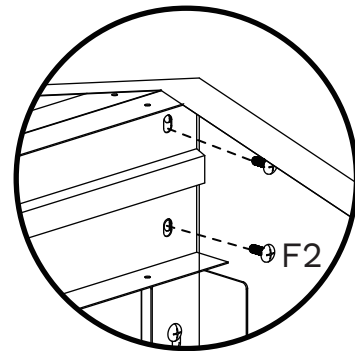
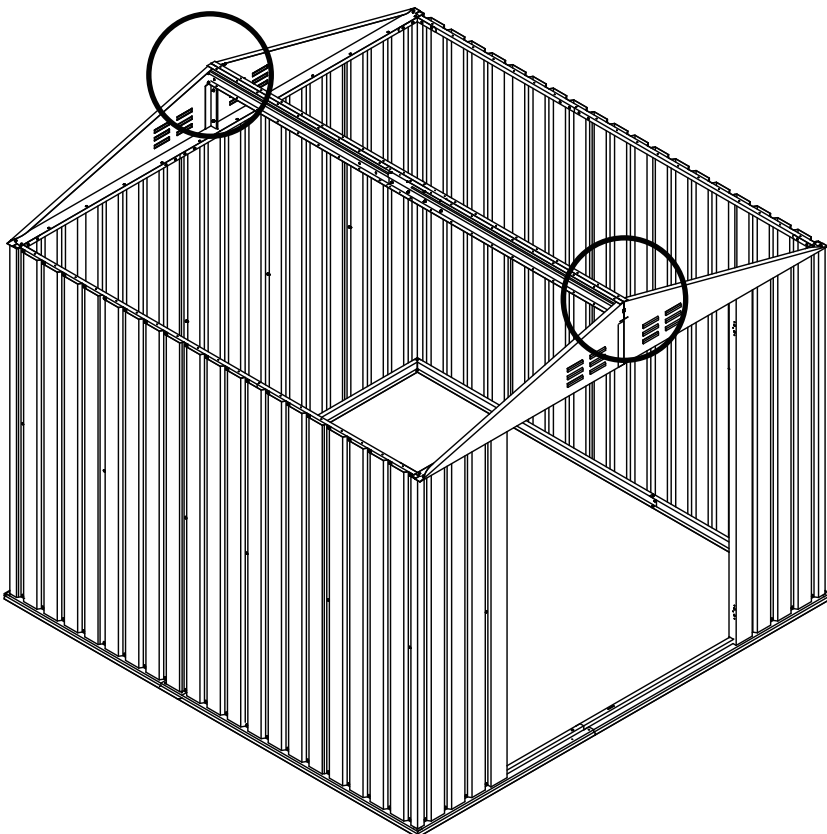
STEP 24



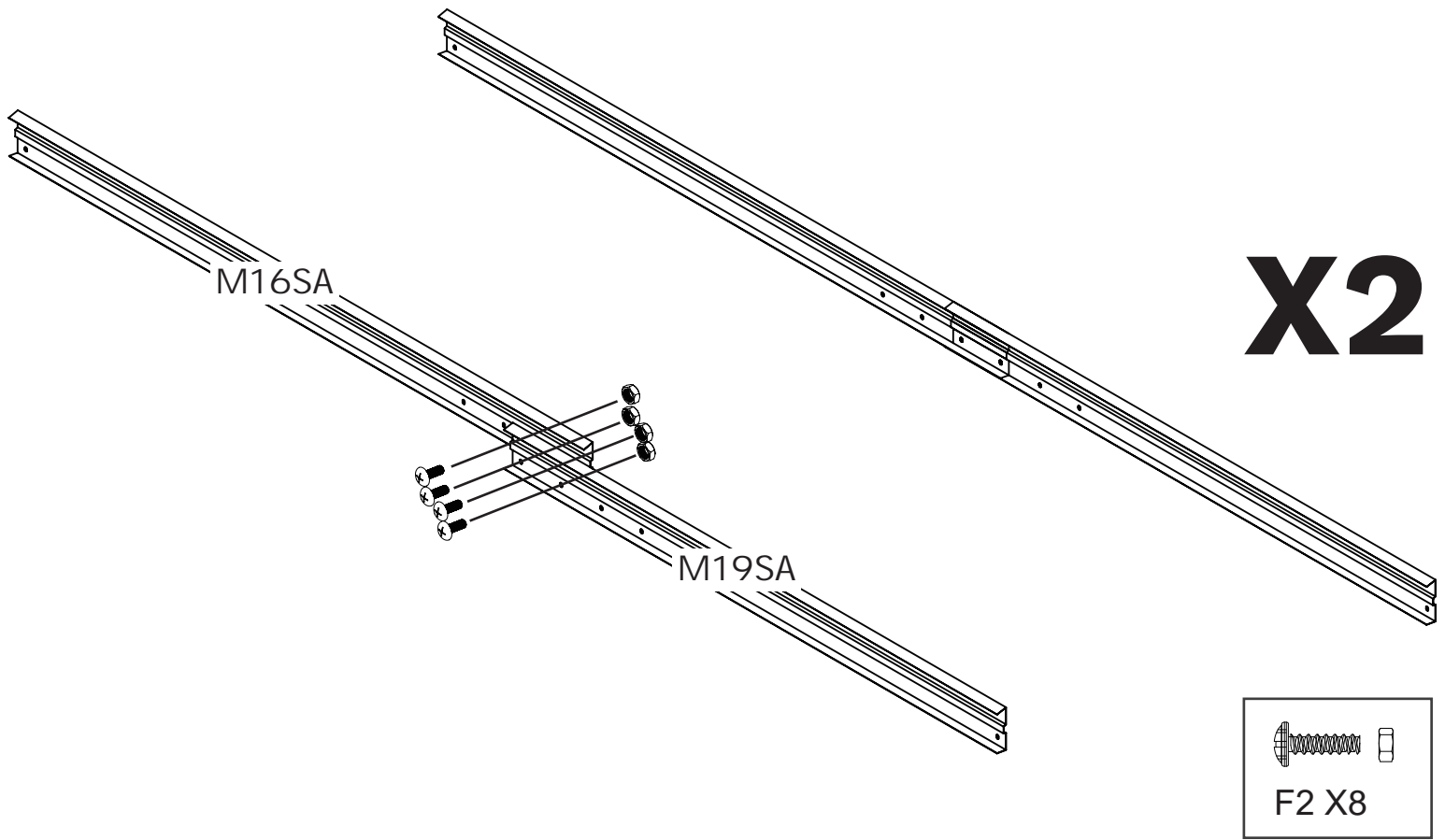
STEP 25



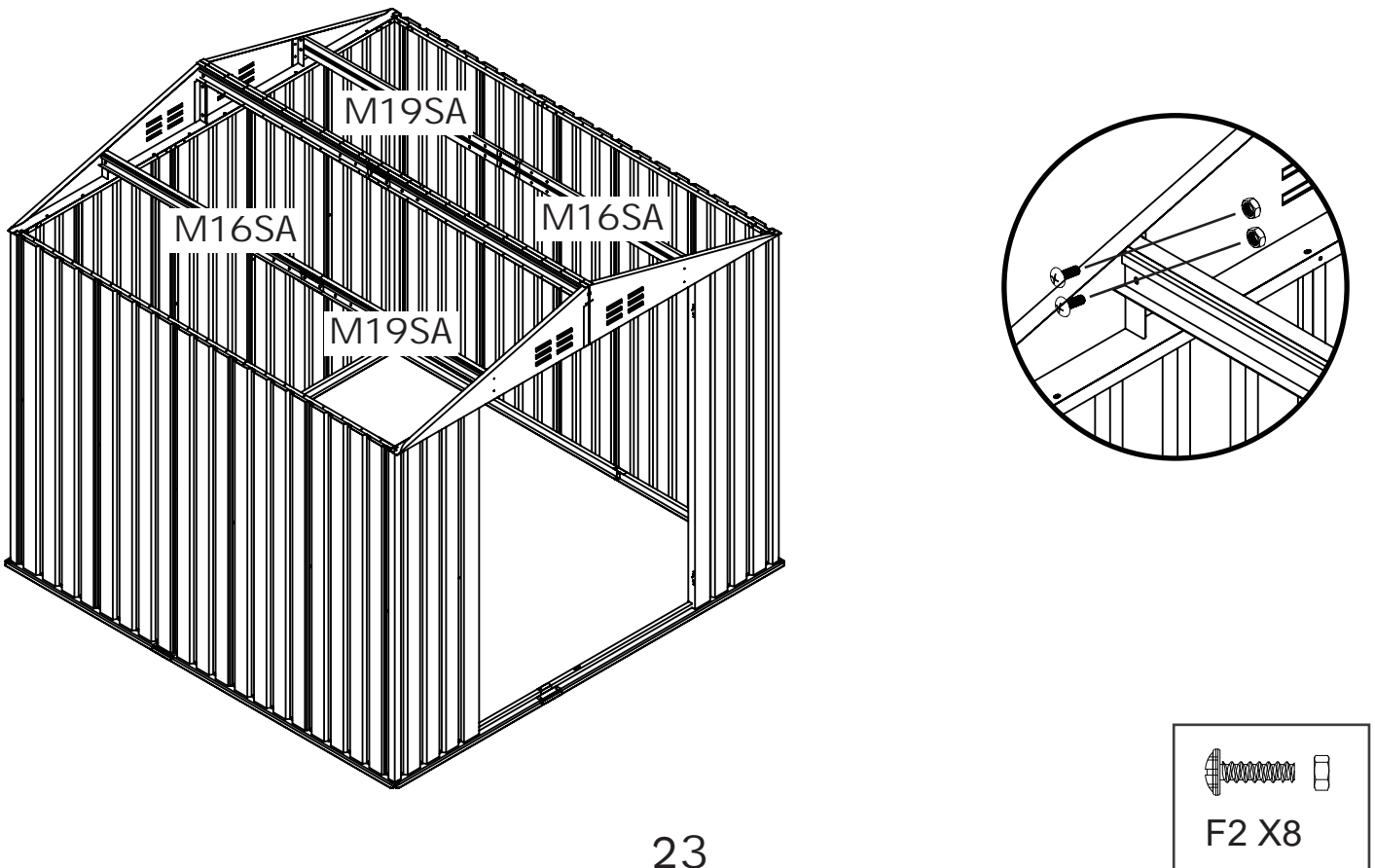
STEP 26



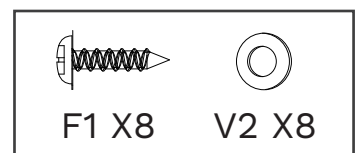
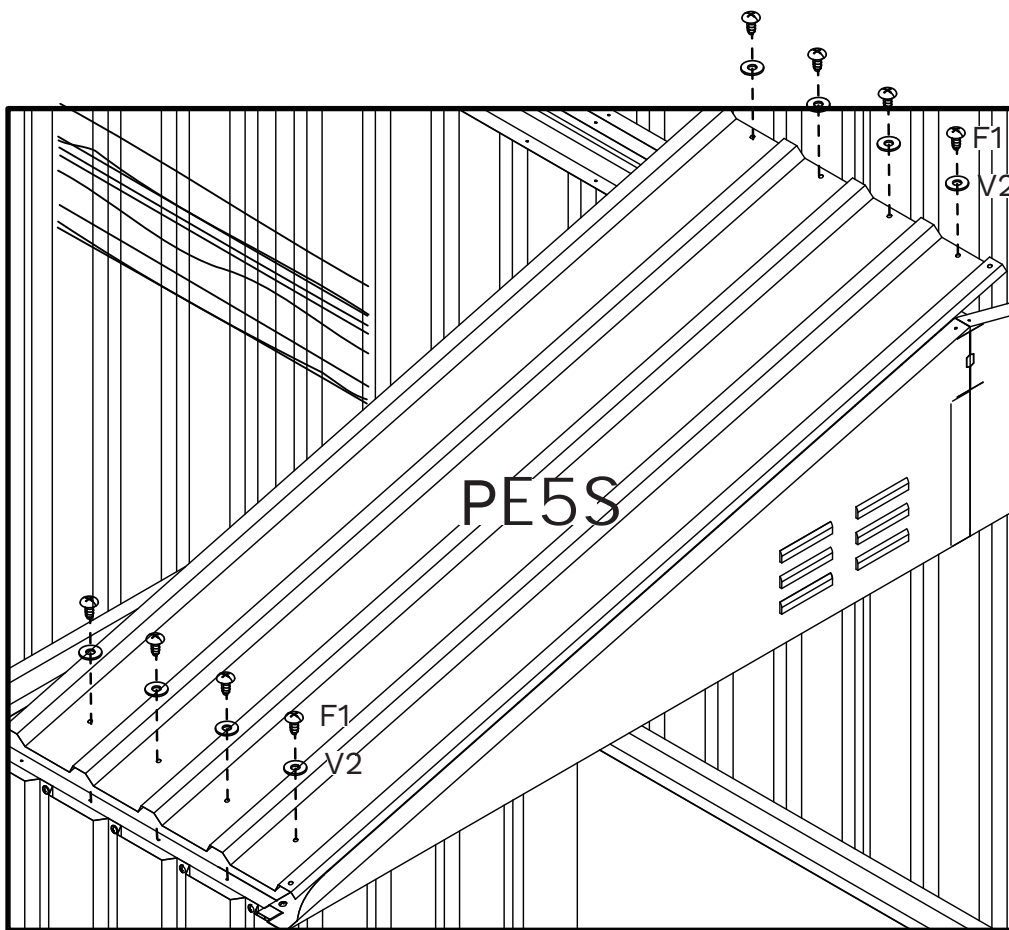
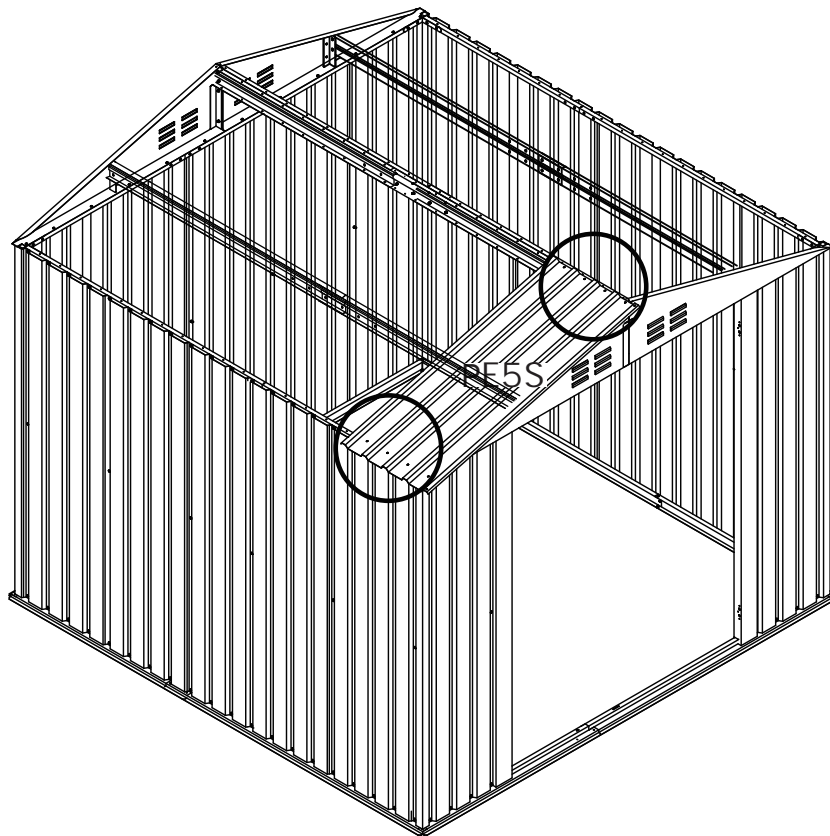
STEP 27



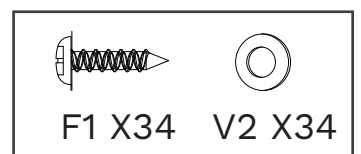
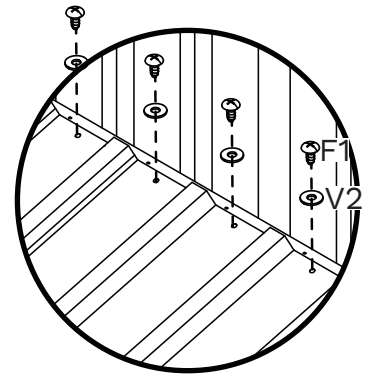
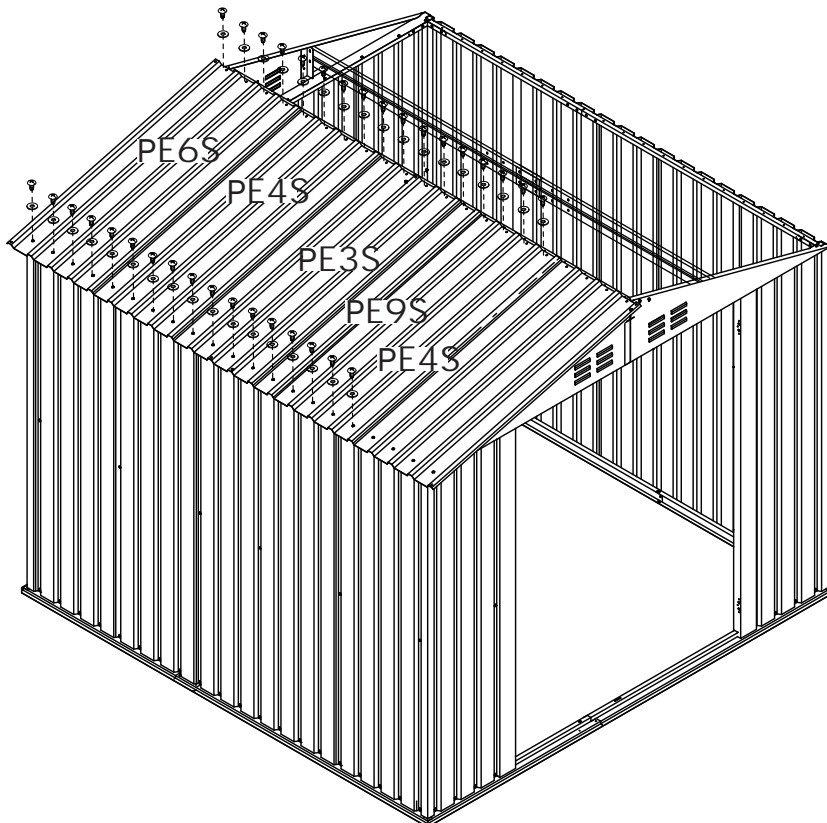
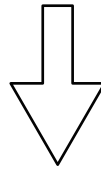
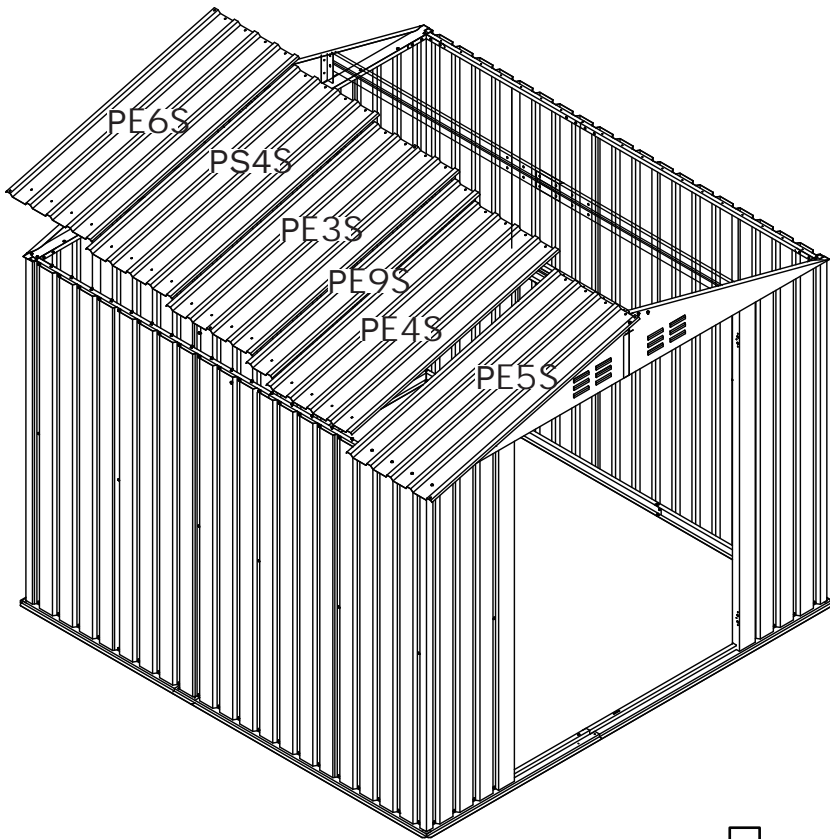
STEP 28



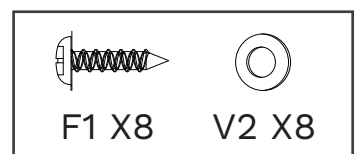
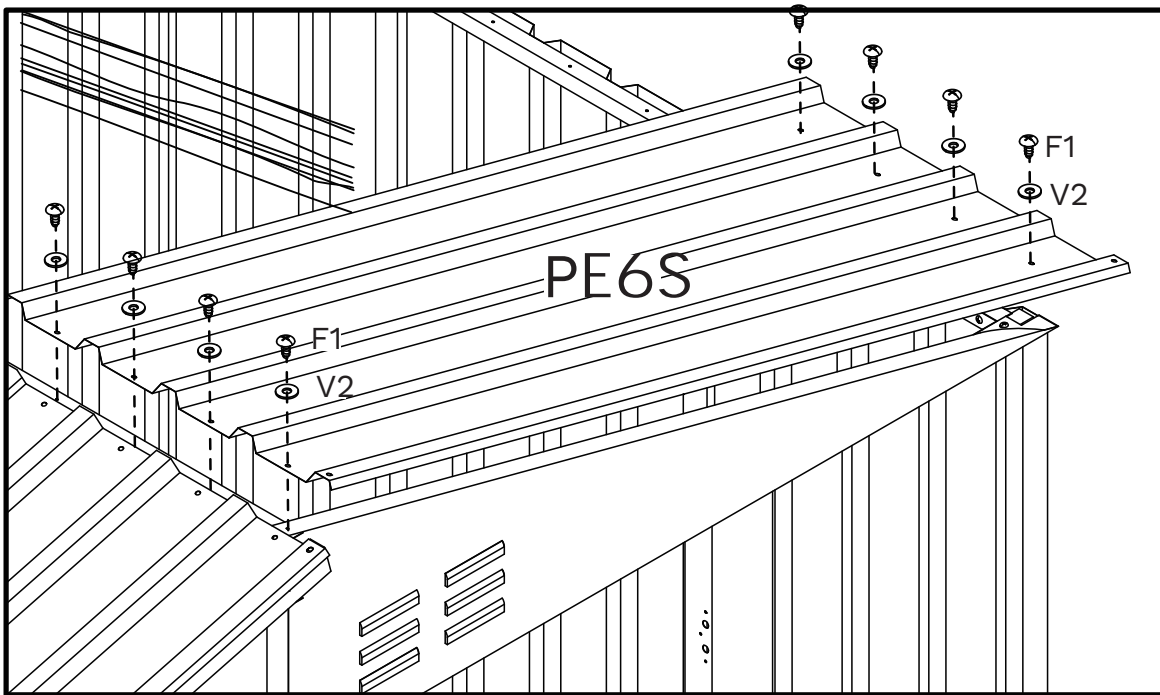
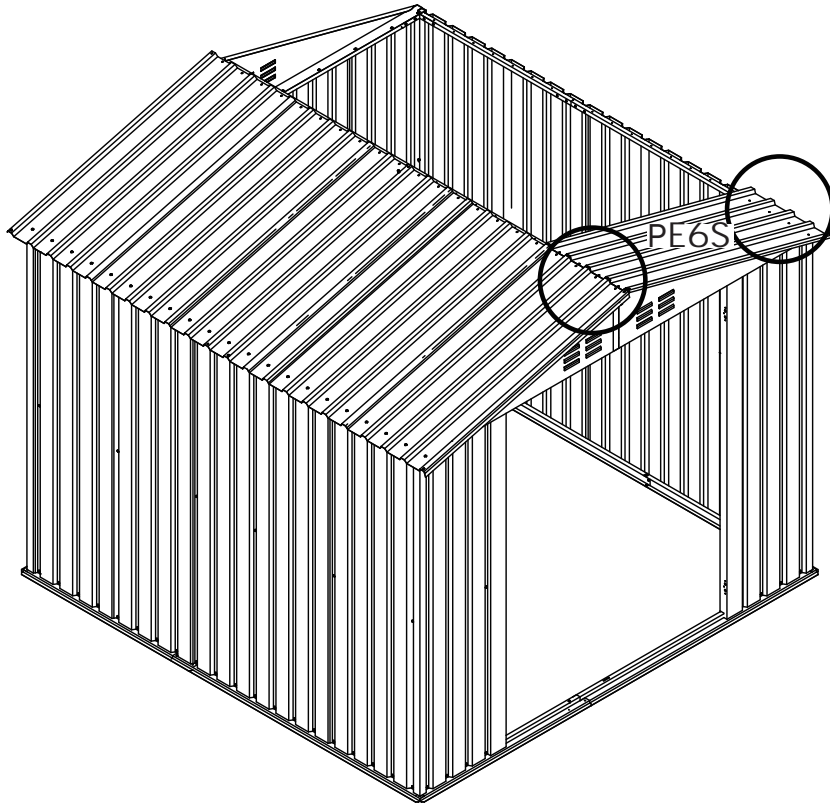
STEP 29



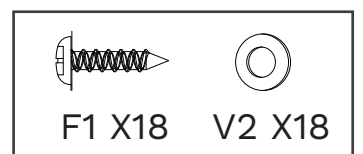
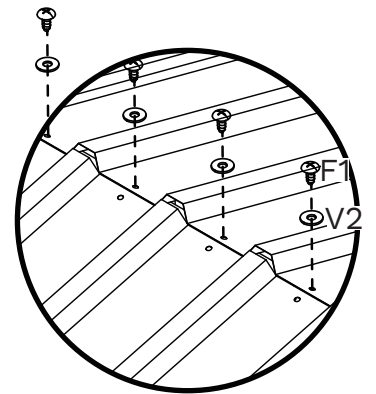
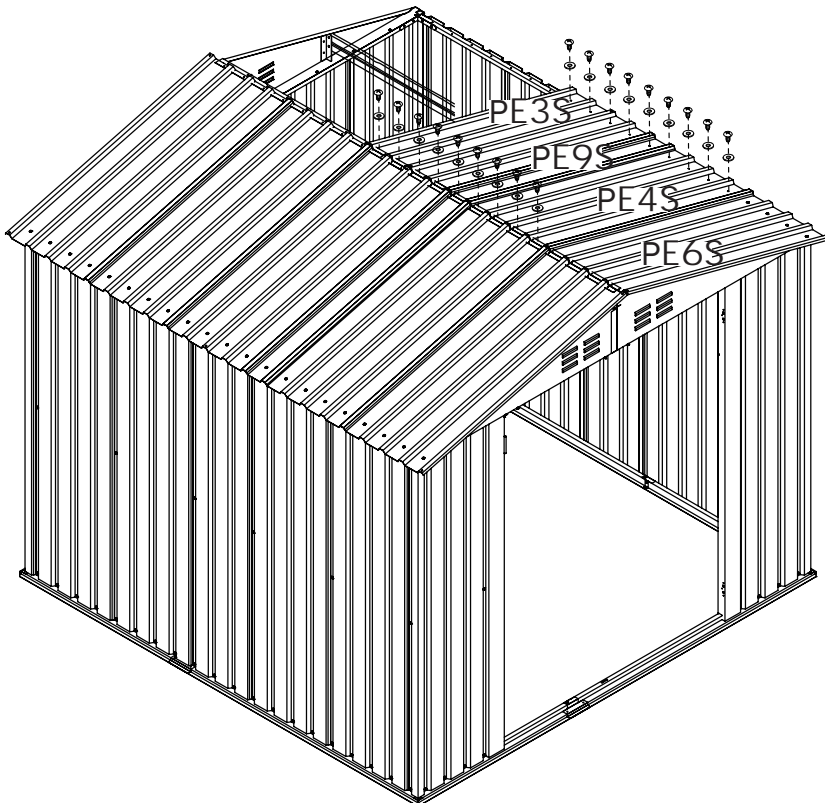
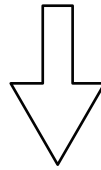
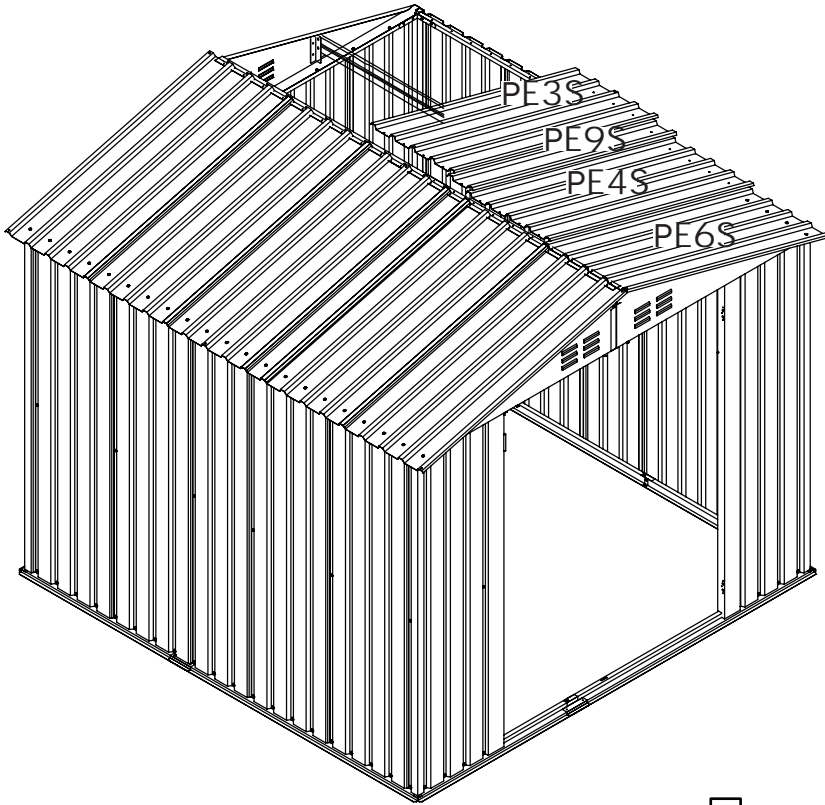
STEP 30



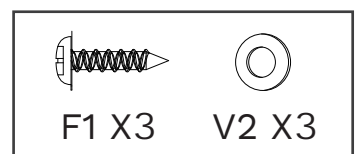
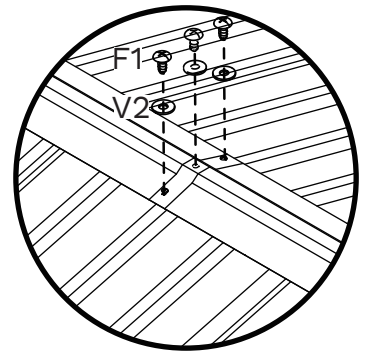
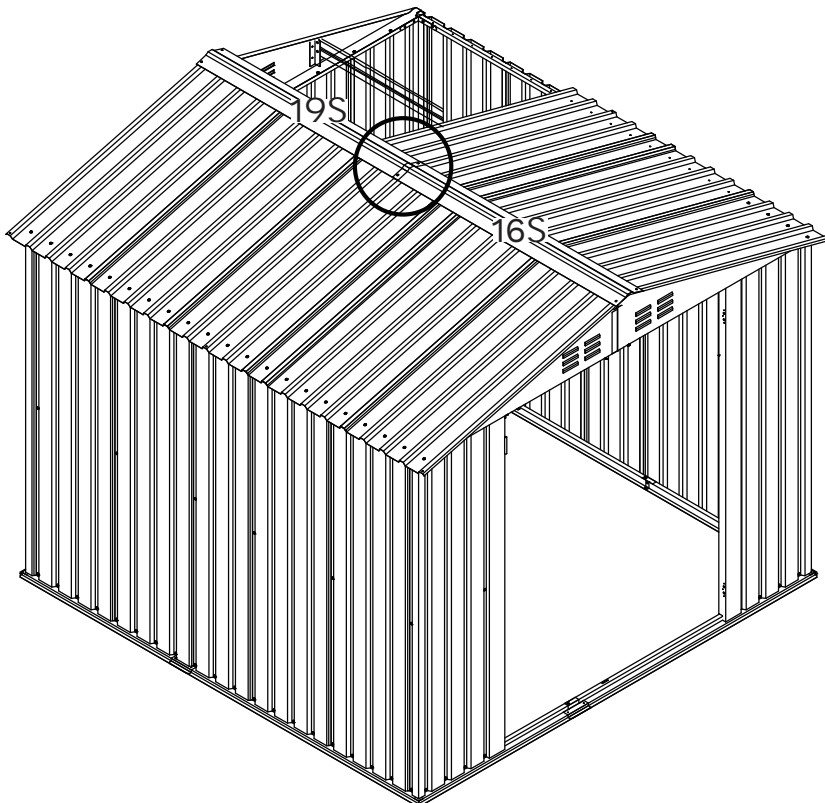
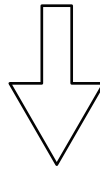
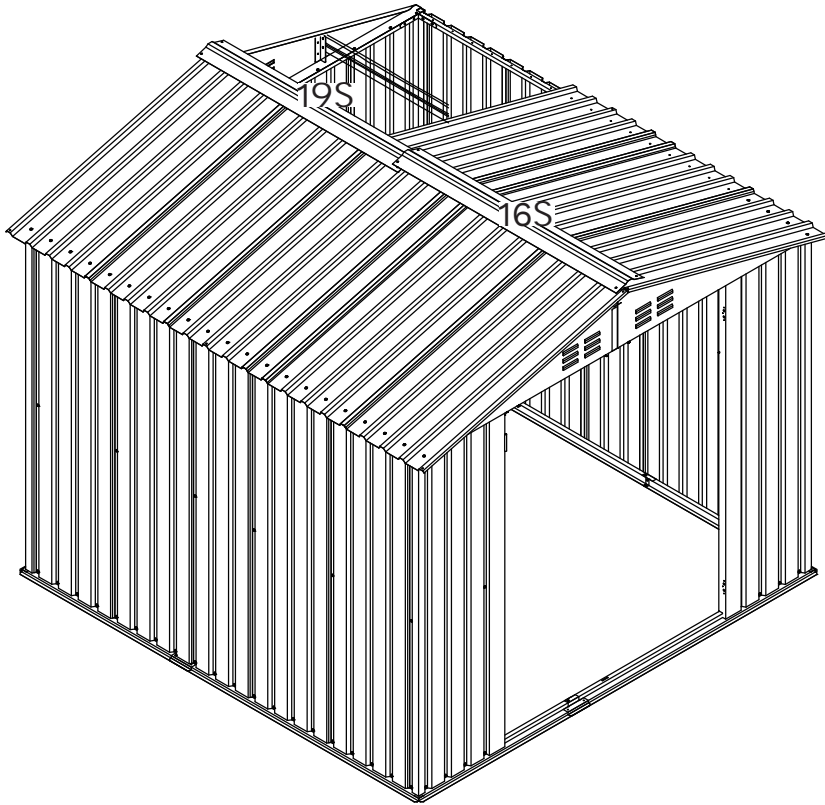
STEP 31



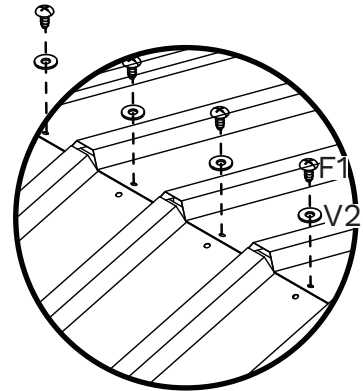
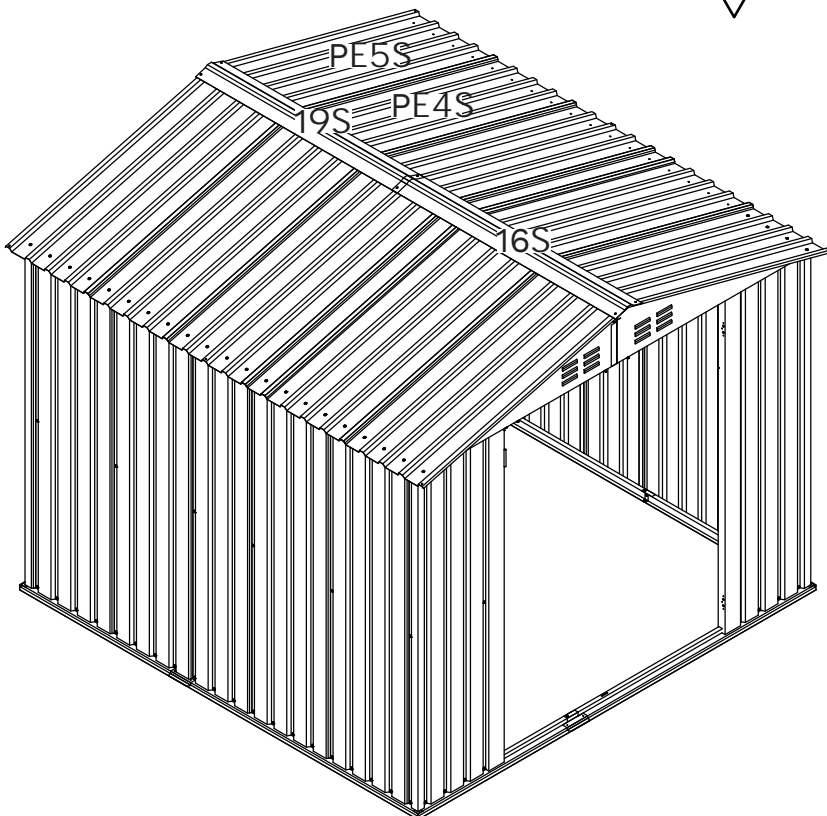
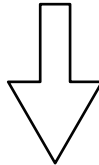
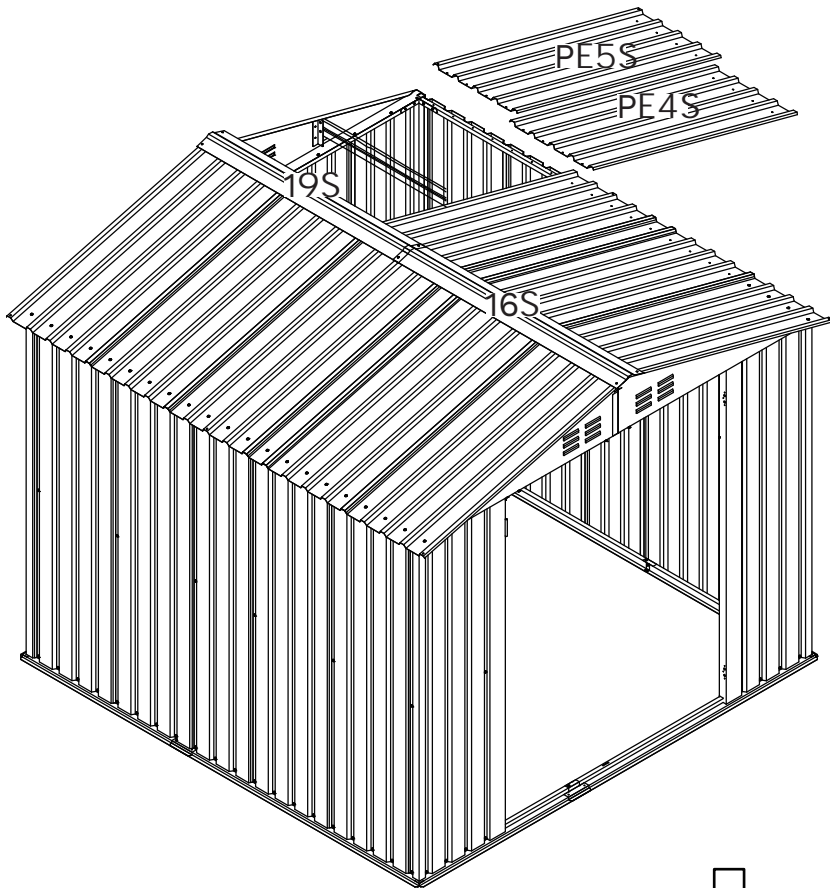
STEP 32



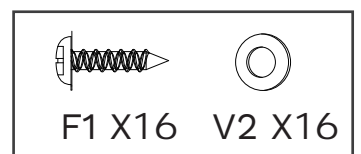
STEP 33



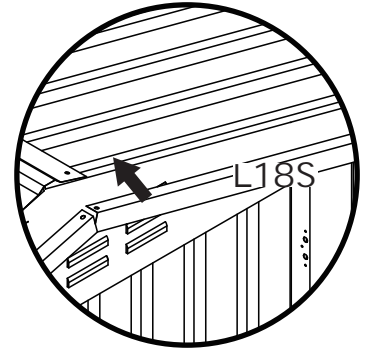
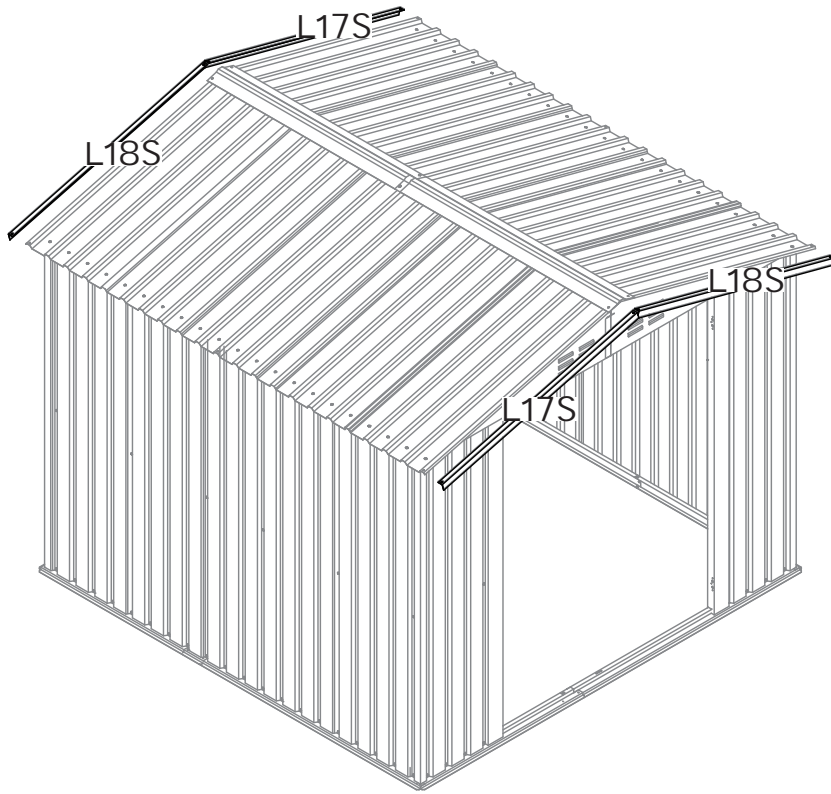
STEP 34



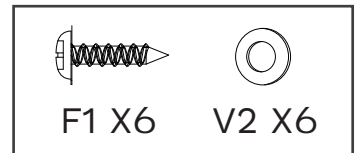
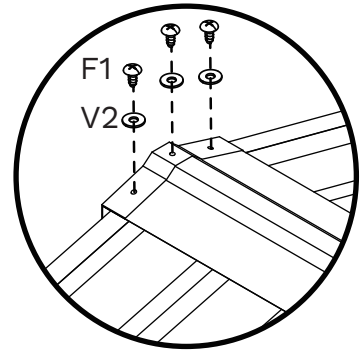
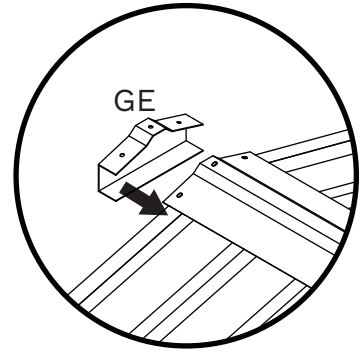
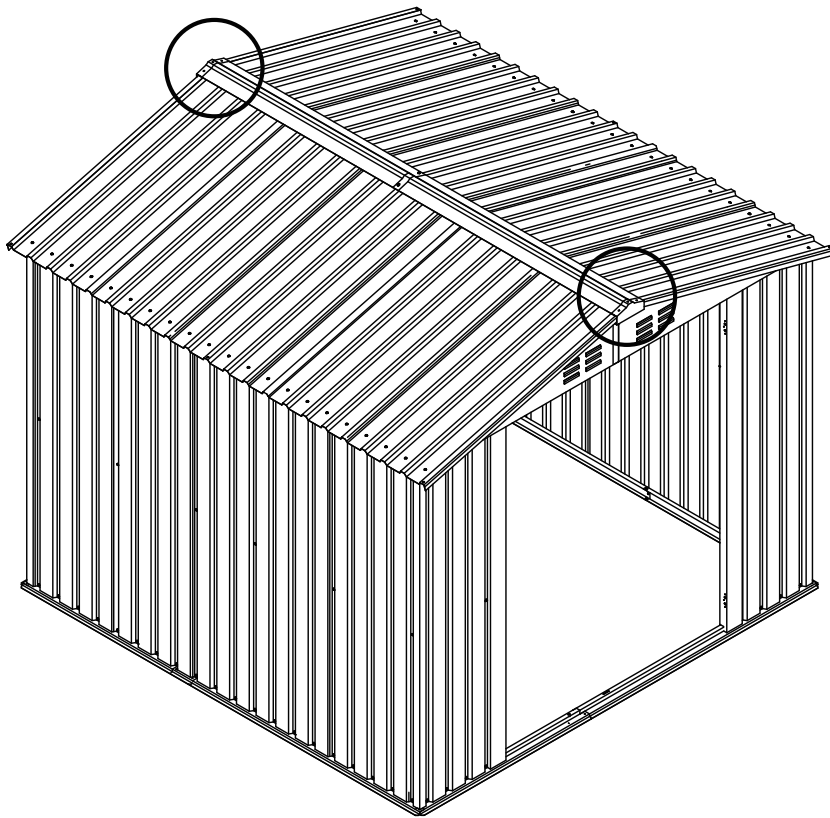
Lift the ridge cap 19S and position the roof panels PE5S and PE4S as shown. Please note that the upper sides of PE5S and PE4S should be inserted into the ridge cap 19S. After aligning the panel holes with those on the beam L17S, secure them by installing screw F1 with washer V2. Finally, lower the ridge cap 19S.



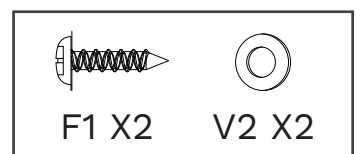
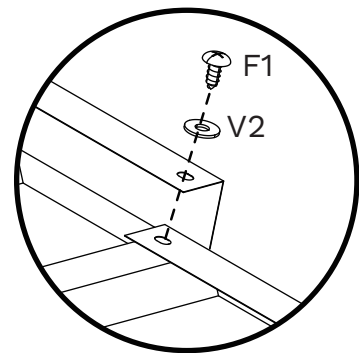
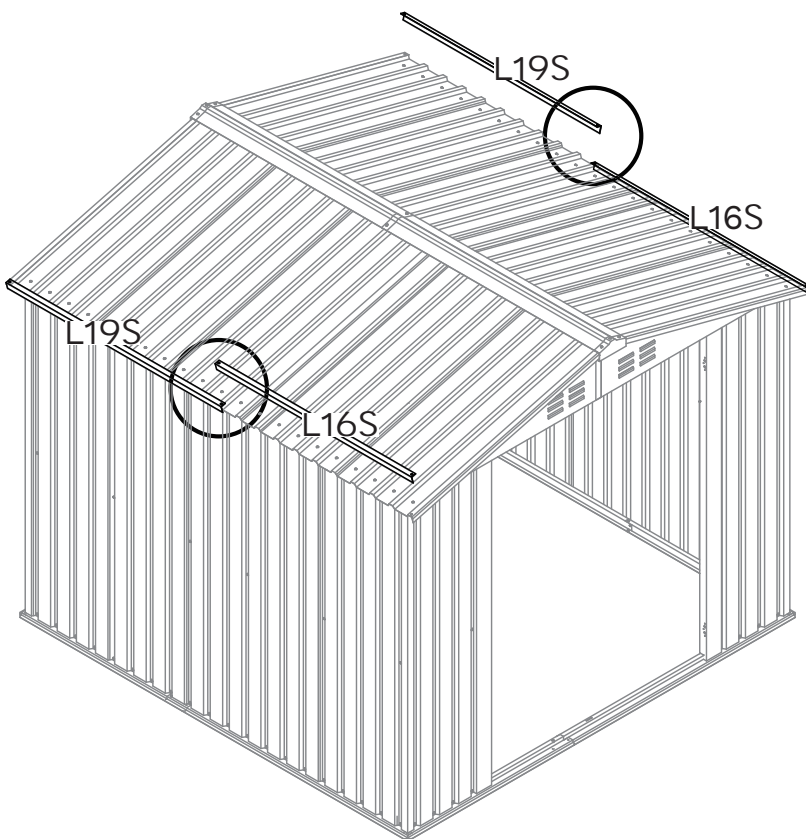
STEP 35



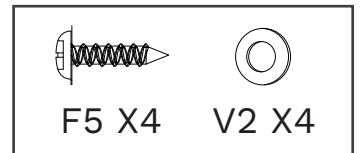
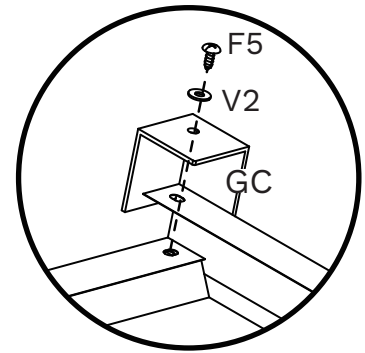
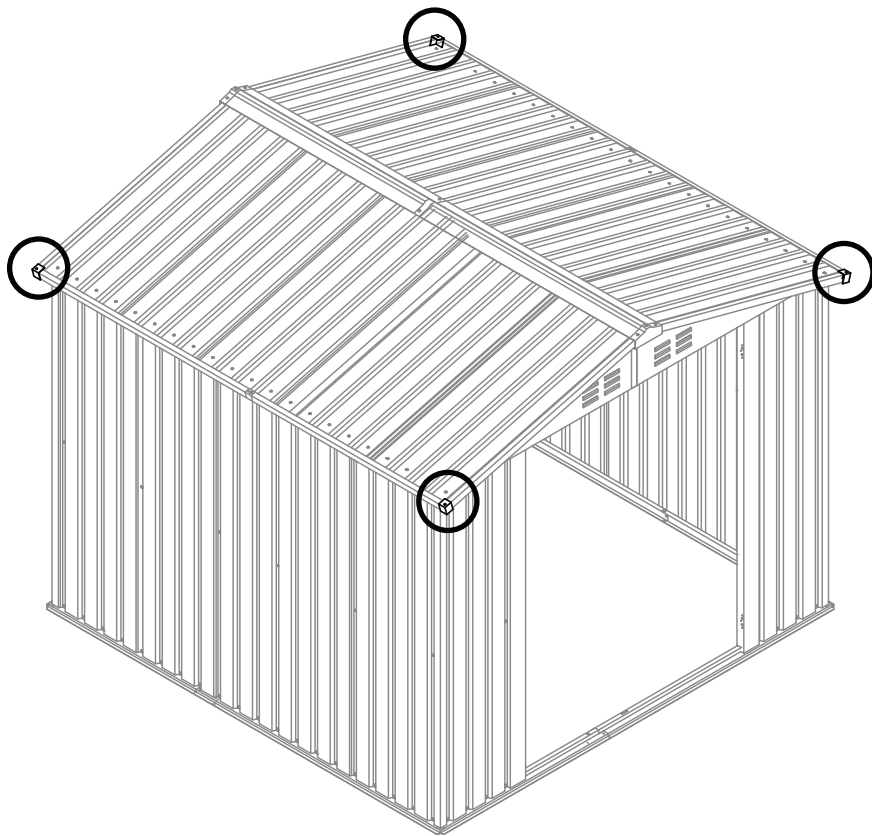
STEP 36



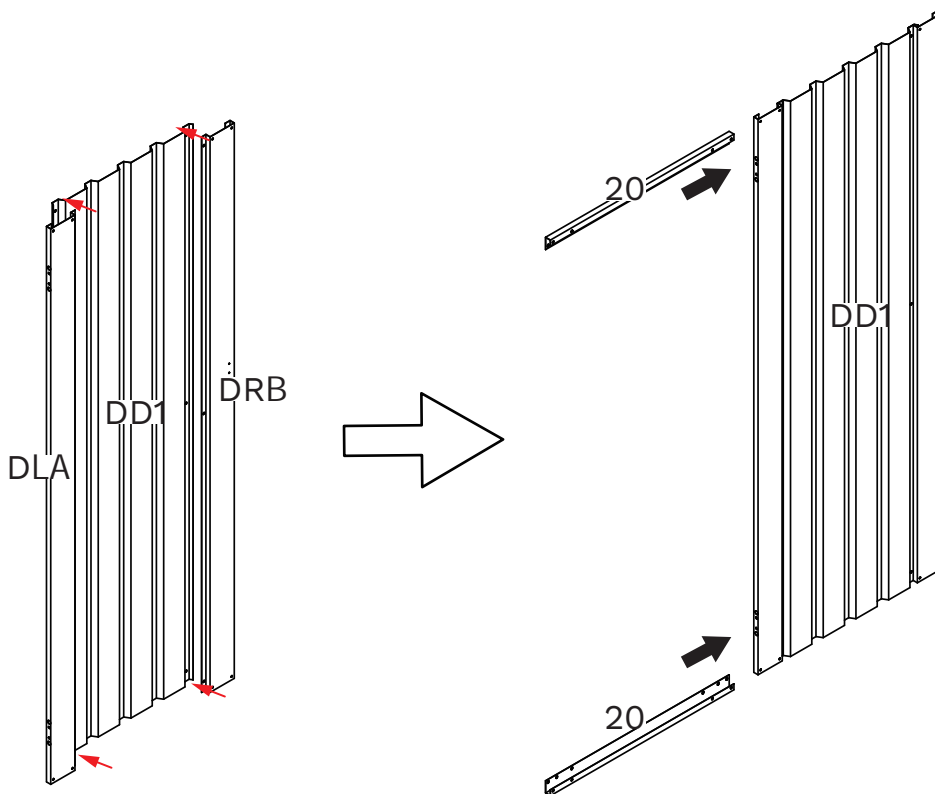
STEP 37



STEP 38



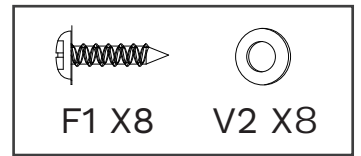
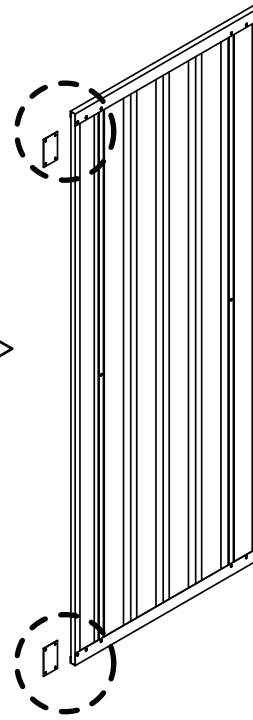
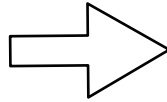
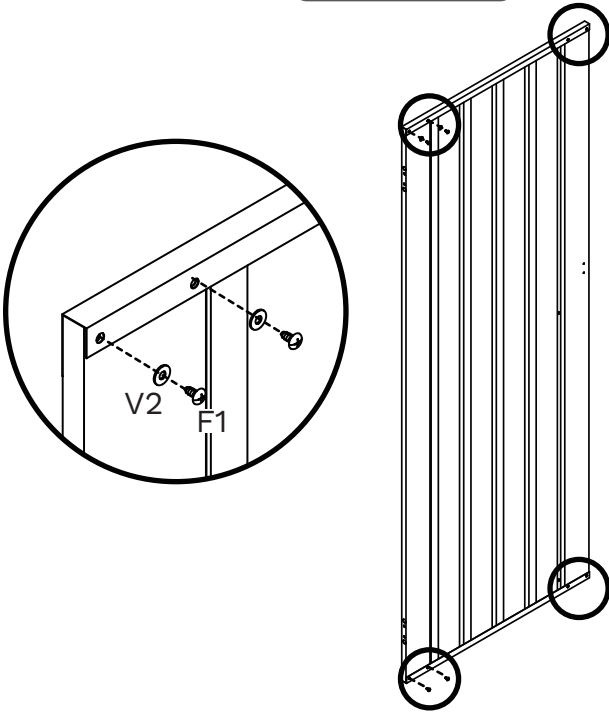
STEP 39



STEP 40

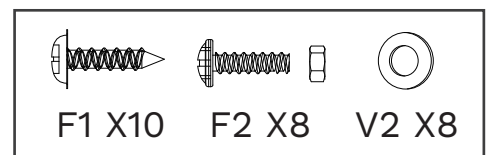
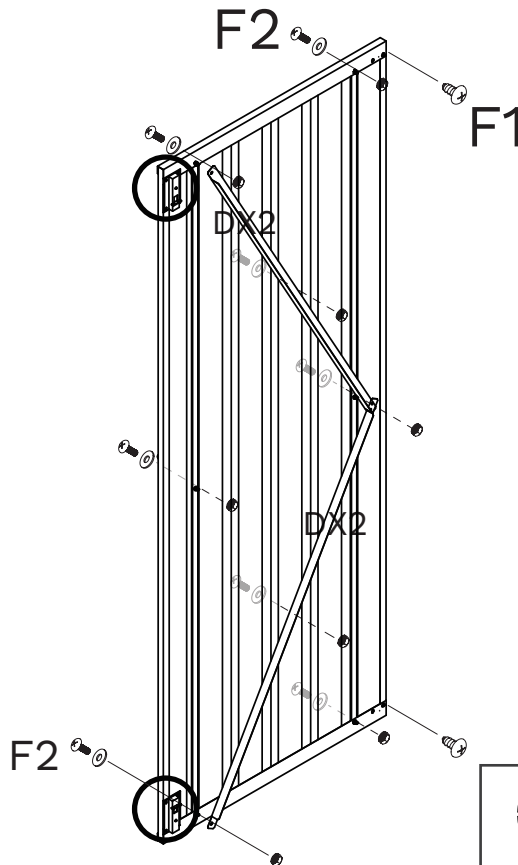
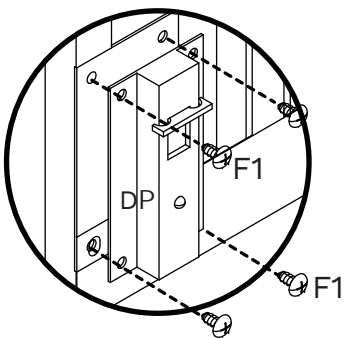
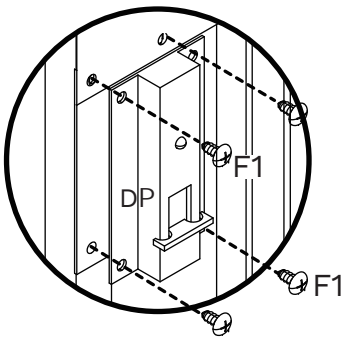
Exterior side

Interior side



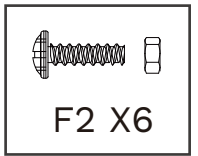
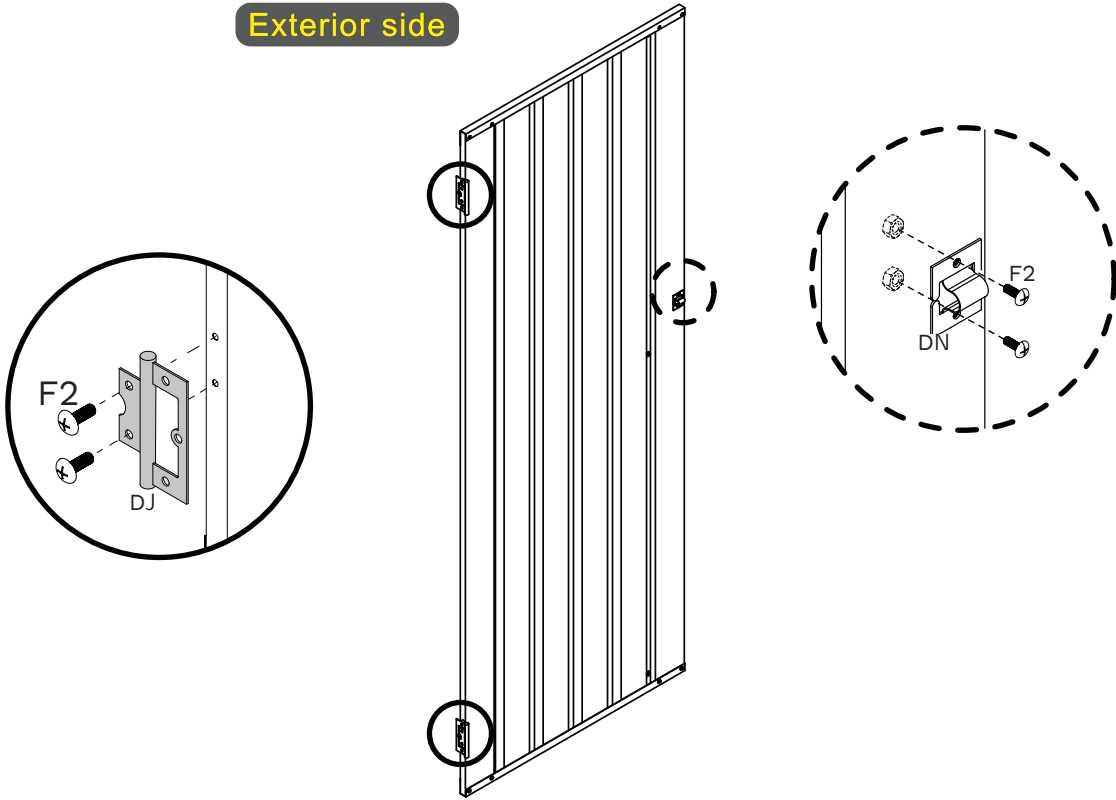
STEP 41

Interior side

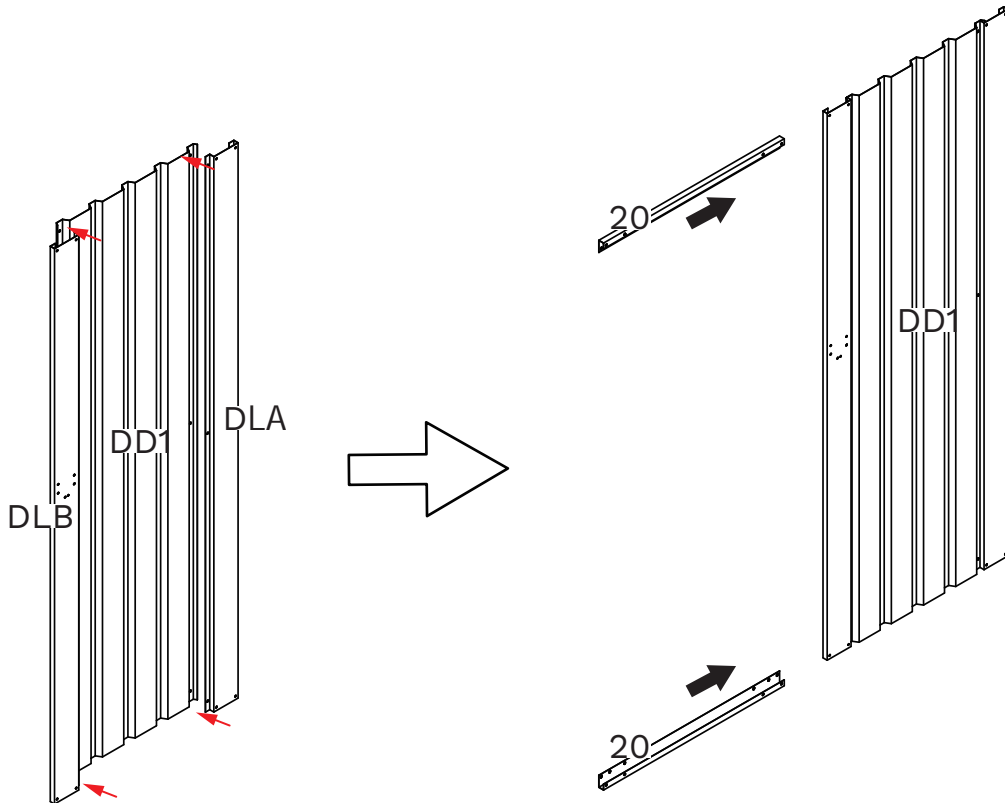


STEP 42

Exterior side



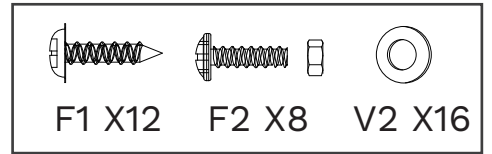
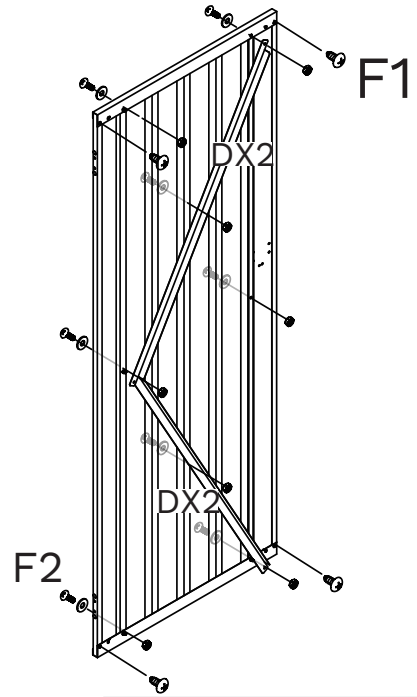
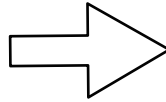
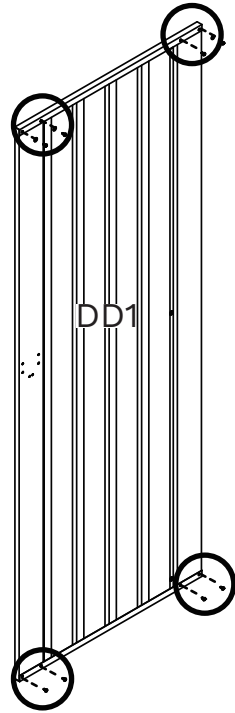
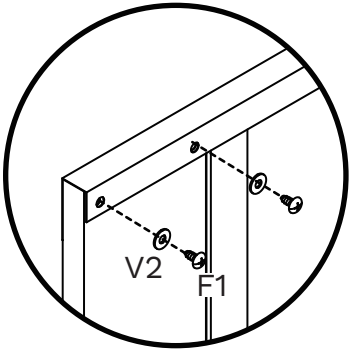
STEP 43



STEP 44

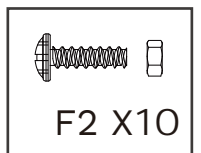
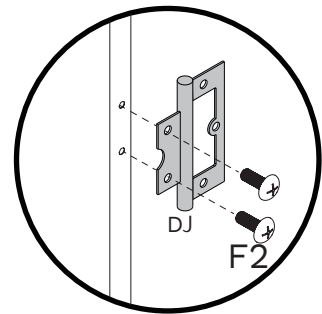
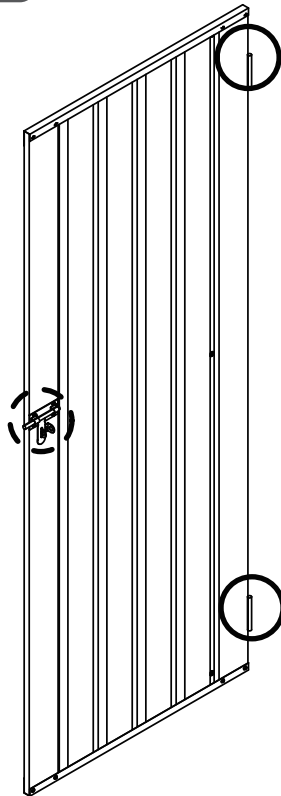
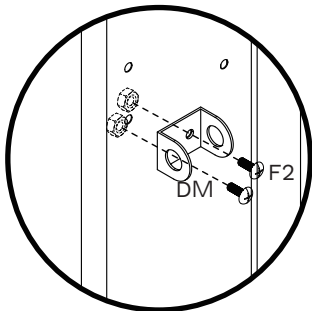
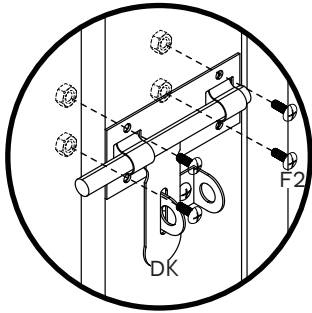
Exterior side

Interior side

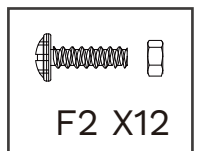
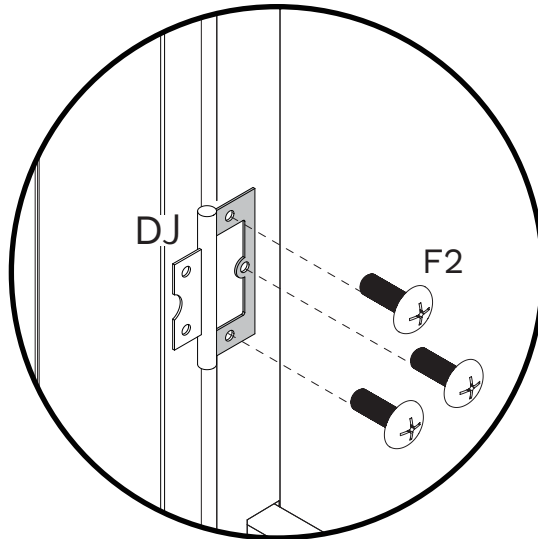
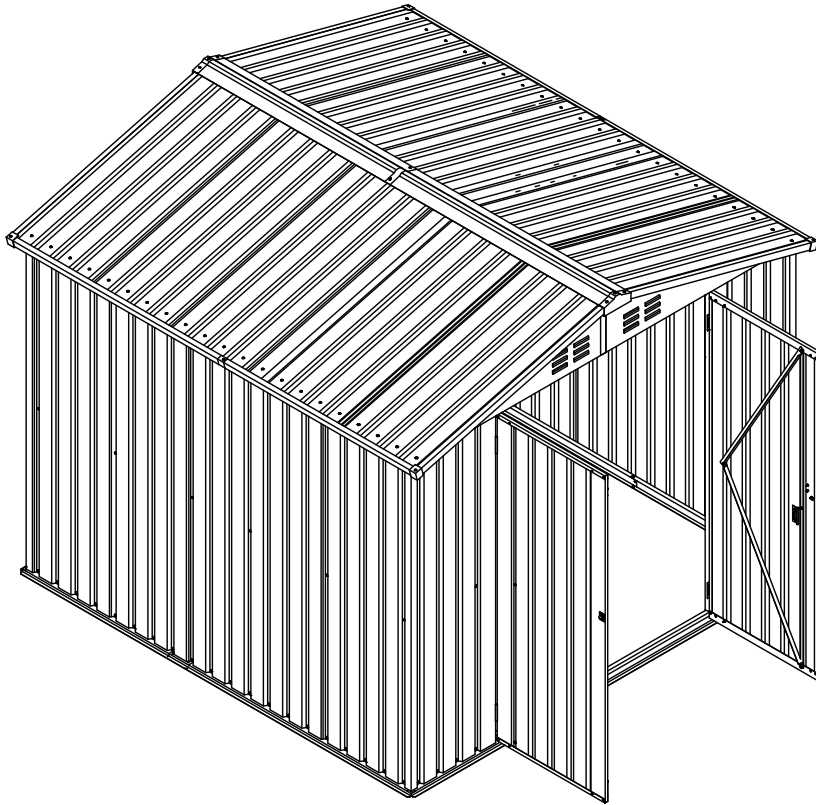


STEP 45

Exterior side



STEP 46



CARE & SAFETY

- Unsuitable for storage of flammable or corrosive substances.
- It is of utmost importance to assemble all of the parts according to the directions. Do not skip any step.
- Please consult your local authorities if any permits are required to erect shed.
- Periodically check shed to assure that it remains stable and that the site remains level.
- It is highly recommended to secure the shed to an immovable object or to the ground by drilling holes in the floor at the pre-marked locations and inserting proper screws into the ground (screws are not included).
- Wear safety-goggles and always follow the manufacturer's instructions when using power tools.
- Wash shed with garden hose or a mild detergent solution. Using a stiff brush or abrasive cleaner could damage shed.
- Hot items such as recently used grills, blowtorches, etc. Must not be stored in the shed.
- Heavy articles should not be leaned against the walls, as this may cause distortion.
- Keep roof clean of snow and leaves. Heavy amounts of snow on roof can damage the shed making it unsafe to enter.
- Although wind direction varies, it is an important factor when taking into account where to place your shed. Therefore, it is recommended to reduce wind exposure of the shed in general, and the door side in particular.
- Keep doors closed and locked to prevent wind damage.
- Do not stand on the roof.