

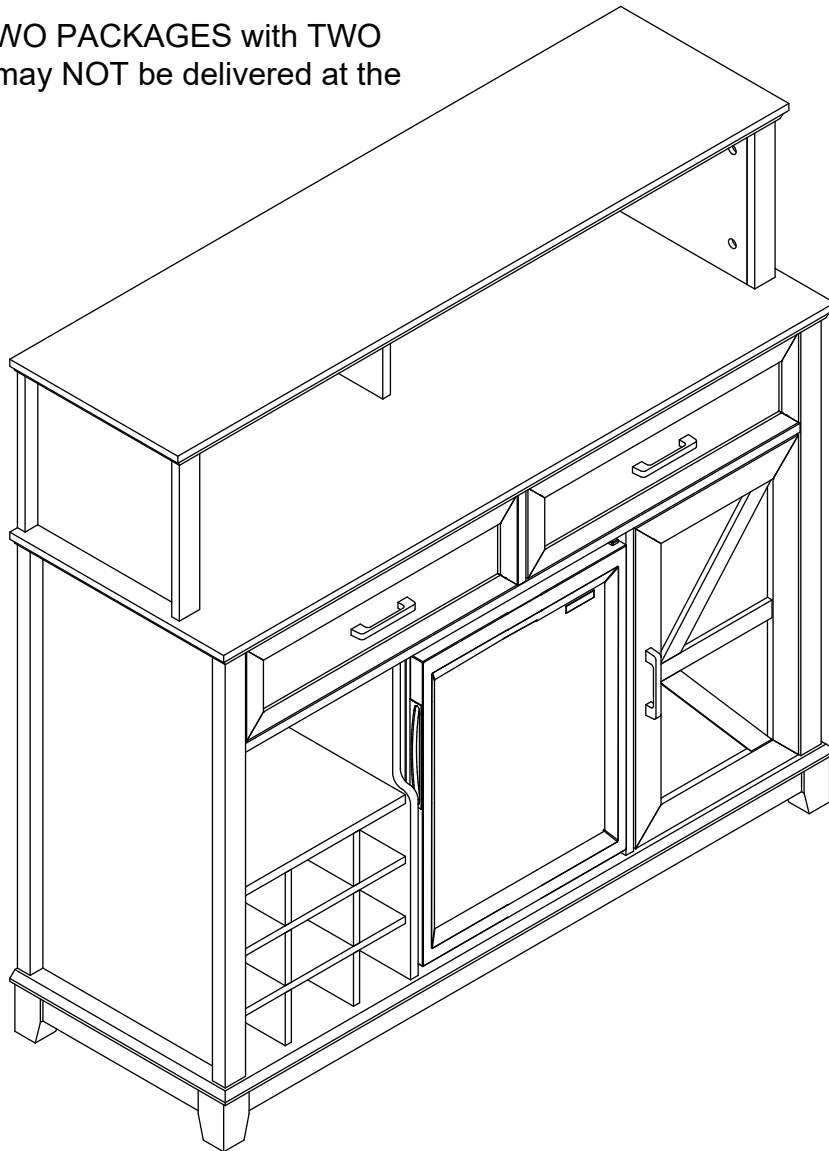
CABINET

Assembly Instructions - Please keep for future reference



NOTE:

Comes with TWO PACKAGES with TWO TRACKINGS, may NOT be delivered at the same time.



Dimensions

Width - 47.2inch

Depth - 16.5inch

Height - 45inch

Any question please feel free to contact us.

Important – Please read these instructions fully before starting assembly

Issue 2 - 20/09/2024

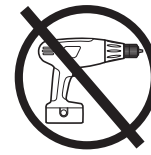


Safety and Care Advice

Important – Please read these instructions fully before starting assembly

- Check you have all the components and tools listed on the following pages.
- Remove all fittings from the plastic bags and separate them into their groups.
- Keep children and animals away from the work area, small parts could choke if swallowed.
- Make sure you have enough space to layout the parts before starting.

- During assembly do not stand or put weight on the product, this could cause damage.
- Assemble the item as close to its final position (in the same room) as possible.
- Assemble on a soft level surface to avoid damaging the unit or your floor.
- Parts of the assembly will be easier with 2 people.



- To reduce the likelihood of damaging your product please ensure that your power drill is set on a low torque setting.

Care and maintenance

- Only clean using a damp cloth and mild detergent, do not use bleach or abrasive cleaners.
- From time to time check that there are no loose screws on this unit.
- This product should not be discarded with household waste. Take to your local authority waste disposal centre.

Handy Hints

- Assemble all parts and bolts loosely during assembly, only once the product is complete should you fully tighten the bolts
- Regularly check and ensure that all bolts and fittings are tightened properly.

WARNING

In order to help prevent overturning – please follow these instructions

To help prevent product toppling over please follow the below steps:-





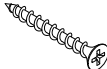








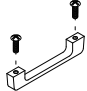

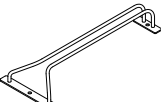
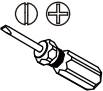
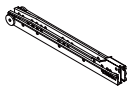

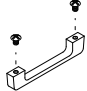
- Use the anti tip strap or wall fixing method provided (if applicable)
- Do not allow children to climb or hang on the furniture
- Do not open more than one drawer at a time
- Do not place heavy items in the top drawers
- Do not place heavy items on top of the furniture, unless the furniture has been designed for this purpose

Please note that only the anti tip strap is provided.
You will need to provide wall plugs and screws applicable for your wall type

Components - Fittings

Please check you have all the fittings listed below

Note: The quantities below are the correct amount to complete the assembly. In some cases more fittings may be supplied than are required.

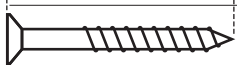
A  Cam Bolt x 72	B  Cam Lock x 72	C  6*30mm Wooden Dowel x 86
D  3.5*14mm Screw x 38	E  5*40mm Screw x 14	F  Door Stopper x 1
G  Back Panel Stiffener x 12	H  6*50mm Wooden Dowel x 8	I  Protective Foot x 4
J  Shelf Support Pin x 4	K  Adjustable Foot(Hx85mm) x 1	L  4*14mm Screw x 4
M  Hinge x 2	N  Handle & Fixings x 1	O  Wall Fixing Pack x 2
P  Stemware Rack x 2	Q  Reversible Screwdriver x 1	R  Drawer Slide x 2
S  5*50mm Screw x 6	T  Handle & Fixings x 2	

Tools required



Phillips screwdriver
(medium & large)

Ruler - Use this ruler to help correctly identify the screws



The screws length is measured from the head to the point (30mm screw shown).

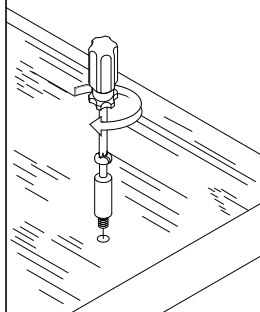
Using Camlocks

Step 1

Connect the male camlock as directed in the assembly instructions using a screwdriver.

1

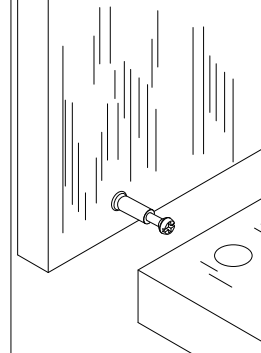
DO NOT OVER TIGHTEN.
NE PAS SERRER EXCESSIVEMENT.



Step 2

Push the male camlock into the entry hole.

2

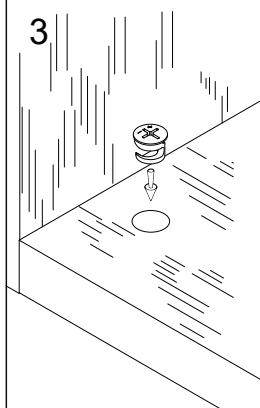


Step 3

Insert the female camlock as shown in the instructions.

Note: ensure that the arrow on the top of the camlock points towards the entry hole for the male camlock.

3



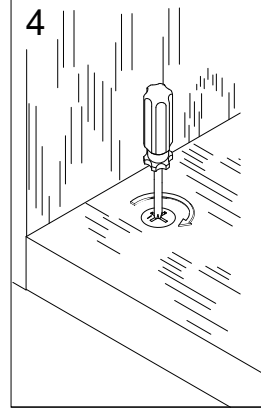
Step 4

Turn the female camlock clockwise with a screwdriver.

You should feel a click when the camlock is locked in place.

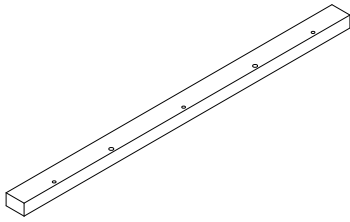
The joint is now secure.

4

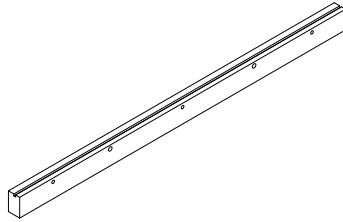


Components - Panels

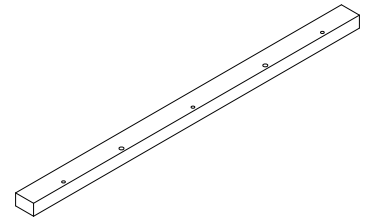
Please check you have all the panels listed below



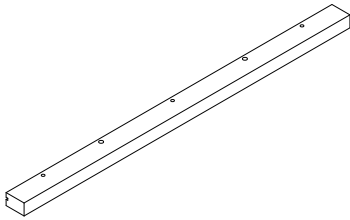
1 (4 x 72.6 x 2.5cm) x1



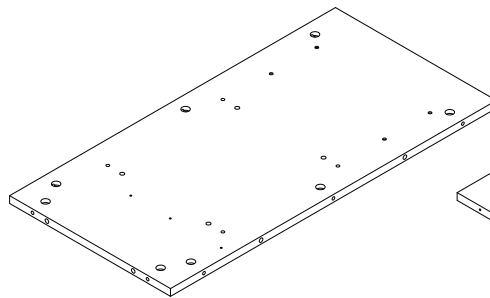
2 (4 x 72.6 x 2.5cm) x1



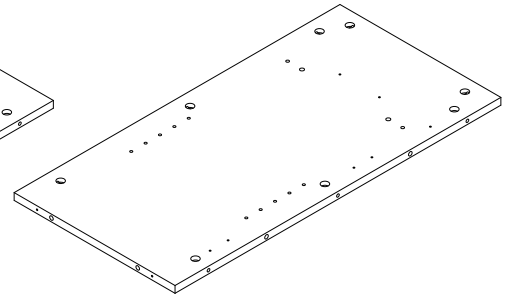
3 (4 x 72.6 x 2.5cm) x1



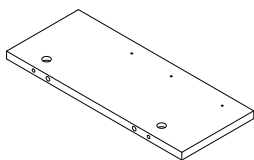
4 (4 x 72.6 x 2.5cm) x1



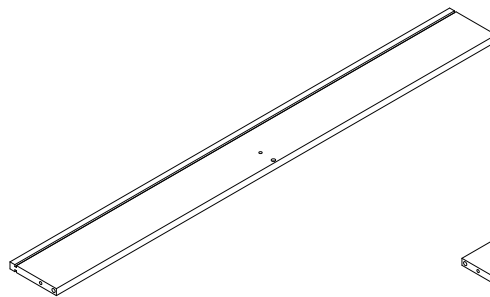
5 (35.6 x 72.6 x 1.5cm) x1



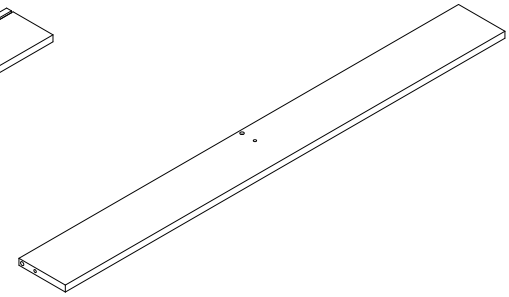
6 (35.6 x 72.6 x 1.5cm) x1



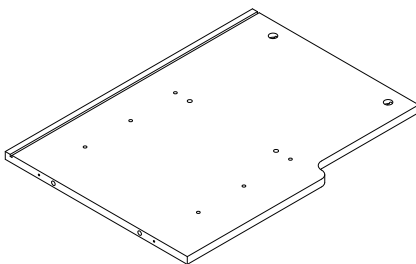
7 (16 x 38.9 x 1.5cm) x1



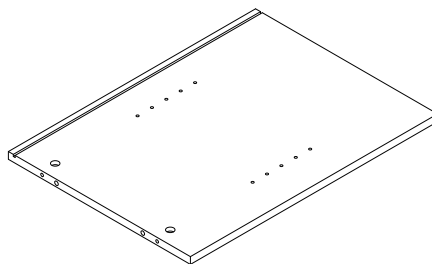
8 (11.5 x 108.9 x 1.5cm) x1



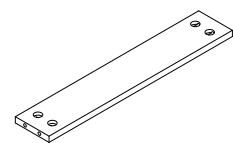
9 (11.5 x 108.9 x 1.5cm) x1



10 (40.4 x 55 x 1.5cm) x1



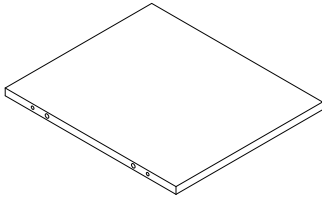
11 (40.4 x 55 x 1.5cm) x1



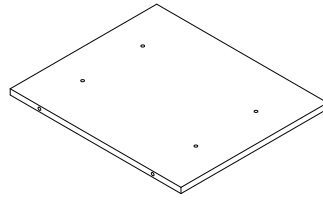
12 (7.5 x 40.8 x 1.2cm) x1

Components - Panels

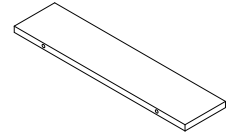
Please check you have all the panels listed below



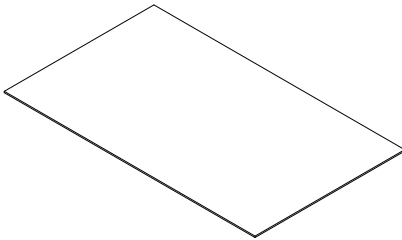
13 (38 x 32.4 x 1.5cm) x1



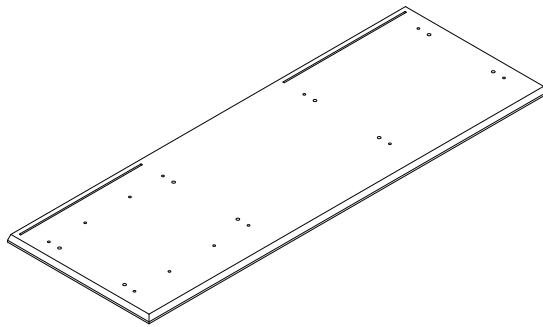
14 (38 x 32.4 x 1.2cm) x2



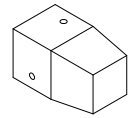
15 (9 x 37.9 x 1.2cm) x6



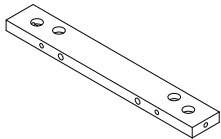
16 (33.2 x 55.9 x 0.27cm) x2



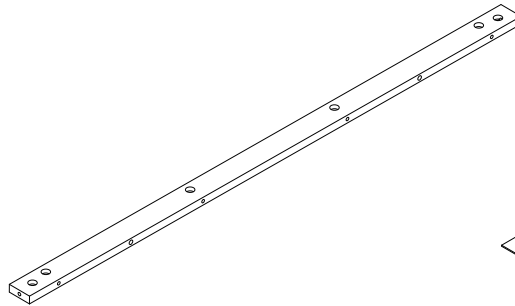
17 (42 x 120 x 1.5cm) x1



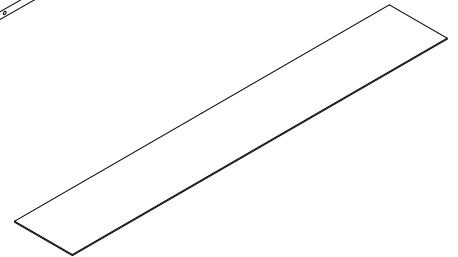
18 (5 x 8.5 x 5cm) x4



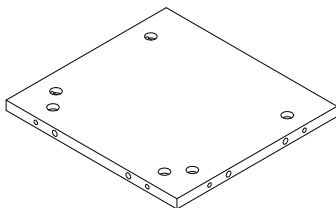
19 (4.5 x 31 x 1.5cm) x2



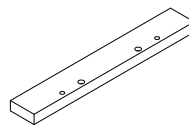
20 (4.5 x 109 x 1.5cm) x2



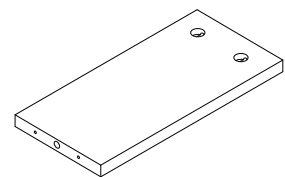
21 (16.8 x 109.7 x 0.27cm) x1



22 (28.6 x 27 x 1.5cm) x2



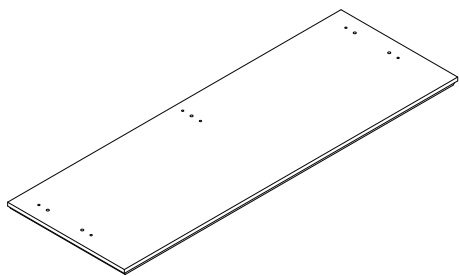
23 (4 x 27 x 1.5cm) x4



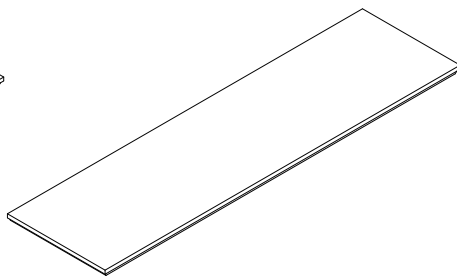
24 (12.4 x 27 x 1.5cm) x1

Components - Panels

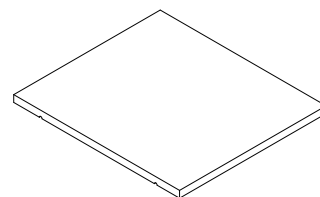
Please check you have all the panels listed below



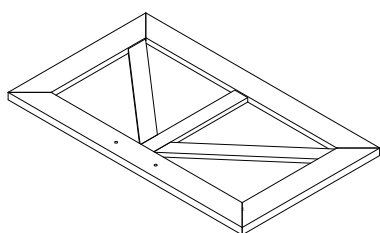
25 (42 x 120 x 2.4cm) x1



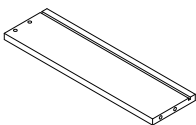
26 (33 x 120 x 2.4cm) x1



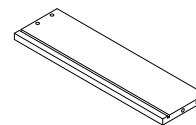
27 (37 x 32.3 x 1.5cm) x1



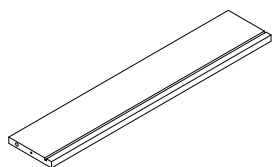
28 (31.8 x 54.4 x 1.5cm) x1



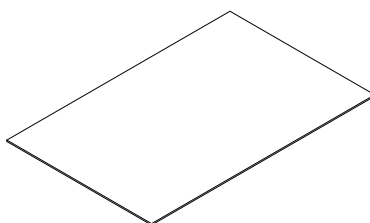
29 (9.5 x 33 x 1.2cm) x2



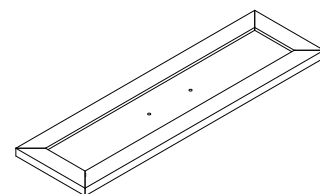
30 (9.5 x 33 x 1.2cm) x2



31 (9.5 x 48.8 x 1.2cm) x2

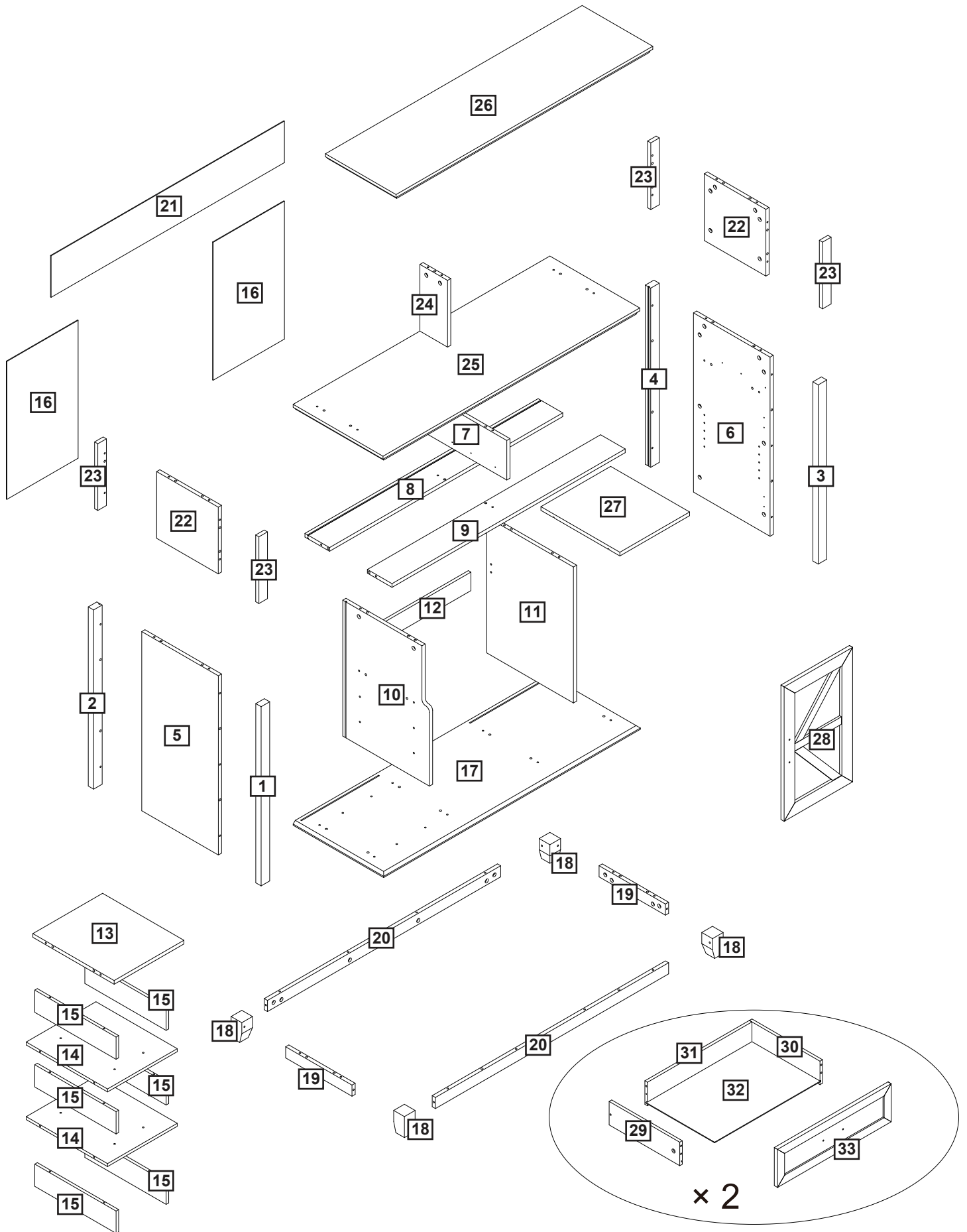


32 (32.5 x 49.6 x 0.27cm) x2



33 (15.4 x 53.1 x 1.5cm) x2

Assembly Instructions

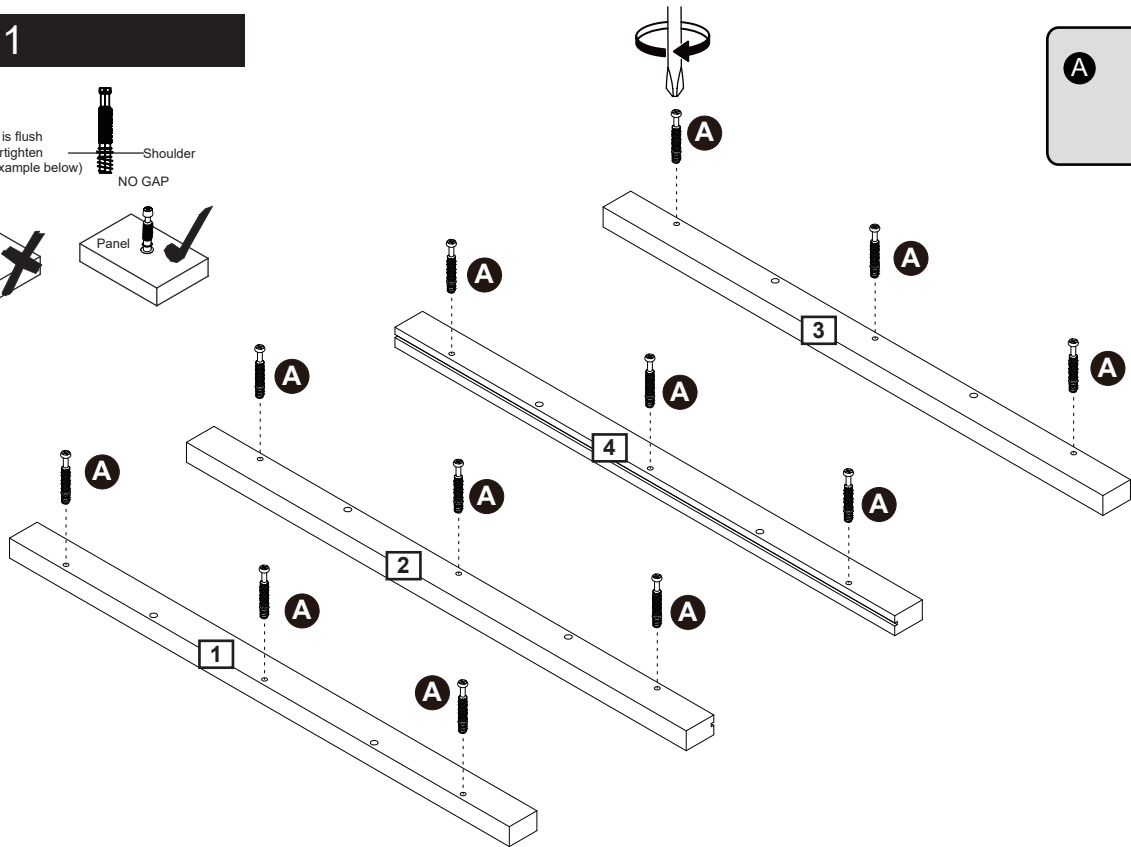
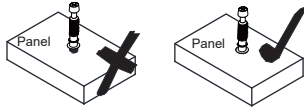
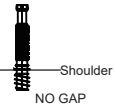


Assembly Instructions

Step 1

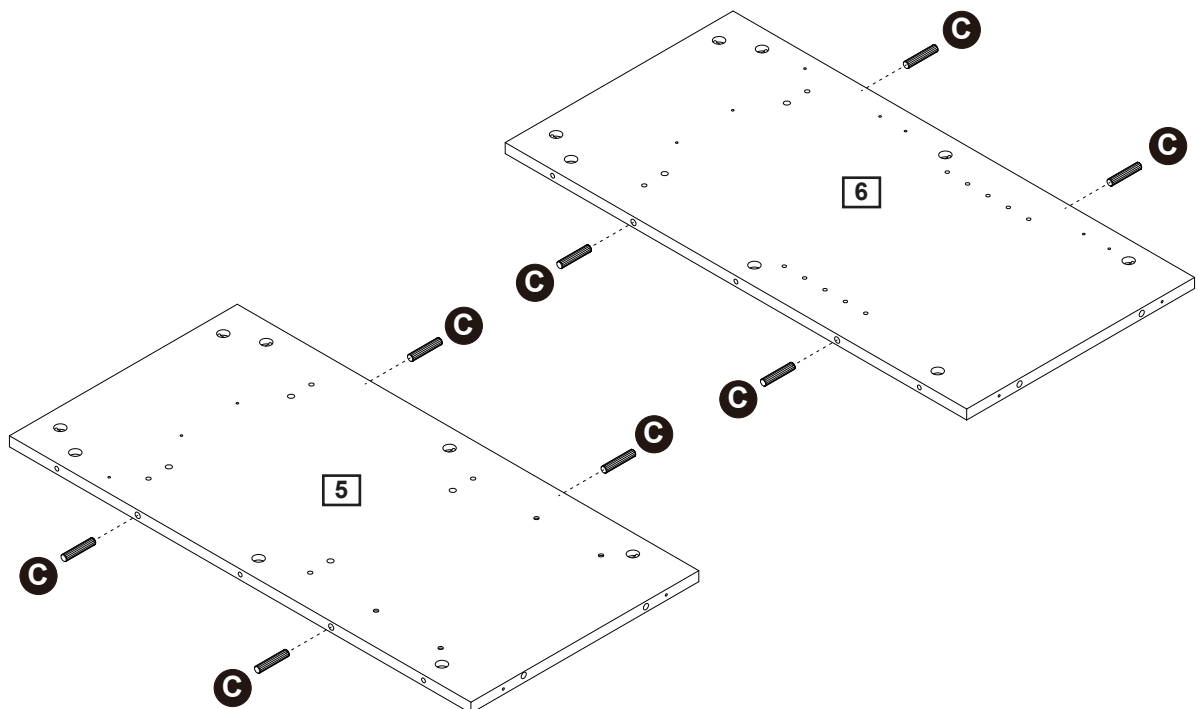
CAM-LOCK

Tighten until shoulder is flush with panel. Do not overtighten or undertighten (see example below)



Attach cam bolt (A) to part (1, 2, 3, 4) with a screwdriver.

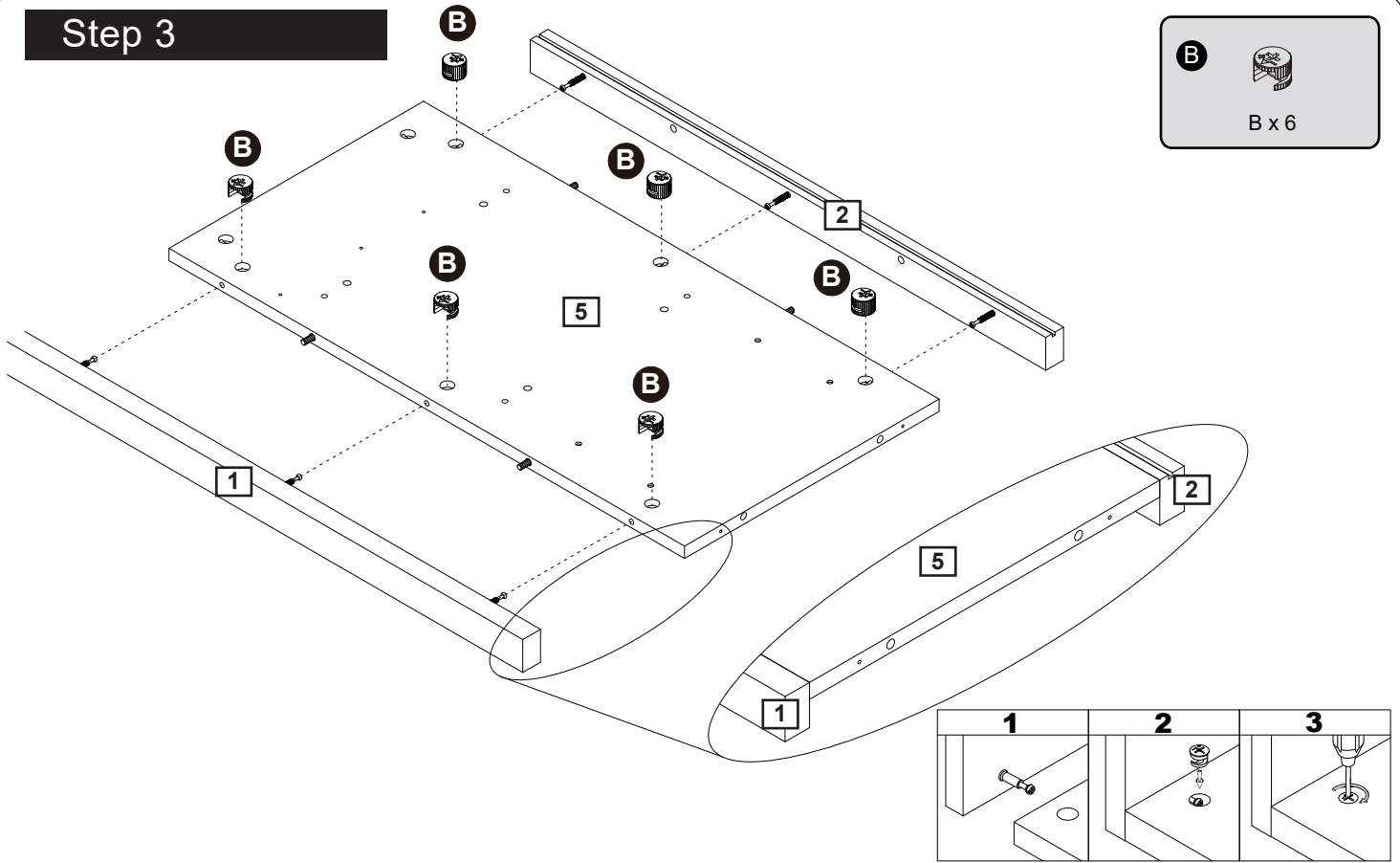
Step 2



Insert wooden dowel (C) into part (5, 6).

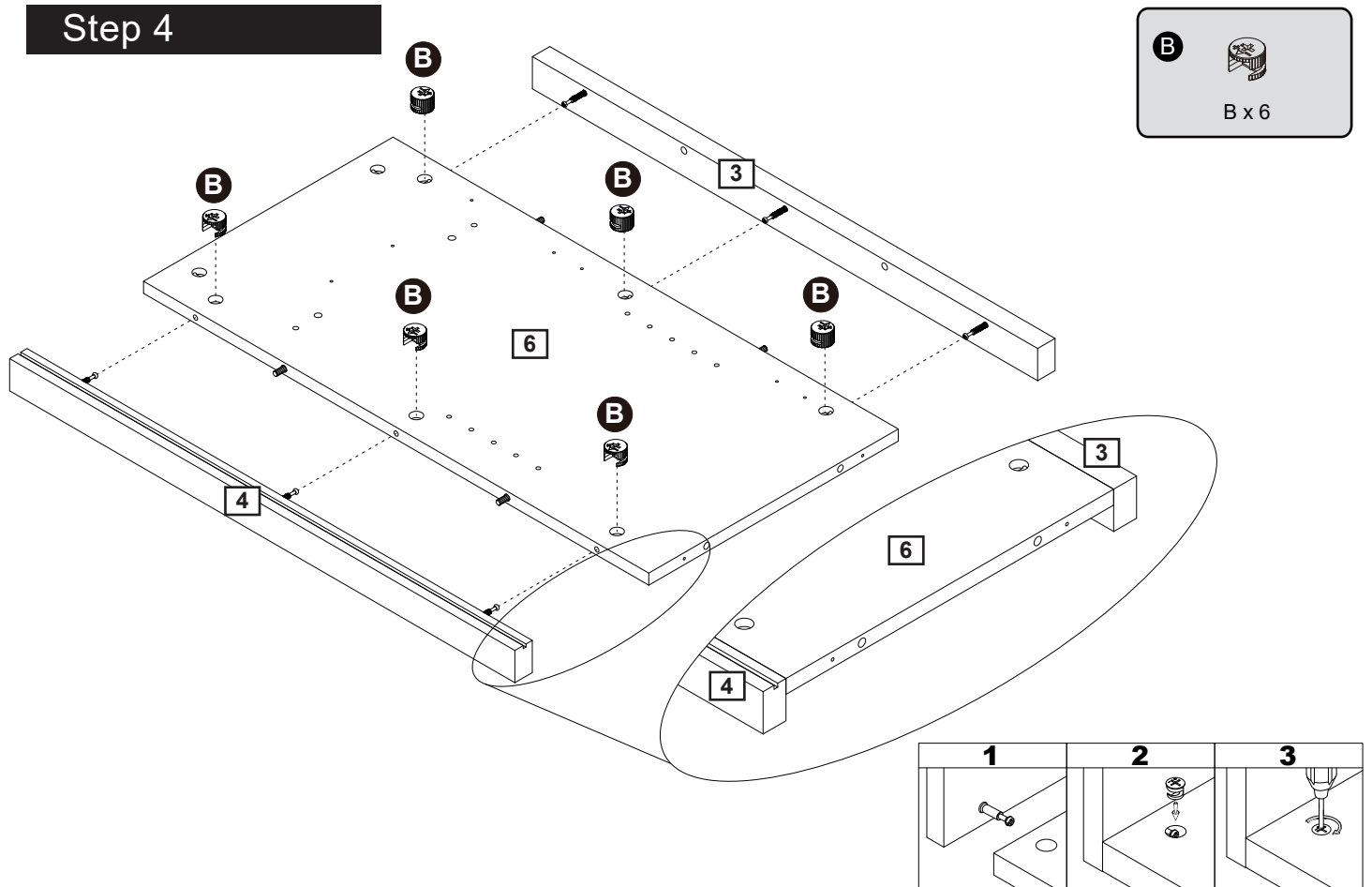
Assembly Instructions

Step 3



Attach part (1, 2) to part (5), then insert and secure cam lock (B) to part (5) to lock it.

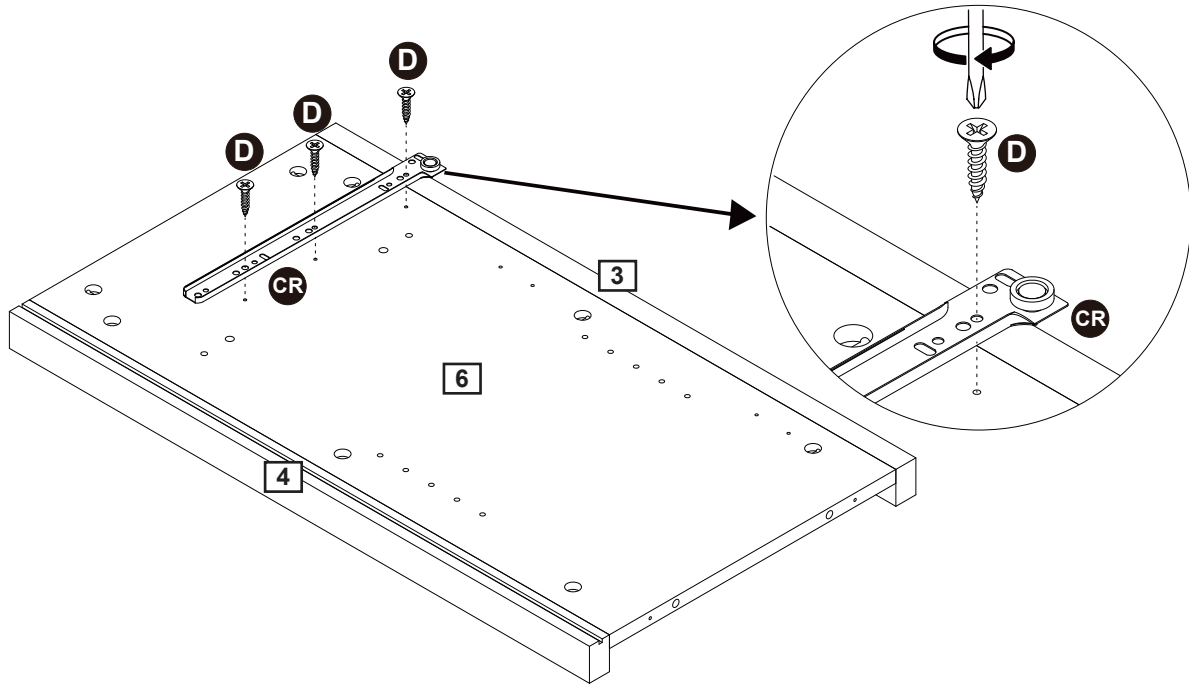
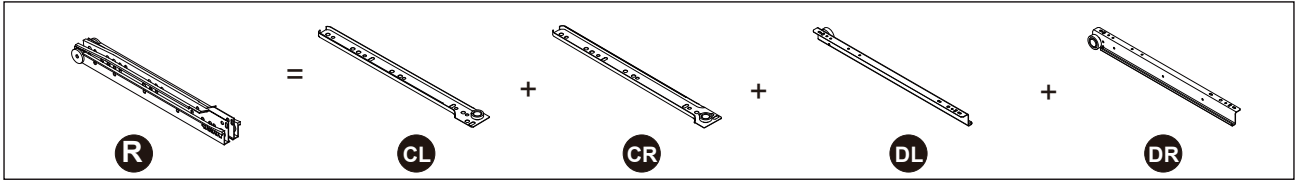
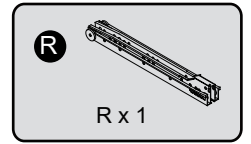
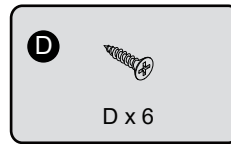
Step 4



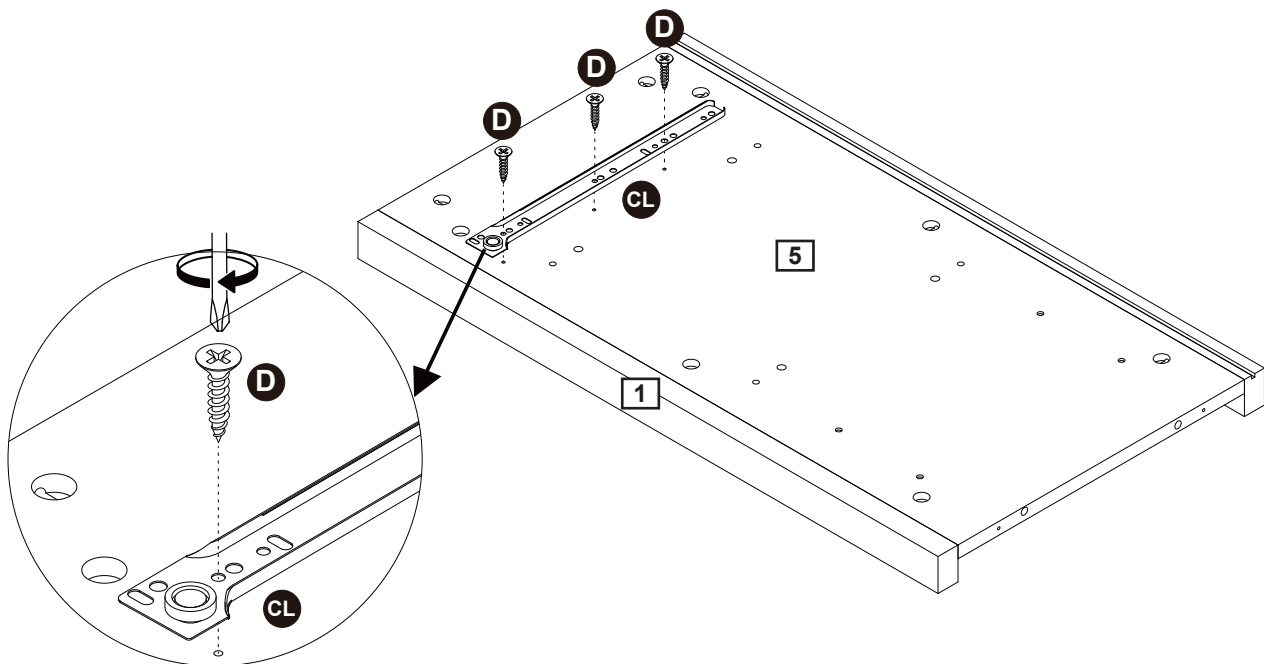
Attach part (3, 4) to part (6), then insert and secure cam lock (B) to part (6) to lock it.

Assembly Instructions

Step 5



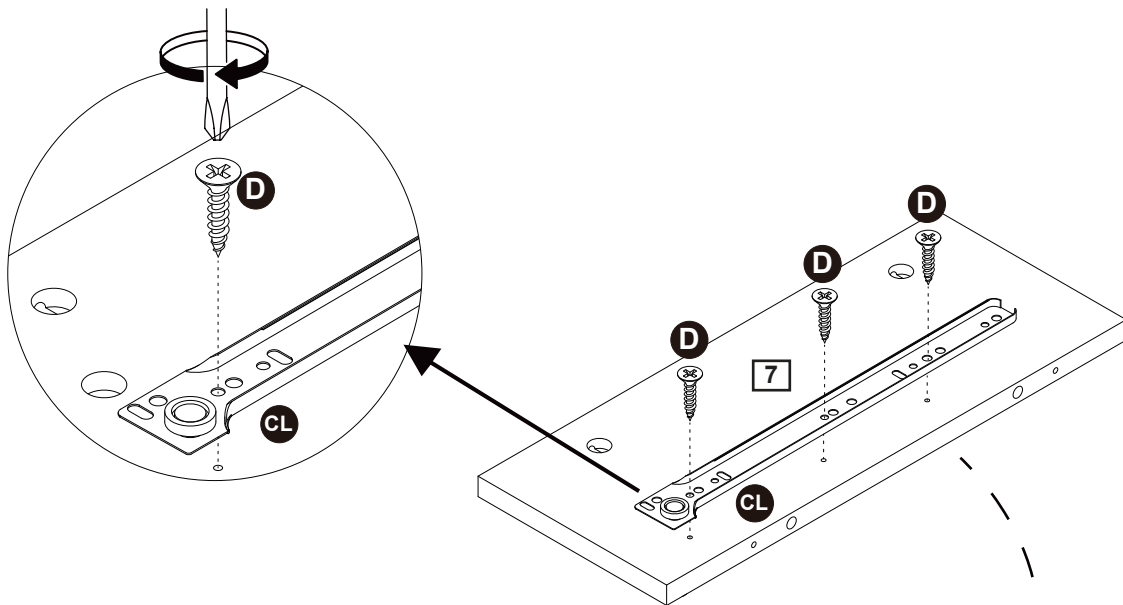
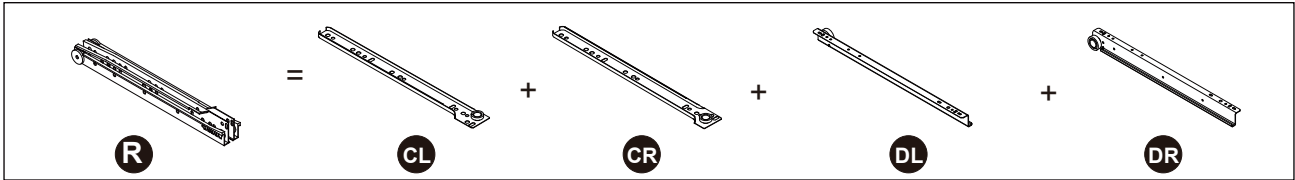
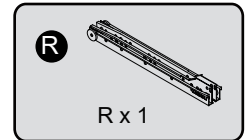
Use screw (D) to secure slide track (CR) to part (6) with a screwdriver.



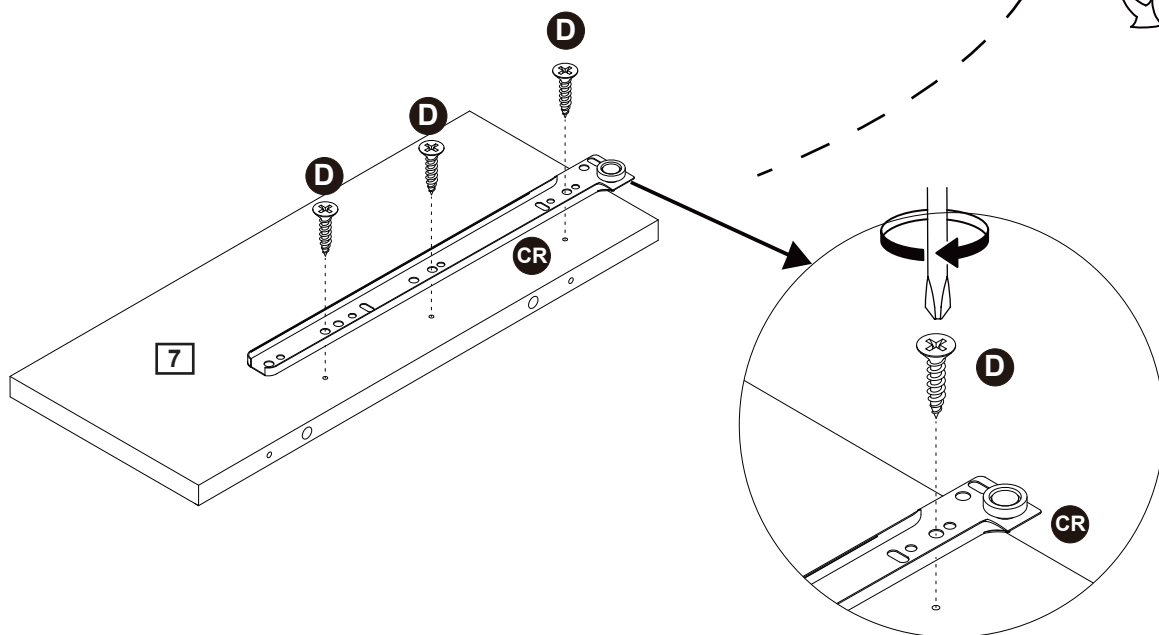
Use screw (D) to secure slide track (CL) to part (5) with a screwdriver.

Assembly Instructions

Step 6



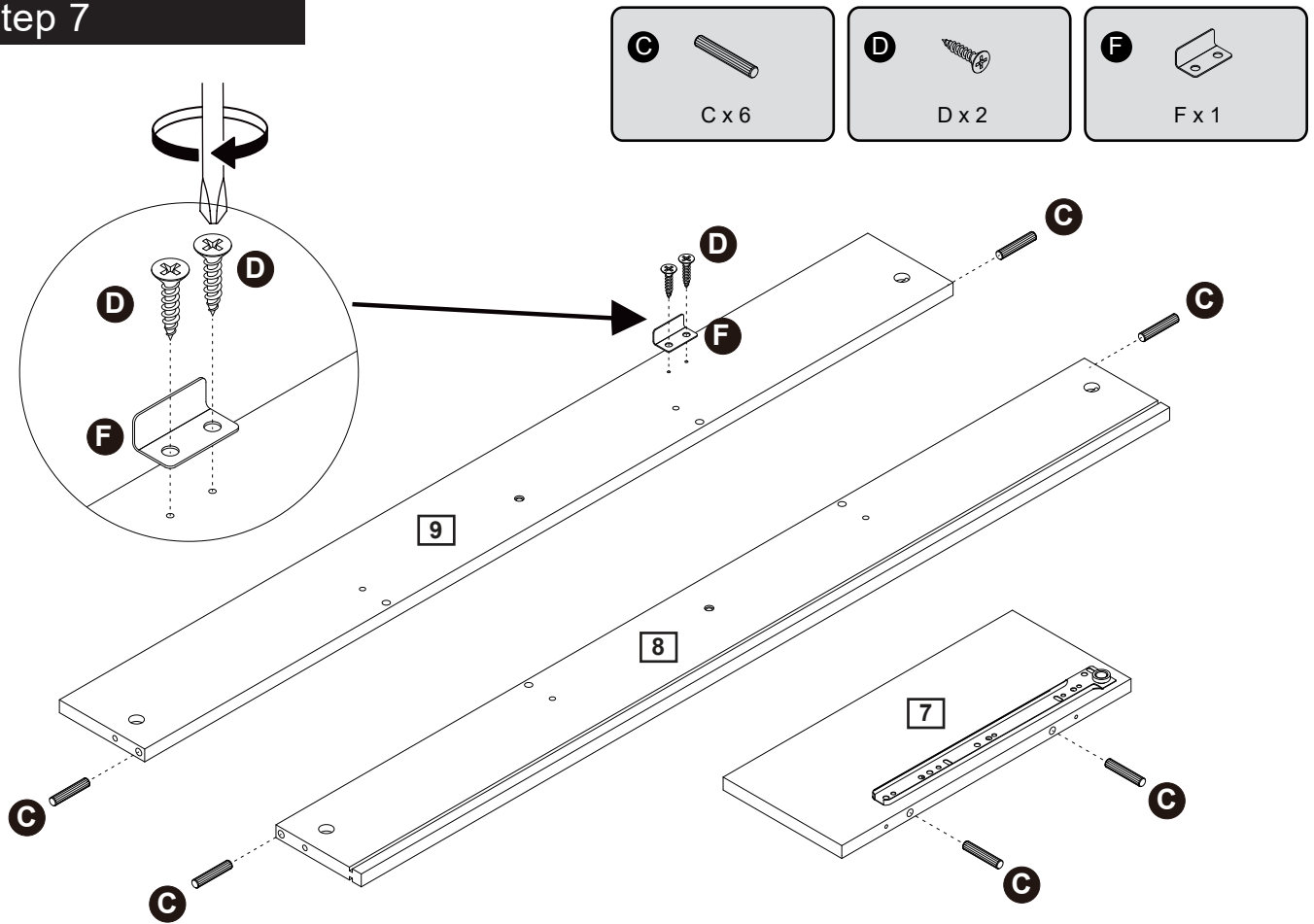
Use screw (D) to secure slide track (CL) to part (7) with a screwdriver.



Use screw (D) to secure slide track (CR) to part (7) with a screwdriver.

Assembly Instructions

Step 7



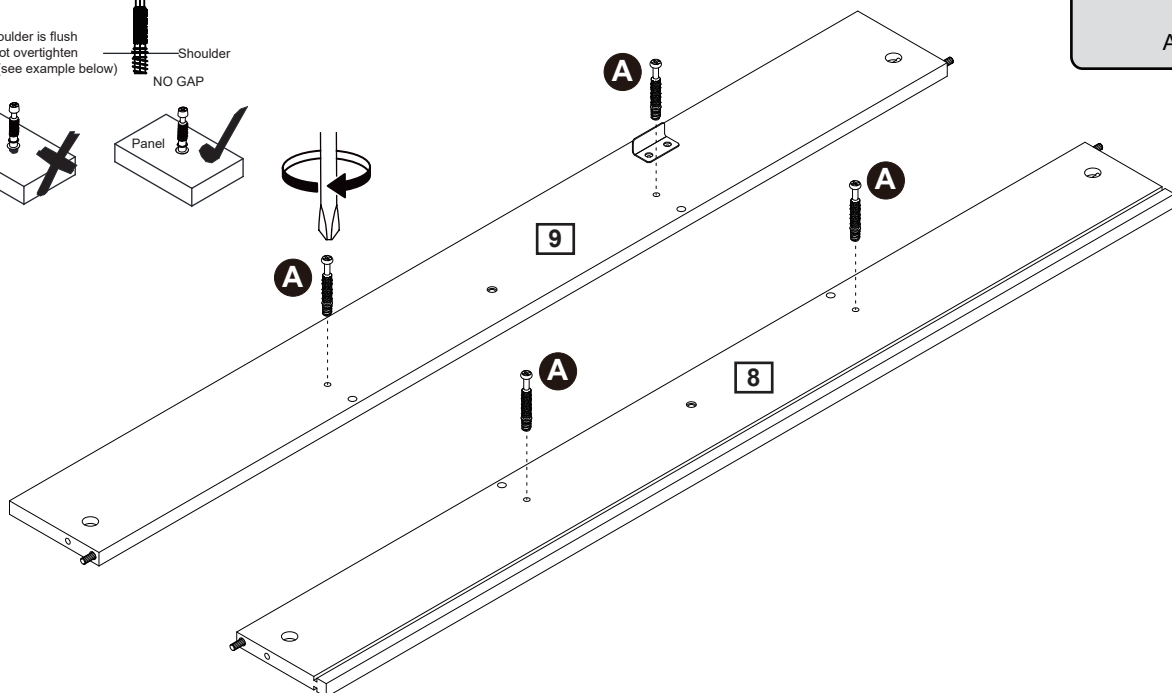
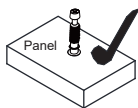
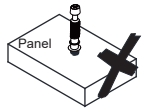
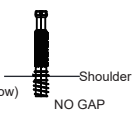
Insert wooden dowel (C) into part (7, 8, 9).

Attach door stopper (F) to part (9) using screw (D) with a screwdriver.

Step 8

CAM-LOCK

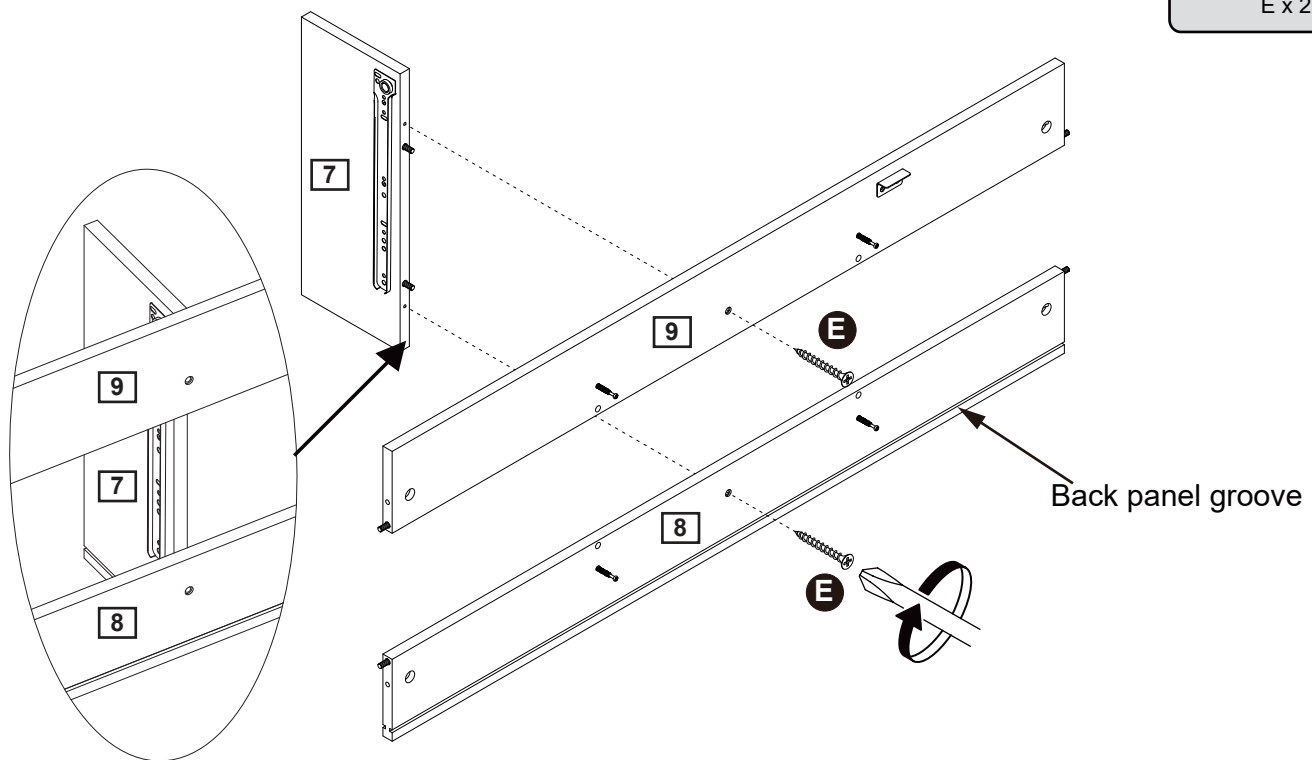
Tighten until shoulder is flush with panel. Do not overtighten or undertighten (see example below)



Attach cam bolt (A) to part (8, 9) with a screwdriver.

Assembly Instructions

Step 9

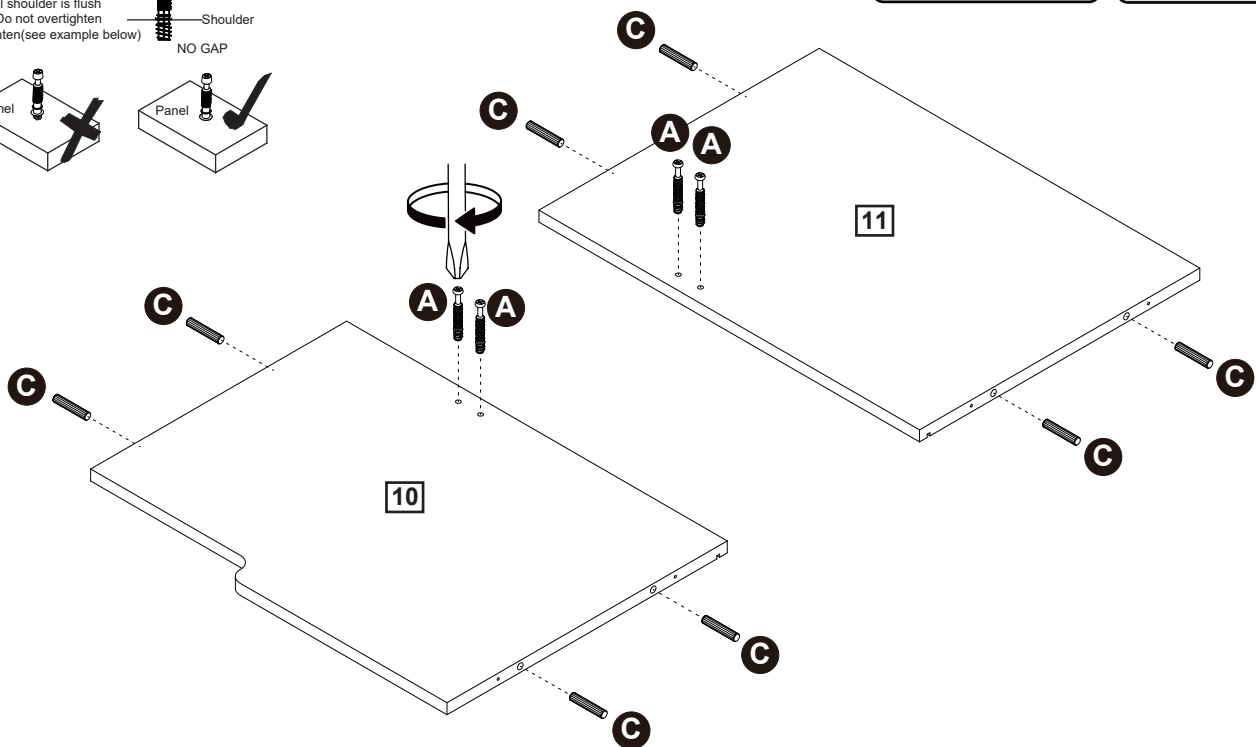
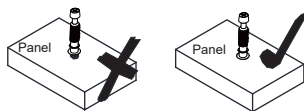
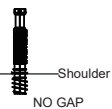


Attach part (7) to part (8, 9) using screw (E) with a screwdriver.

Step 10

CAM-LOCK

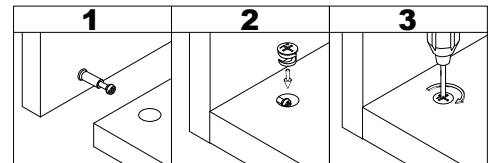
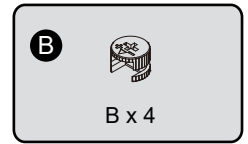
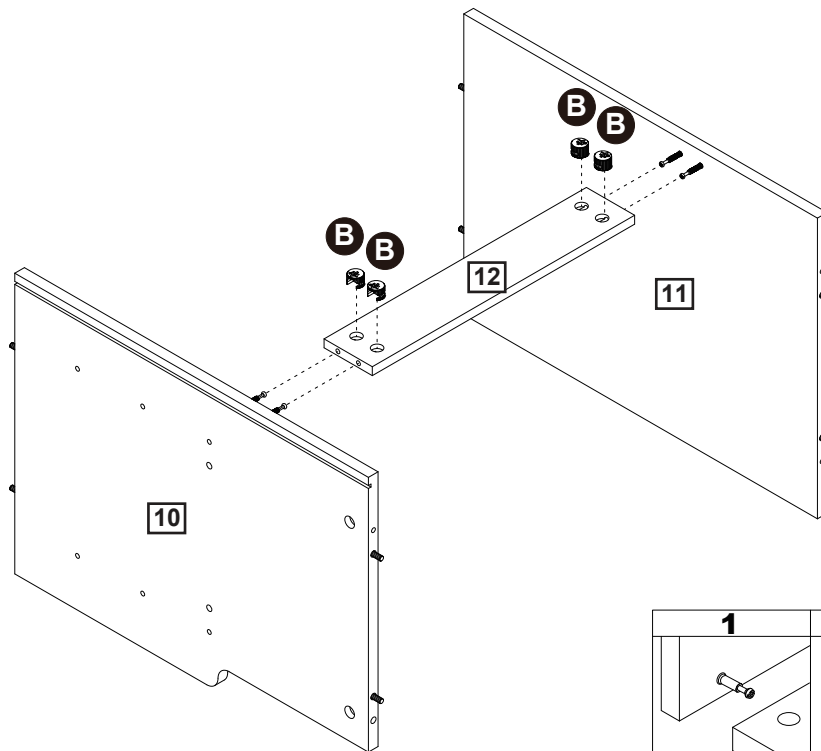
Tighten until shoulder is flush with panel. Do not overtighten or undertighten (see example below).



Attach cam bolt (A) to part (10, 11) with a screwdriver.
Insert wooden dowel (C) into part (10, 11).

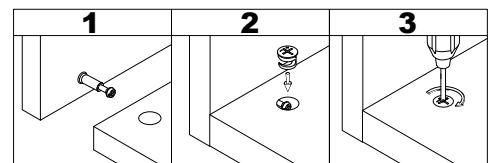
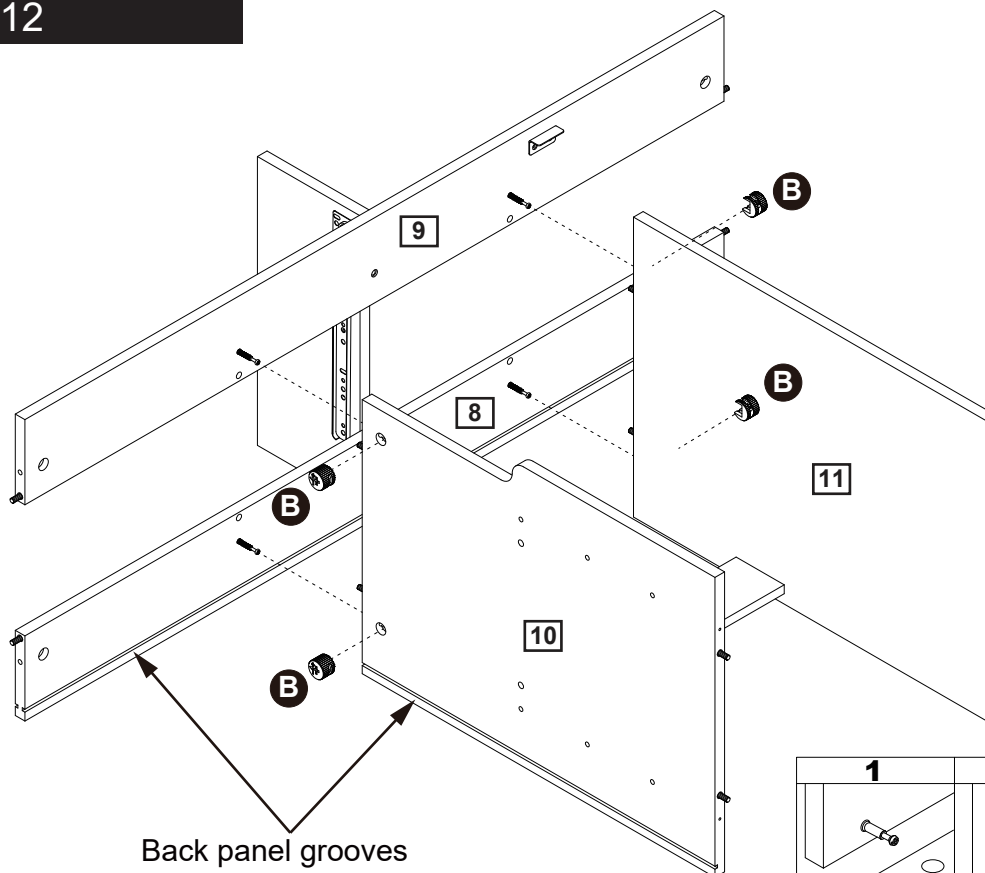
Assembly Instructions

Step 11



Attach part (10, 11) to part (12), then insert and secure cam lock (B) to part (12) to lock it.

Step 12



Back panel grooves

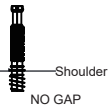
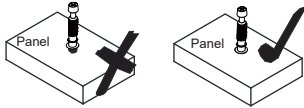
Attach part (10, 11) to part (8, 9), then insert and secure cam lock (B) to part (10, 11) to lock it. 14

Assembly Instructions

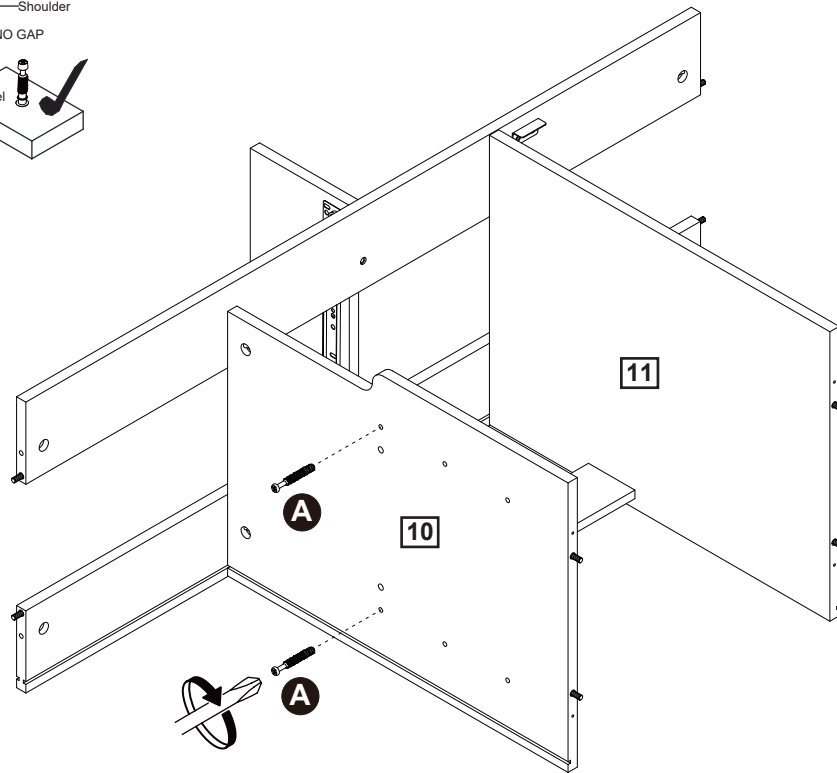
Step 13

CAM-LOCK

Tighten until shoulder is flush with panel. Do not overtighten or undertighten (see example below)



A x 2

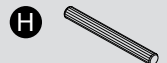


Attach cam bolt (A) to part (10) with a screwdriver.

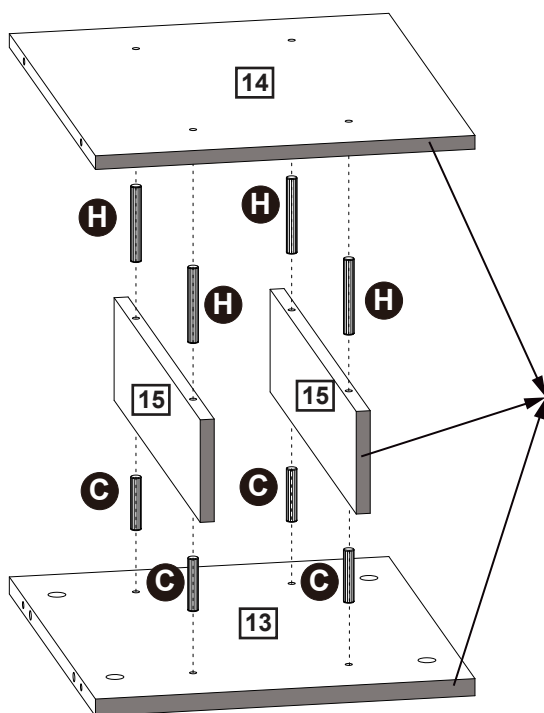
Step 14



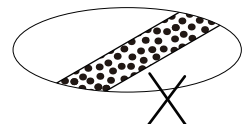
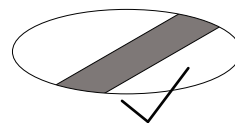
C x 4



H x 4



Finished edge



Finished edge



6 x 30mm

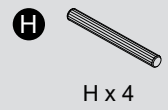
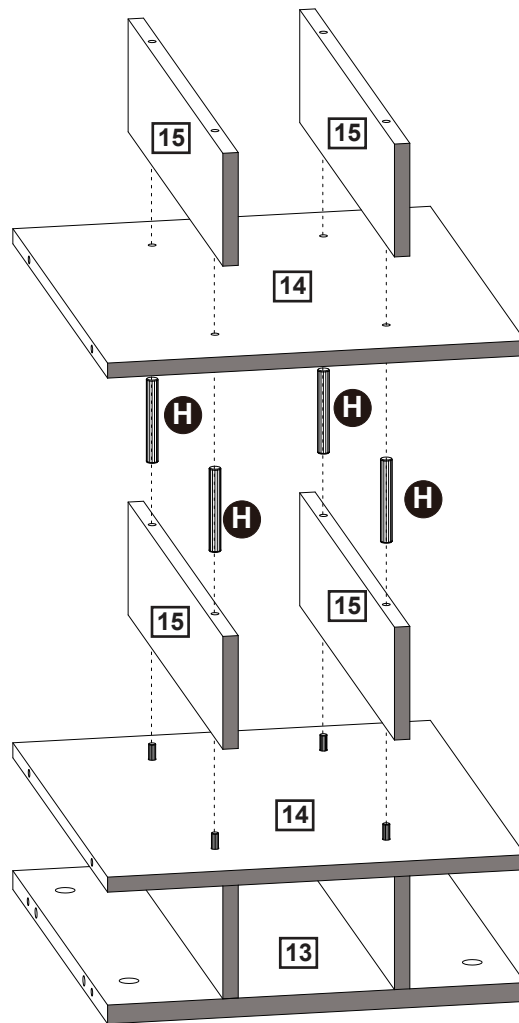


6 x 50mm

Insert wooden dowel (C, H) into part (15), then attach part (13, 14) to part (15).

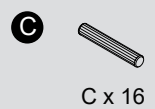
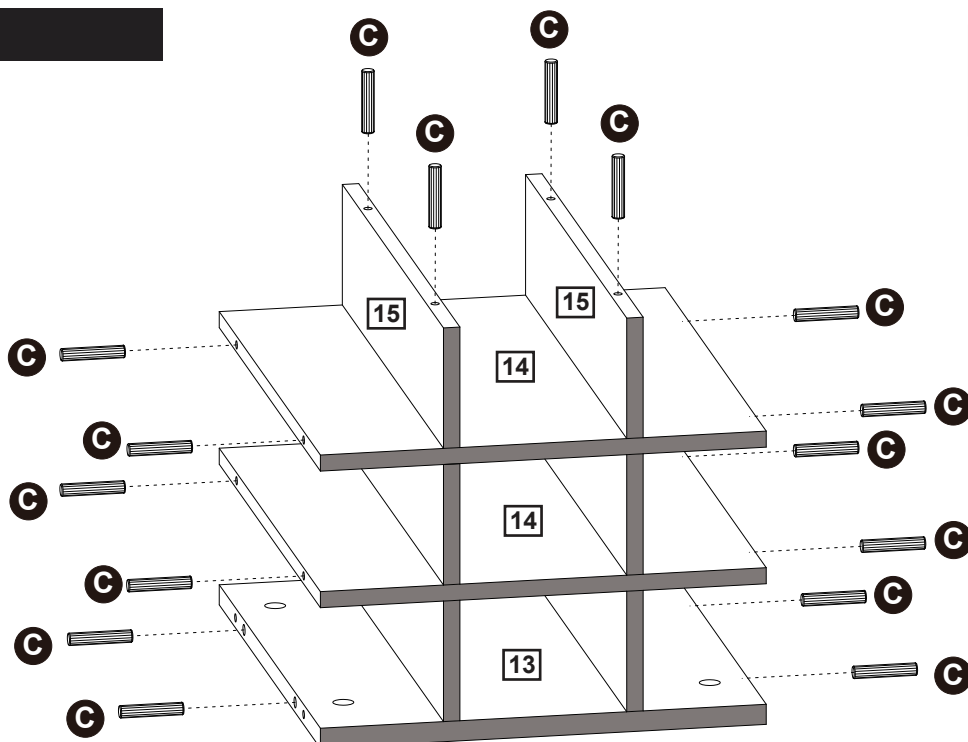
Assembly Instructions

Step 15



Insert wooden dowel (H) into part (15), and connect part (14) and (15) as per diagram.

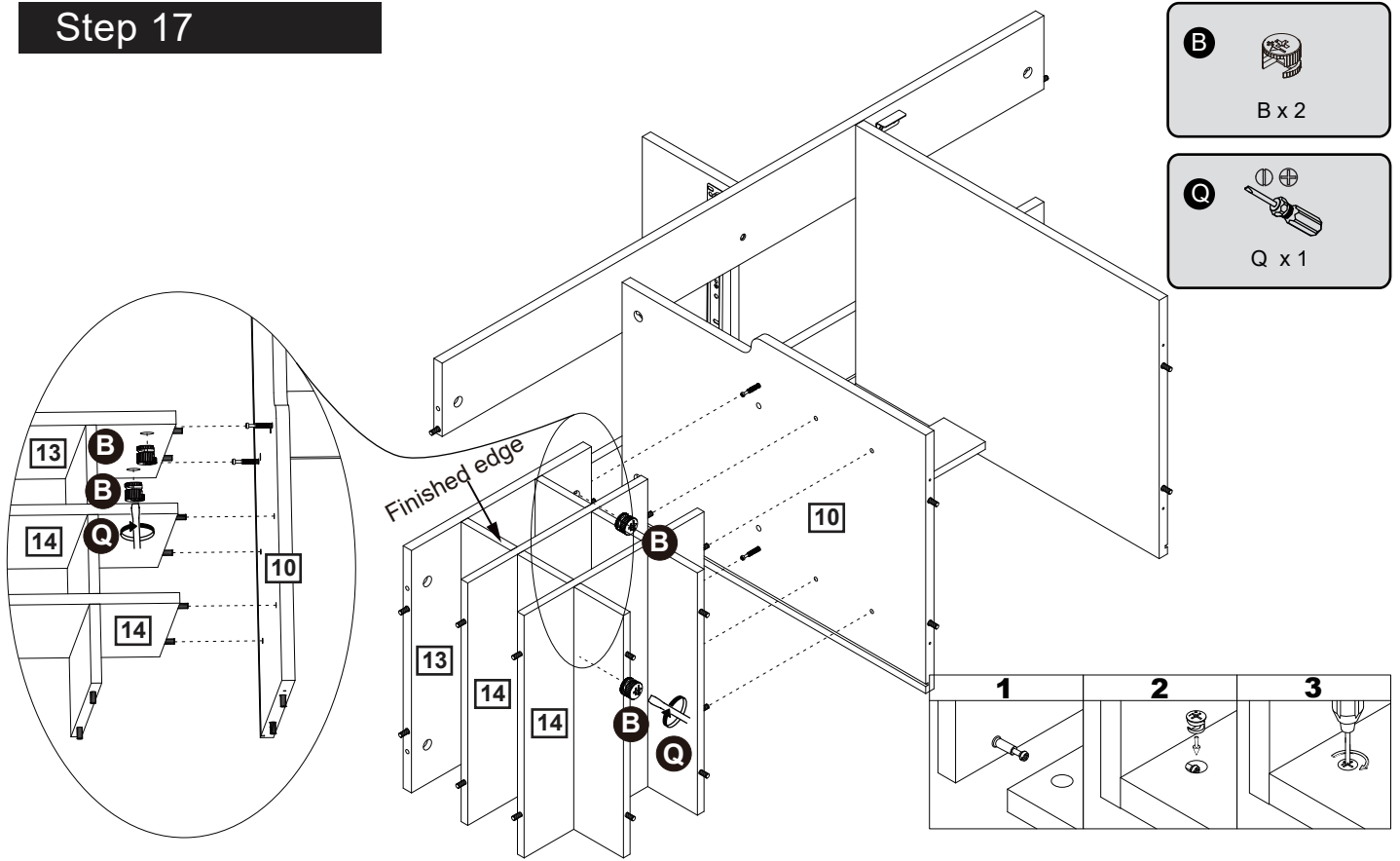
Step 16



Insert wooden dowel (C) into part (13, 14, 15).

Assembly Instructions

Step 17

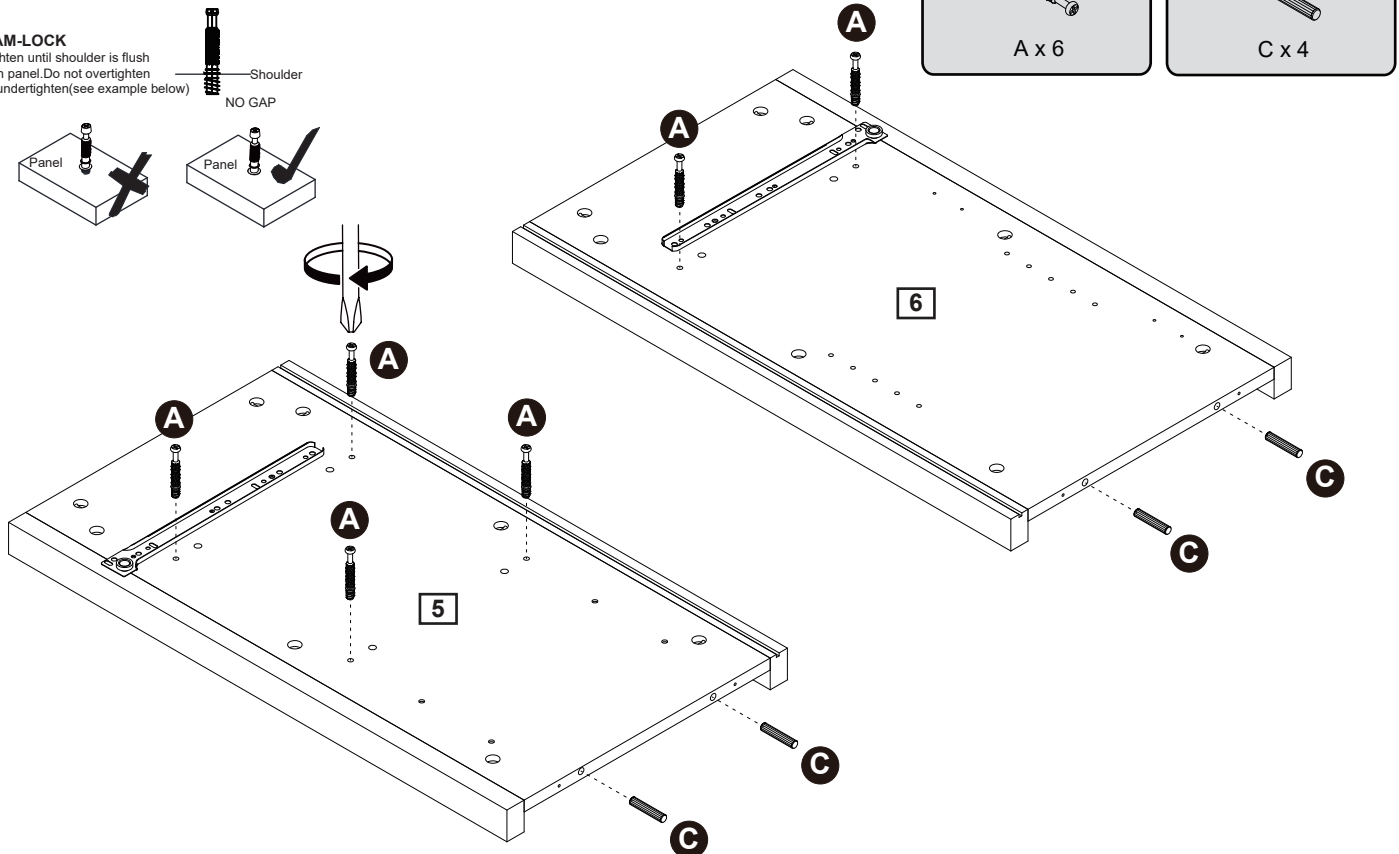
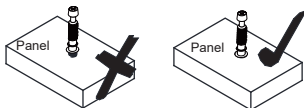
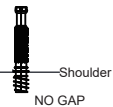


Attach part (13, 14) to part (10), then insert and secure cam lock (B) to part (13) to lock it.

Step 18

CAM-LOCK

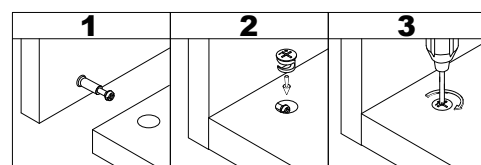
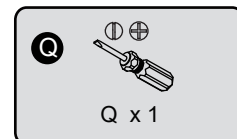
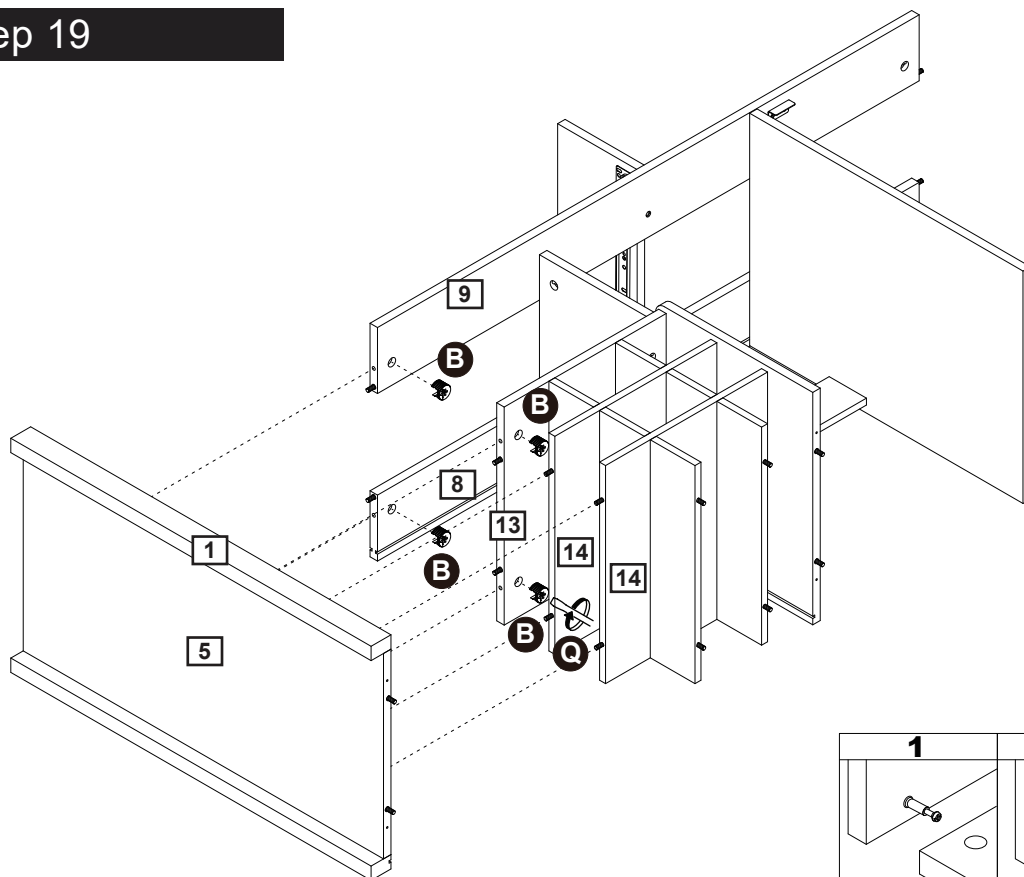
Tighten until shoulder is flush with panel. Do not overtighten or undertighten (see example below)



Attach cam bolt (A) to part (5, 6) with a screwdriver.
Insert wooden dowel (C) into part (5, 6).

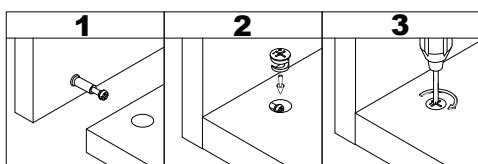
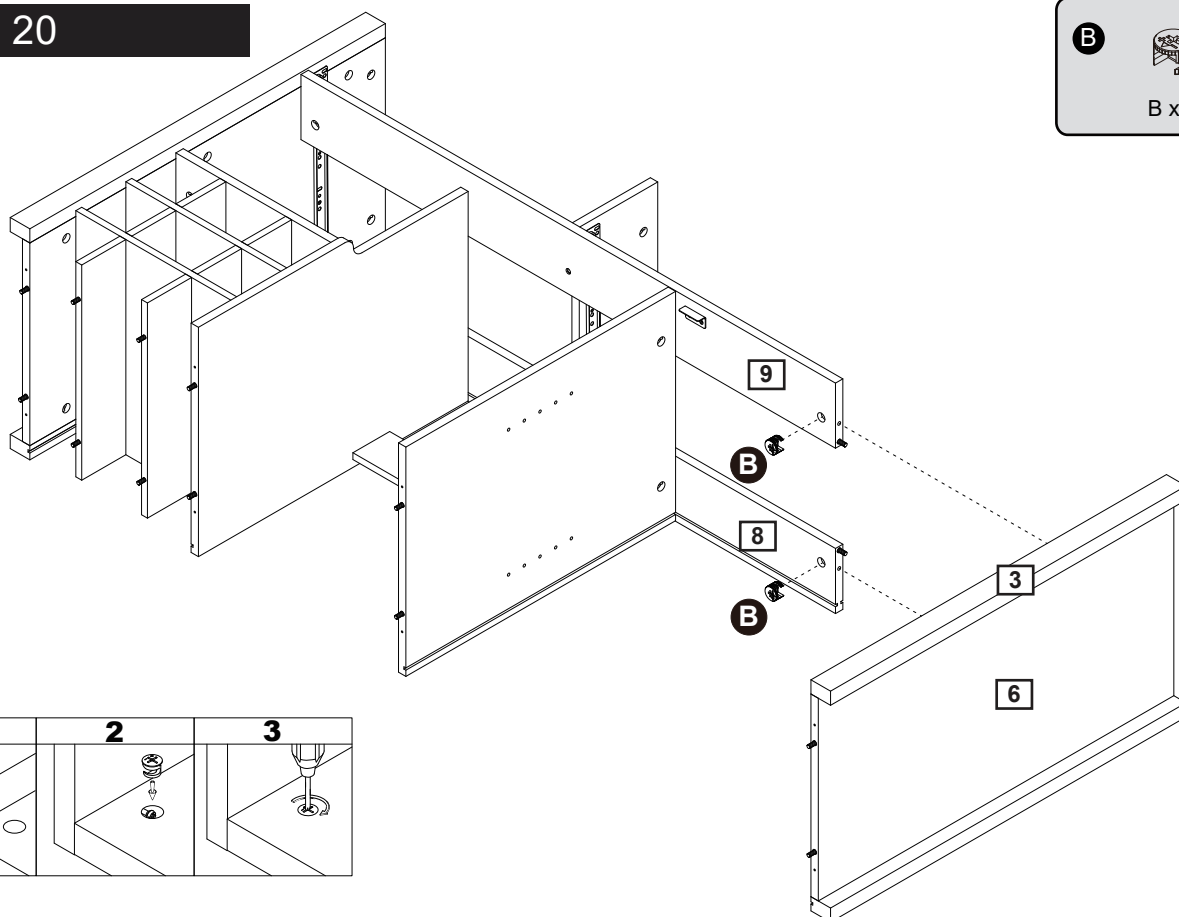
Assembly Instructions

Step 19



Attach part (5) to part (8, 9, 13, 14), then insert and secure cam lock (B) to part (8, 9, 13) to lock it.

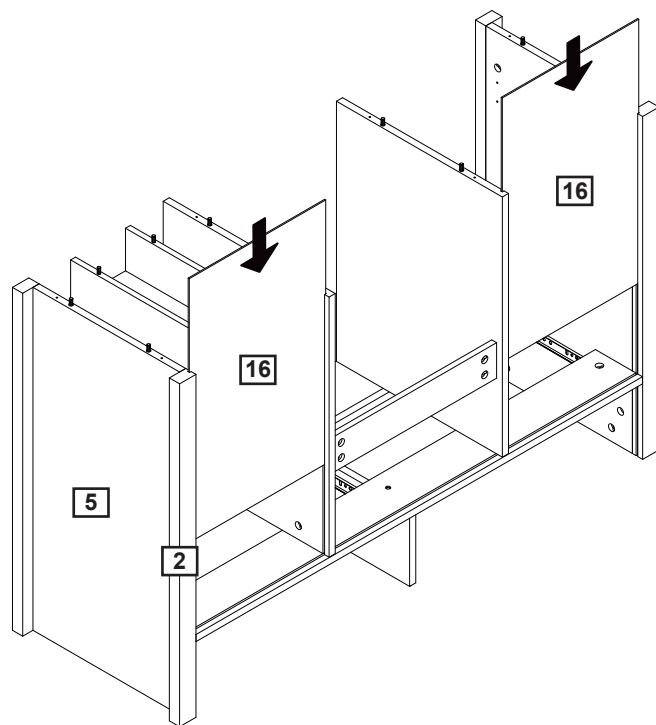
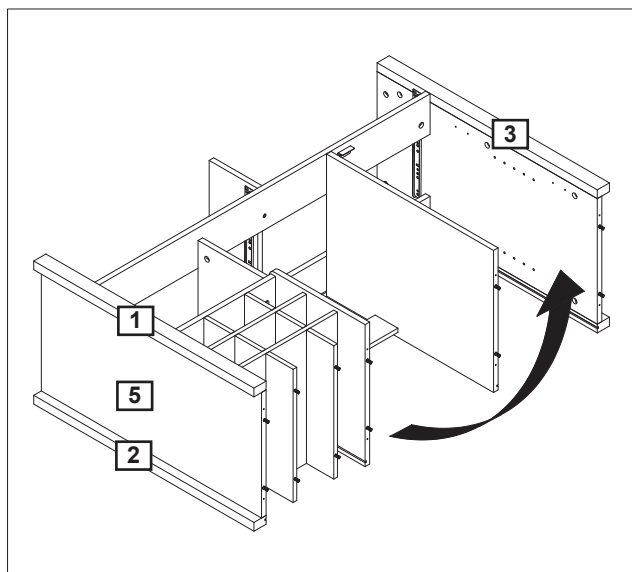
Step 20



Attach part (6) to part (8, 9), then insert and secure cam lock (B) to part (8, 9) to lock it.

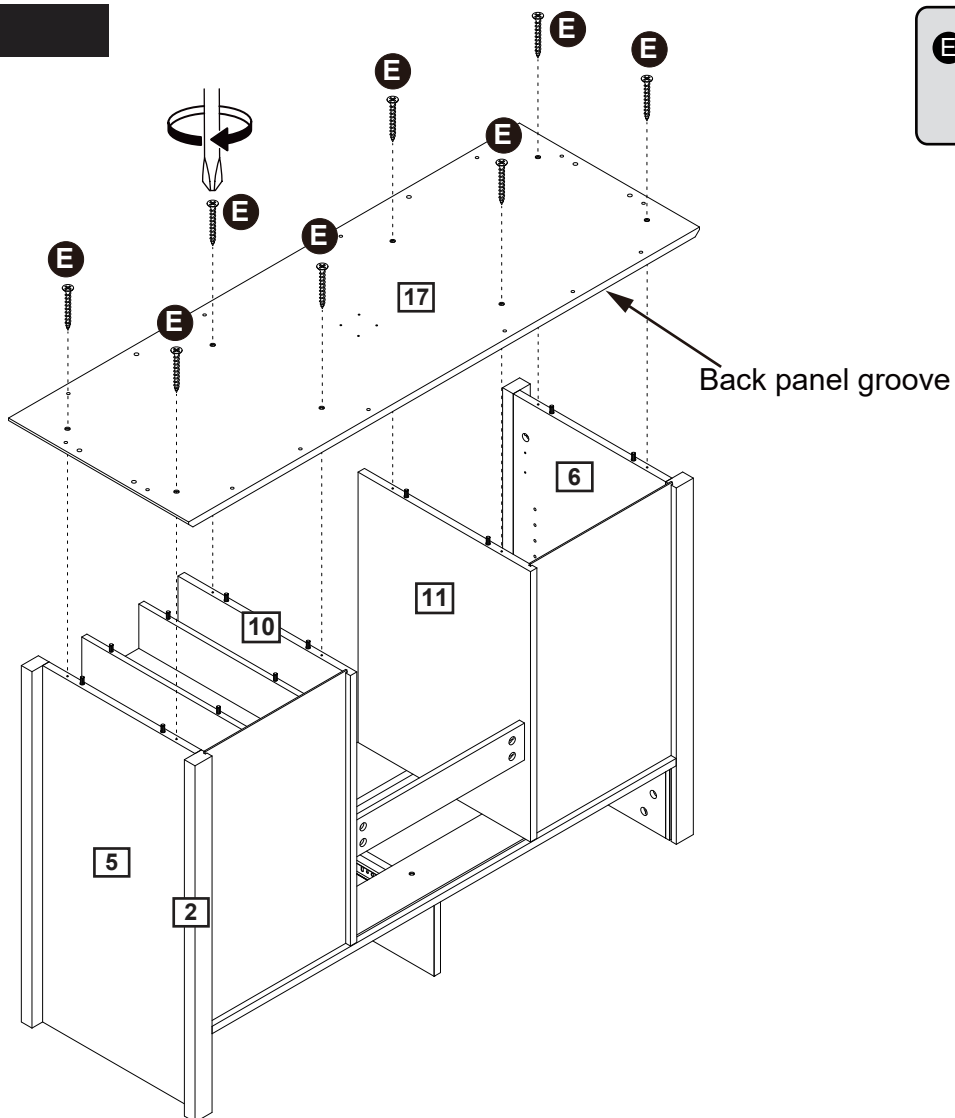
Assembly Instructions

Step 21



Slide back panel (16) into grooves as per diagram.

Step 22



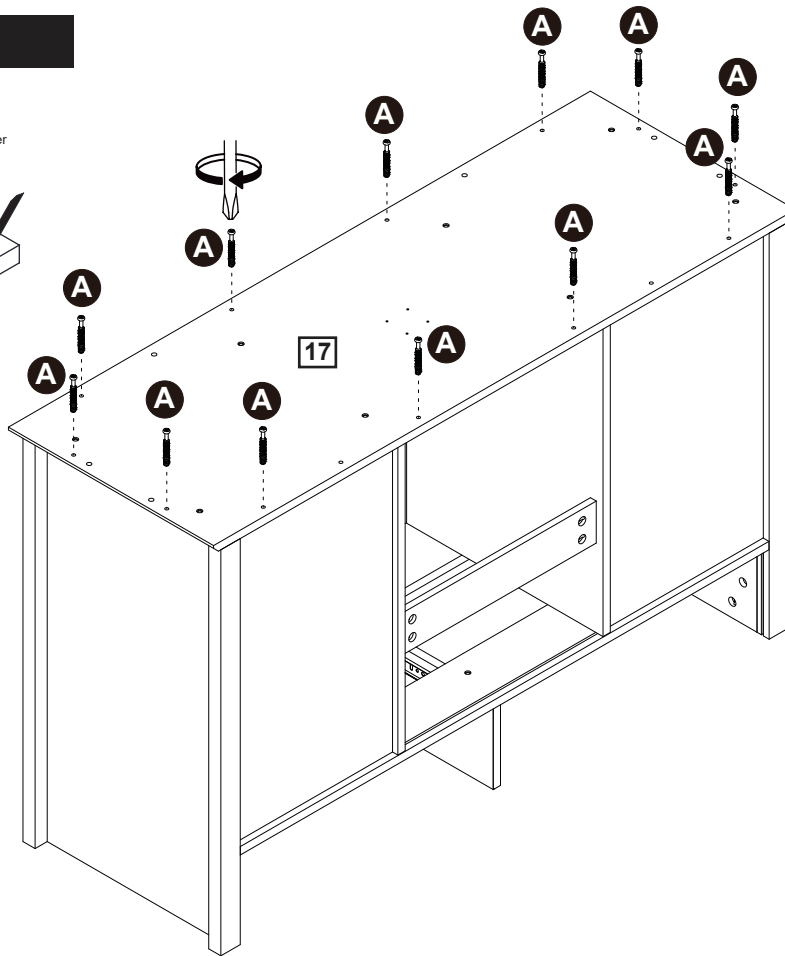
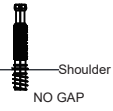
Attach part (17) to part (5, 6, 10, 11) using screw (E) with a screwdriver.

Assembly Instructions

Step 23

CAM-LOCK

Tighten until shoulder is flush with panel. Do not overtighten or undertighten (see example below)



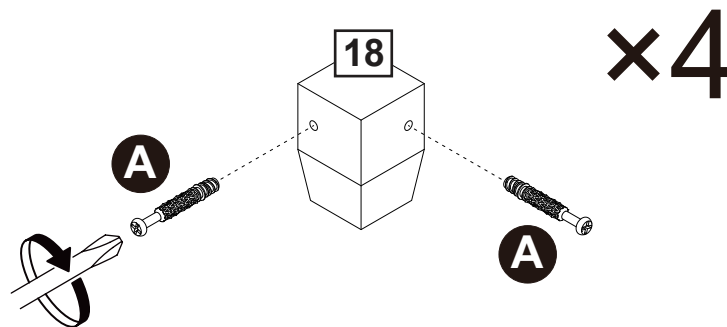
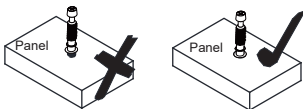
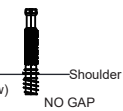
A x 12

Attach cam bolt (A) to part (17) with a screwdriver.

Step 24

CAM-LOCK

Tighten until shoulder is flush with panel. Do not overtighten or undertighten (see example below)

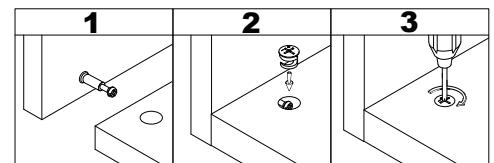
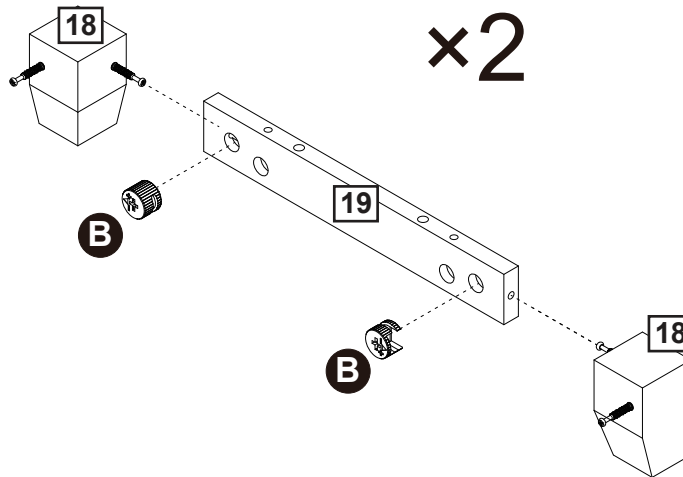


A x 8

Attach cam bolt (A) to part (18) with a screwdriver.

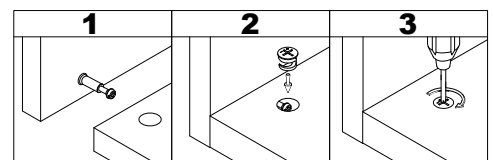
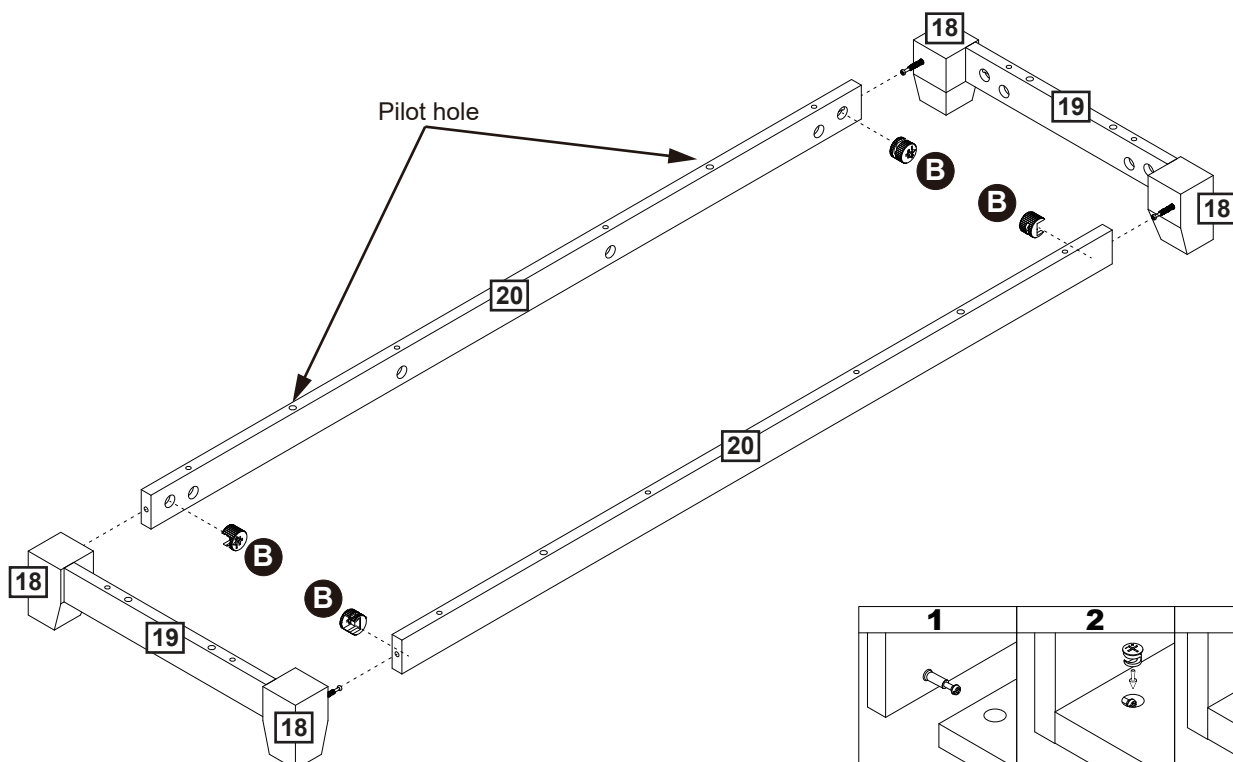
Assembly Instructions

Step 25



Attach part (18) to part (19), then insert and secure cam lock (B) to part (19) to lock it.

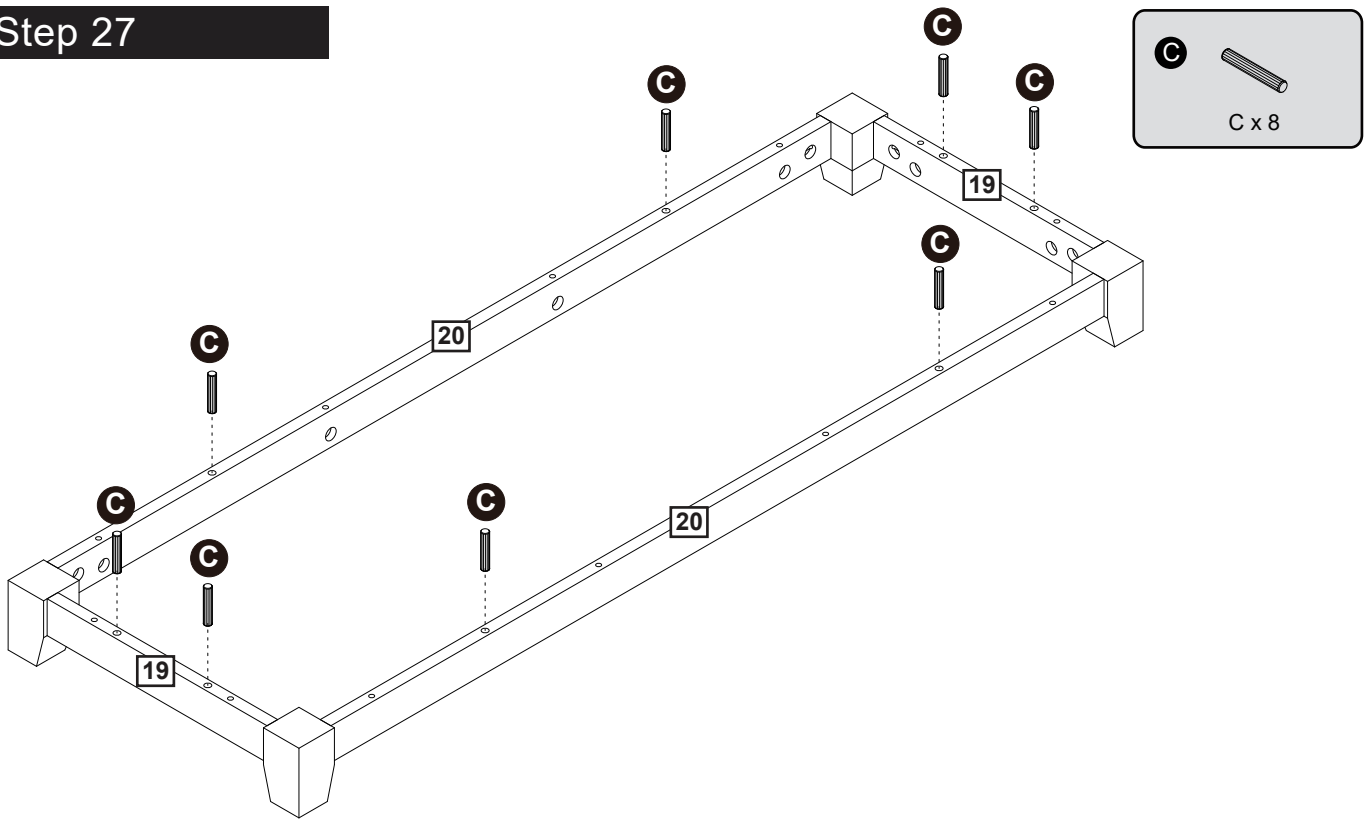
Step 26



Attach part (18) to part (20), then insert and secure cam lock (B) to part (20) to lock it.

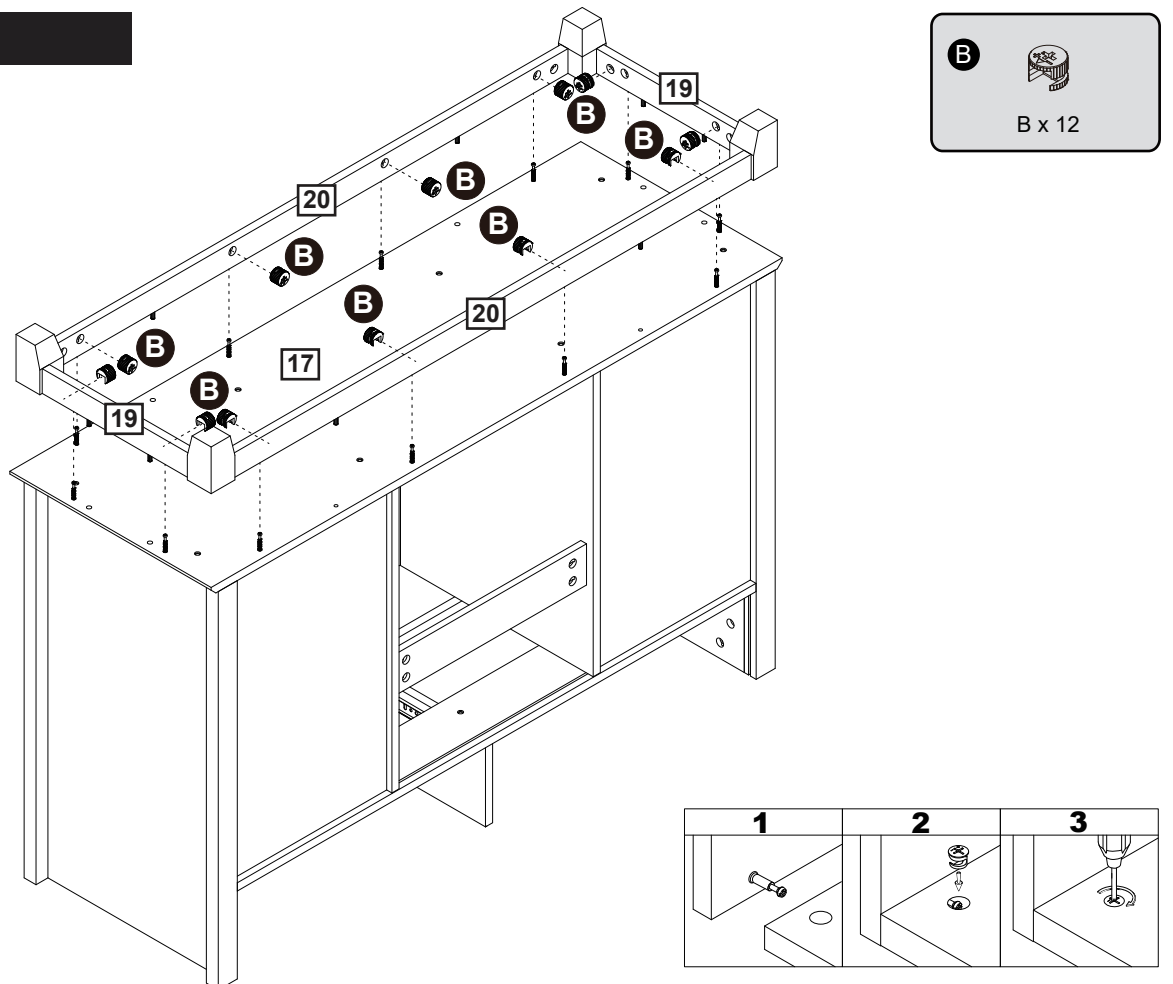
Assembly Instructions

Step 27



Insert wooden dowel (C) into part (19, 20).

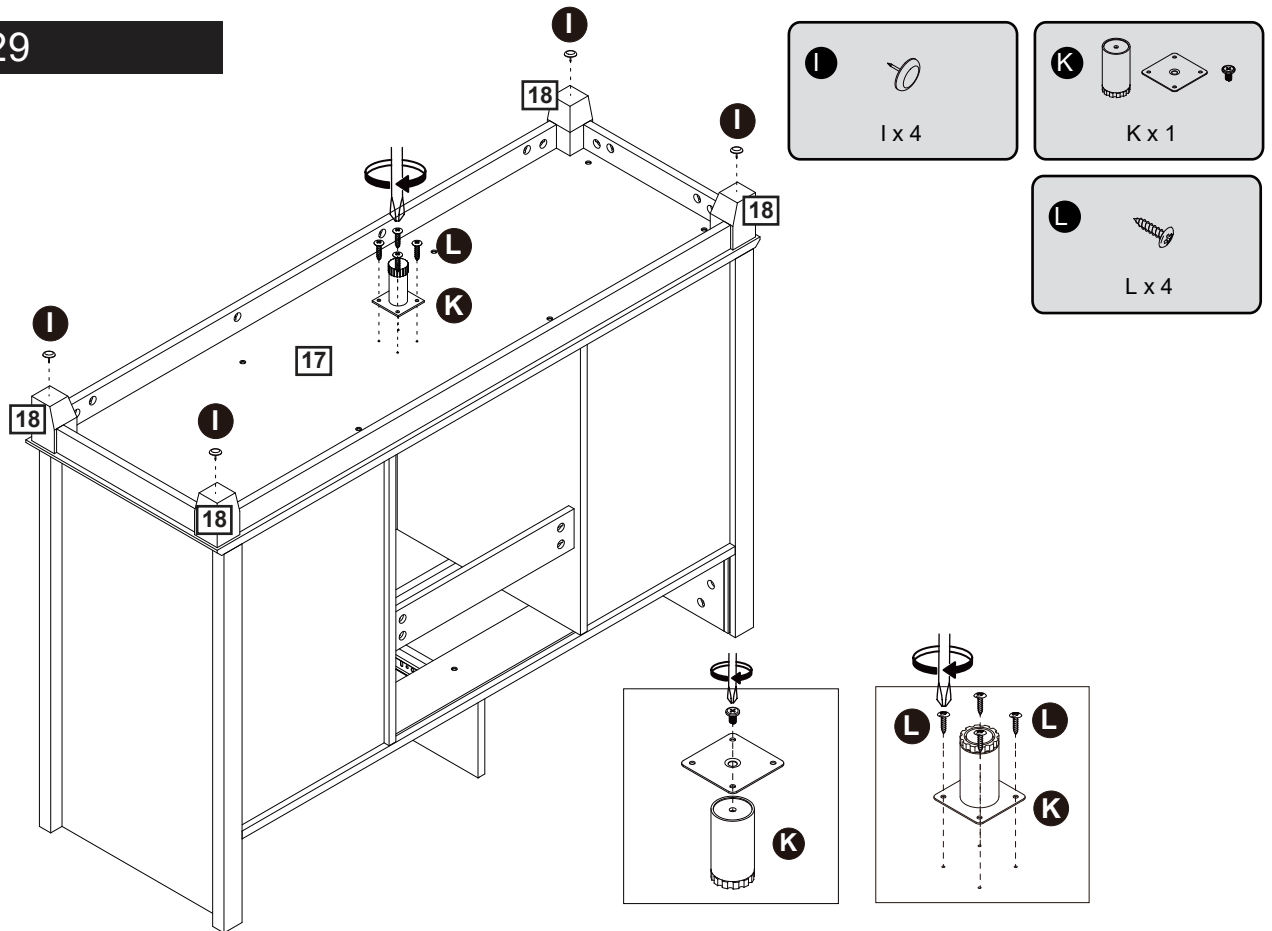
Step 28



Attach part (19, 20) to part (17), then insert and secure cam lock (B) to part (19, 20) to lock it. 22

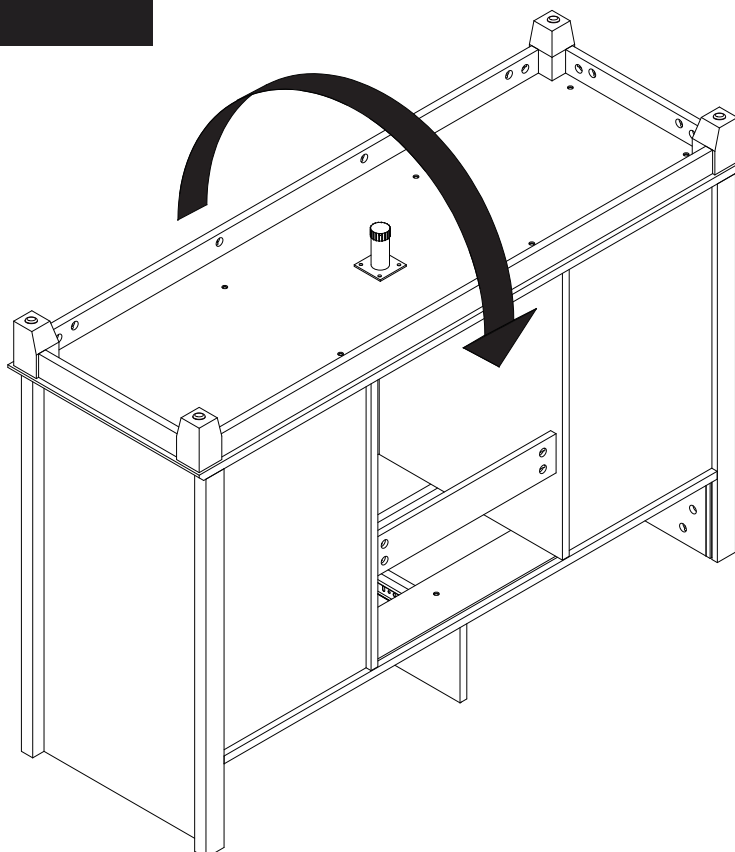
Assembly Instructions

Step 29



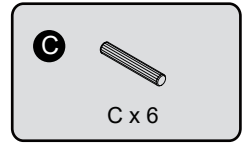
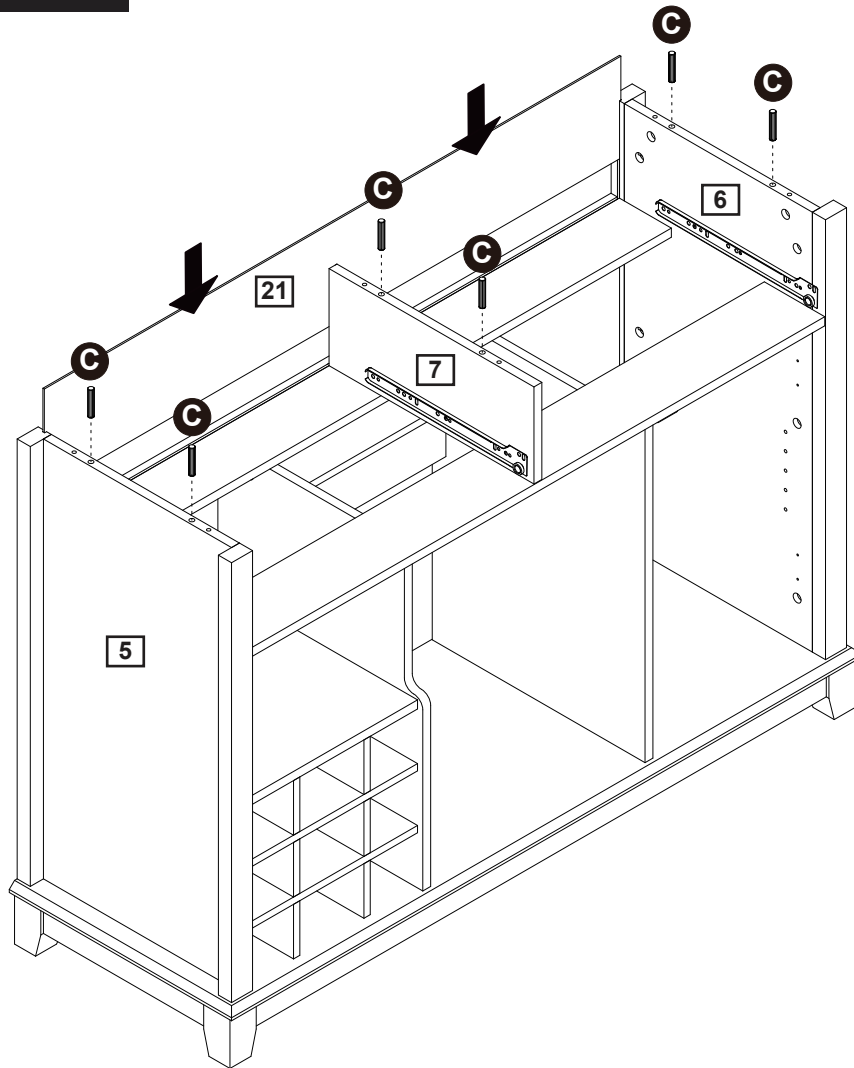
Use screw (L) to secure adjustable foot (K) to part (17) with a screwdriver. Insert protective foot (I) to part (18).

Step 30



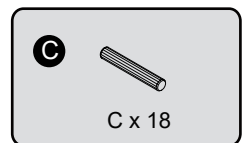
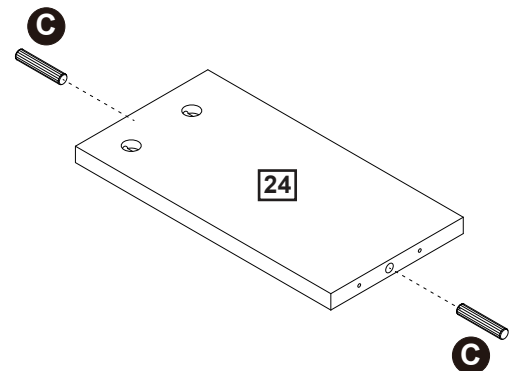
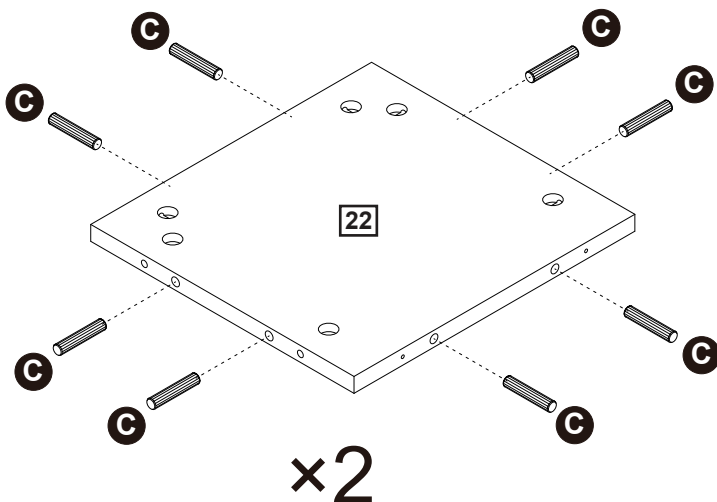
Assembly Instructions

Step 31



Insert wooden dowel (C) into part (5, 6, 7).
Slide back panel (21) into grooves as per diagram.

Step 32



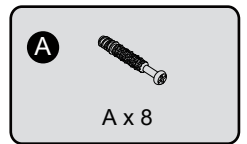
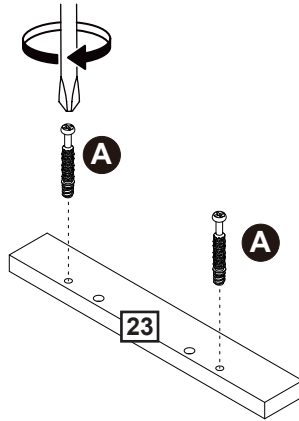
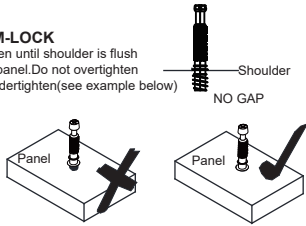
Insert wooden dowel (C) into part (22, 24).

Assembly Instructions

Step 33

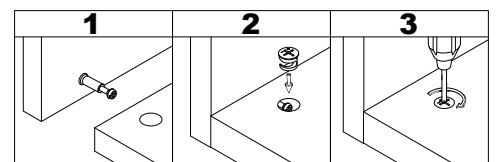
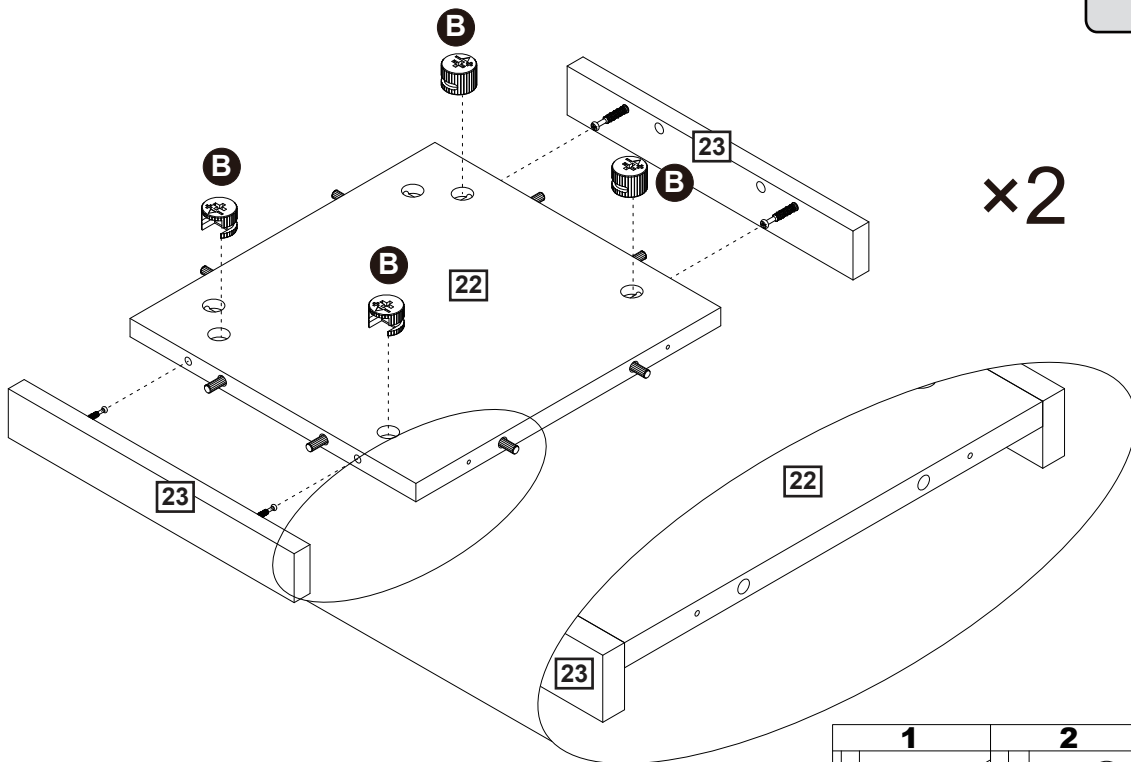
CAM-LOCK

Tighten until shoulder is flush with panel. Do not overtighten or undertighten (see example below)



Attach cam bolt (A) to part (23) with a screwdriver.

Step 34



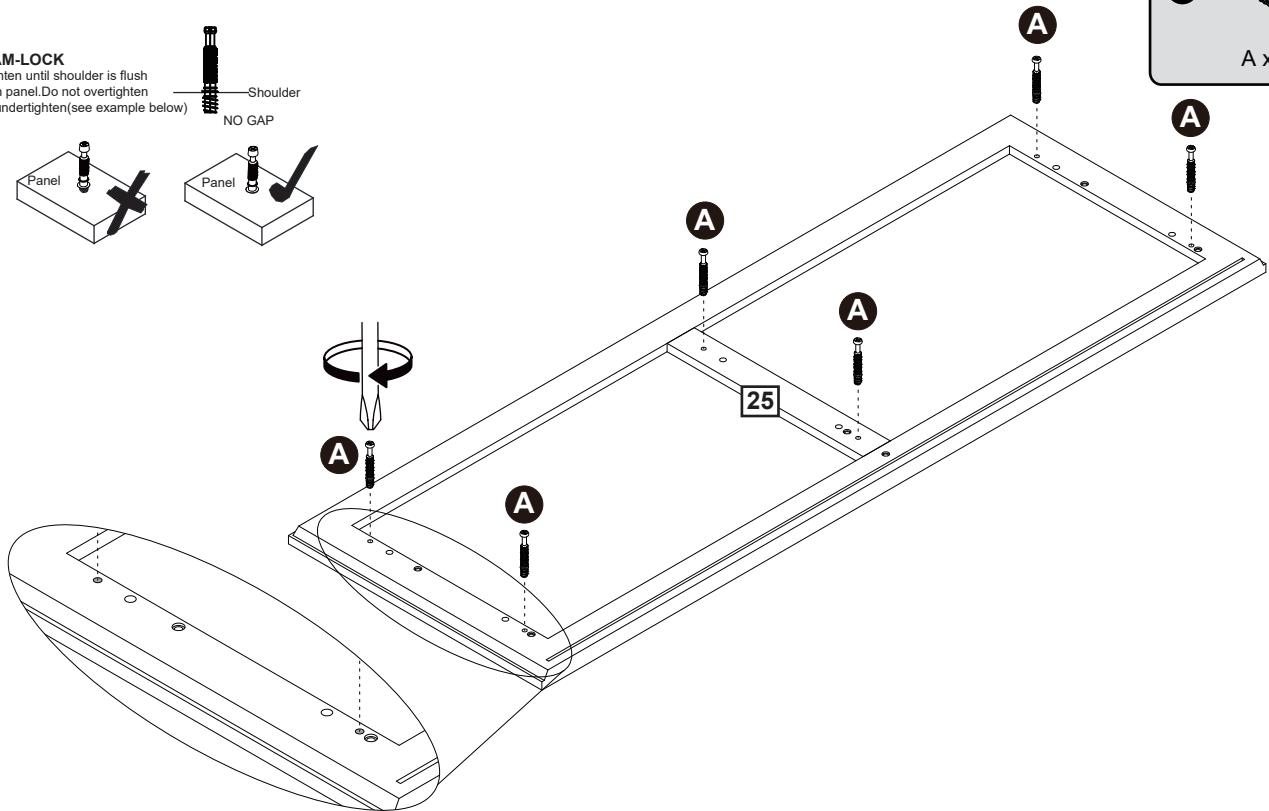
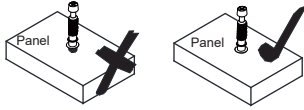
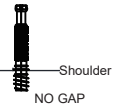
Attach part (23) to part (22), then insert and secure cam lock (B) to part (22) to lock it.

Assembly Instructions

Step 35

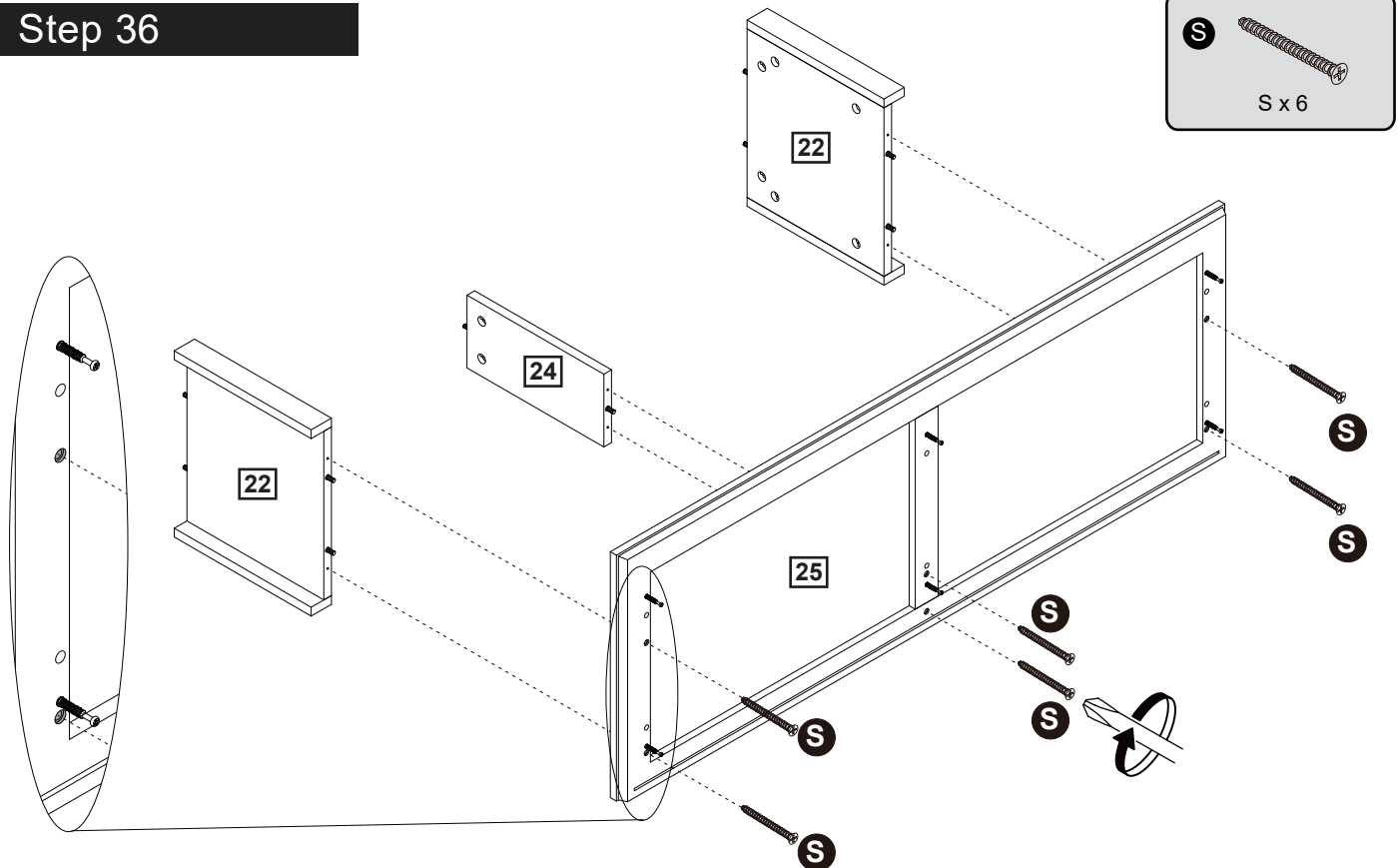
CAM-LOCK

Tighten until shoulder is flush with panel. Do not overtighten or undertighten (see example below)



Attach cam bolt (A) to part (25) with a screwdriver.

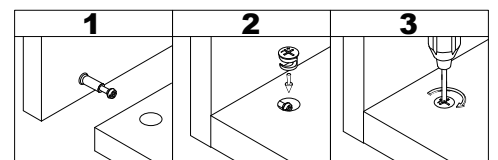
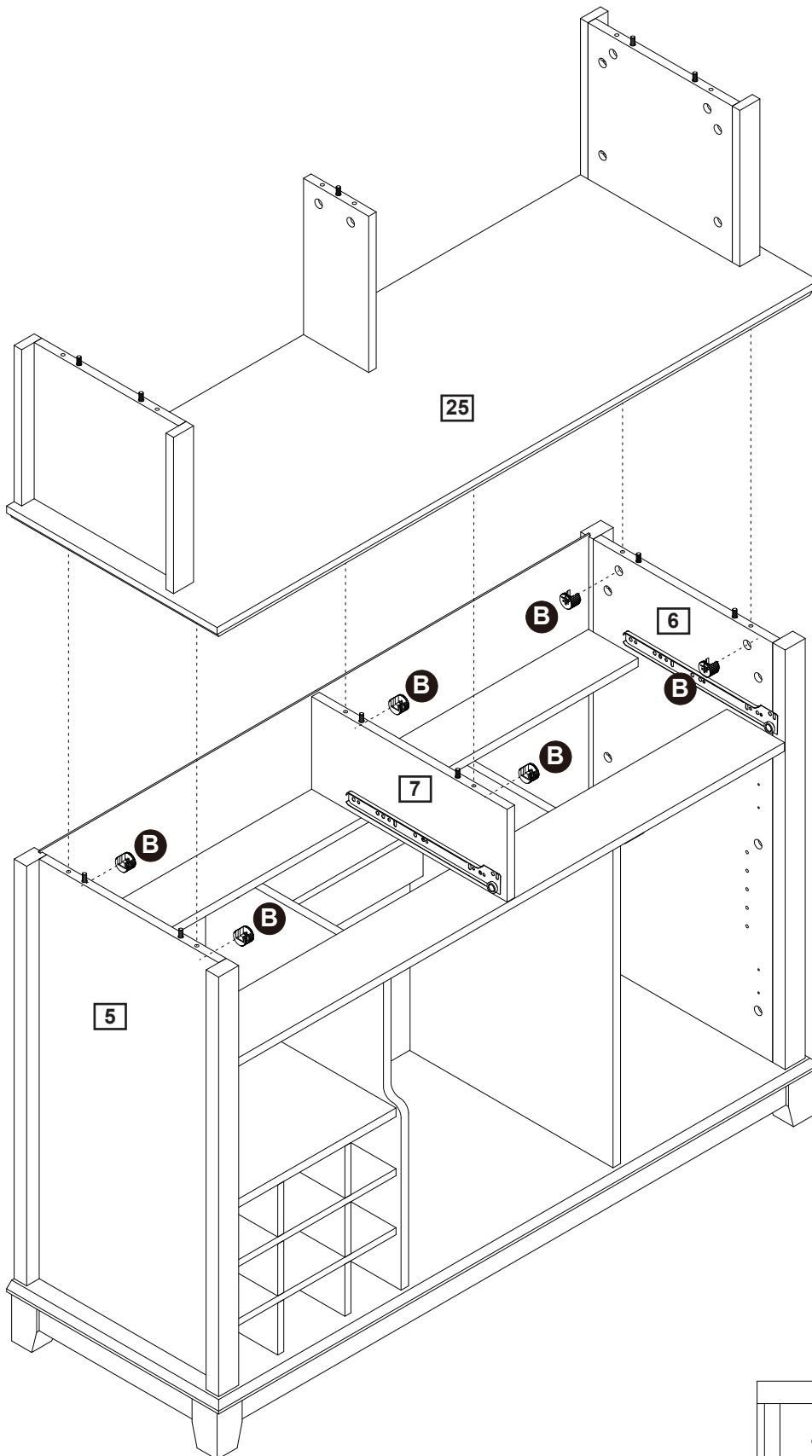
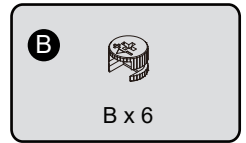
Step 36



Attach part (22, 24) to part (25) using screw (S) with a screwdriver.

Assembly Instructions

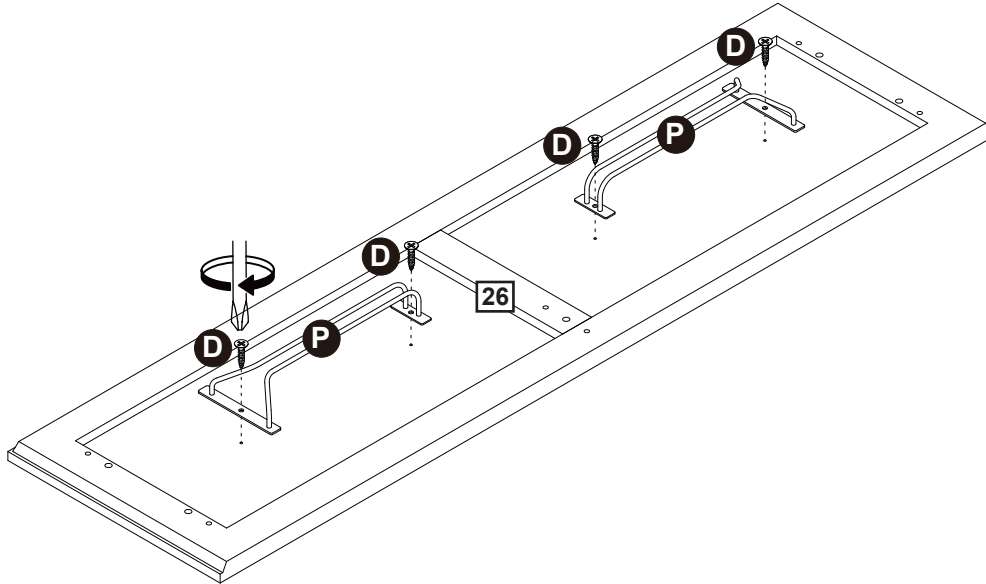
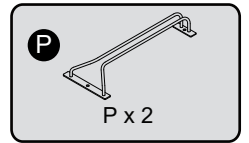
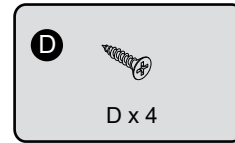
Step 37



Attach part (25) to part (5, 6, 7), then insert and secure cam lock (B) to part (5, 6, 7) to lock it. 27

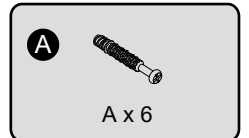
Assembly Instructions

Step 38



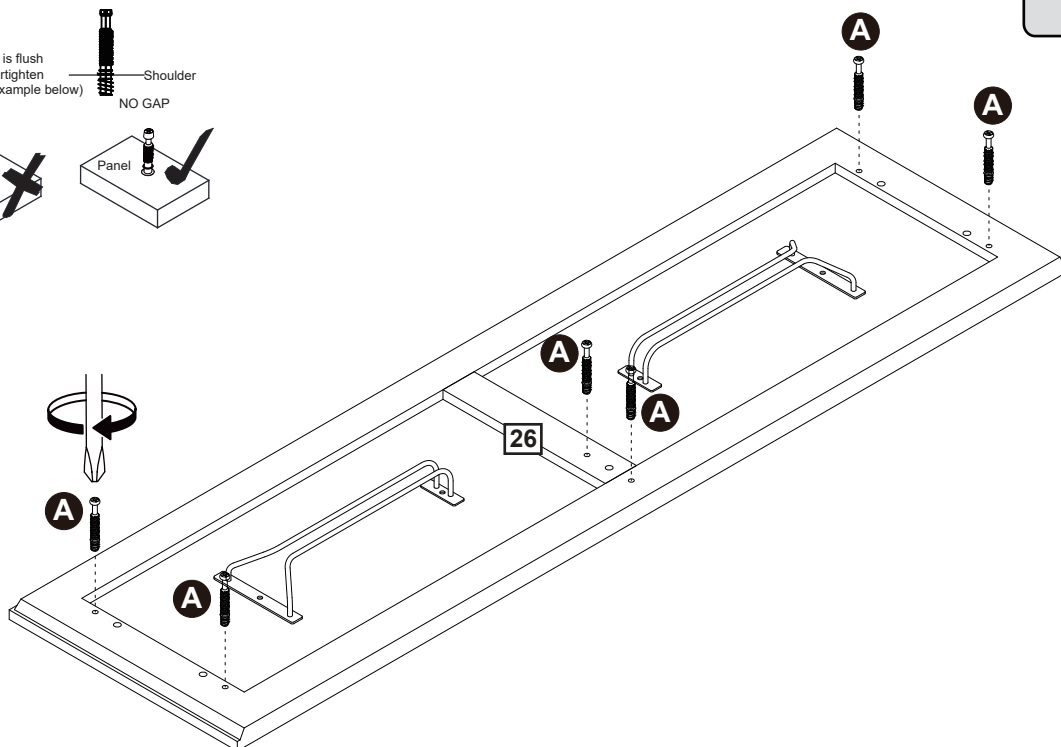
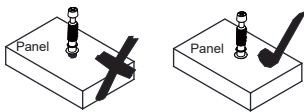
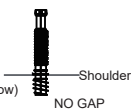
Attach stemware rack (P) to part (26) using screw (D) with a screwdriver.

Step 39



CAM-LOCK

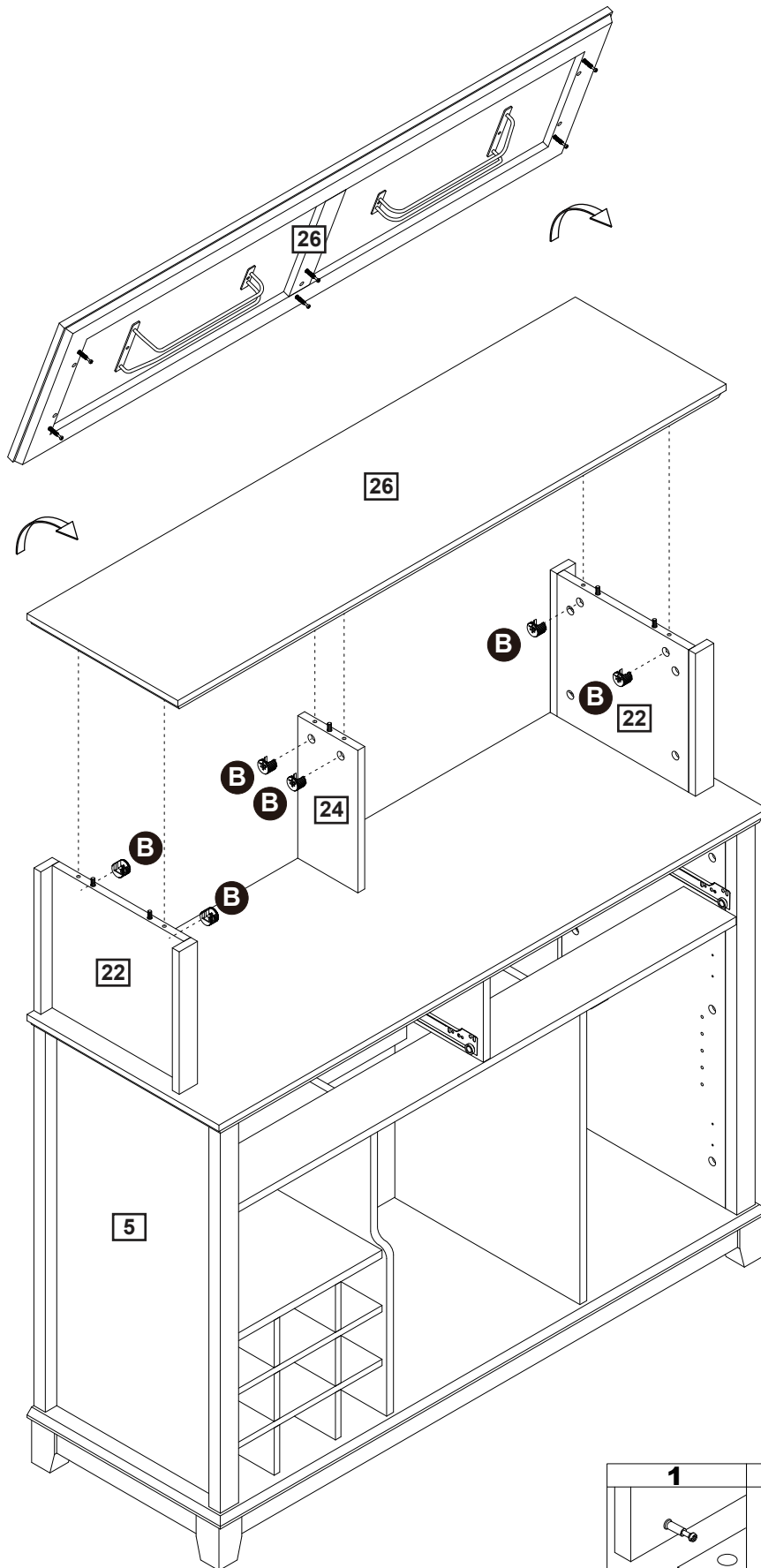
Tighten until shoulder is flush with panel. Do not overtighten or undertighten (see example below)



Attach cam bolt (A) to part (26) with a screwdriver.

Assembly Instructions

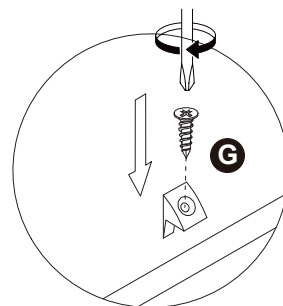
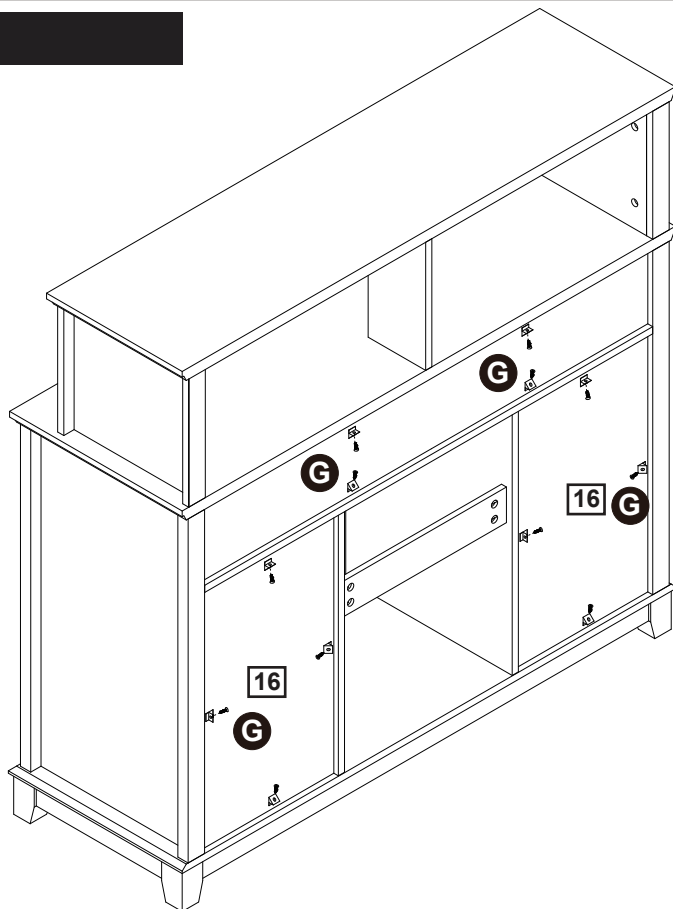
Step 40



Attach part (26) to part (22, 24), then insert and secure cam lock (B) to part (22, 24) to lock it. 29

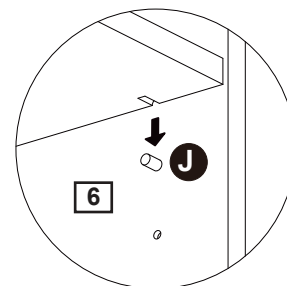
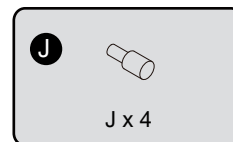
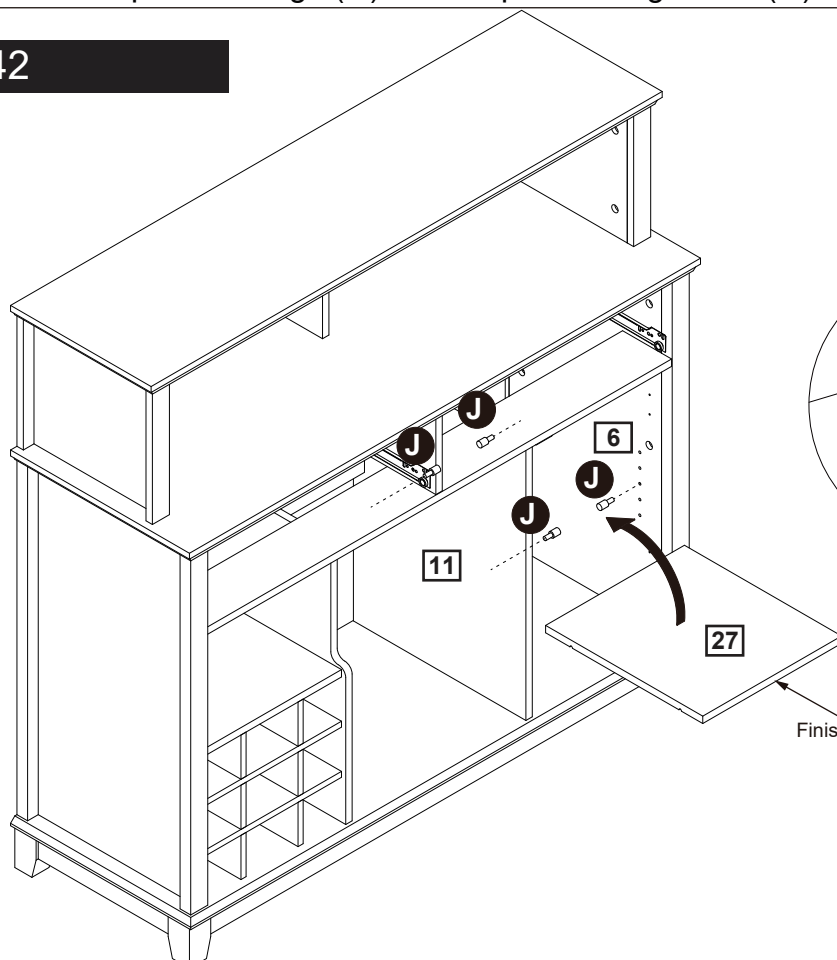
Assembly Instructions

Step 41



Attach plastic wedge (G) to back panel using screw (G) with a screwdriver.

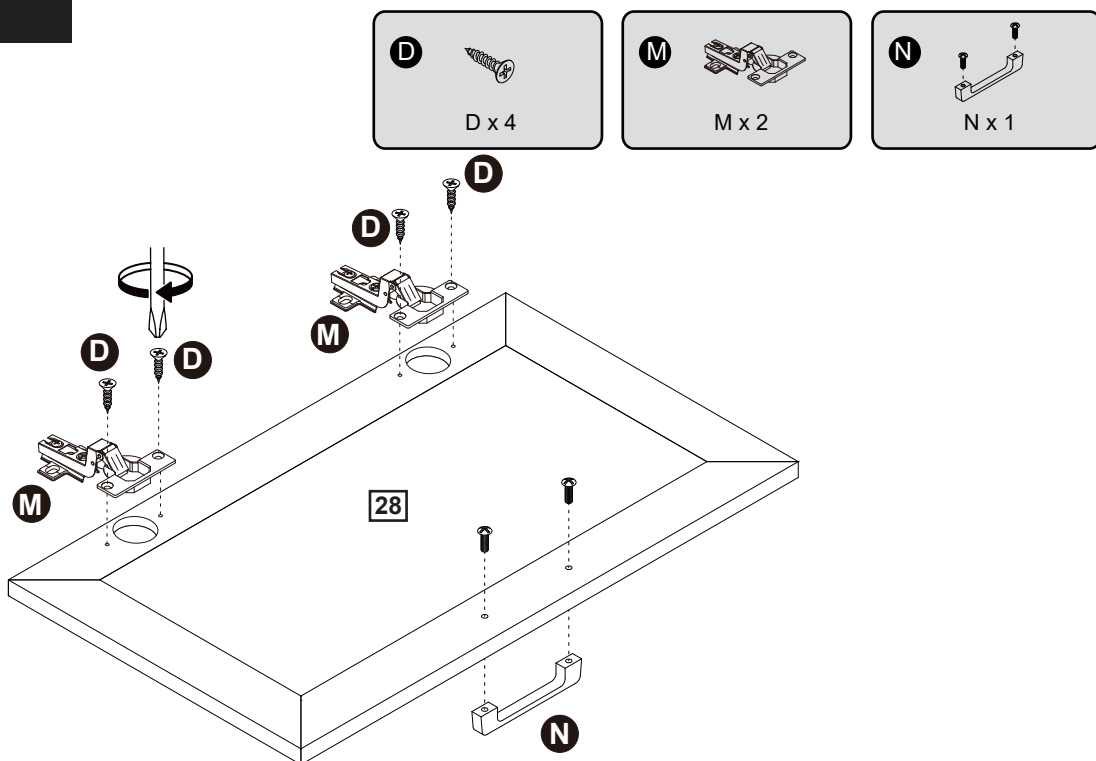
Step 42



Insert shelf support pin (J) into part (6, 11) and place adjustable shelves(27) on the top of support pin.

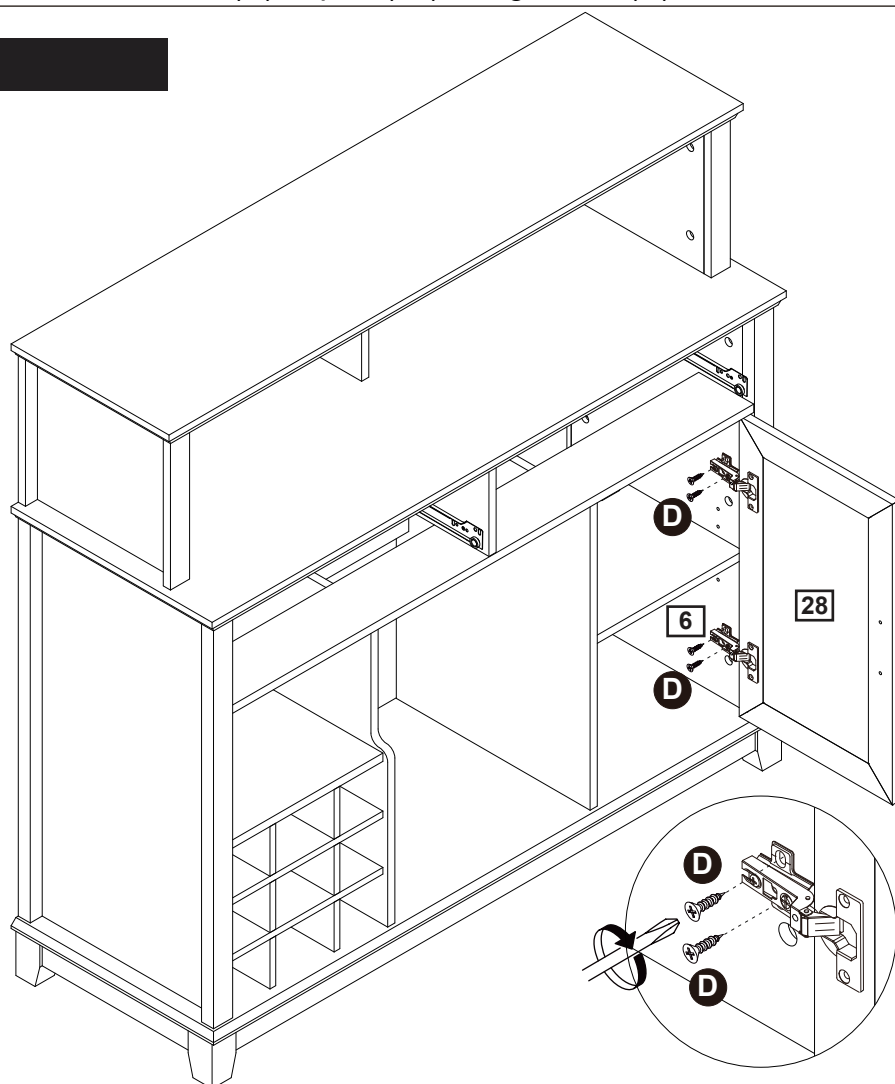
Assembly Instructions

Step 43

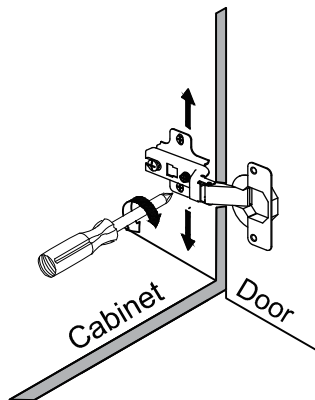
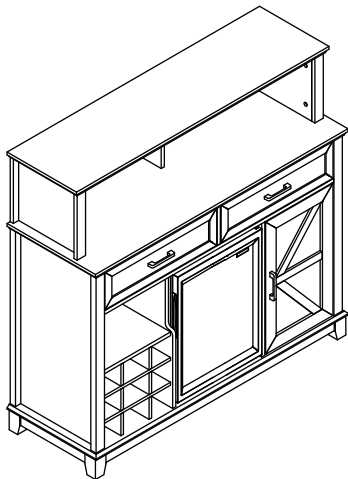
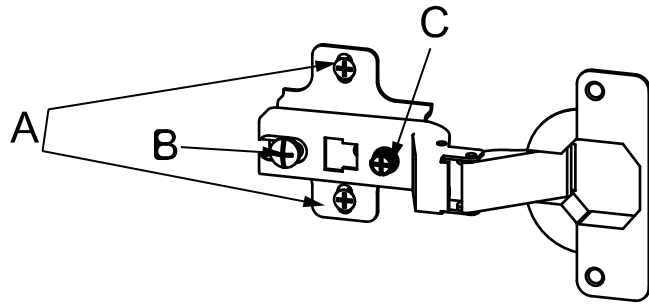


Attach hinge (M) to part (28) using screw (D) with a screwdriver.
Attach handle (N) to part (28) using screw (N) with a screwdriver.

Step 44

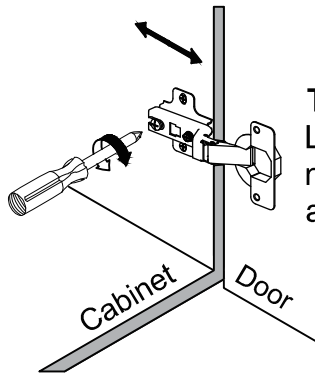
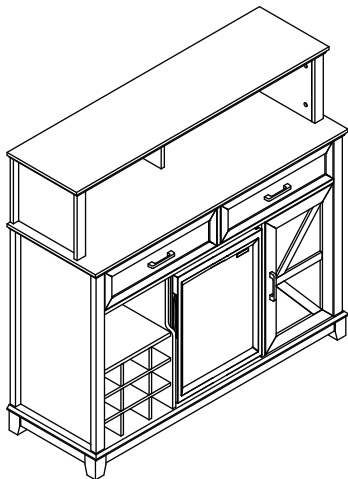


Attach hinge (M) to part (6) using screw (D) with a screwdriver.



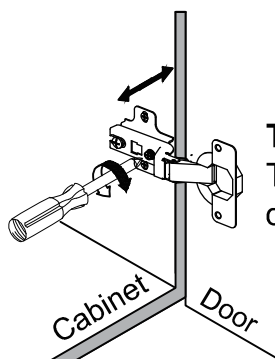
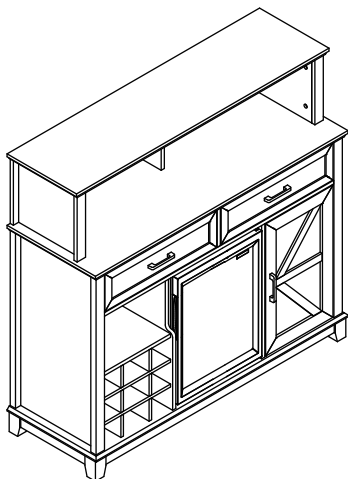
To adjust the vertical height.

Loosen the two screws "A" on both hinges. They are usually in slotted holes which allows you to adjust up or down by a few mm. Then tighten back up.



To adjust depth.

Loosen screw "B" and adjust door, if the door can not be adjusted, please loosen screw "C", then try again. Tighten screw "B" and "C".

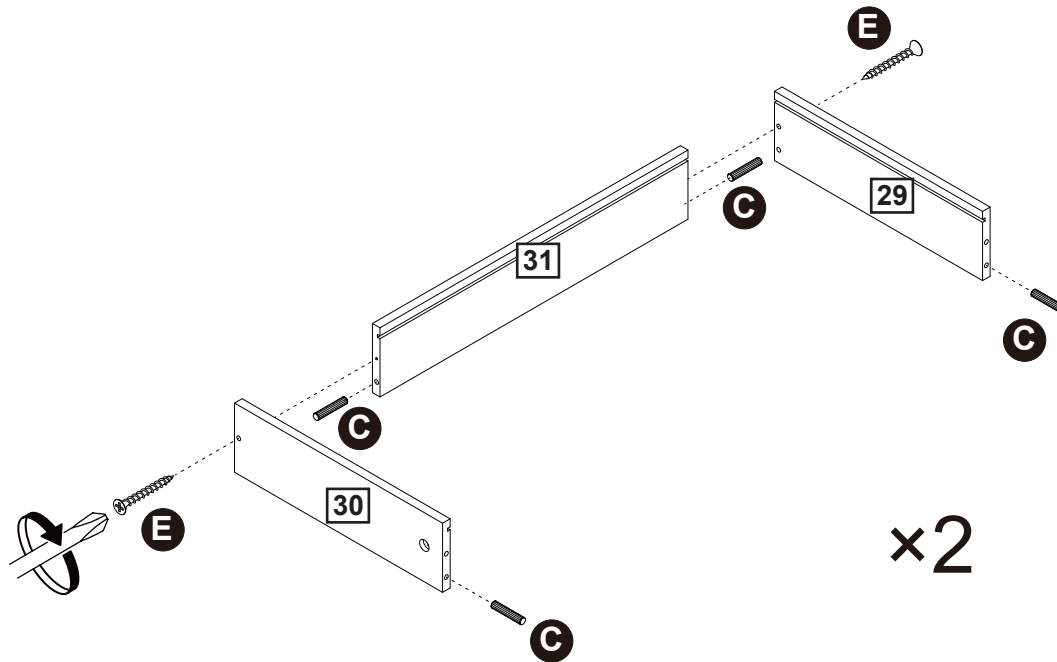
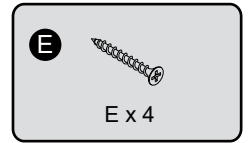
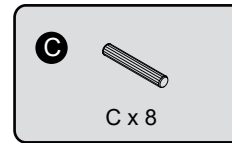


To adjust side ways.

Turning the screw "C" on BOTH hinges on each door.

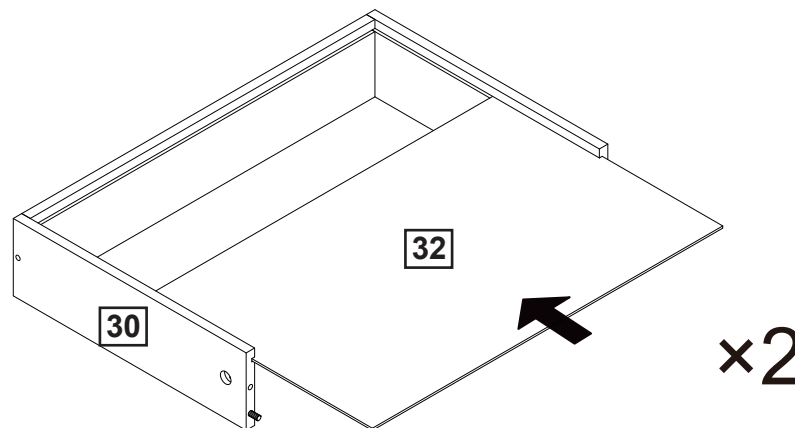
Assembly Instructions

Step 45



Insert wooden dowel (C) into part (31) and attach part (29, 30) to part (31) using screw (E) with a screwdriver.

Step 46



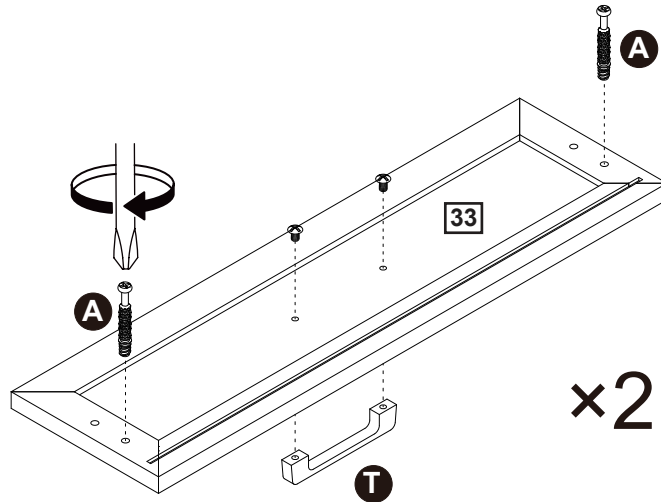
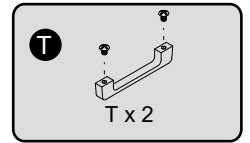
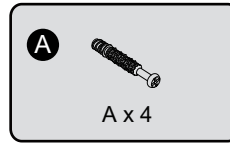
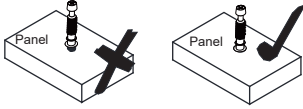
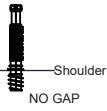
Slide part (32) into grooves as per diagram.

Assembly Instructions

Step 47

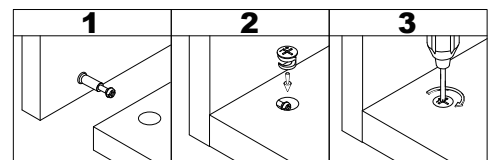
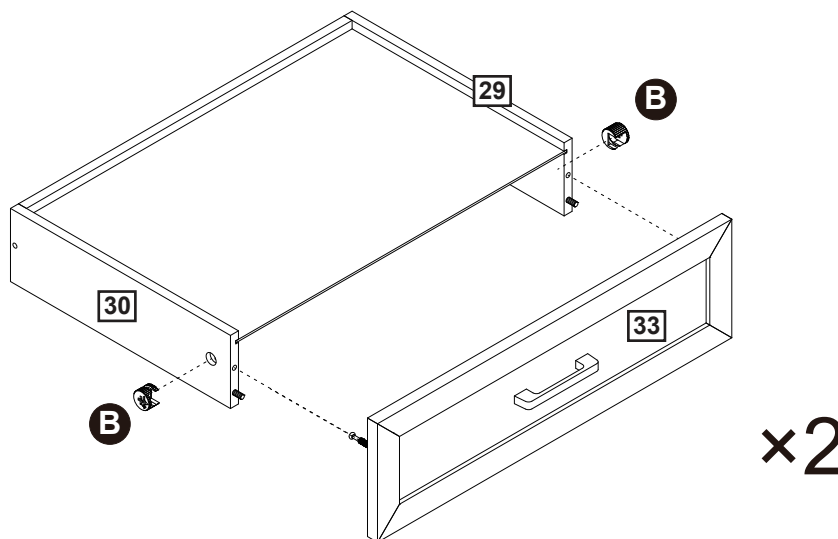
CAM-LOCK

Tighten until shoulder is flush with panel. Do not over-tighten or under-tighten (see example below)



Attach cam bolt (A) to part (33) with a screwdriver.
Attach handle (T) to part (33) using screw (T) with a screwdriver.

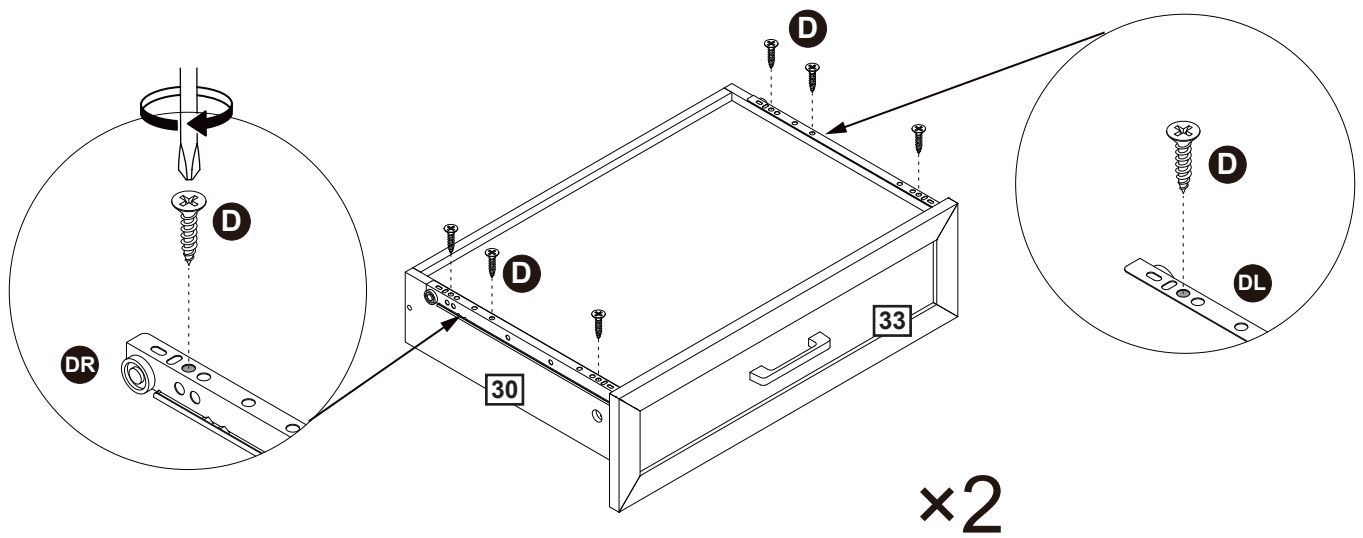
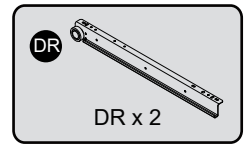
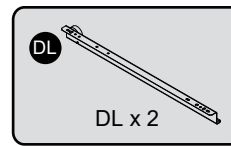
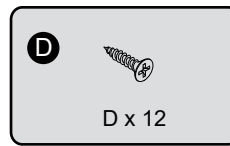
Step 48



Attach part (33) to part (29, 30), then insert and secure cam lock (B) to part (29, 30) to lock it.

Assembly Instructions

Step 49

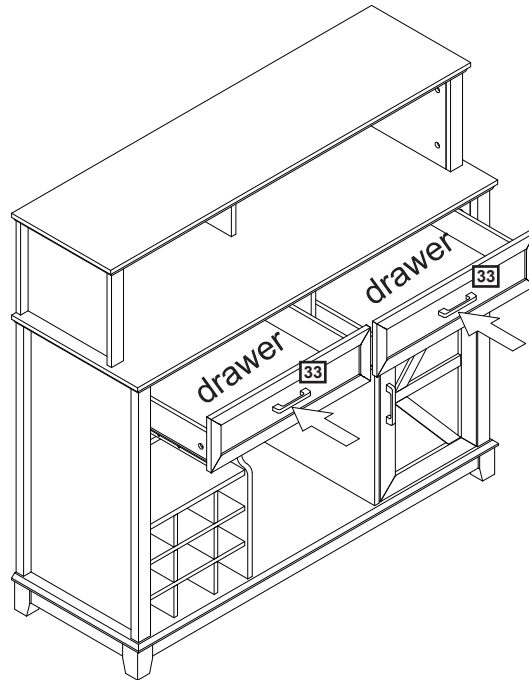


Use screw (D) to secure slide runner (DL, DR) to part (29, 30) with a screwdriver.

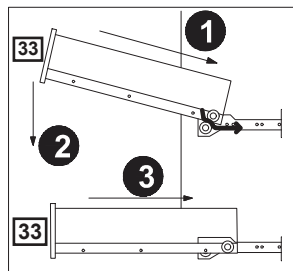
Assembly Instructions

Step 50

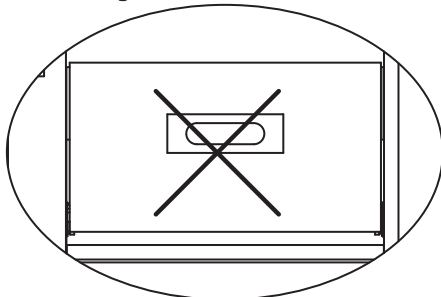
Congratulation! You've made to the last step! But don't be too thrilled yet, put on the drawer can be frustrating if you do it wrong. So, take your time and follow the steps below.



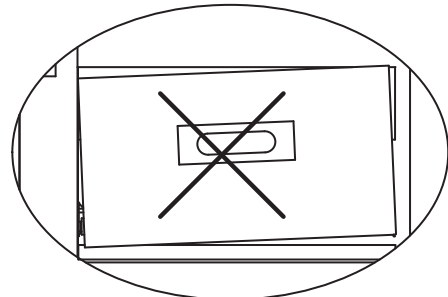
1. Please ensure that you have matched the wheels on BOTH sides of the drawer with the wheels on rails installed BEFORE push in the drawer.



2. If the following occurs, redo the last step.



(both wheels are off the rails)



(one wheel is off the rail)

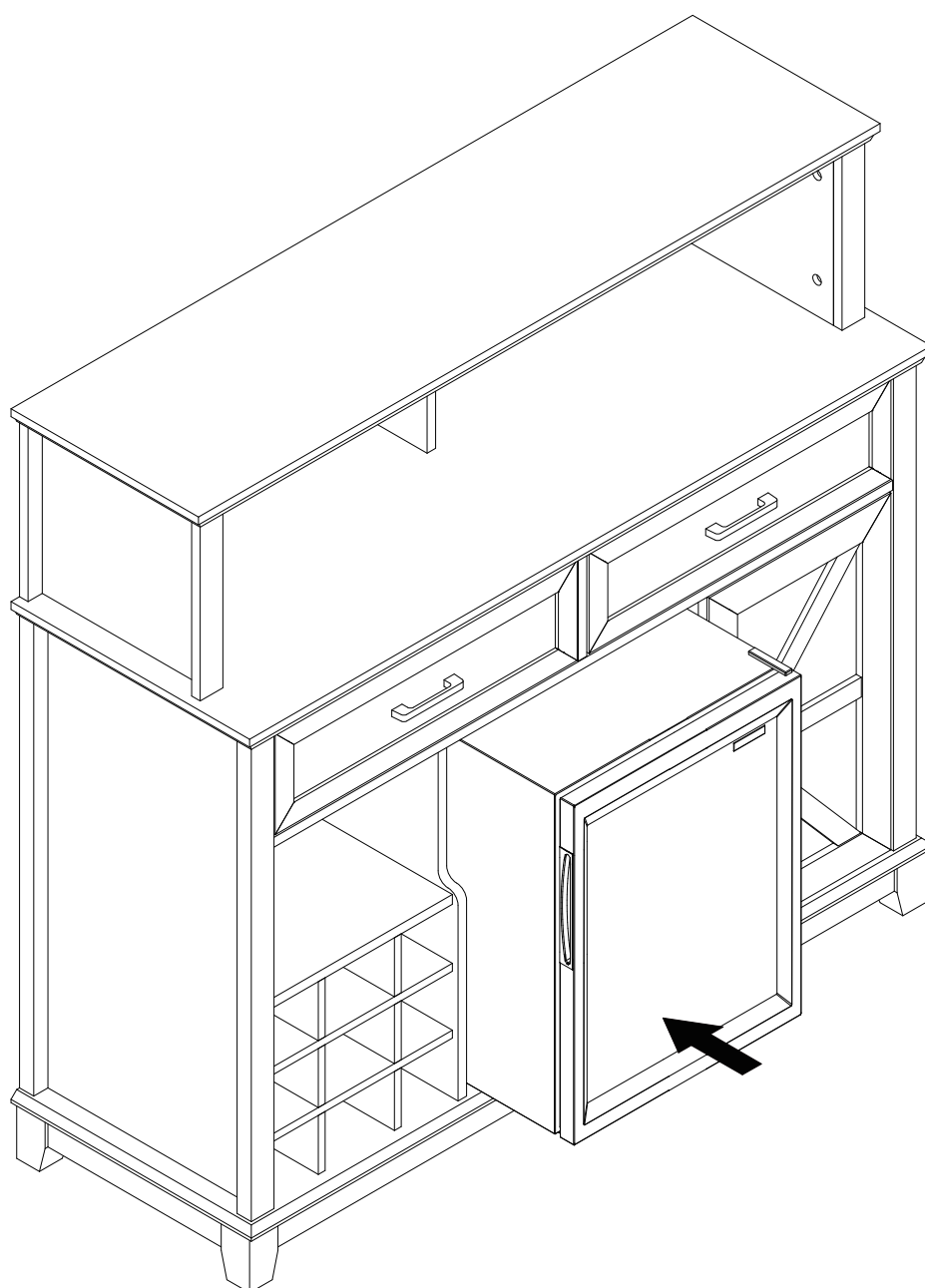
Assembly Instructions

Step 51



When operation for the first time

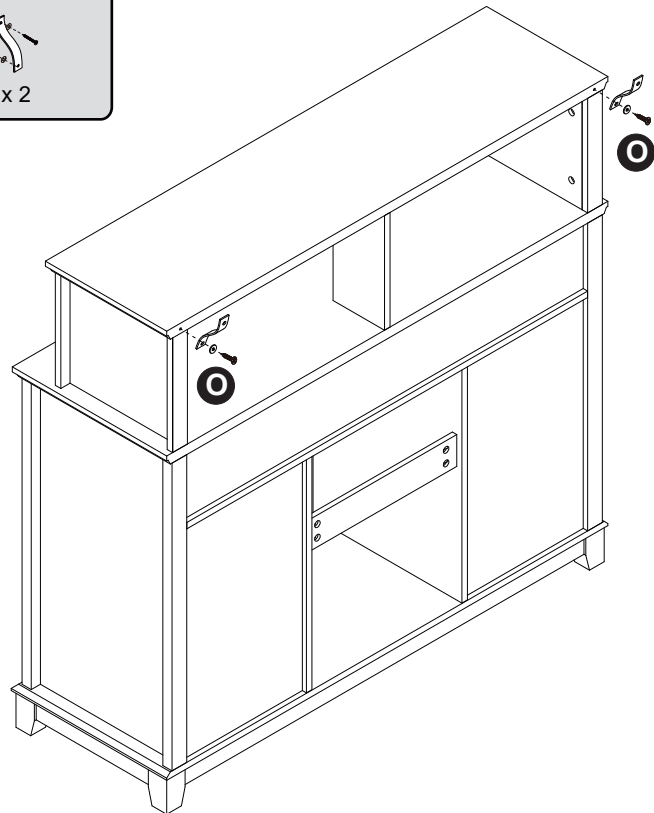
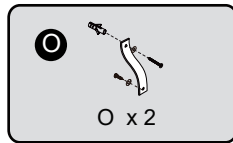
IMPORTANT: please place the freezer upright for 24 hours because the oil in the compressor needs time to settle to the bottom. If the machine is turned on right away, the oil can leak into the refrigeration system causing issue.



Assembly Instructions

Step 52

The unit is floor standing, but it is recommended that the unit is secured to the wall.



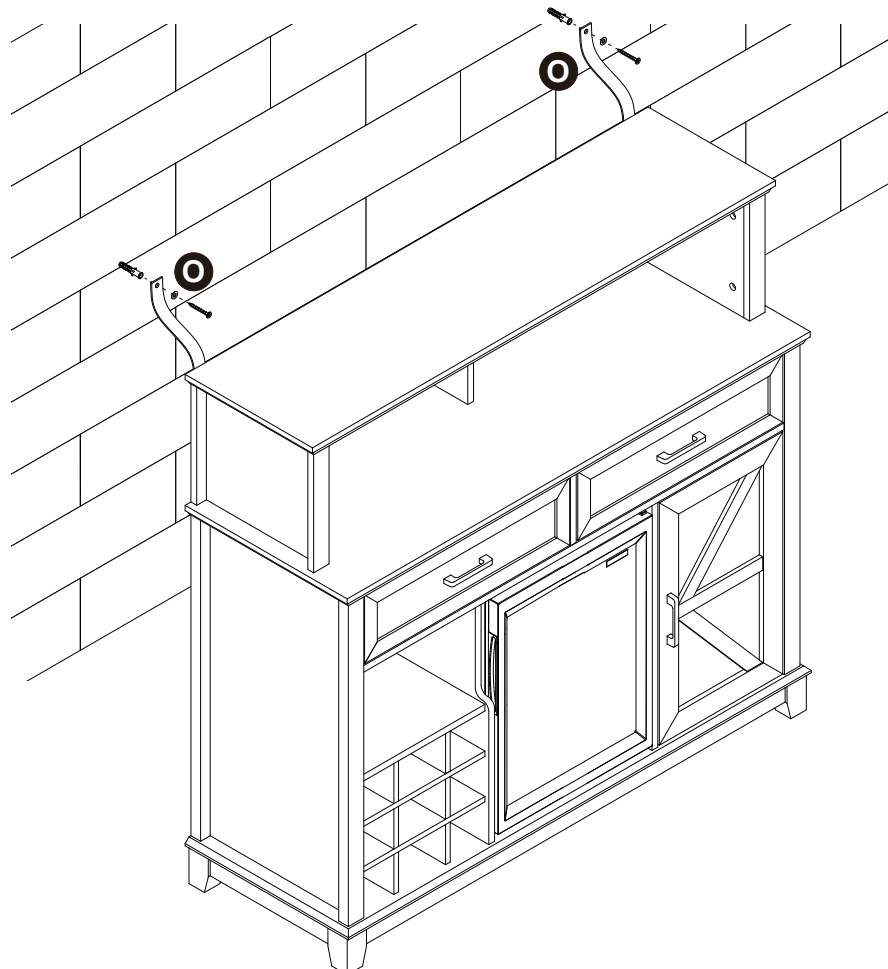
1. Move the unit into desired position.
2. Mark the wall with a suitable scribe the position of the fixing holes.



Warning:
Before drilling, check wall for hidden pipes and cables.

3. Drill holes and insert 2 x wall plug
4. Attach 2 x Wall Straps to the top of the unit using 2 x Washers and 2 x Screws
5. Secure the straps to the wall using 2 x Washers and 2 x Screws

Note: To hide the straps behind the unit, drill the holes lower than the top of the unit



Assembly is complete.

A Guide to Wall Mounting & Fixings

Important note:

If plastic wall plugs (rawl plugs) are supplied with your product, e.g.:



- these are only suitable for use in masonry walls.

If you are in any doubt about the correct wall plugs for your wall, seek professional advice.


Failure of the product due to using the incorrect fixings is the responsibility of the installer.



Important: when drilling into walls always check that there are no hidden wires or pipes etc.

Make sure that the screws and wall plugs being used are suitable for **supporting your unit**. **Consult a qualified tradesperson if you are unsure.**

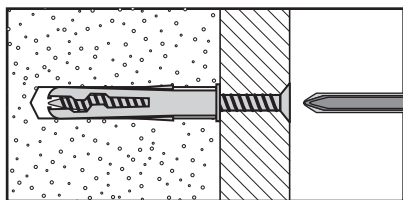
Hints:

- 1: General rule:  always use a larger screw and wall plug if you are not sure.
- 2: Ensure you use the recommended drill bit to match the wall plug and hole size.
- 3: Ensure you drill the hole horizontally; do not force the drill or enlarge the hole.
- 4: Take extra care when drilling high walls, ceilings and ceramic tiles. Ensure wall plugs are inserted beyond the thickness of the ceramic tiles to avoid the tiles splitting or cracking.
- 5: Ensure wall plugs are well fitted and are a tight fit in the drilled hole.

Types of walls

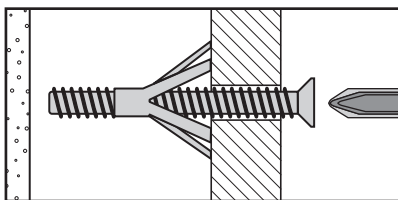
You can use one of the following types of wall plug if your walls are made of brick, breeze block, concrete, stone or wood.

No.1 "General Purpose" wall plug



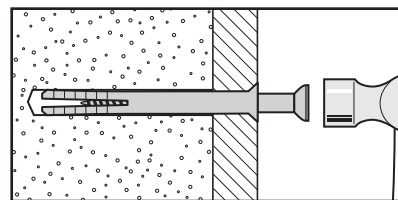
Generally aerated blocks should not be used to support heavy loads, use a specialist fitting in this case. For light loads, general purpose wall plugs can be used.

No.3 "Cavity Fixing" wall plug



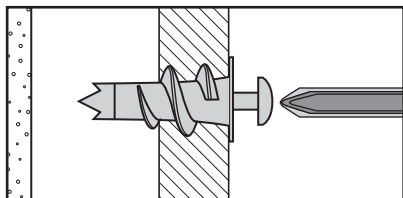
For use with plasterboard partitions or hollow wooden doors.

No.5 "Hammer Fixing" wall plug



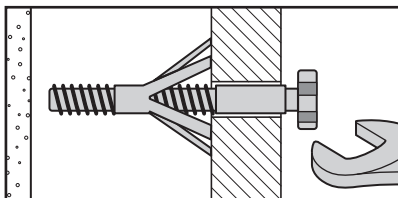
For use with walls stuck with plasterboard. The hammer fixing allows it to be fixed to the wall rather than the plasterboard. Always check the fixing is secure to the retaining wall.

No.2 "Plasterboard" wall plug



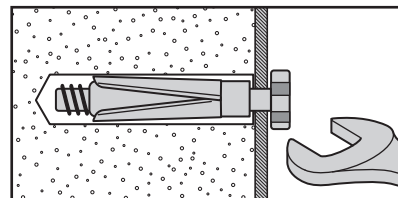
For use when attaching light loads onto plasterboard partitions.

No.4 "Cavity Fixing - Heavy Duty" wall plug



For use when fitting or supporting heavy loads such as shelving, wall cabinets and coat racks.

No.6 "Shield Anchor" wall plug - heavy loads



For use with heavier loads such as TV and HiFi speakers and satellite dishes etc.



Care & Maintenance

Safety: always check the fitting and location to ensure your safety in and around the home.

Fitting: from time to time check the fitting to ensure the wall plugs or screws do not become loose.