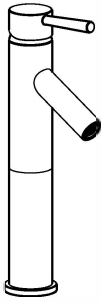


INSTRUCTION



Single lever handle Vessel Sink faucet
 Model NO.: UF36900
 UF36903
 UF36905

Tools:

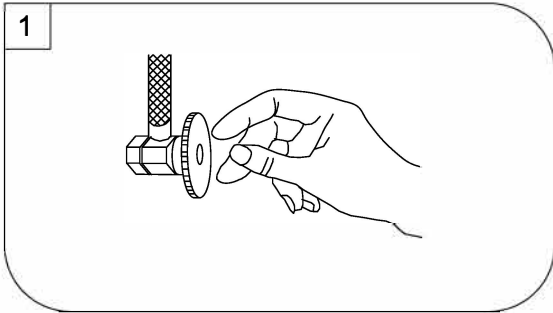
- Adjustable Wrench
- Pliers
- Pipe Wrench
- Screwdriver
- Teflon Tape



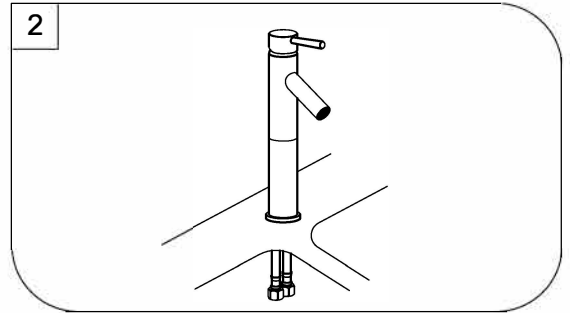
Maintenance:

Your new Vessel Sink faucet is designed for years of trouble-free performance. Keep it looking new by cleaning it periodically with a soft cloth. Avoid abrasive cleaners, steel wool and harsh chemicals as these will dull the finish and void your warranty.

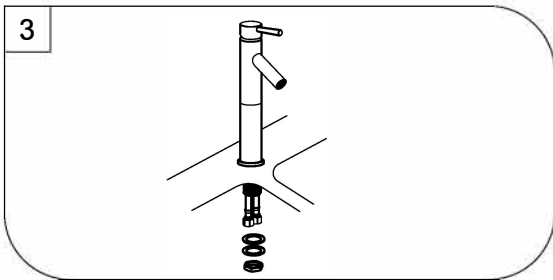
Preparation / Assembly



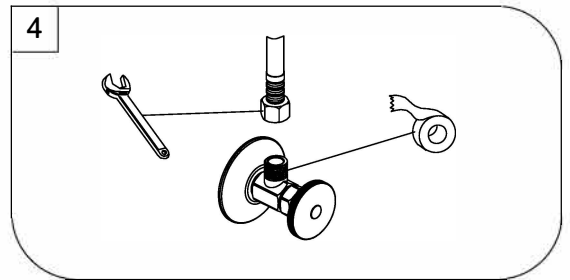
Shut off water supplies. Remove old faucet. Clean sink surface in preparation for new faucet.



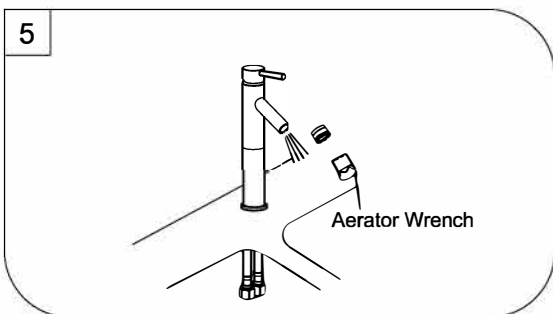
Place optional Flange on bottom of new faucet before position faucet through mounting hole.



Screw the mounting stud into the body. Secure the faucet to sink by installing plastic washer, steel washer and nut onto it. Tighten with wrench.



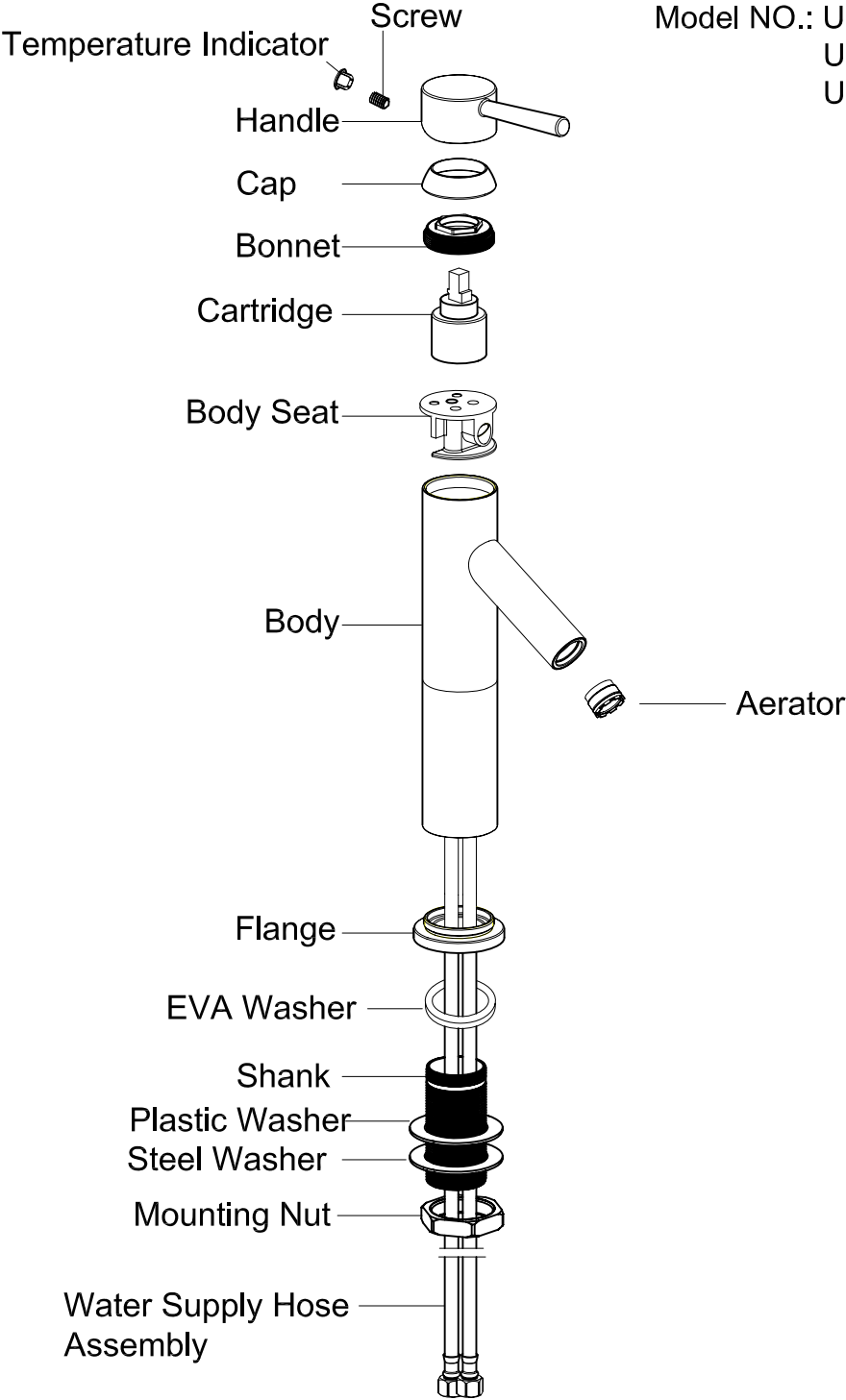
Apply pipe tape onto threads of water supplies. Use wrench when tightening the hose connection, do not overtighten.



Important: After installation is completed. Remove aerator then turn on water supply and allow both hot and cold water to run for at least one minute each. While water is running, check for leaks. Reinstall Aerator. Your new faucet is now ready to use.

Exploded Drawing
RP(Replacement Parts)

Model NO.: UF36900
UF36903
UF36905



Limited Lifetime Warranty

Ultra Faucets warrants to the original purchaser that its products will be free from defects in workmanship and materials. All Ultra Faucets are provided with a life time limited warranty. This warranty does not cover any other labor or service charges associated with the removal, repair, or reinstallation of Ultra Faucets products. This express warranty does not apply to products that have been damaged as a result of misuse, abuse, negligence, accident, faulty installation or maintenance practices and/or used in any manner contrary to those recommended by the manufacturer.