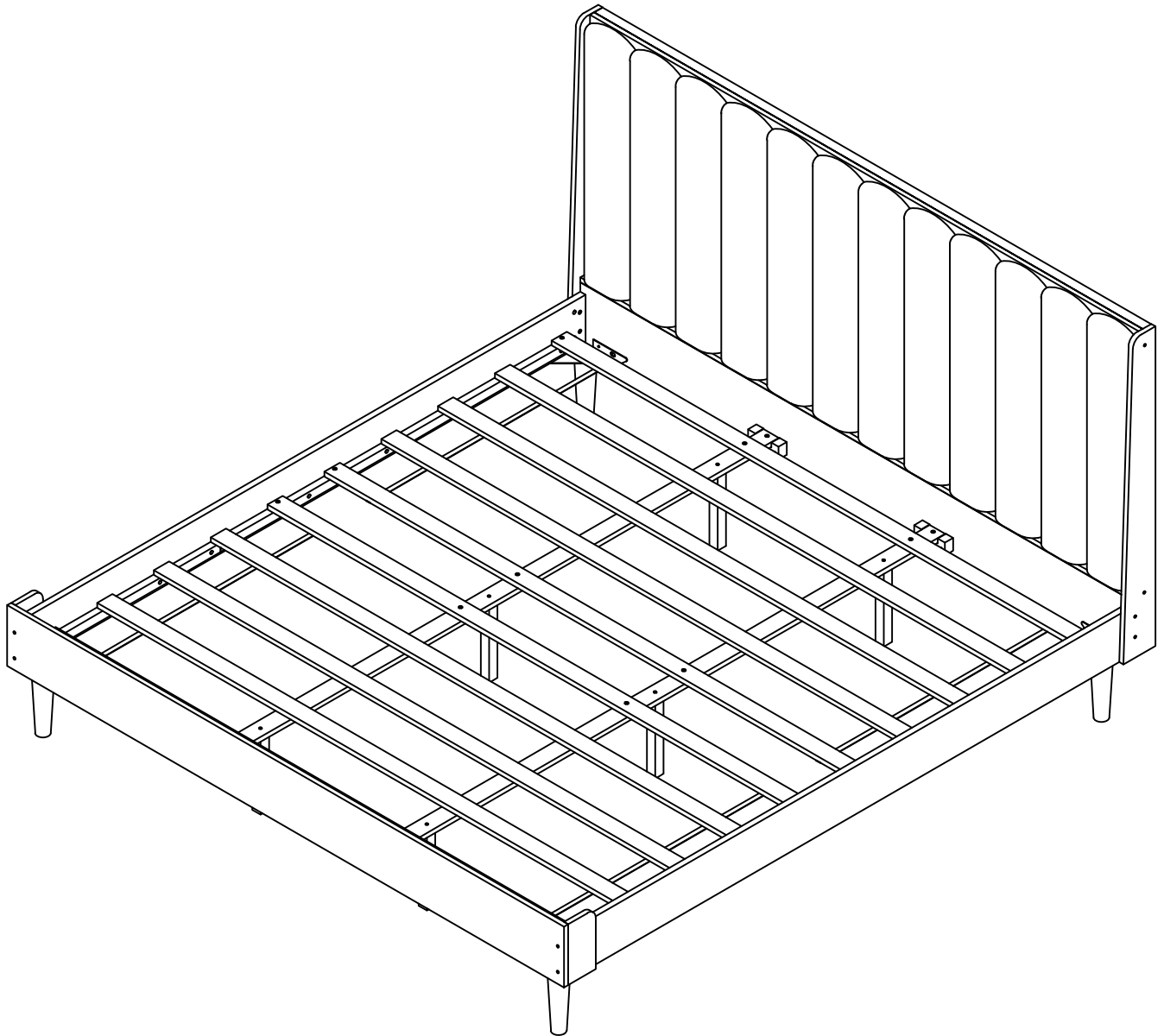


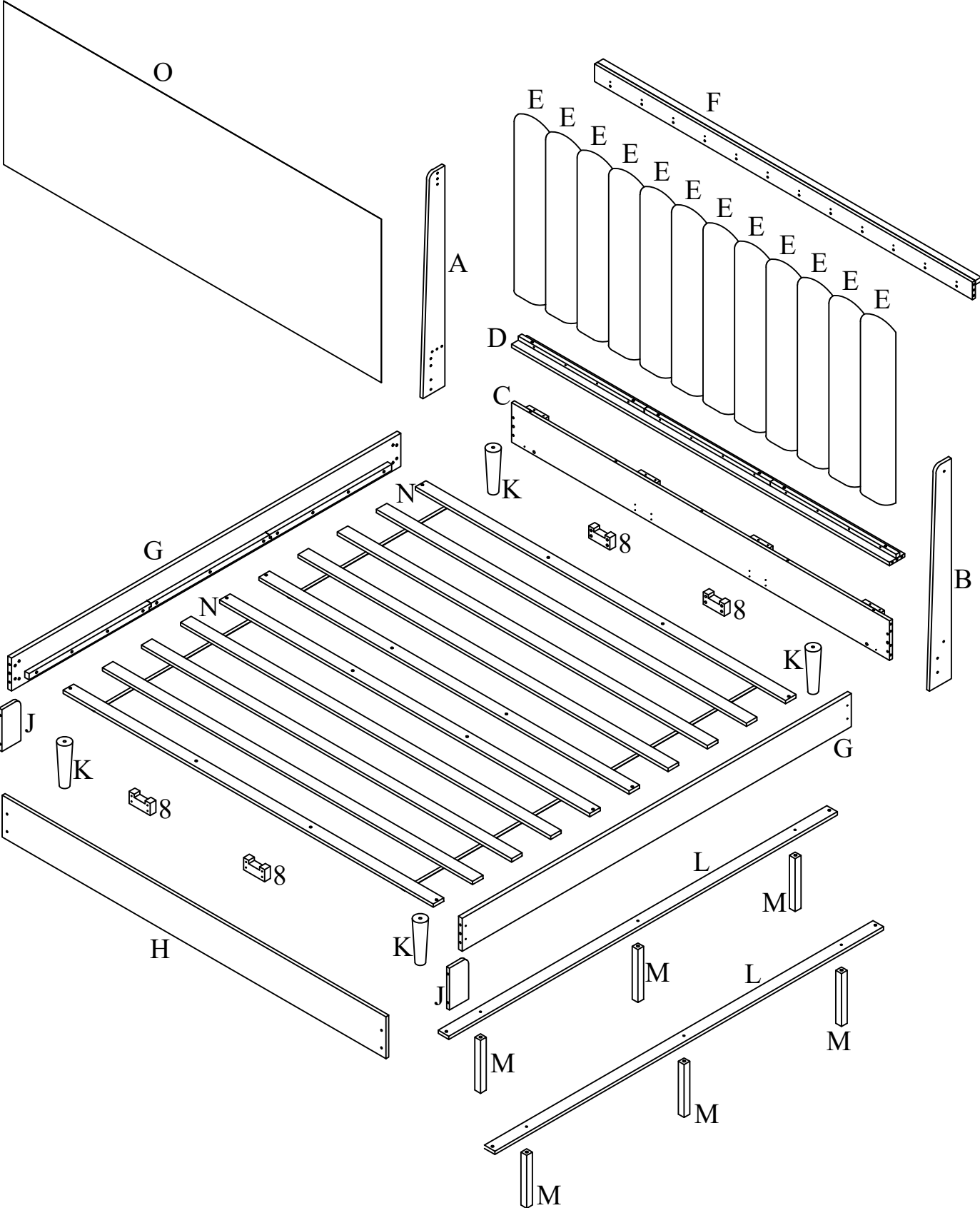
# ASSEMBLY INSTRUCTIONS

## KING BED





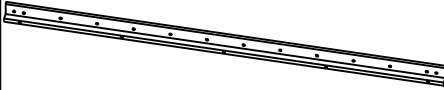

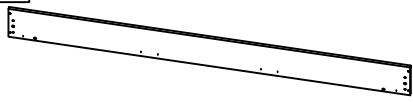

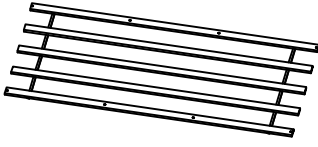


SD33019

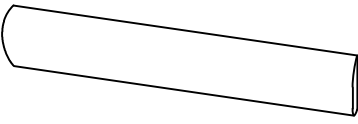
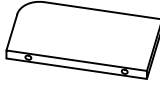
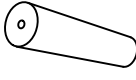
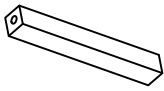
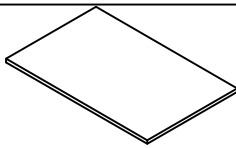
# Detail View










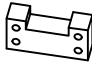

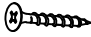

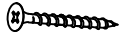




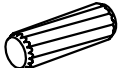

# Part List (Box 1)

<p><b>A</b></p>  <p>Vertical bar left HB - 1pc</p>	<p><b>B</b></p>  <p>Vertical bar right HB - 1pc</p>	<p><b>C</b></p>  <p>Horizontal bar bottom HB - 1pc</p>
<p><b>D</b></p>  <p>Middle bar HB - 1pc</p>	<p><b>F</b></p>  <p>Horizontal bar on HB - 1pc</p>	<p><b>G</b></p>  <p>Upper side rail - 2pcs</p>
<p><b>H</b></p>  <p>Horizontal bar FB - 1pc</p>	<p><b>L</b></p>  <p>Lower support slat - 2pcs</p>	<p><b>N</b></p>  <p>Slats - 2sets</p>

# Part List (Box 2)

<p><b>E</b></p>  <p>Horizontal bar FB - 12pcs</p>	<p><b>J</b></p>  <p>Side bar FB - 2pcs</p>	<p><b>K</b></p>  <p>Legs - 4pcs</p>
<p><b>M</b></p>  <p>Support Legs - 6pcs</p>	<p><b>O</b></p>  <p>Black Cloth - 1pc</p>	

# Hardware List (Box 2)



1	 (Ø15) 1/4"*70	2	 (Ø15) 1/4"*40	3	 (Ø15) 5/16"*40
Hex-Head bolts (16pcs)		Hex-Head bolts (6pcs)		Hex-Head bolts (4pcs)	
4	 1/4"*15 (9.5mm)	5	 (1/4") 4*58mm	6	 (Ø15) 5/16"*15
Horizontal-Hole bolts (16pcs)		Allen key (1pc)		Hex-Head bolts (8pcs)	
7	 127*26*2mm	8	 110*55*30mm	9	 Ø4*15mm
(4pcs)		(4pcs)		Wood screws (8pcs)	
10	 Ø4*25mm	11	 50*20*0.8mm	12	 Ø4*35mm
Wood screws (60pcs)		(2pcs)		Wood screws (16pcs)	
13	 5/16"*Ø13*1.5	14	 5/16"*Ø19*1.5	15	 Ø8*20mm
(12pcs)		(12pcs)		Wood dowel (12pcs)	
16	 Ø8*30mm	17	 Ø10*30mm	18	 Ø3*15mm
Wood dowel (21pcs)		Wood dowel (4pcs)		(4pcs)	

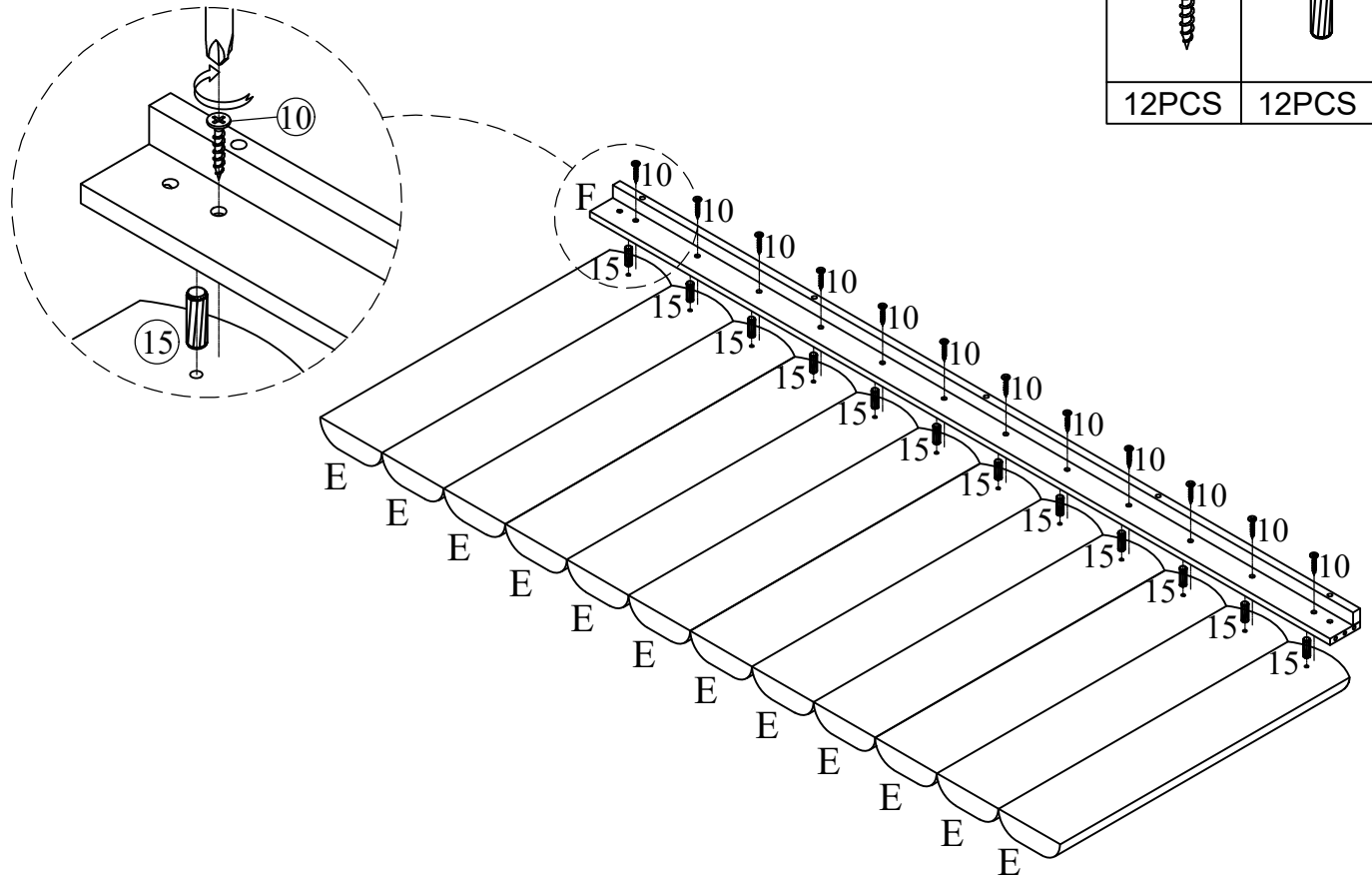
## ASSEMBLY TOOLS REQUIRED ( NOT INCLUDE)




PLEASE BE CAREFUL DO NOT DAMAGE THE HOLE POSITION WHEN YOU USE POWER TOOLS !

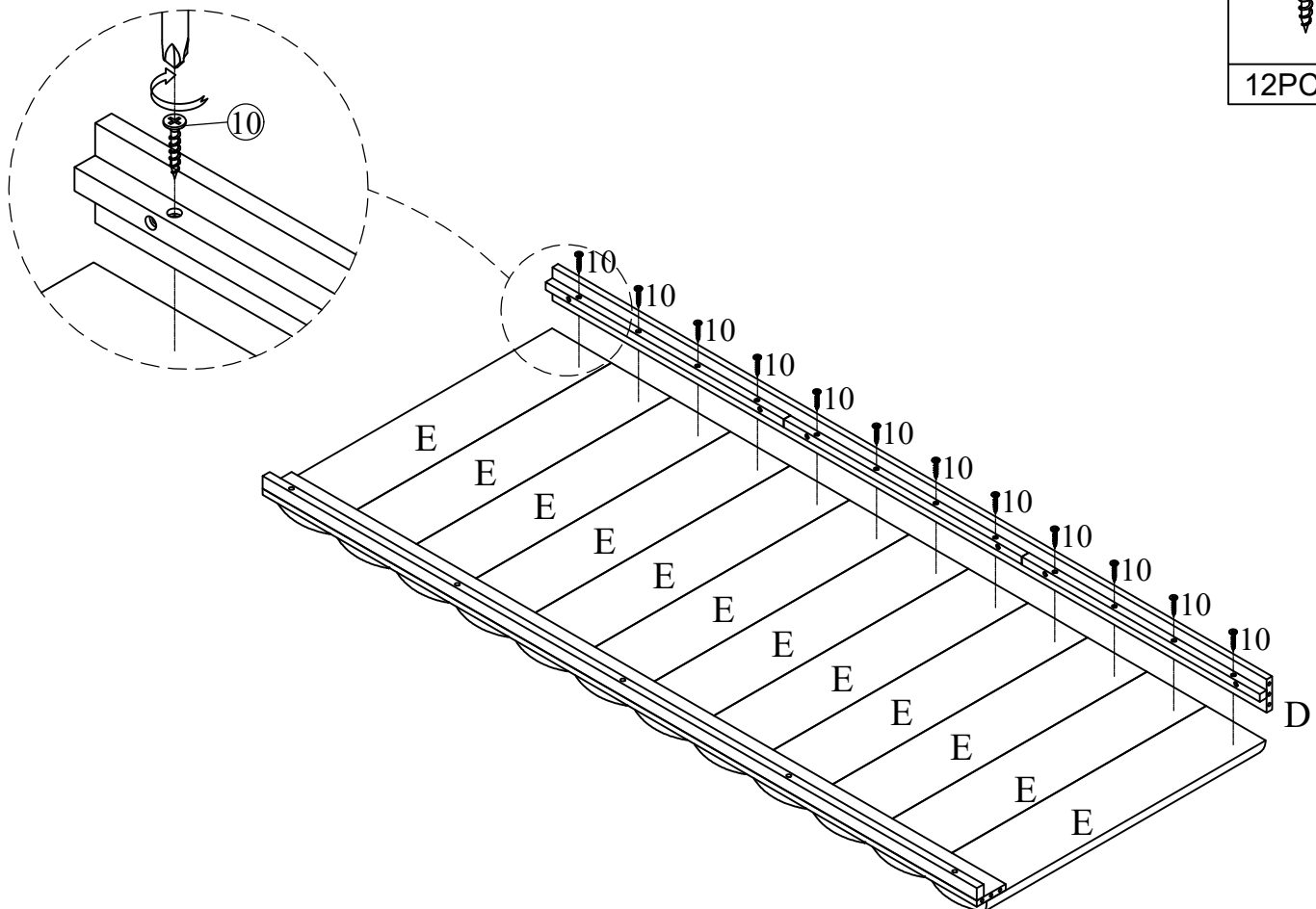
**STEP 1:**

10	15
	
12PCS	12PCS

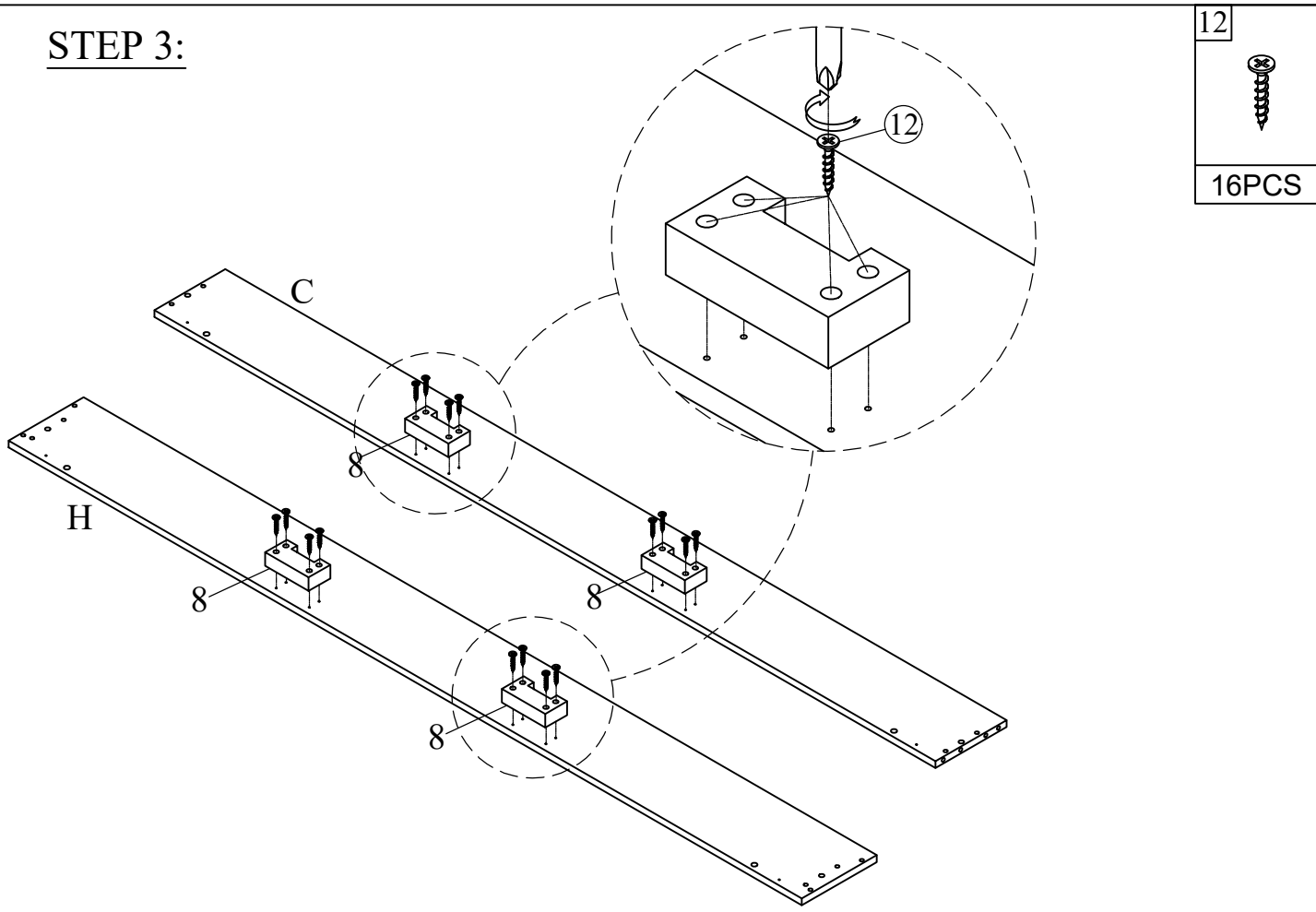


**STEP 2:**

10

12PCS

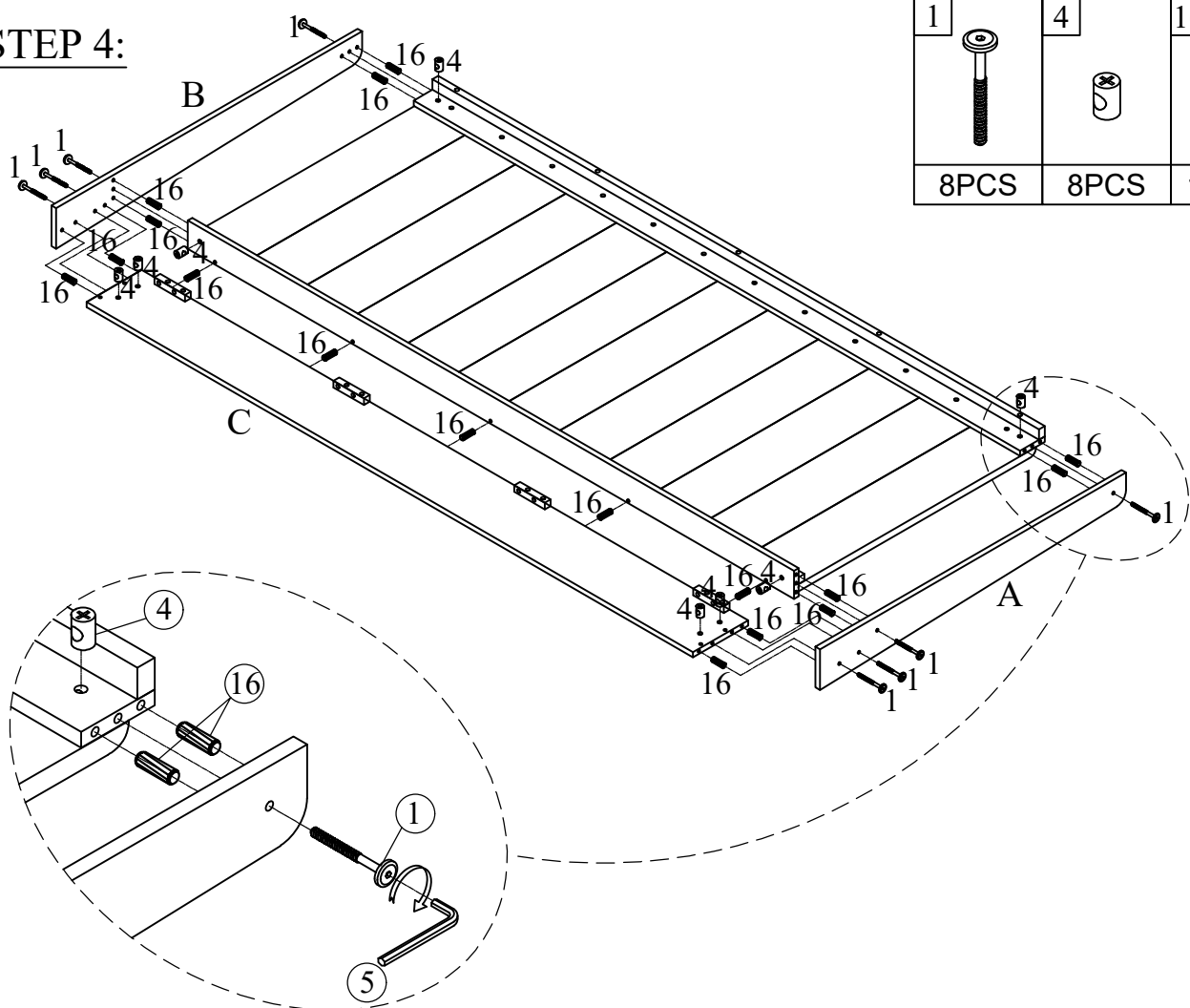


**STEP 3:**



12	
16PCS	

**STEP 4:**



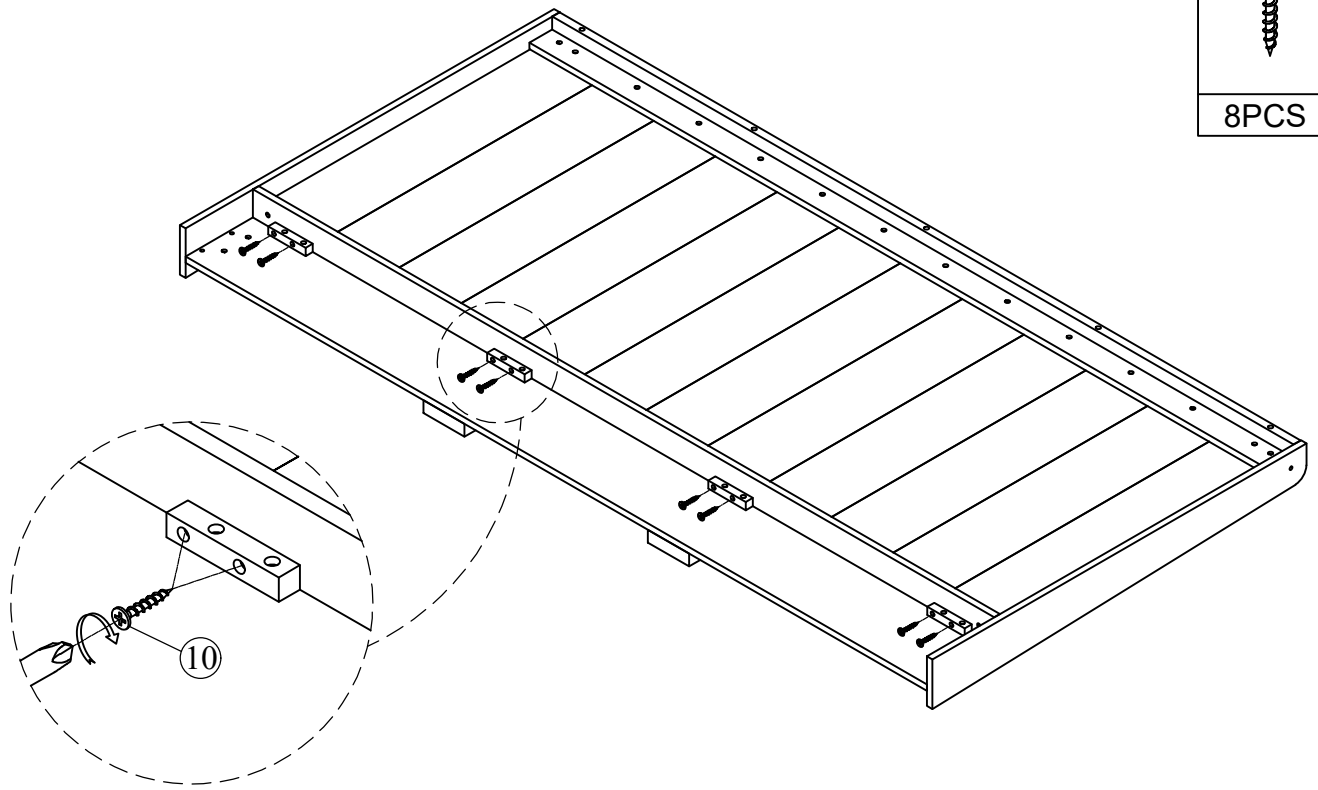
1	4	16
8PCS	8PCS	17PCS

**STEP 5:**

10

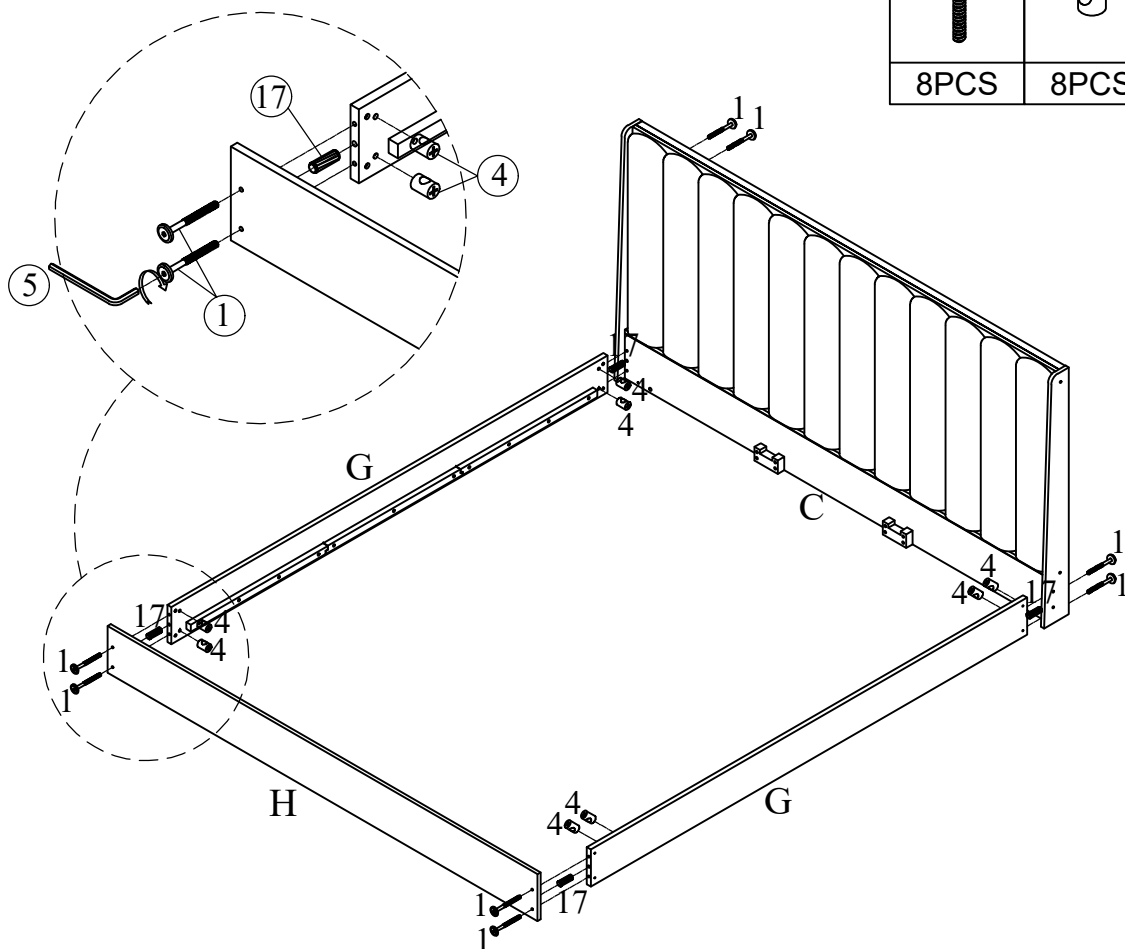


8PCS



**STEP 6:**

1	4	17
8PCS	8PCS	4PCS

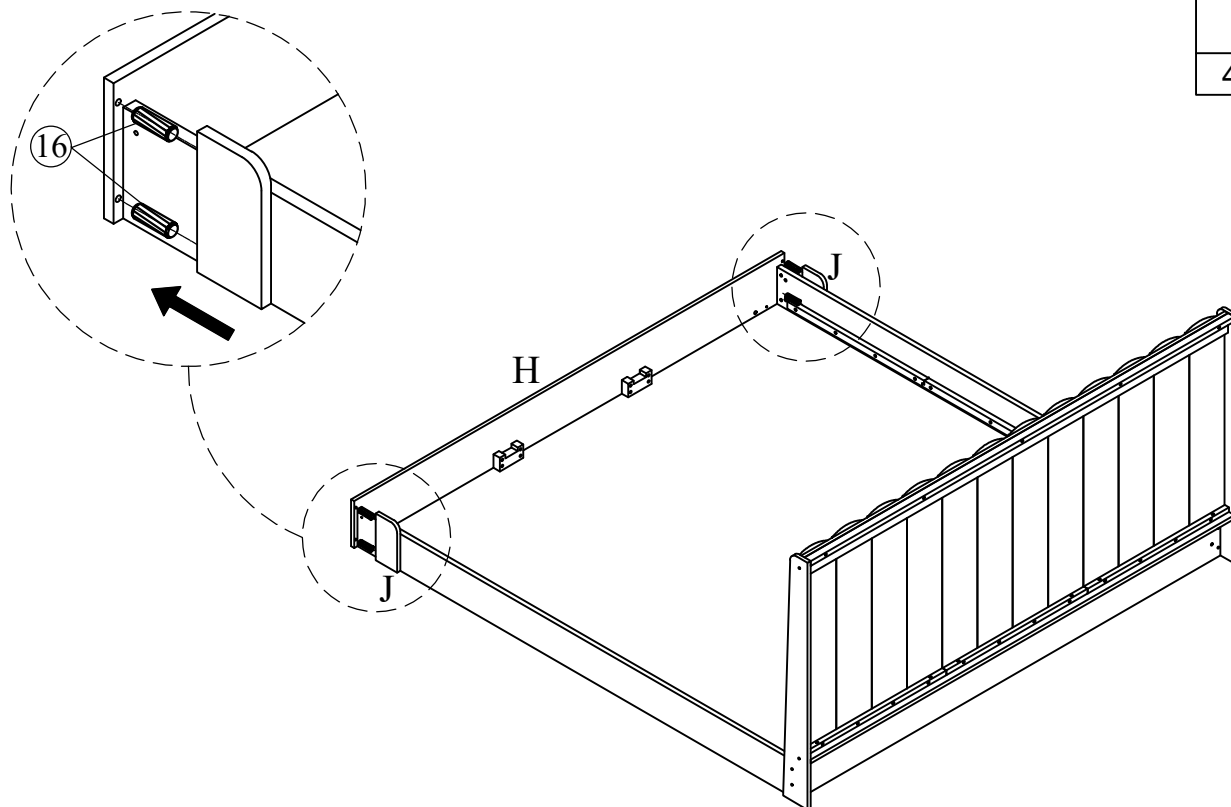


STEP 7:

16



4PCS

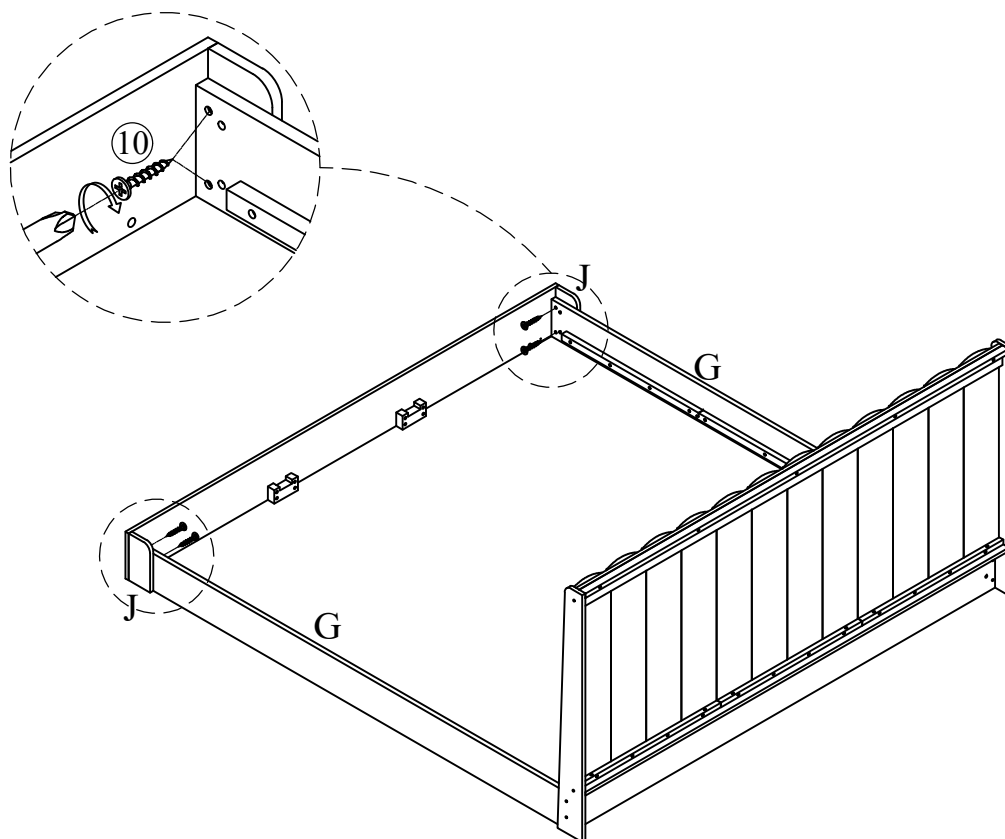


STEP 8:

10



4PCS

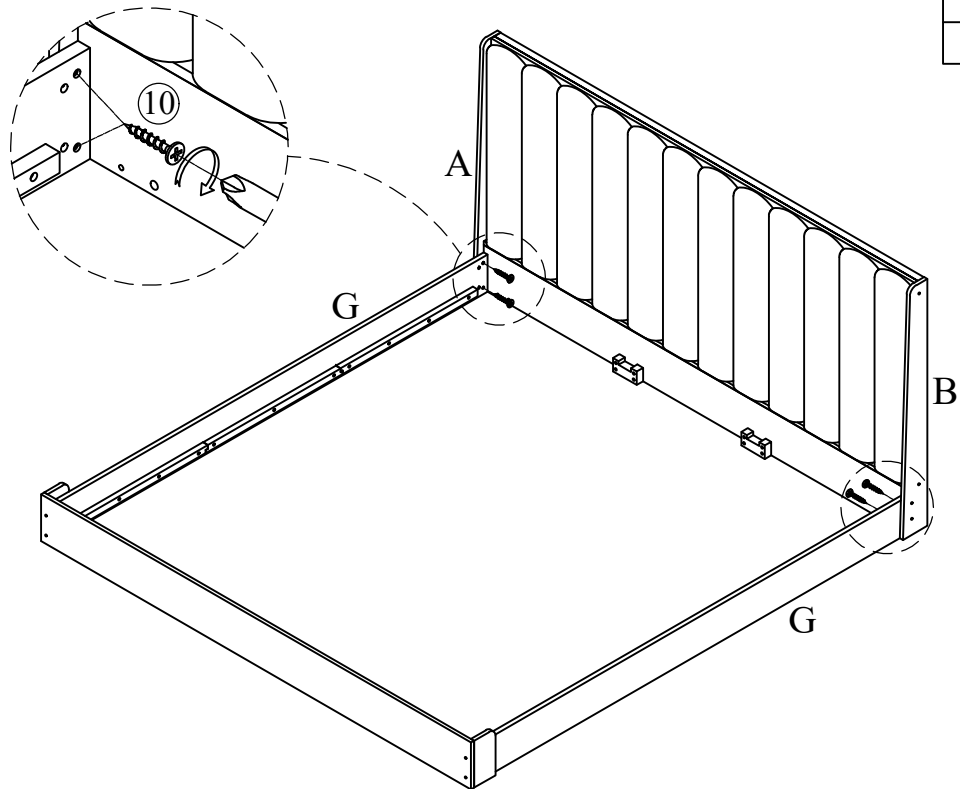


STEP 9:

10



4PCS



STEP 10:

11

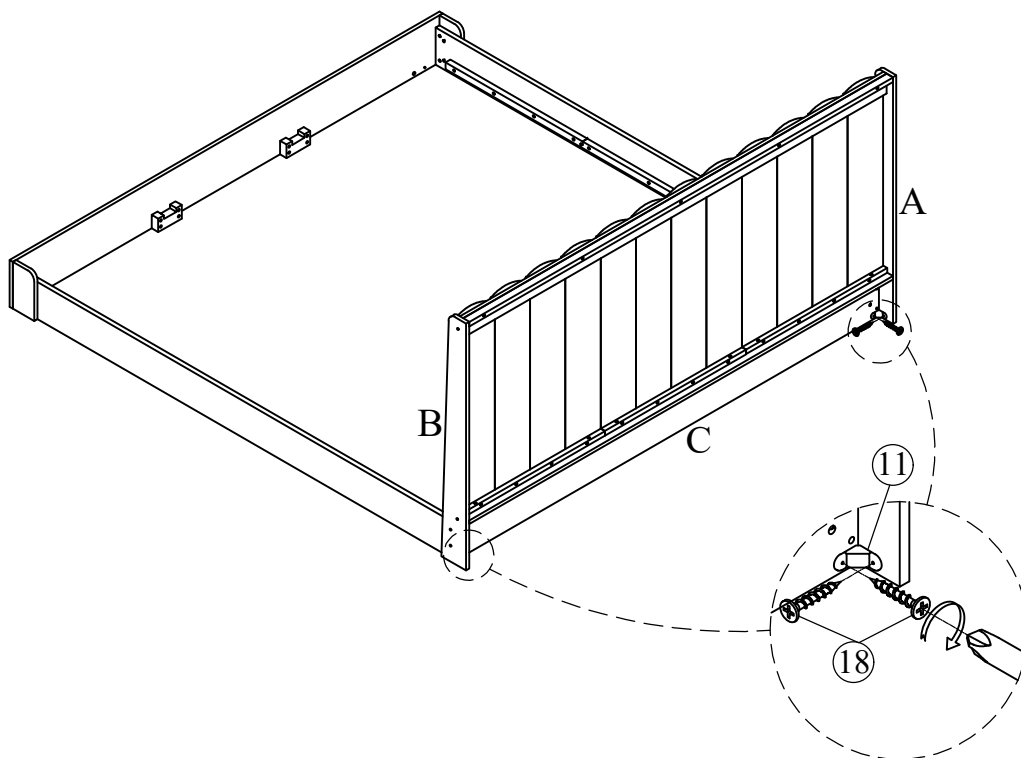


2PCS






18

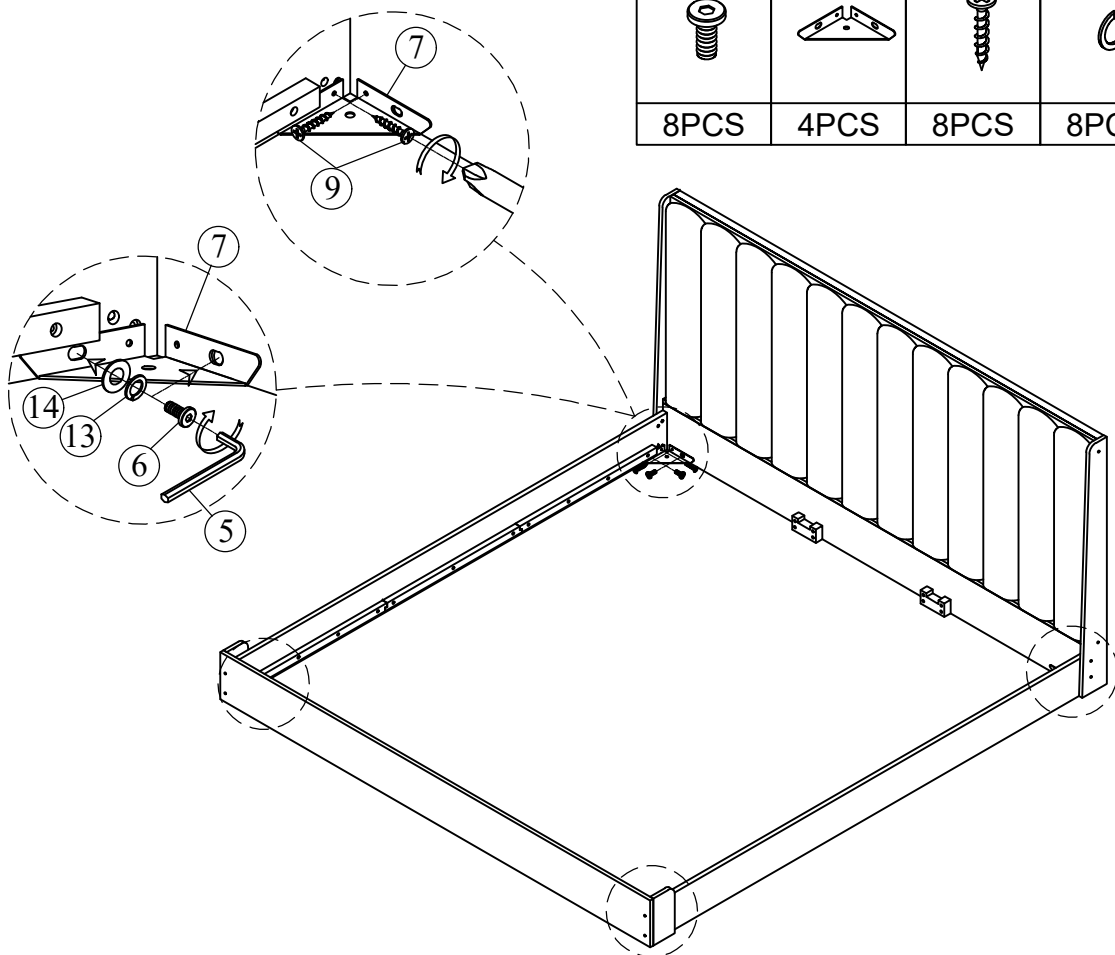


4PCS






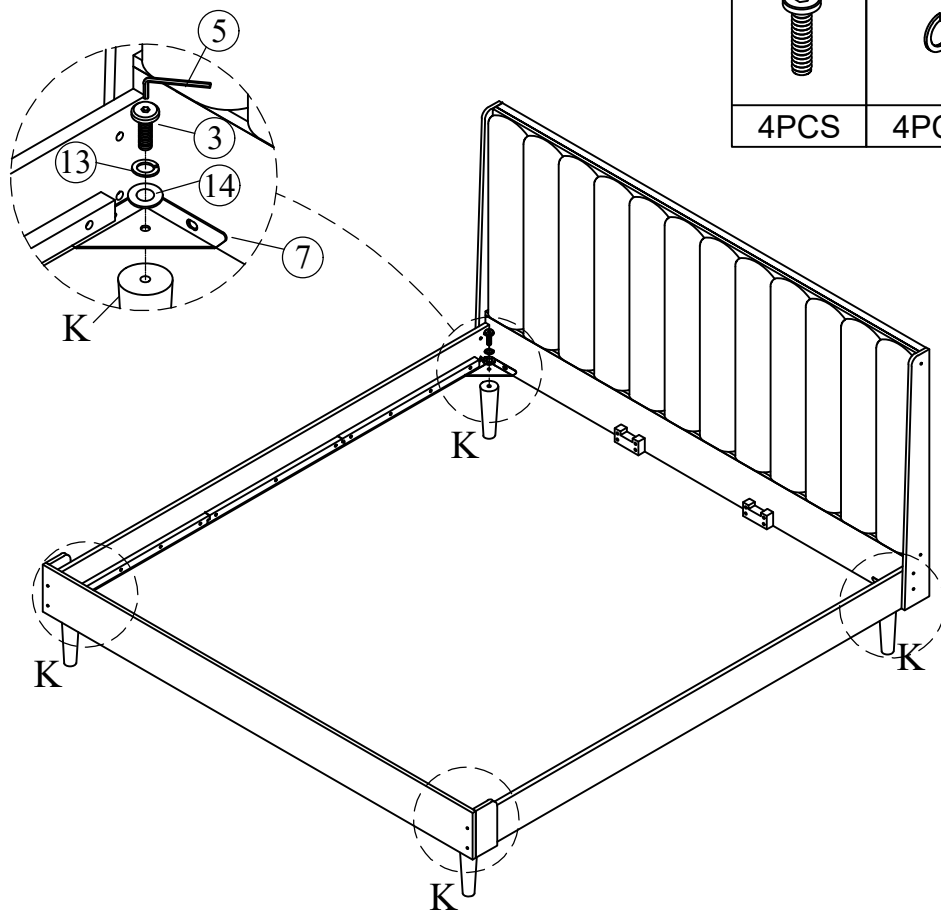
**STEP 11:**

6	7	9	13	14
				
8PCS	4PCS	8PCS	8PCS	8PCS

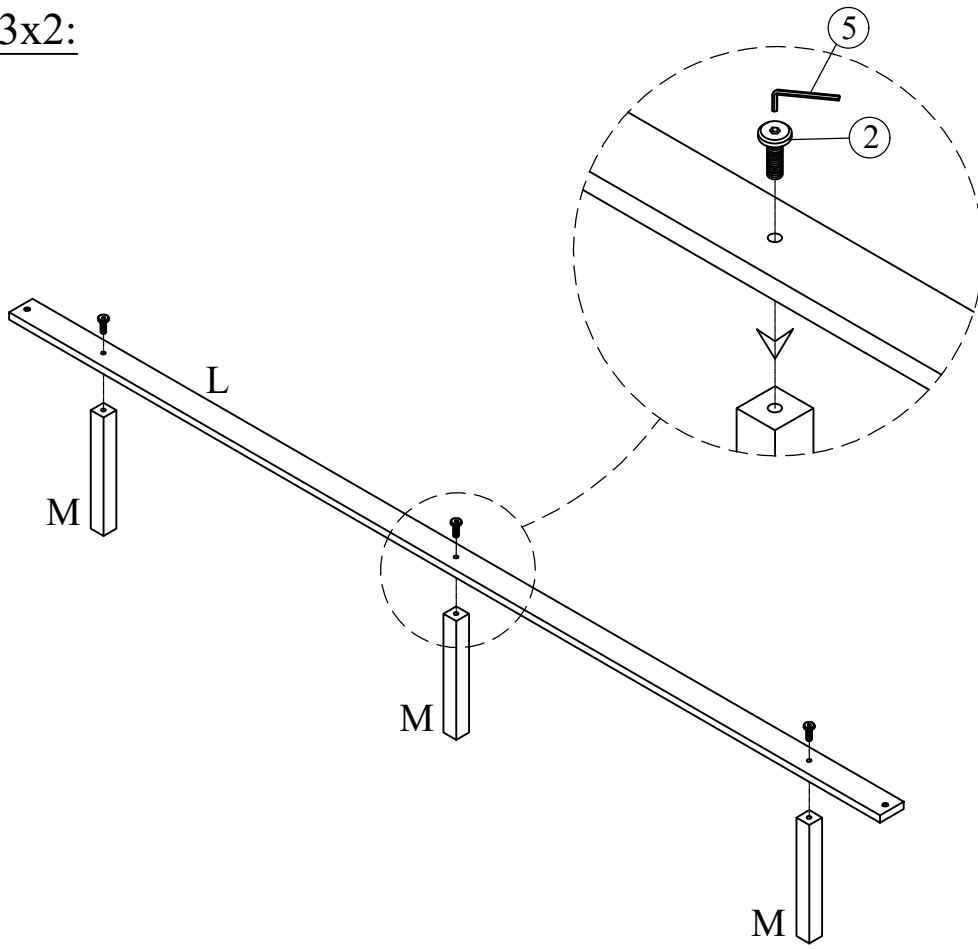


**STEP 12:**

3	13	14
		
4PCS	4PCS	4PCS



STEP 13x2:

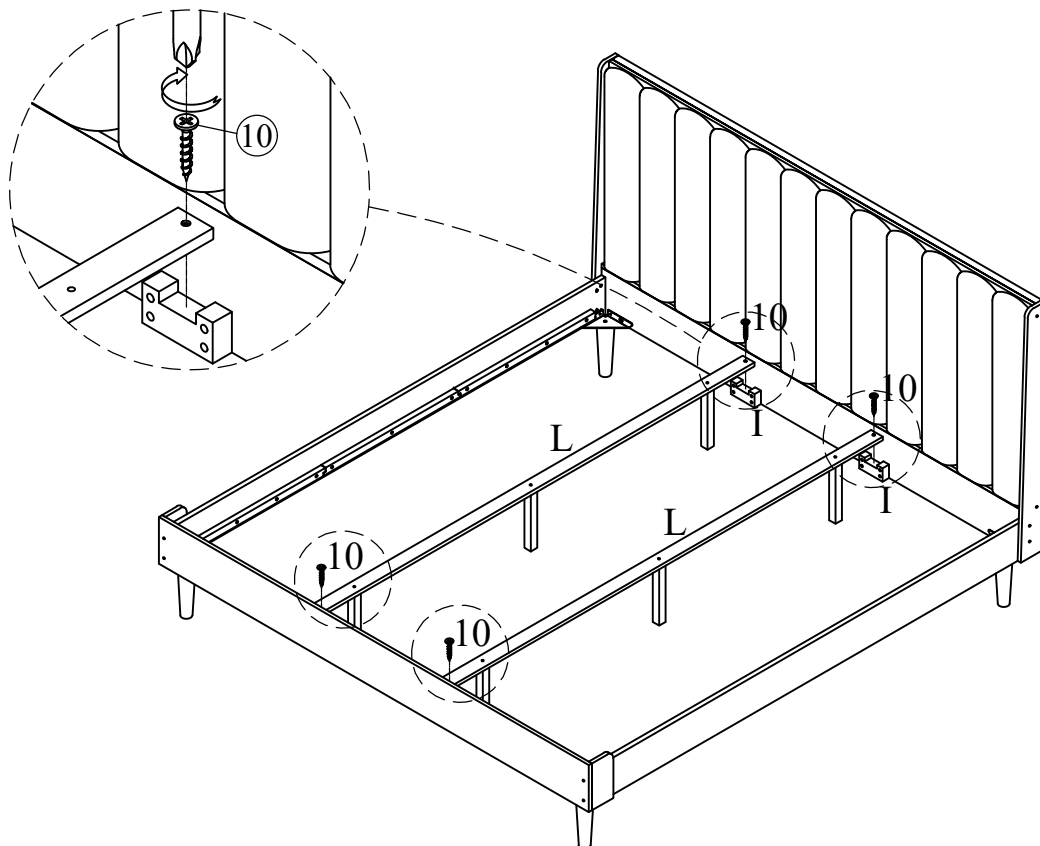


2



6PCS

STEP 14



10



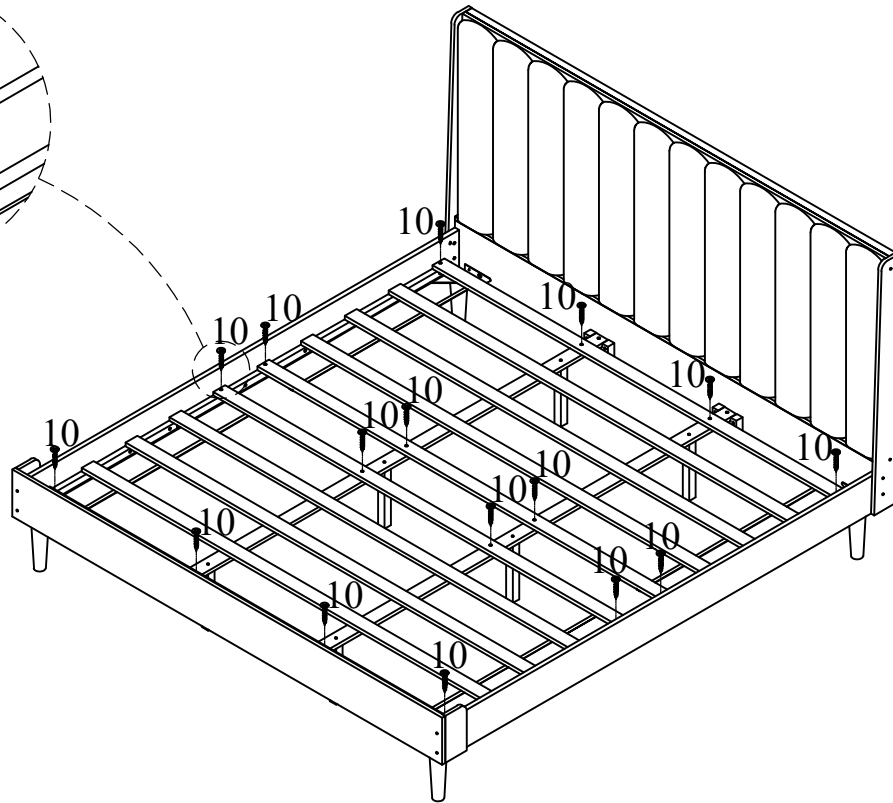
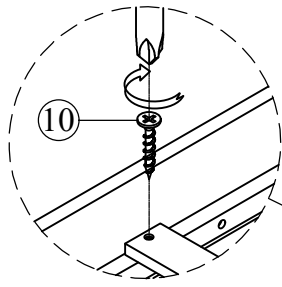
4PCS

STEP 15:

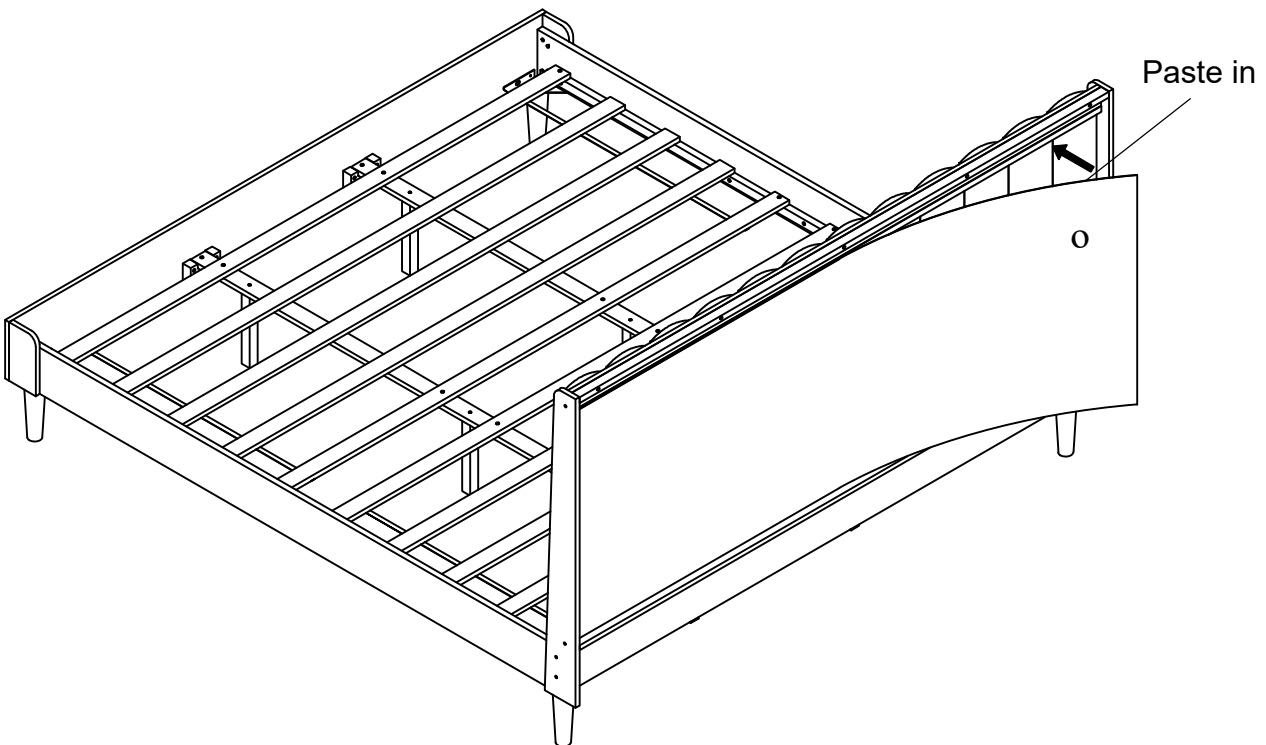
10



16PCS



STEP 16:



FINISH

