

ASSEMBLY INSTRUCTIONS

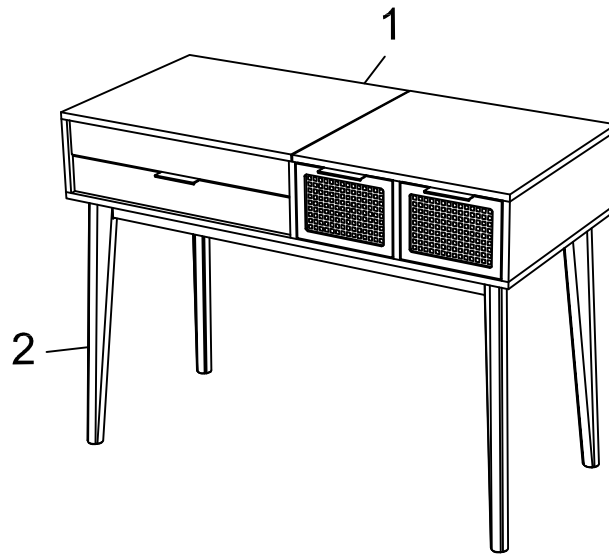
N704P165645 MAKEUP VANITI SET

IMPORTANT NOTE :

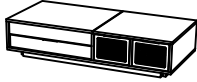

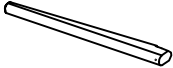








** PLACE ALL PARTS ON A CLEAN AND SMOOTH SURFACE SUCH AS A RUG OR CARPET TO AVOID THE PARTS FROM BEING SCRATCHED.

** BEFORE YOU BEGIN, KINDLY FOLLOW THE ASSEMBLY INSTRUCTIONS STEP BY STEP.

**DO NOT TIGHTEN ALL SCREWS AND BOLTS UNTIL THE TABLE IS FULLY SET-UP.

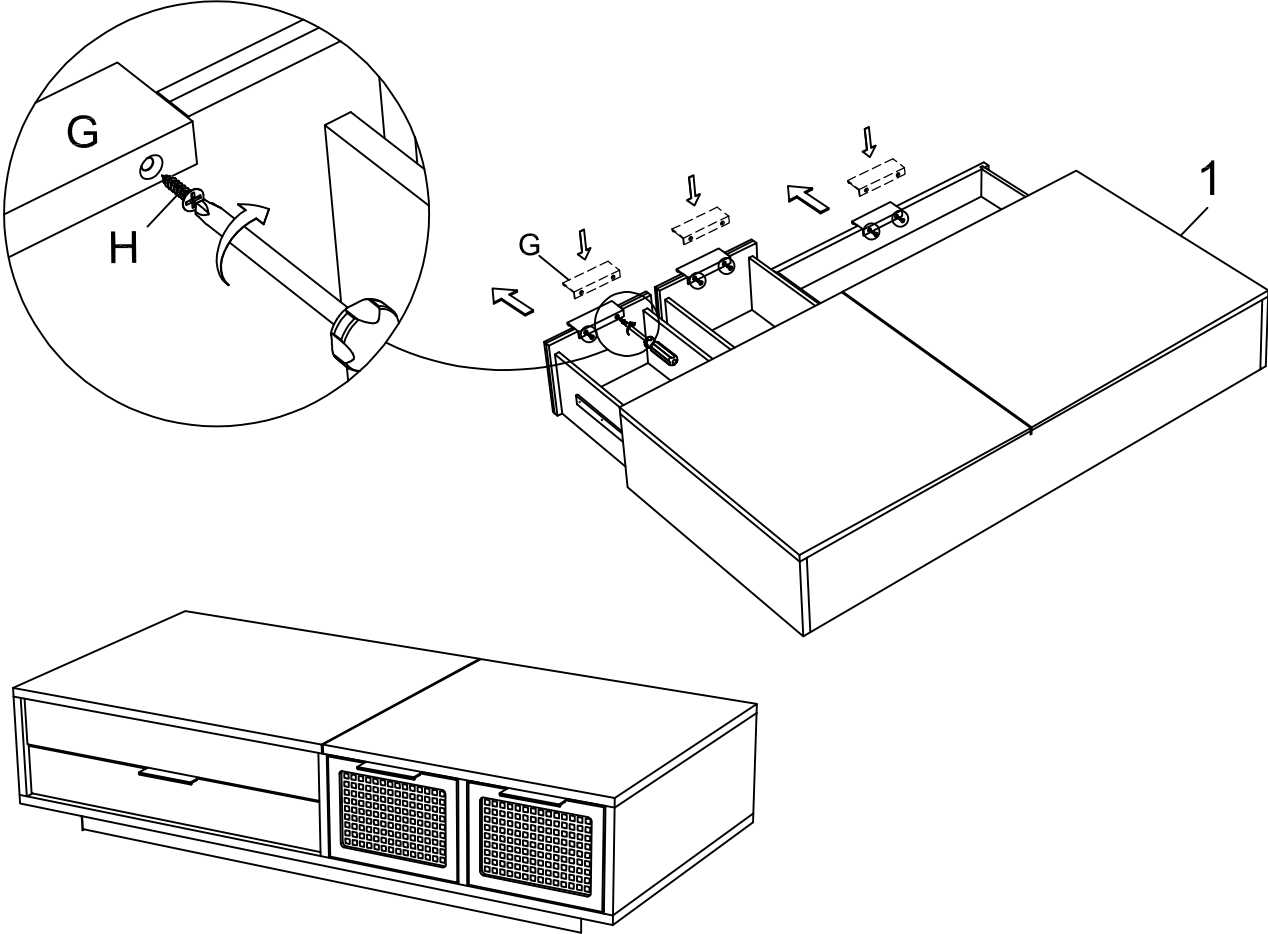


CARTONS ONLY ONE/ CARTONS SEULEMENT UN

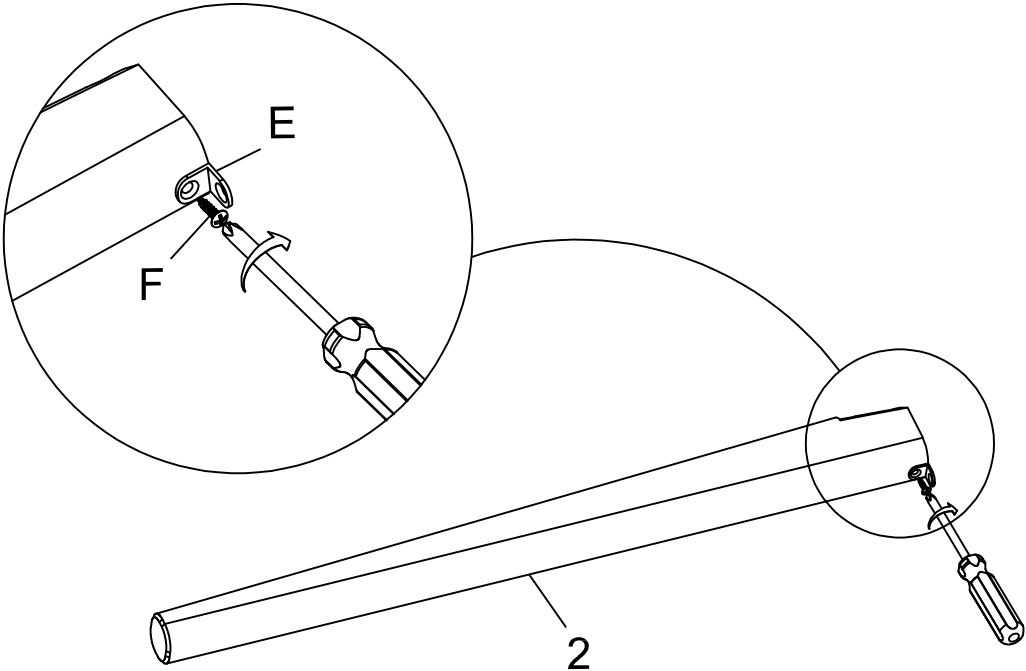
PART LISTS				HARDWARE LISTS			
NO.	DESCRIPTION	SKETCH	Q'TY	NO.	DESCRIPTION	SKETCH	Q'TY
1	TOP FRAME		1 PC	A	BOLT Ø 5/16" x 60mmL		8 PCS
2	LEGS		4 PCS	B	SPRING WASHER Ø 5/16" x 12 mm		8 PCS
				C	FLAT WASHER Ø 5/16" x 18 mm		8 PCS
				D	ALLEN WRENCH 4 mm		1 PC
				E	METAL PAT		4 PCS
				F	SCREW Ø 1/8" x 15 mm		8 PCS
				G	HANDLE		3 PCS
				H	SCREW Ø 1/8" x 12 mm		6 PCS
				I	TIPPING RESTRAINT		1 SET

ASSEMBLY INSTRUCTIONS

STEP 1 :

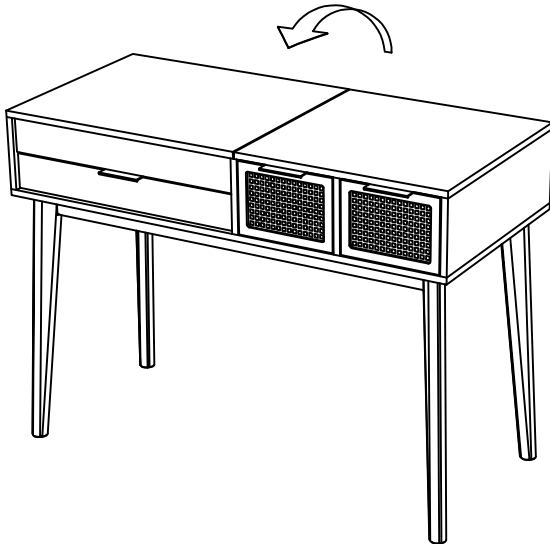
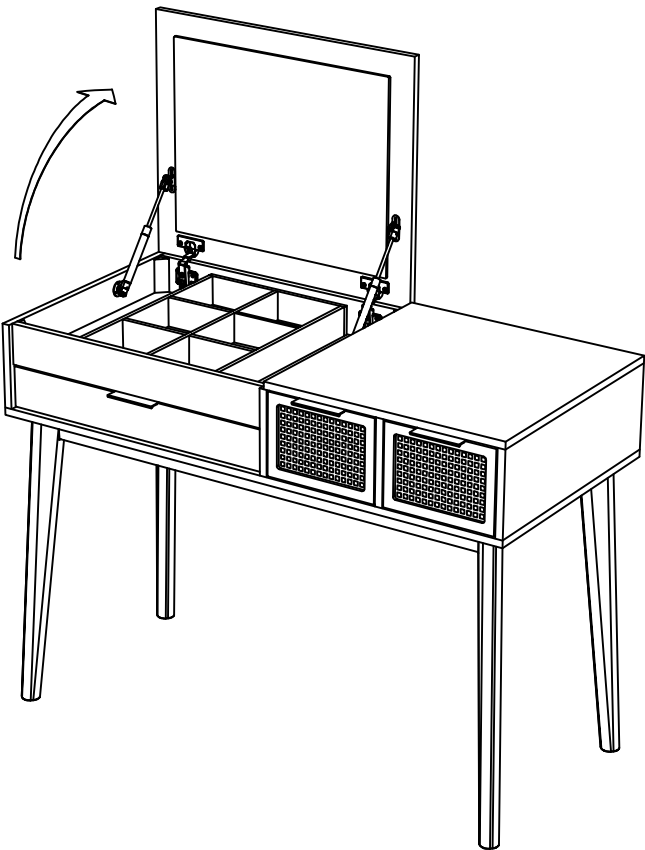
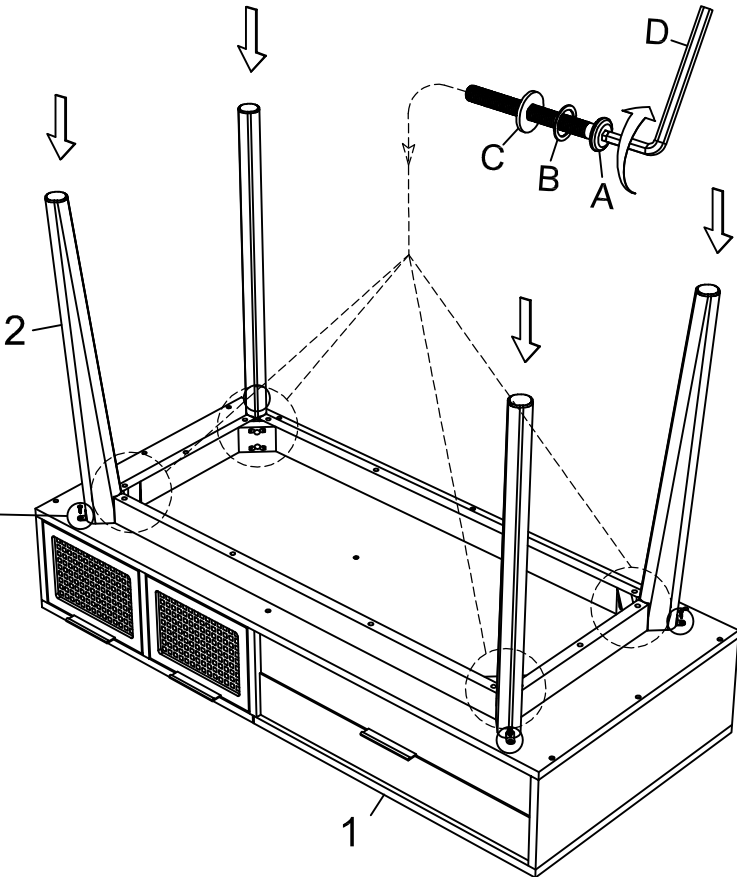
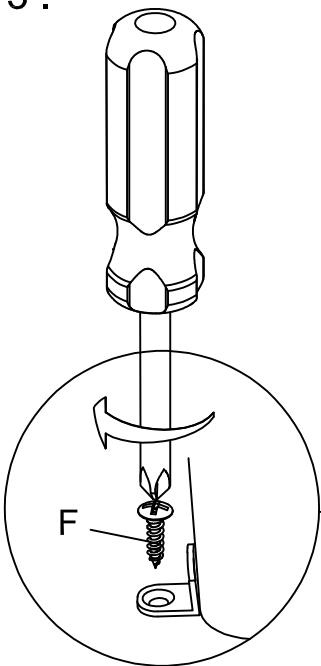


STEP 2 :



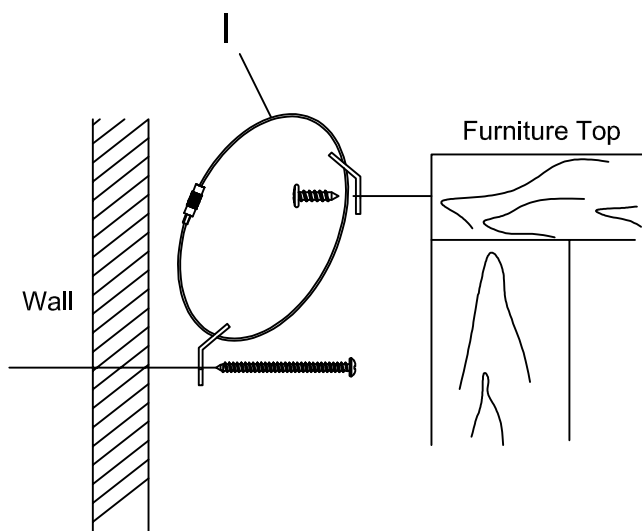
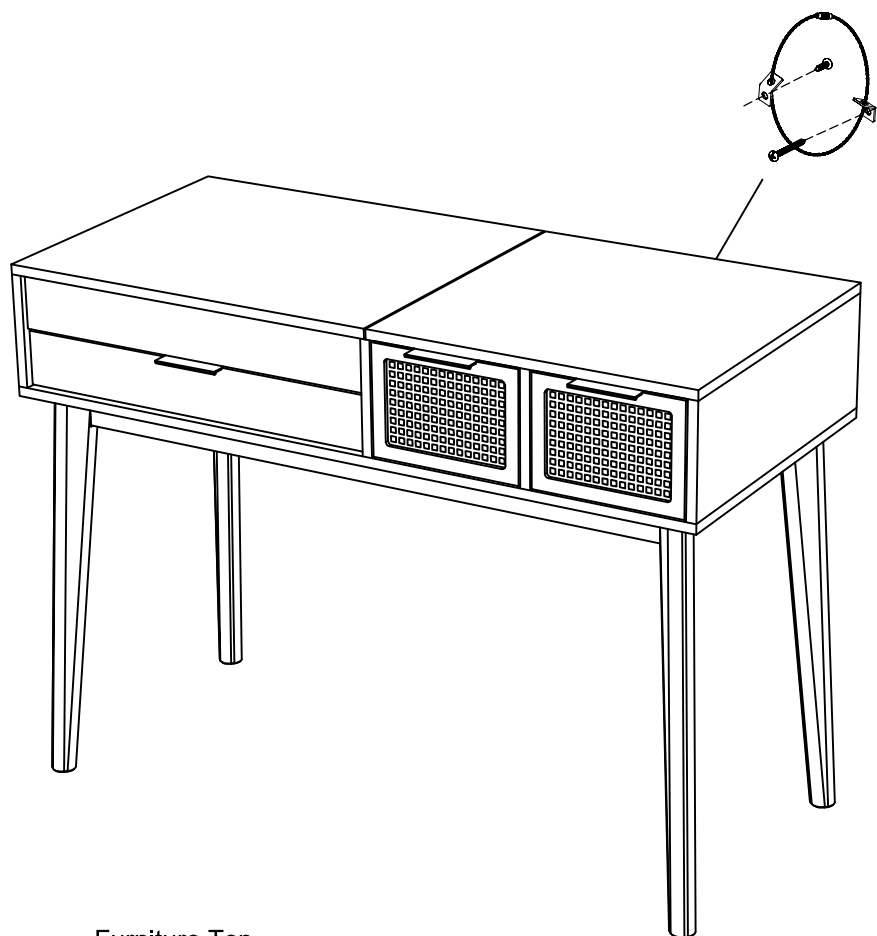
ASSEMBLY INSTRUCTIONS

STEP 3 :



ASSEMBLY INSTRUCTIONS

STEP 4 :



ASSEMBLY INSTRUCTIONS

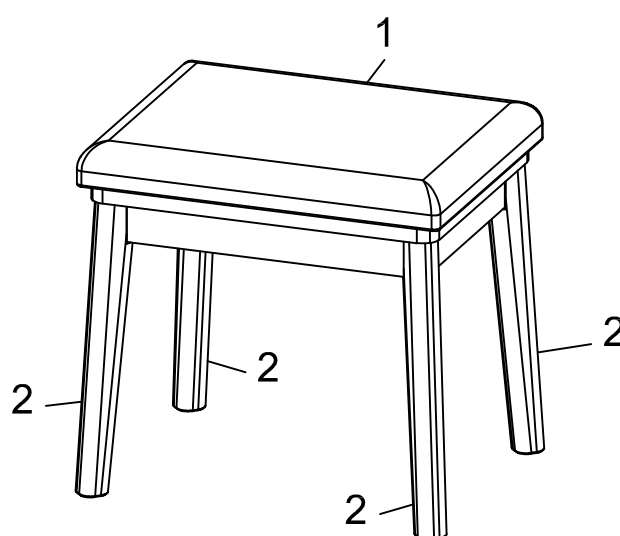
N704P165645 MAKEUP VANITI SET

IMPORTANT NOTE :

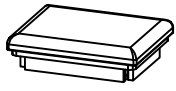





** PLACE ALL PARTS ON A CLEAN AND SMOOTH SURFACE SUCH AS A RUG OR CARPET TO AVOID THE PARTS FROM BEING SCRATCHED.

** BEFORE YOU BEGIN, KINDLY FOLLOW THE ASSEMBLY INSTRUCTIONS STEP BY STEP.

**DO NOT TIGHTEN ALL SCREWS AND BOLTS UNTIL THE STOOL IS FULLY SET-UP.



CARTONS ONLY ONE/ CARTONS SEULEMENT UN

PART LISTS				HARDWARE LISTS			
NO.	DESCRIPTION	SKETCH	Q'TY	NO.	DESCRIPTION	SKETCH	Q'TY
1	TOP FRAME		1 PC	A	BOLT Ø 1/4" x 60mmL		8 PCS
2	LEGS		4 PCS	B	SPRING WASHER Ø 1/4" x 12 mm		8 PCS
				C	FLAT WASHER Ø 1/4" x 18 mm		8 PCS
				D	ALLEN WRENCH 4 mm		1 PC

ASSEMBLY INSTRUCTIONS

STEP 1 :

