






# SINGLE NIGHT STAND

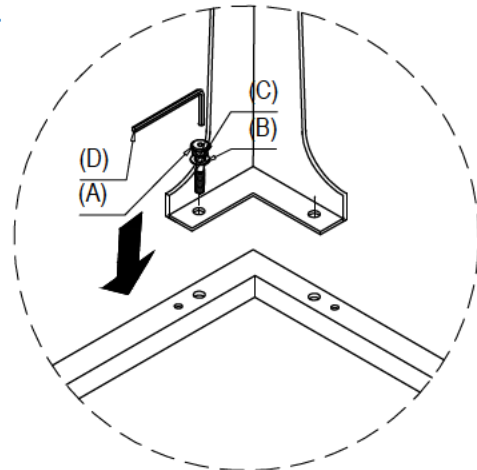
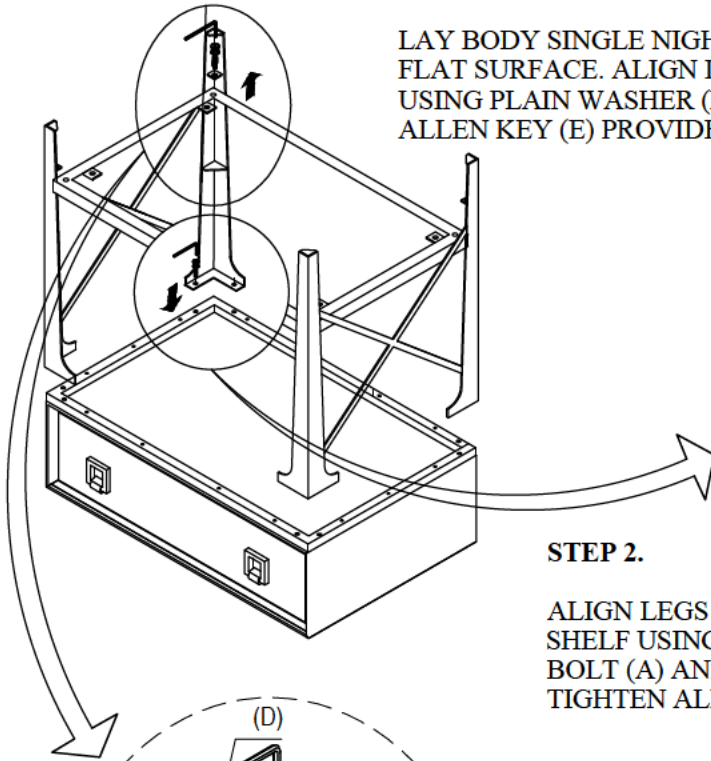
## Hardware List

A	B	C	D	
ALLEN BOLT M6 X 20 (12 PCS.)	FLAT W. M6 12 PCS.	SPRING W. M6 12 PCS.	ALLEN KEY L4 (FOR ALLEN BOLT) 1 PC.	
				

## Assembly Instruction

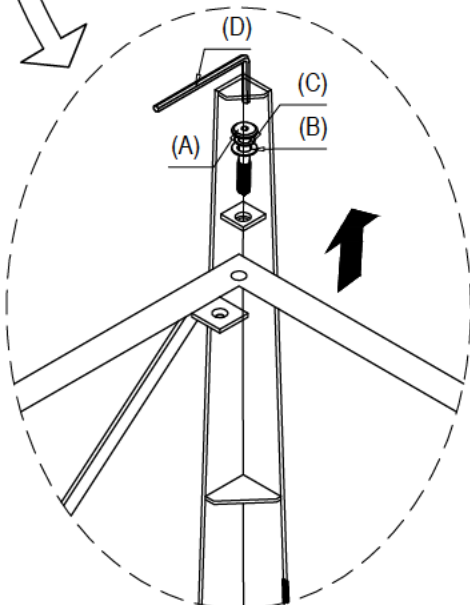
### STEP 1.

LAY BODY SINGLE NIGHTSTAND UPSIDE DOWN ON A SOFT, CLEAN AND FLAT SURFACE. ALIGN LEGS TO HOLES ON CORNER AND CONNECT USING PLAIN WASHER (B), SPRING WASHER (C), ALLEN BOLT (A) AND ALLEN KEY (E) PROVIDED.



### STEP 2.

ALIGN LEGS TO HOLES ON CORNER AND CONNECT BOTTOM SHELF USING PLAIN WASHER (B), SPRING WASHER (C), ALLEN BOLT (A) AND ALLEN KEY (E) PROVIDED. TIGHTEN ALL.



### STEP 3

PUT THE GLASS SHELF ON MIDDLE LEGS.

