

# ASSEMBLY INSTRUCTION



SKU: 105C

## **Dear customer,**

Thank you very much for buying our items. Please read the assembly instruction carefully before assembly.

## **Notices:**

- Verify that all parts are present and in good condition before assembly.
- Make sure to use 4 shorter screws (C) to fix the legs, 4 longer screws (D) to fix the seat.
- Be sure that the Longer leg is in front of the seat.
- Put the chair on a clean flat surface.
- Clean with a dry cloth.
- If you find that four legs are unlevel after assembly, you can use adjustable leg pegs to keep four legs level.

## **Contact us**

If there are installation problems, damage, missing parts, or any questions and concerns, please contact the shop where you bought it so we can make things right.

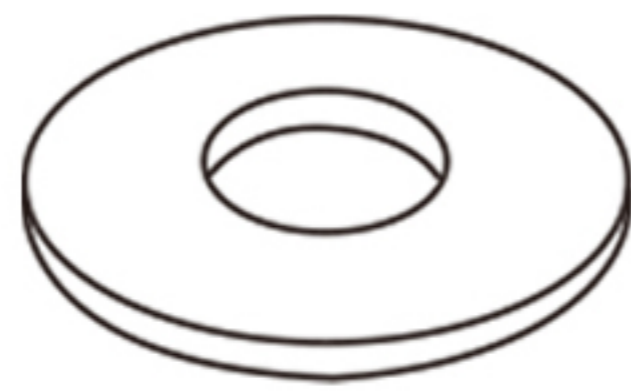
If the product is damaged, please send the following information:

- Photos that show the reason for your claim/damage.
- Photos of the packaging (inside and outside).

Thank you very much for your support!

# Package Contents

A×4



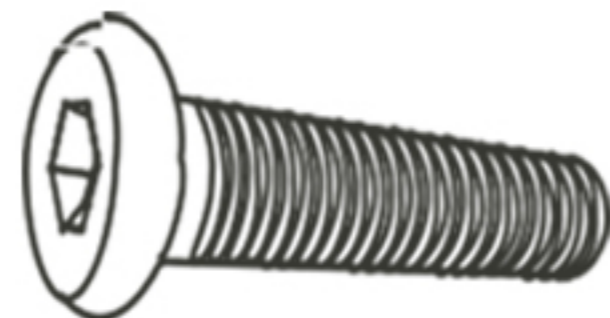
WASHER

B×1



SPANNER

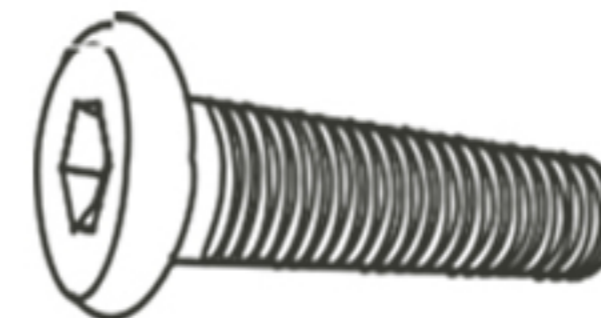
C×4



12

SCREWS

D×4



25

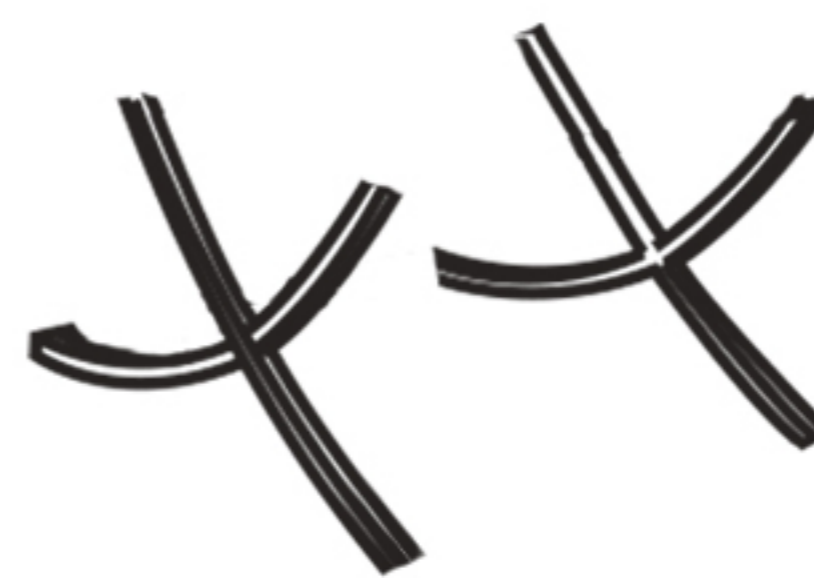
SCREWS

E×1



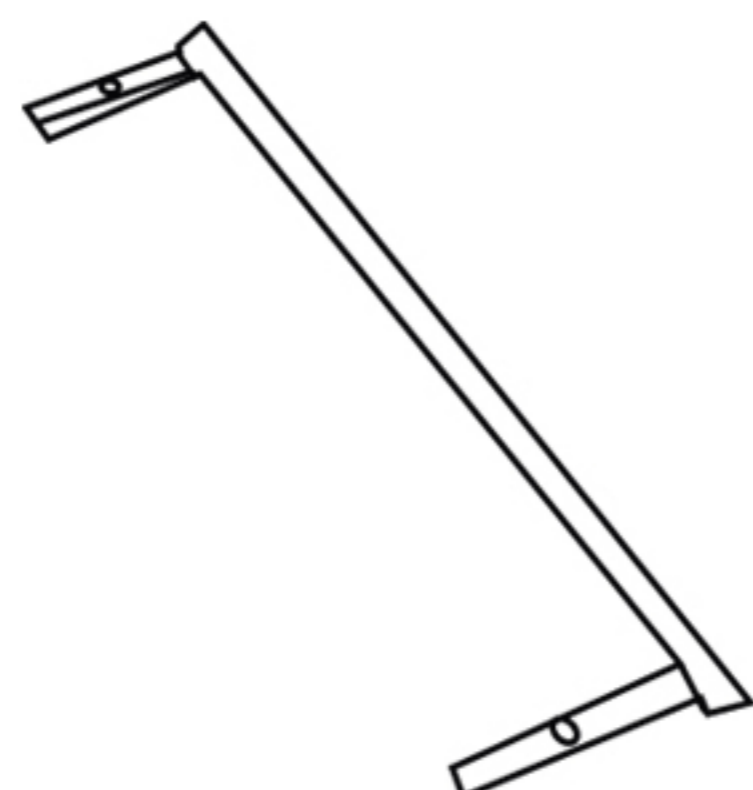
SEAT

F×2



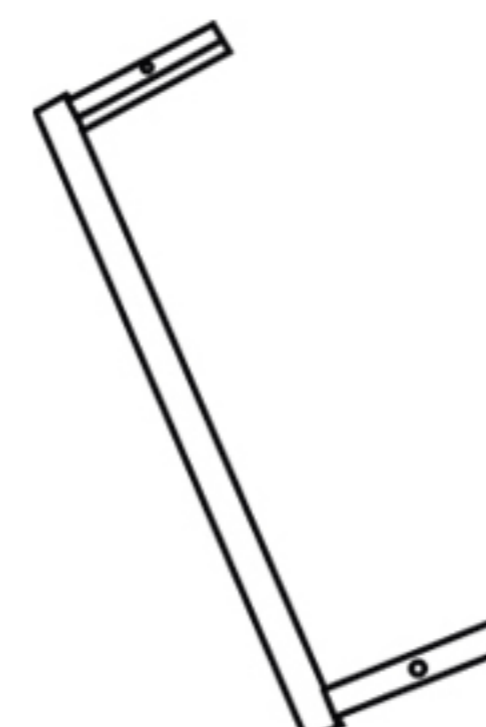
"X" SHAPES

G×1



LONGER LEGS

H×1

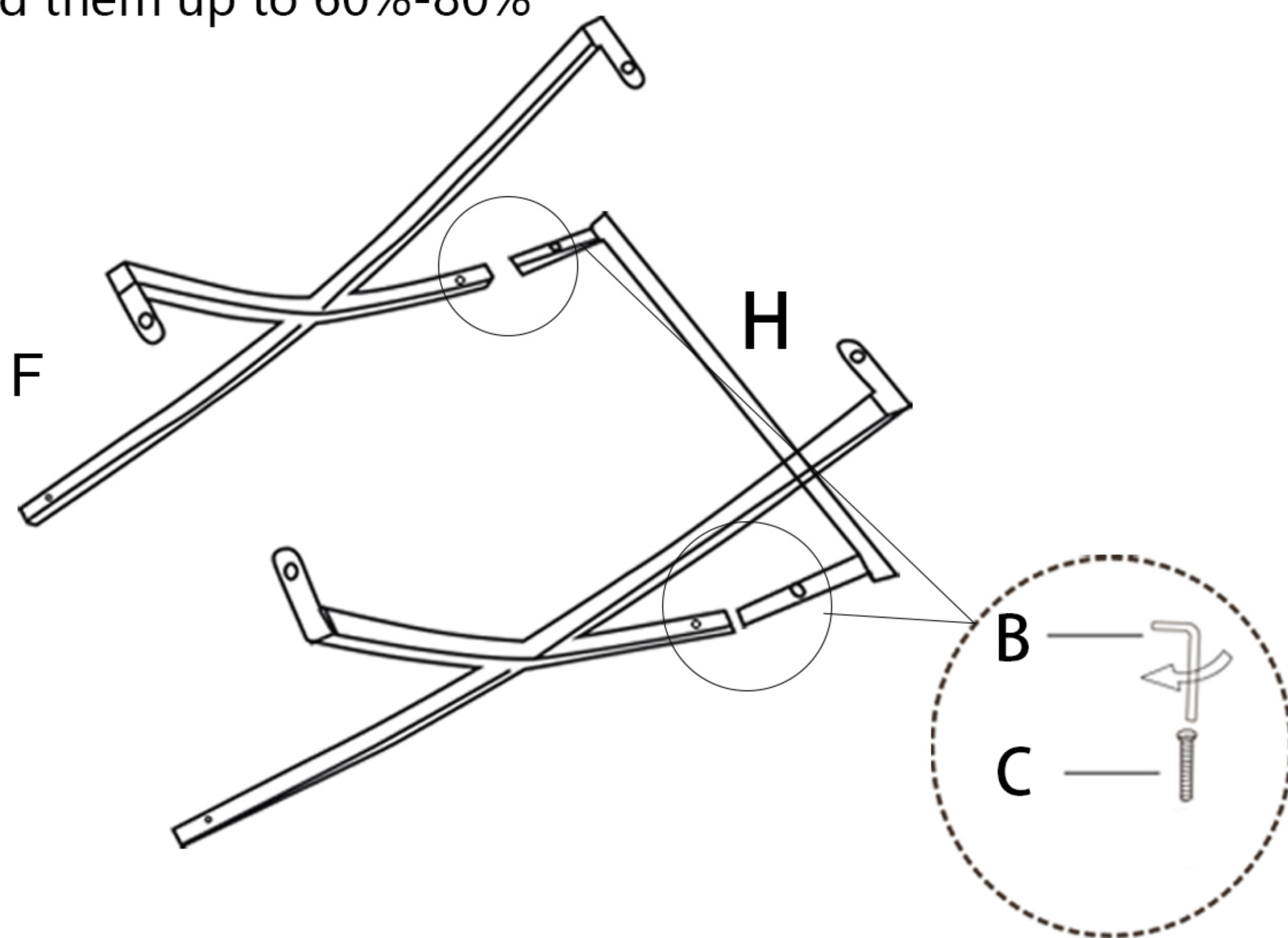


SHORTER LEGS

# Step by Step Guide

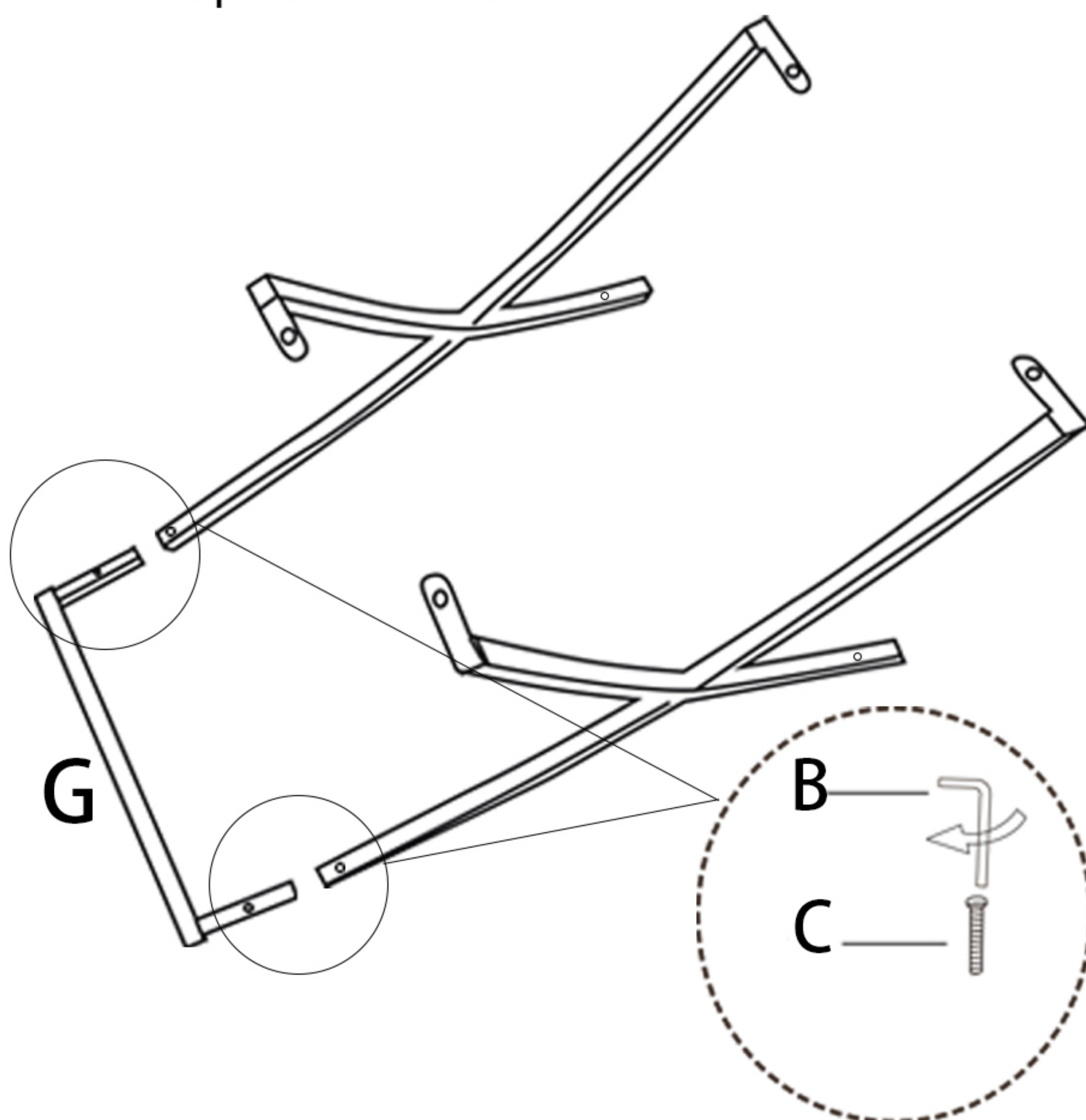
- 1** Taking the longer leg align the holes of the X- shapes by using screws (C).

Tightened them up to 60%-80%

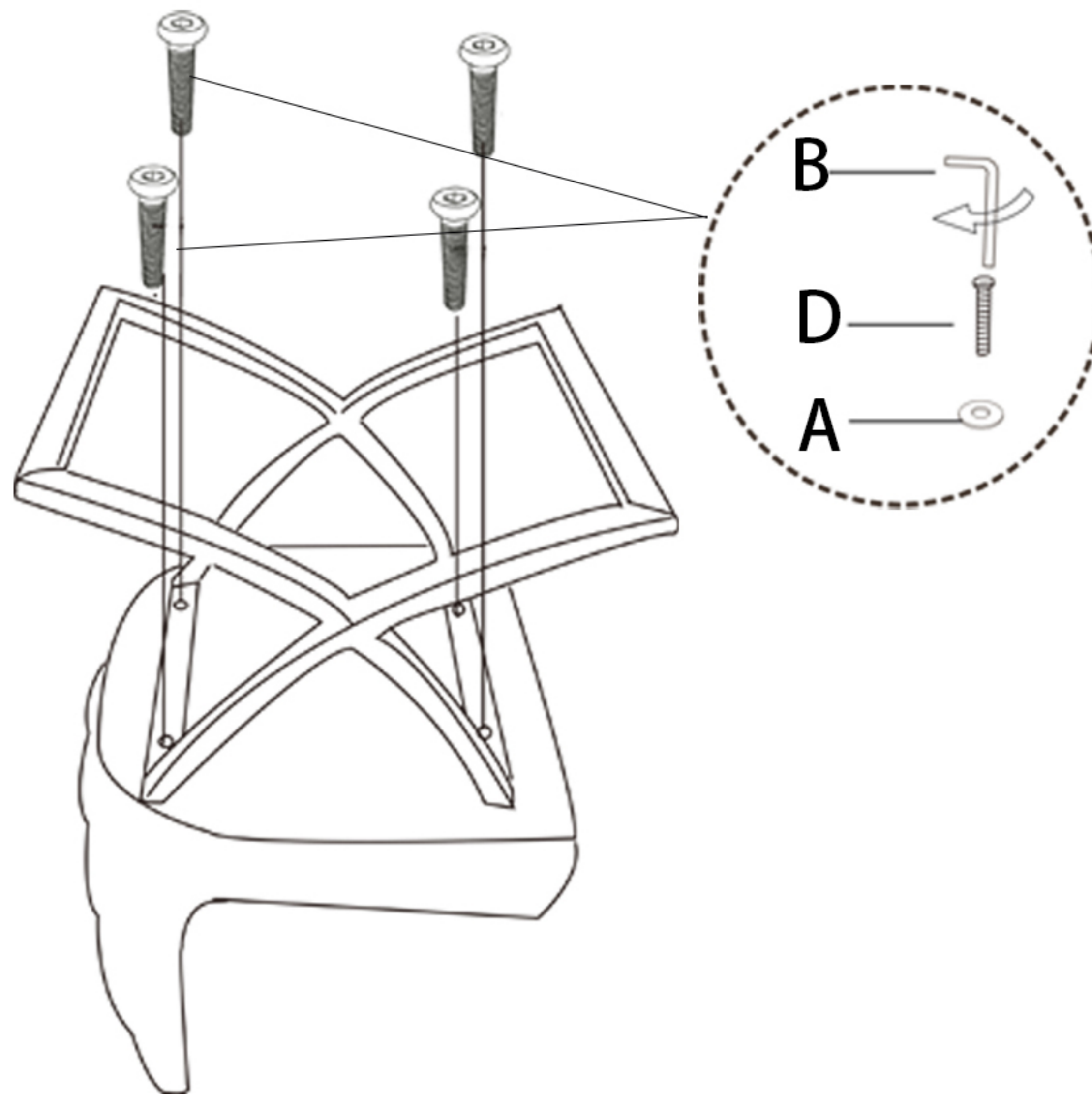


- 2** Taking the shorter leg align the holes of the X- shapes by using screws (C).

Tightened them up to 60%-80%

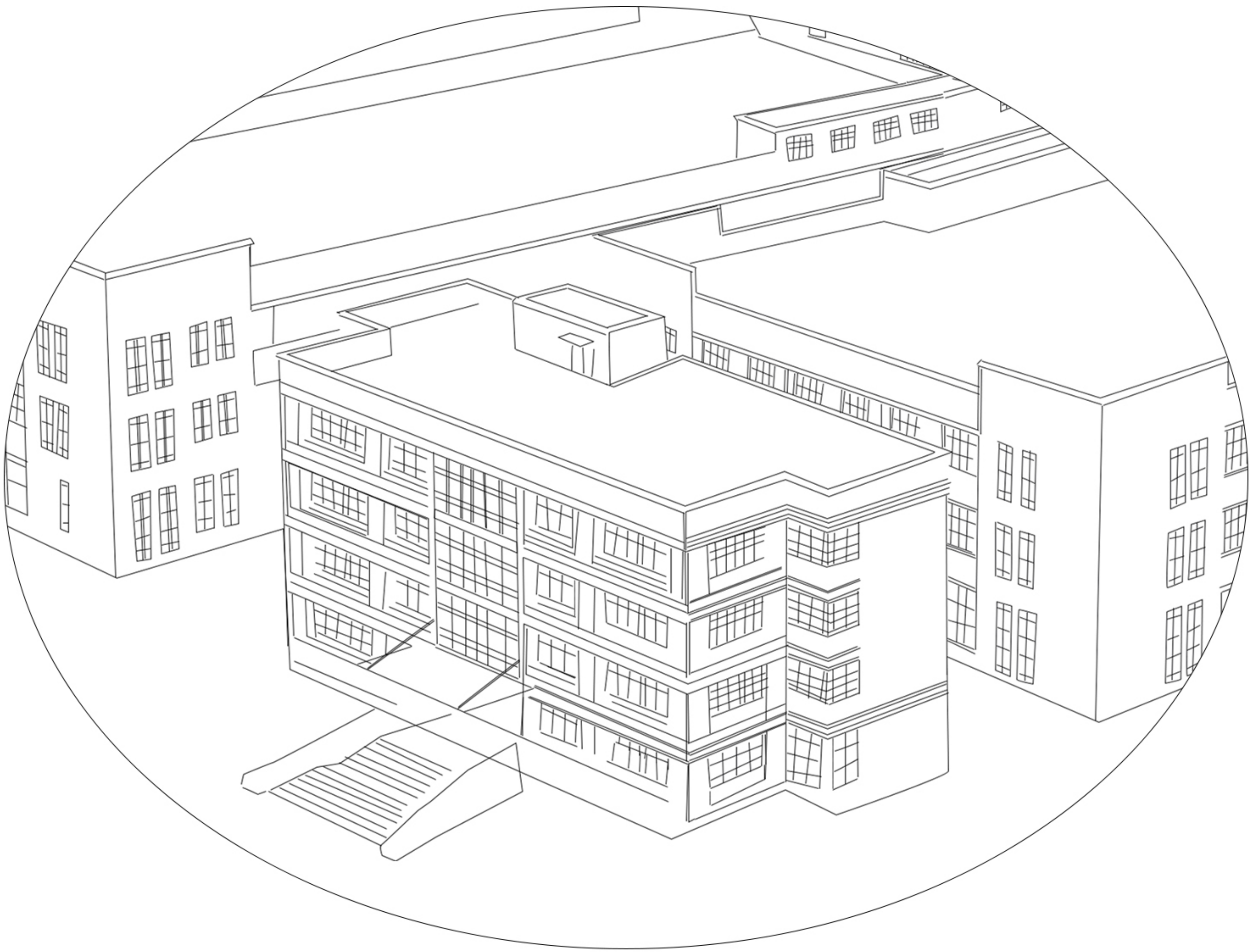


- 3** Be sure that the longer leg (G) is in front of the seat.  
Taking the whole frame align the holes of the seat back by using the screws (D) with the washer (A), Tightened them up to 100%.



- 4** Tighten all the screws up to 100%.  
Sit on the chair, and check whether the chair is steady or not.  
If not, please check all of the screws are tightened.





## About us

We are a professional manufactory for making and selling dining chairs. In the past 15 years, we have exported millions of chairs to Europe and USA.

We focus on providing you with high-quality products that meet international standards. To ensure timely shipping, we have built large warehouses in California, New York, and Georgia.