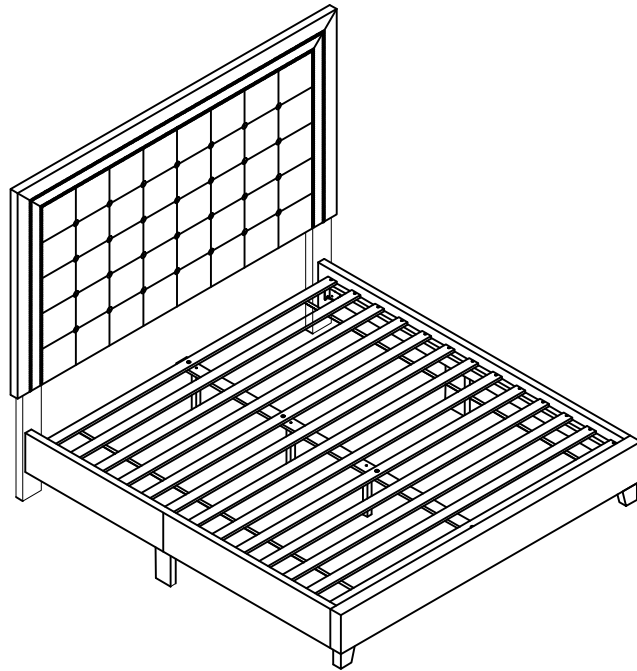
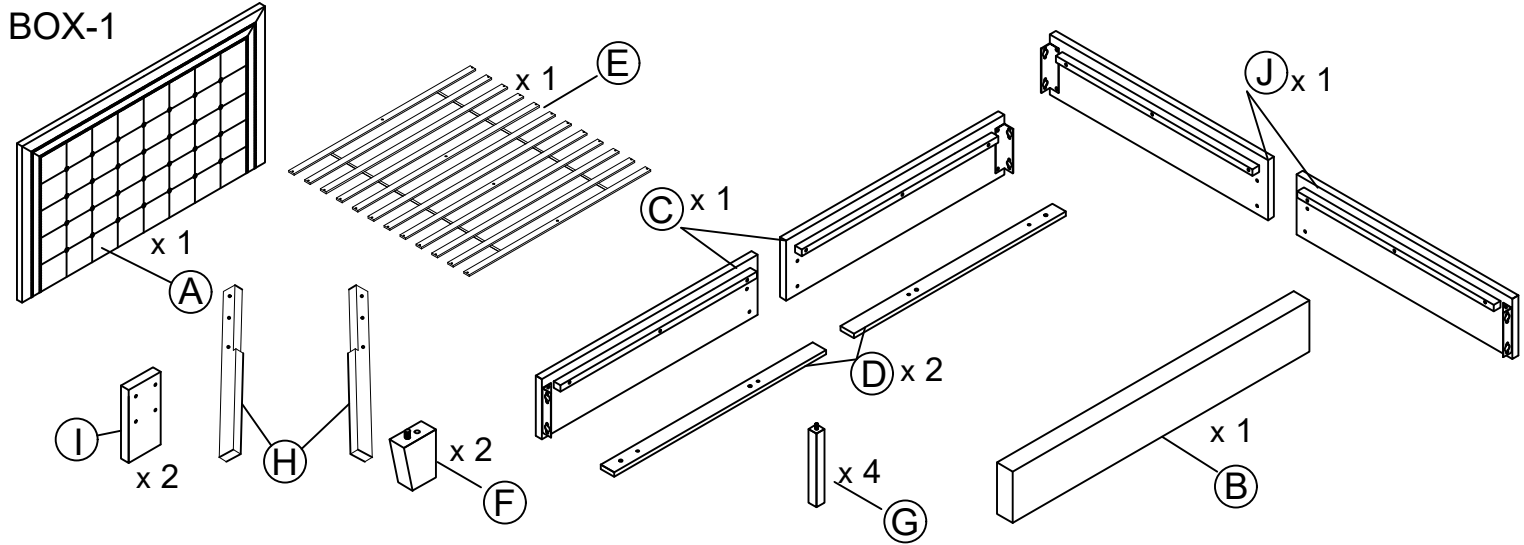


ASSEMBLY INSTRUCTION



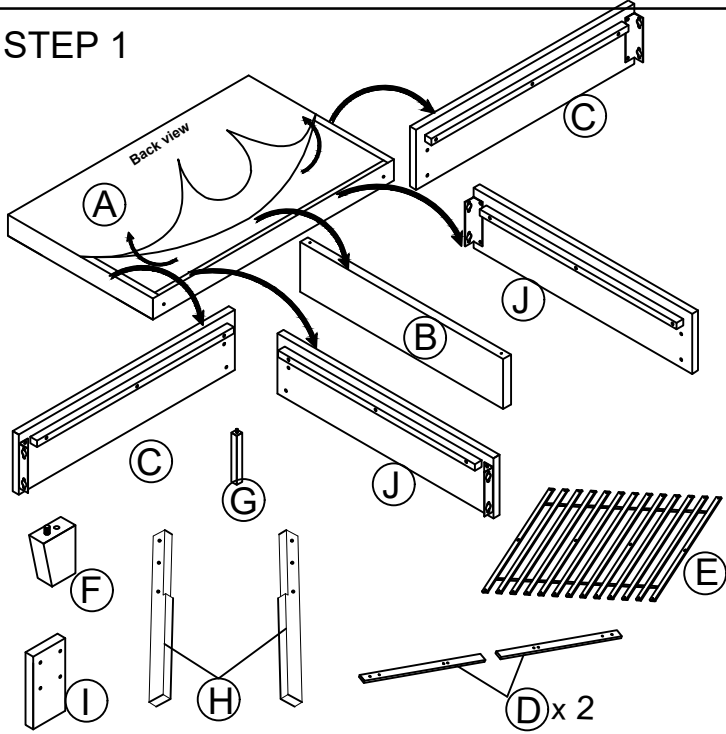
PARTS LIST



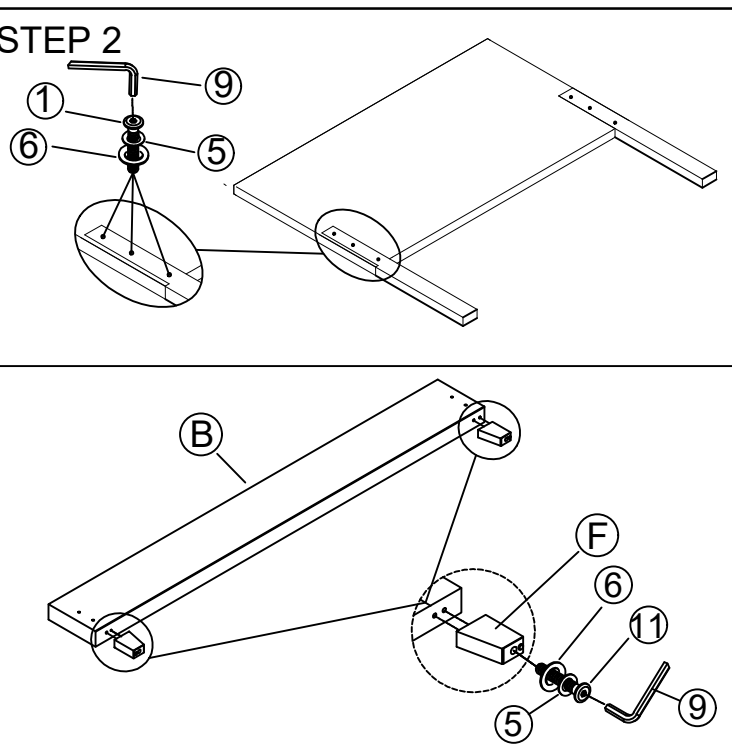
HARDWARE LIST

<p>① x 6</p> <p>Bolt 5/16" x 2"</p>	<p>② x 8</p> <p>Bolt 5/16" x 1-1/2"</p>	<p>③ x 8</p> <p>Bolt 5/16" x 1-1/4"</p>
<p>④ x 4</p> <p>Bolt 1/4" x 1-1/8"</p>	<p>⑤ x 24</p> <p>Lock Washer ϕ5/16"</p>	<p>⑥ x 24</p> <p>Flat Washer ϕ5/16"</p>
<p>⑦ x 4</p> <p>Lock Washer ϕ1/4"</p>	<p>⑧ x 4</p> <p>Flat Washer ϕ1/4"</p>	<p>⑨ x 1</p> <p>Allen Wrench M4</p>
<p>⑩ x 24</p> <p>Screw #4 x 1-1/4"</p>	<p>⑪ x 4</p> <p>Bolt 5/16" x 2-3/4"</p>	

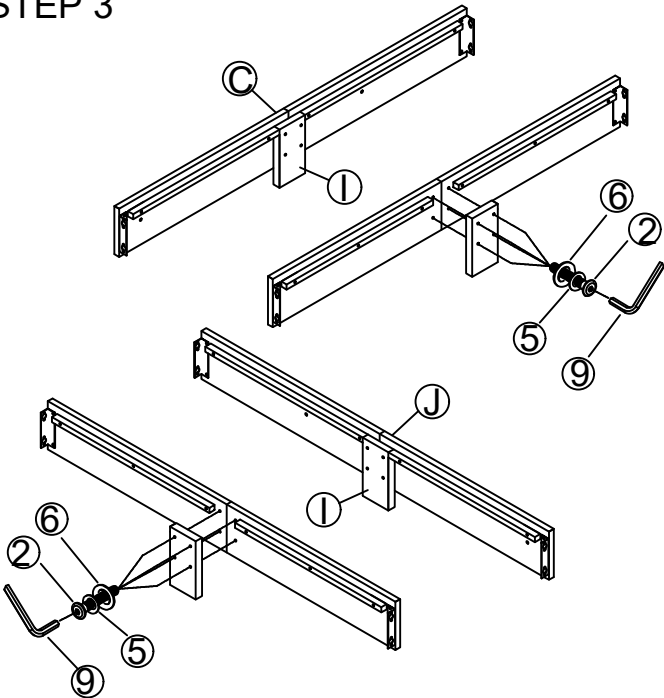
STEP 1



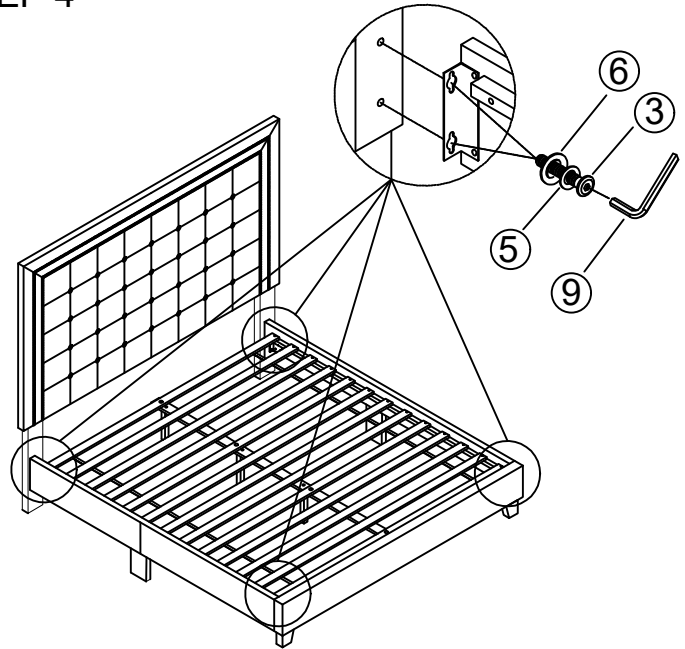
STEP 2



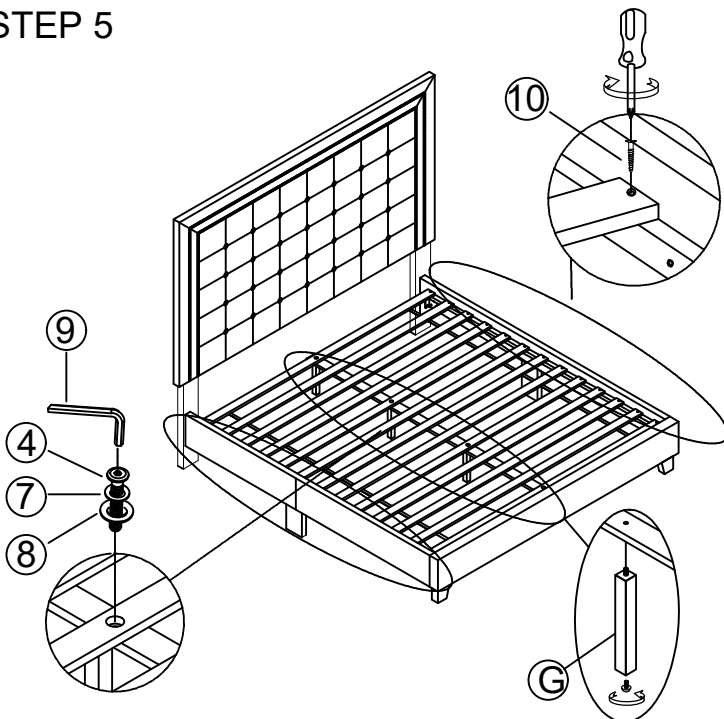
STEP 3



STEP 4



STEP 5



STEP 6

