

A x8



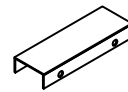
B x8



C x8



D x5



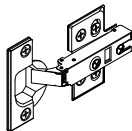
E x2



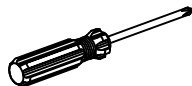
F x28



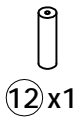
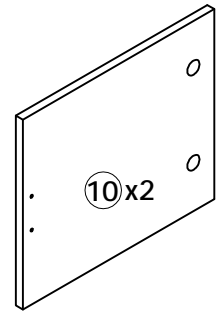
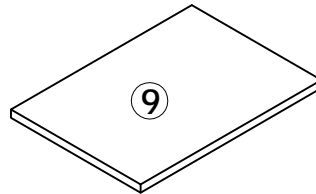
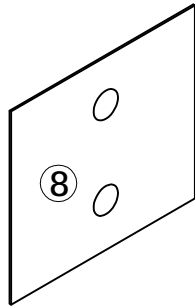
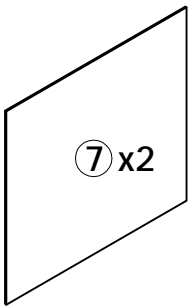
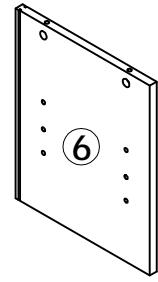
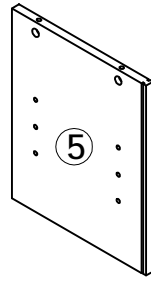
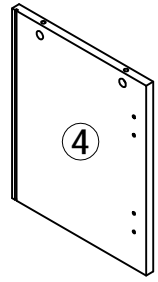
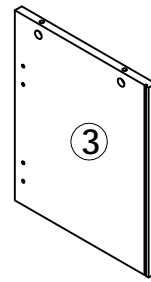
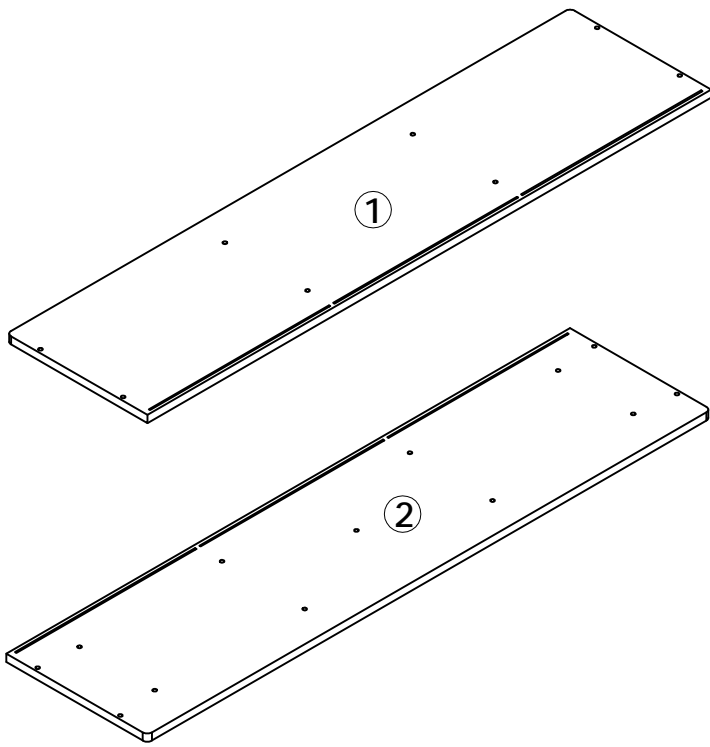
G x4



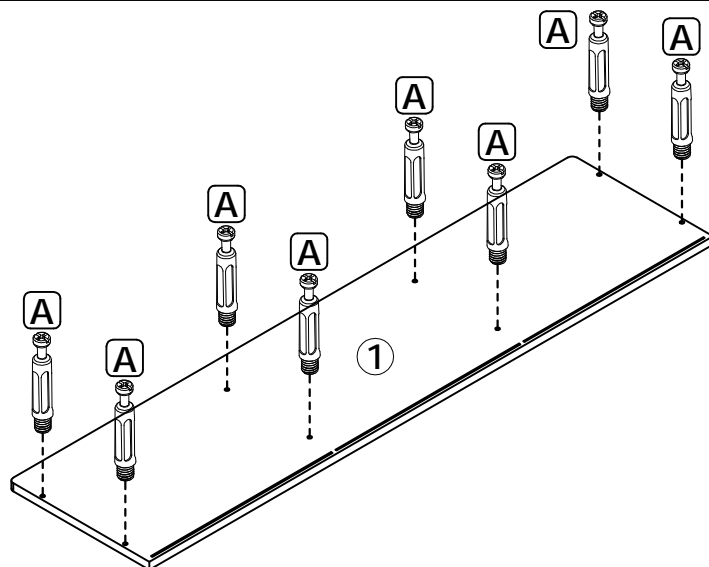
H x4



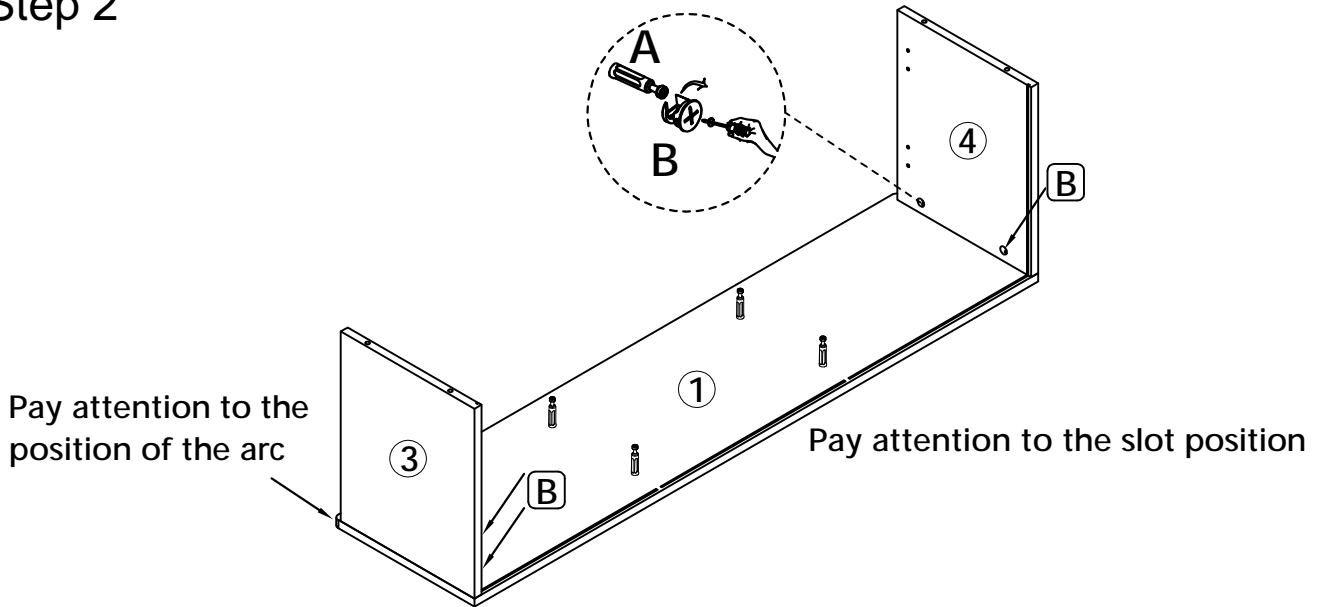
I x1



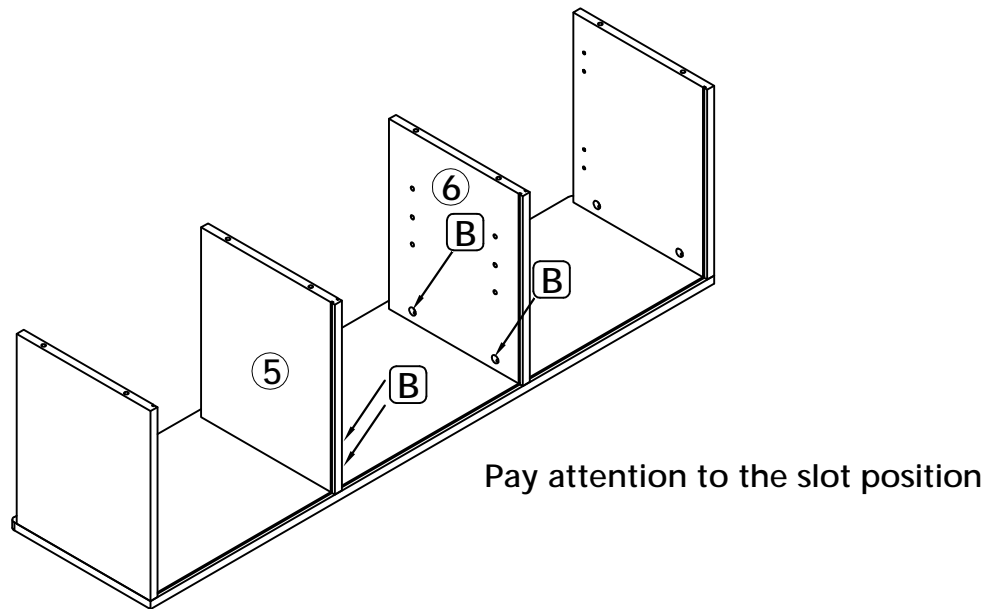
Step 1



Step 2

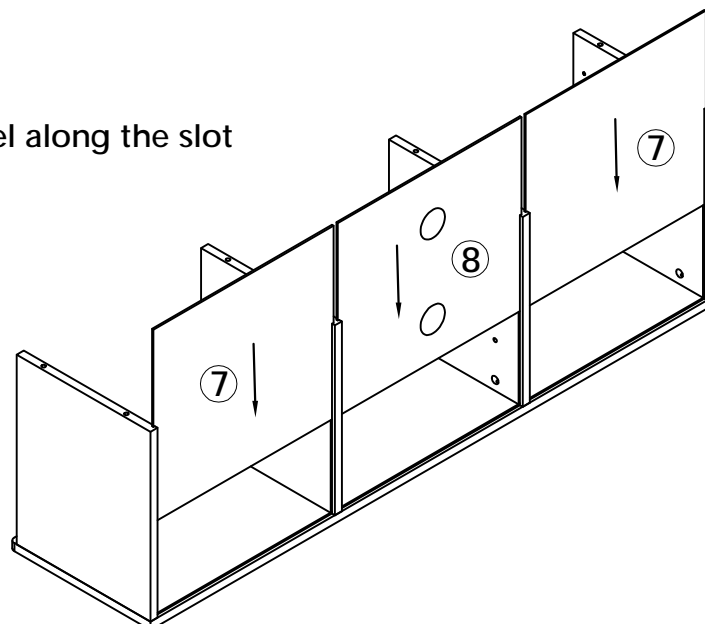


Step 3

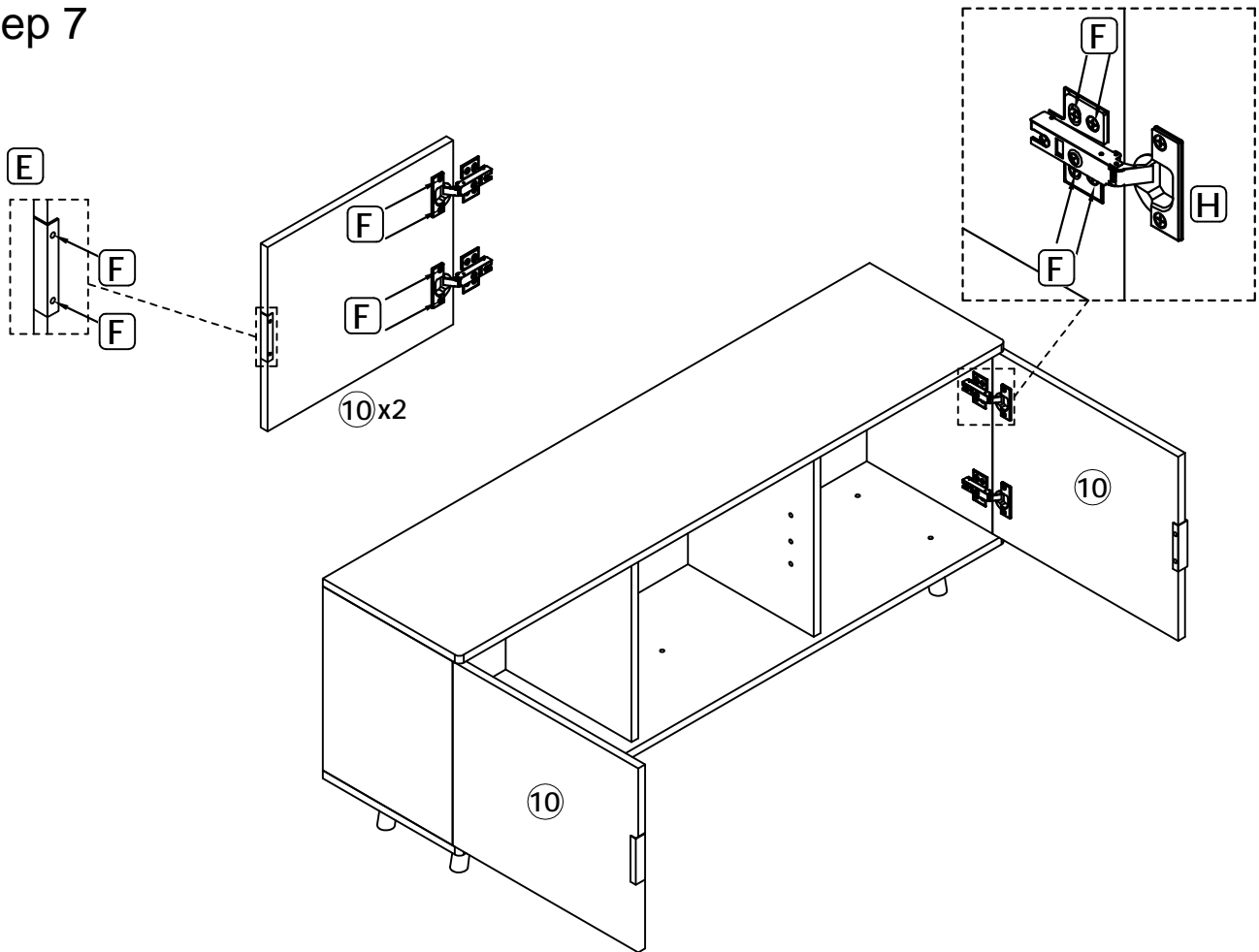


Step 4

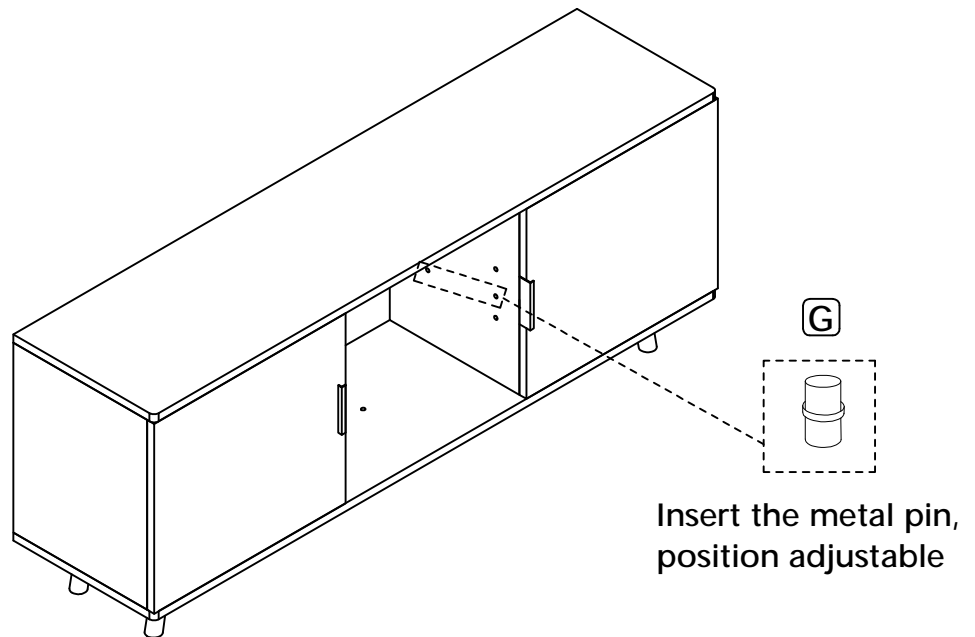
Insert the back panel along the slot



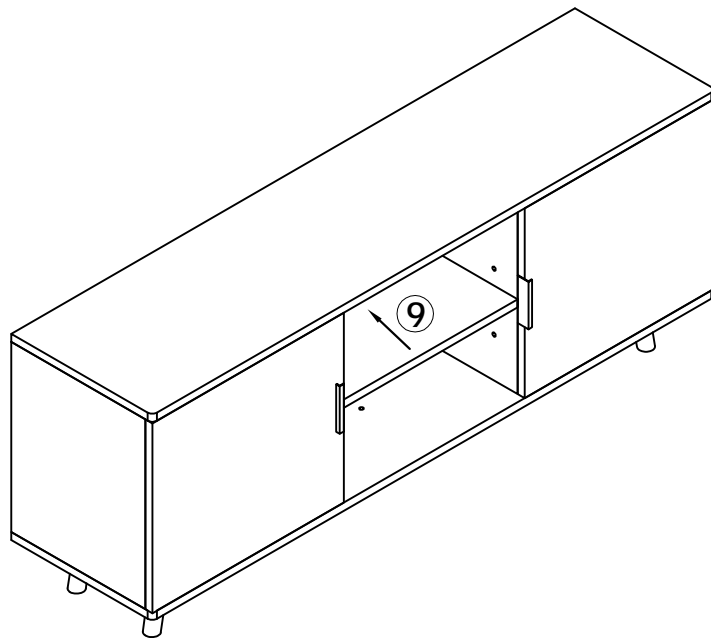
Step 7



Step 8



Step 9



Step 10

