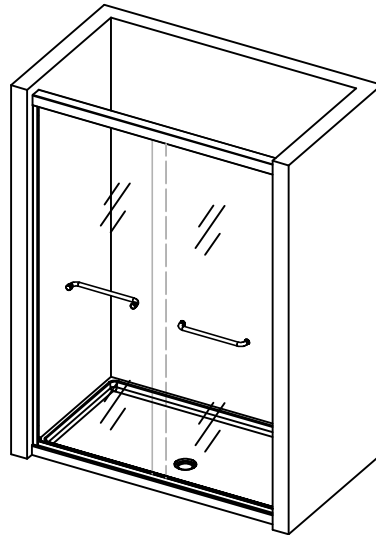
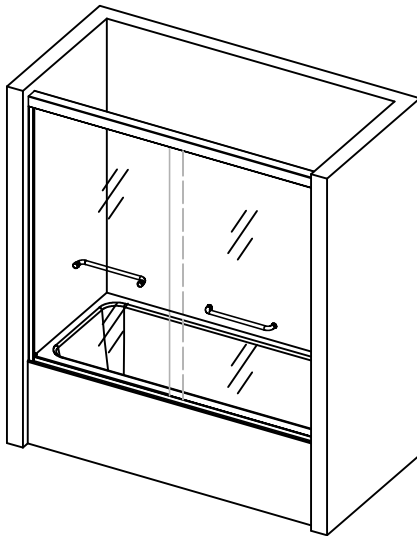


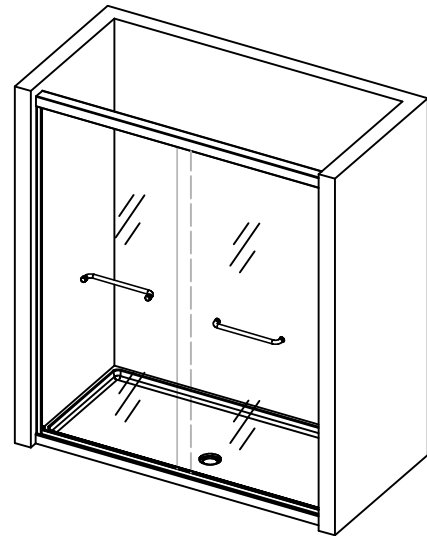
Shower Door Installation Instructions



48X74 inch Enclosure



60X58 inch Enclosure



60X74 inch Enclosure

**Please do not return the product to the store.
Contact us with any questions.**

Model Specific Preparation

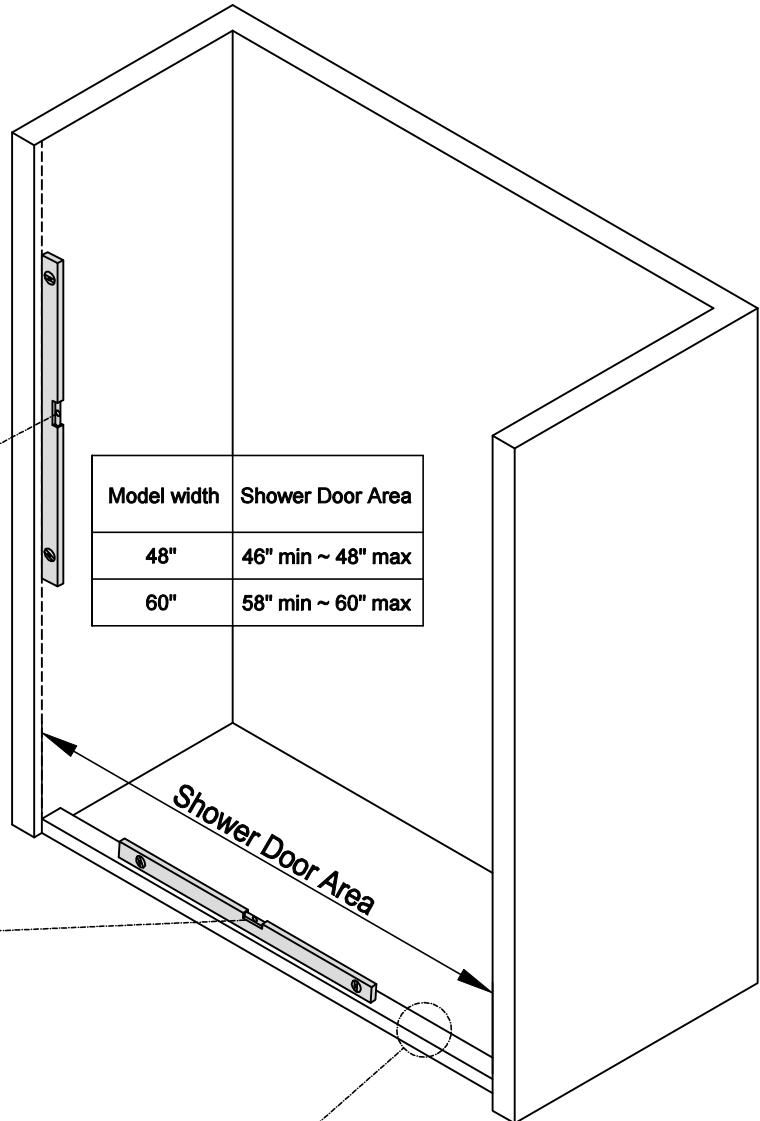
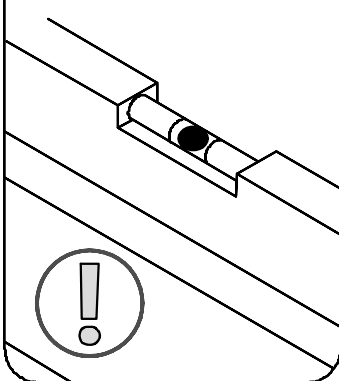


REQUIRED:

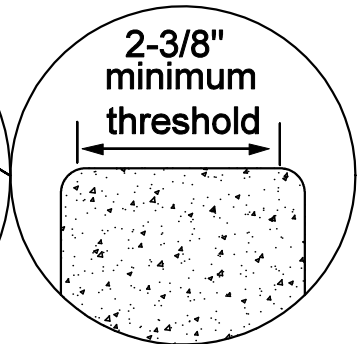
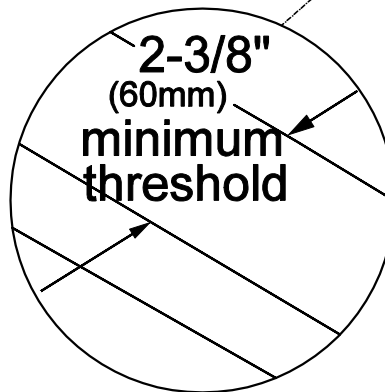
Verify threshold and wall with a level.

1/4" (6mm)
Out-of-Plumb
Adjustment within
the Wall Profile.

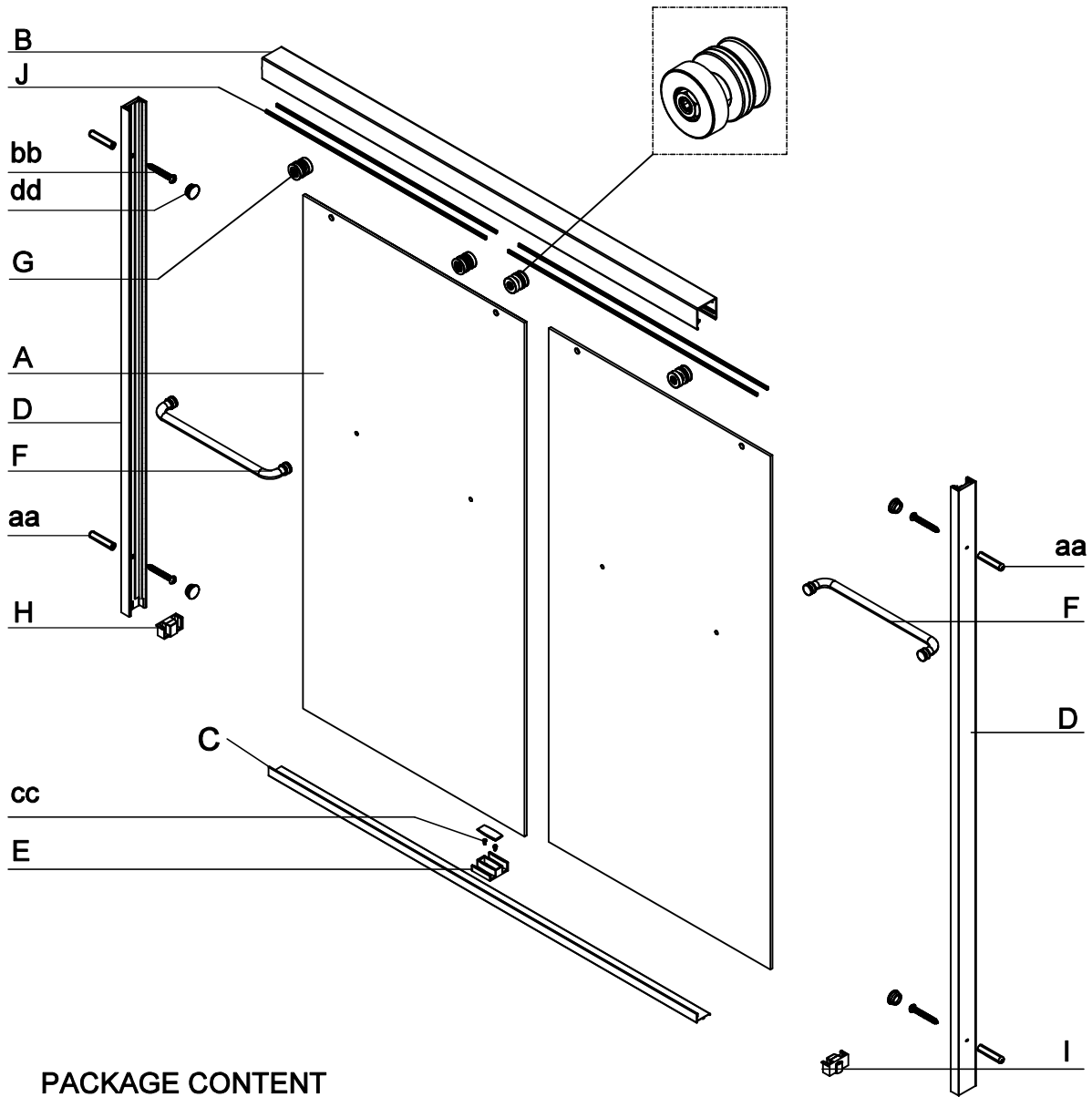
Threshold must be level.



Model width	Shower Door Area
48"	46" min ~ 48" max
60"	58" min ~ 60" max



SHOWER DOOR



PACKAGE CONTENT

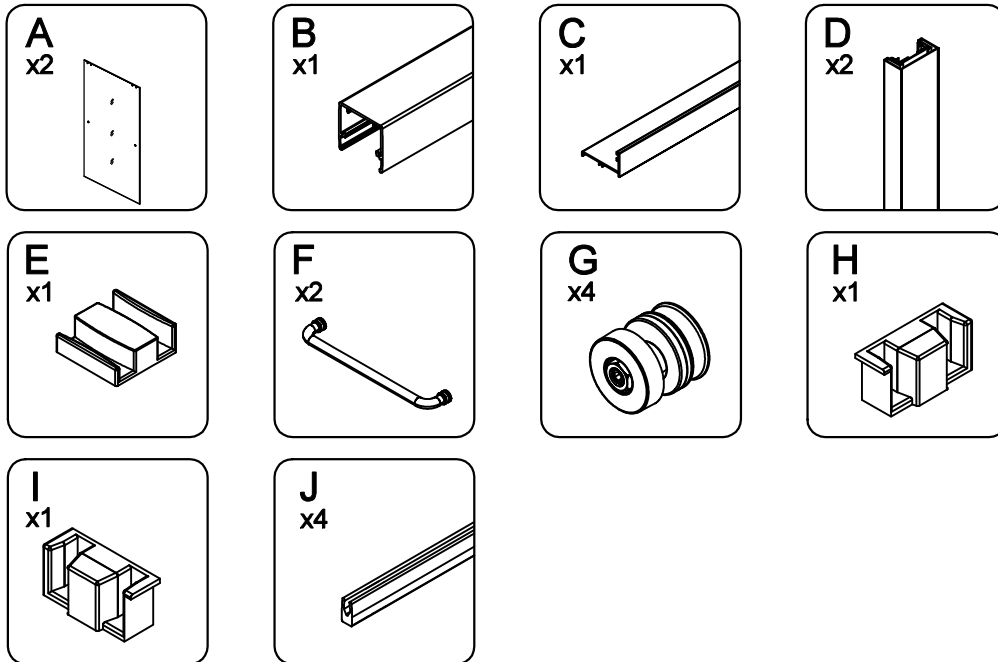
PART#	DESCRIPTION	QTY
A	Door panel	2
B	Upper Guide Rail	1
C	Lower Guide Rail	1
D	Wall Jamba	2
E	Guide Block	1

PART#	DESCRIPTION	QTY
F	Towel Bar	2
G	Roller	4
H	left Bumper	2
I	right Bumper	1
J	Anti-derailment Strip	4

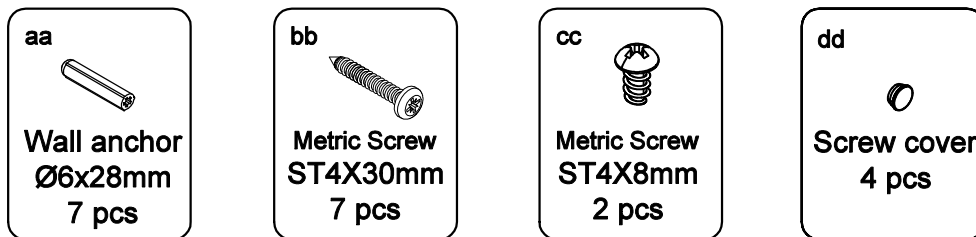


**Inspect all parts for missing prior to installation!
Contact us for any part missing.**

PACKAGE CONTENT



HARDWARE CONTENT



Additional spare parts are included.

NOTE

Inspect all parts for missing prior to installation!
Contact us for any part missing.

TOOLS REQUIRED

Drill Bits



Ø1/4" & Ø5/16" (6&8mm) dia.
HSS

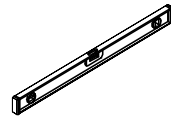
Screw Driver



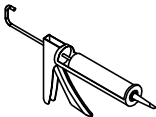
Drill



Level



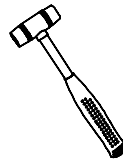
Silicone



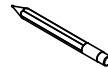
Measuring Tape



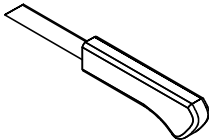
Soft Head Hammer



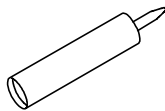
Pencil



Knife



Sealant



MASONRY DRILL BIT FOR TILE
Ø6mm



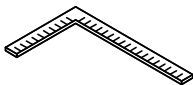
Safety Glasses



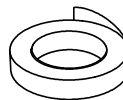
Glove



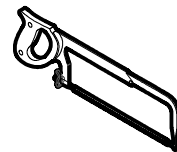
Carpenter's Squarer



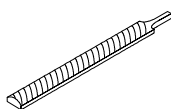
Masking or painter's tape



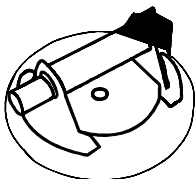
Hack Saw



Metal File



Glass suction



SAFETY INFORMATION

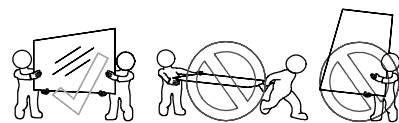
CAUTION

Please carefully read the following important safety information before handling or installing this shower. There is a risk of serious injury while handling this product.

To minimize these risks, please note:

- Always wear safety glasses and gloves while handling.
- Always follow the installation instructions.
- Inspect glass for damage before installation.
- Extreme caution should be taken while handling the glass during installation as the tempered glass may shatter if in contact with a hard surface.
- Do not cut or modify the tempered glass as it will shatter if cut.
- Carefully remove product from packaging and keep packaging until installation is complete.
- Inspect all parts for damage or missing; if there is damage or part missing to the unit prior to installation, please contact customer service at the number provided in this guide.
- Cover the drain with tape to prevent the loss of small parts.
- The shower base and finished walls should be installed before beginning the shower door installation.
- During the installation, protect the shower floor with a drop cloth to avoid damage.
- This product should be installed by two people who are familiar with construction requirements. Professional installation is recommended!
- Keep this installation manual for future reference.

NOTE: Two people should perform this installation.



1 Measure the finished opening width.

IMPORTANT: Incorrect measurement may prevent proper door closure. Double-check measurement.

Before beginning installation, verify the door assembly will fit within the horizontal opening of the shower enclosure.

For the 48" door, the opening must be between 19 13/16" - 21 13/16".

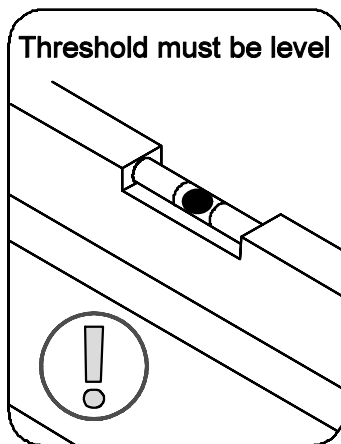
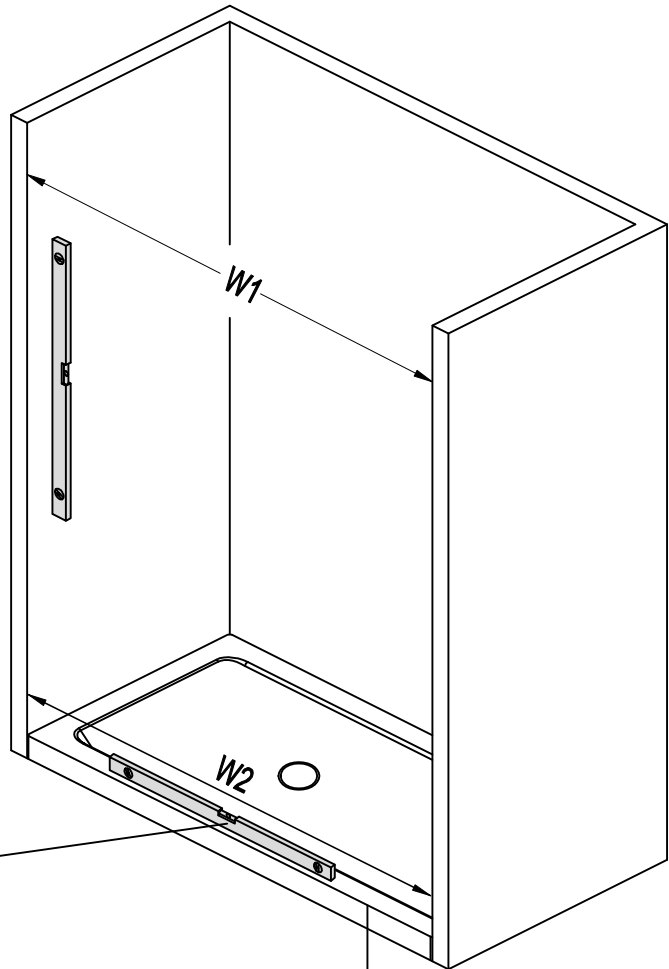
For the 60" door, the opening must be between 25 13/16" - 27 13/16".

Measure distance "W1" of upper shower enclosure opening and distance "W2" of lower shower enclosure opening.

Both measurements should be within the dimensions listed above for required opening widths.

W1 = Upper Enclosure Width

W2 = Lower Enclosure Width



2-1 Cut the Upper Guide Rail (B) to fit your finished opening using either a miter saw or a hacksaw

▲ Using a pencil or another marking tool, mark distance on the Upper Guide Rail (B) from the edge of the Upper Guide Rail (B) as shown in Fig.a.

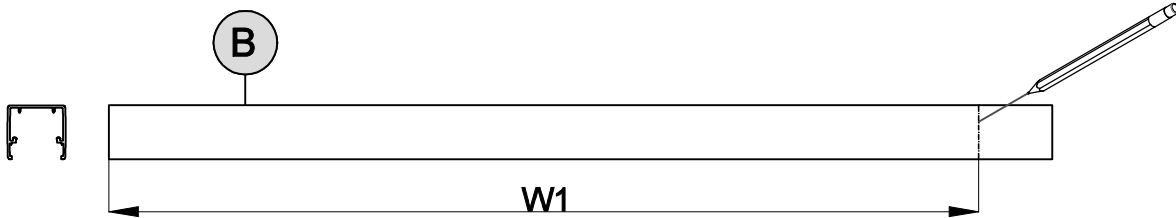
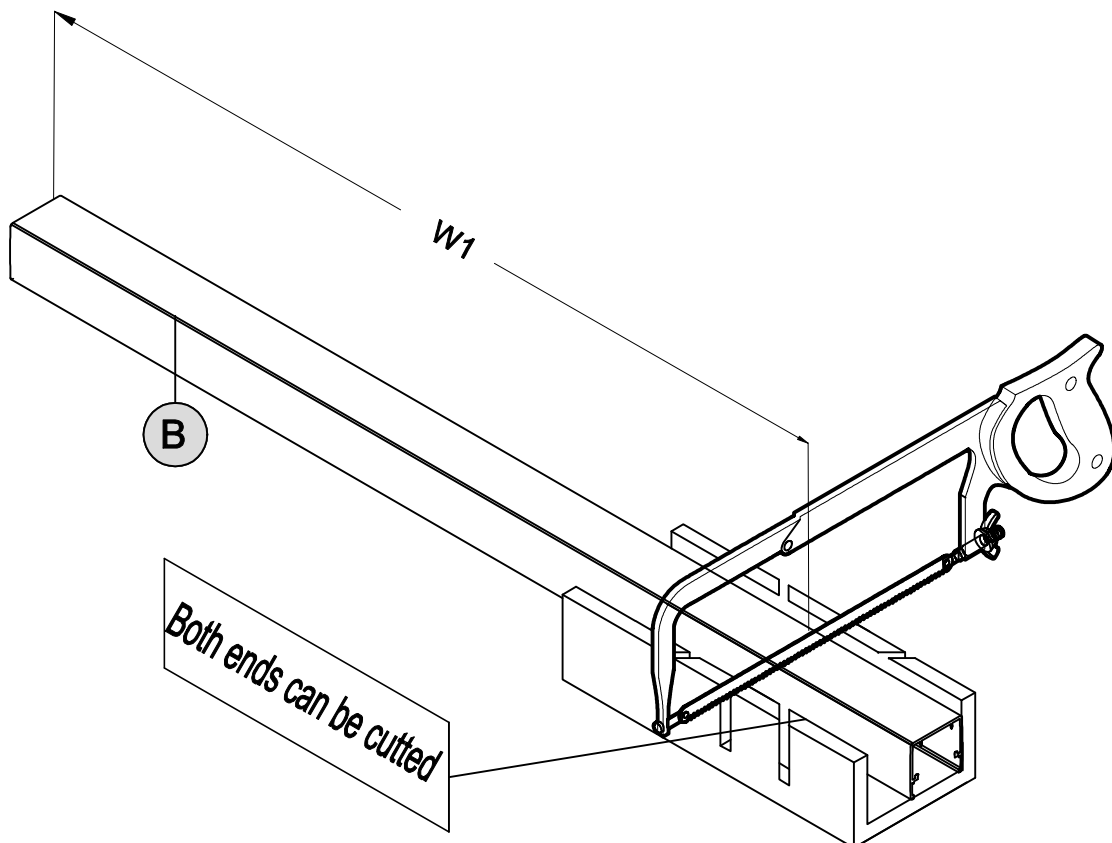


Fig.a

▲ Cut the Upper Guide Rail (B) (Both ends can be cutted)

Cut the Upper Guide Rail (B) to: "W1"(top) dimension "(No need to subtract)



▲ Wear safety glasses and cut-resistant, non-slip gloves when drilling or cutting to avoid risk of injury.

2-2 Cut the Lower Guide Rail (C) to fit your finished opening using either a miter saw or a hacksaw

! Using a pencil or another marking tool, mark distance on the Lower Guide Rail (C) from the edge of the Lower Guide Rail (C) as shown in Fig.b.

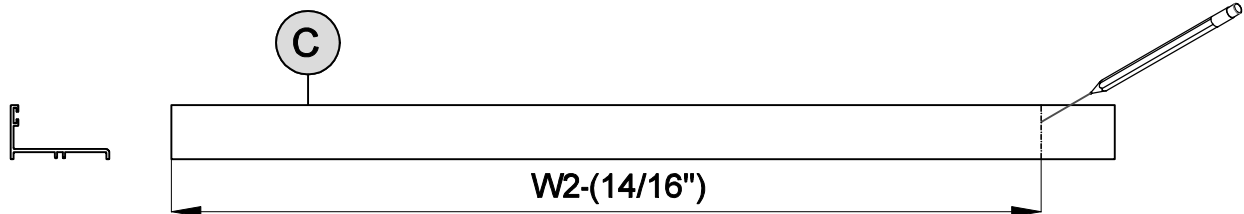
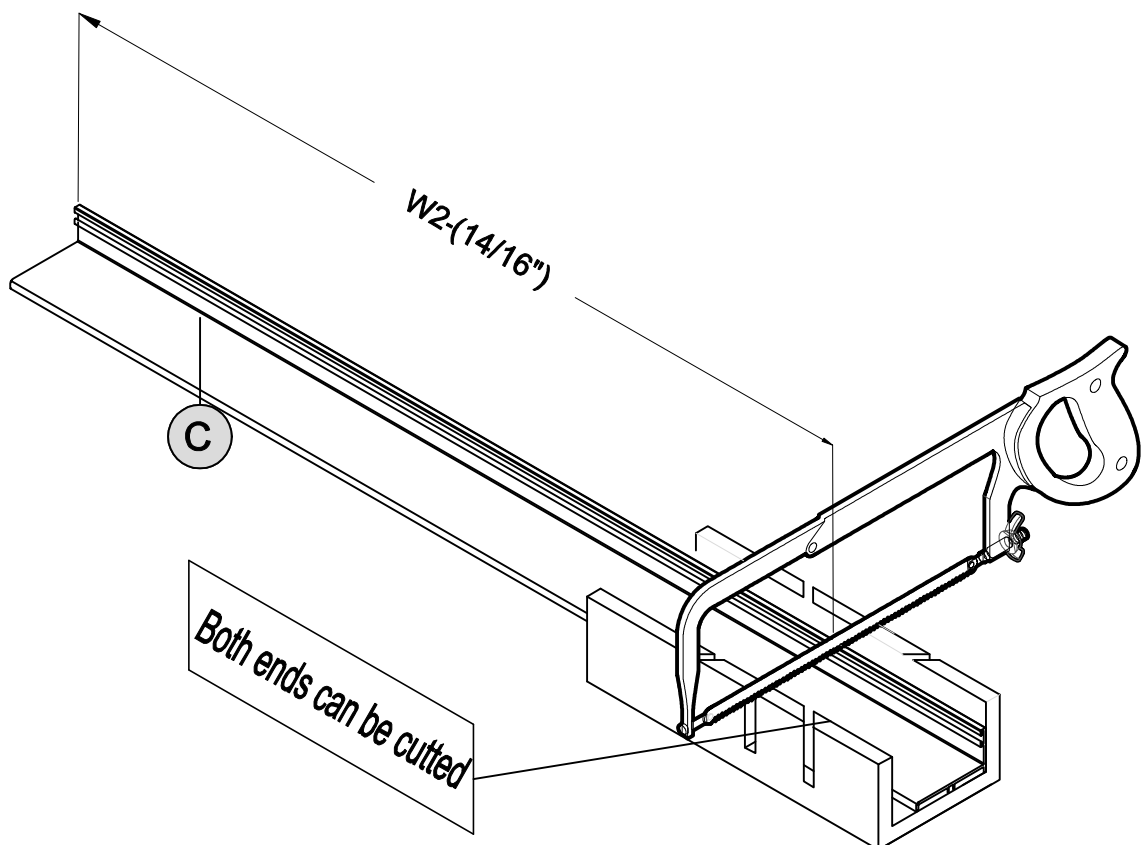


Fig.b

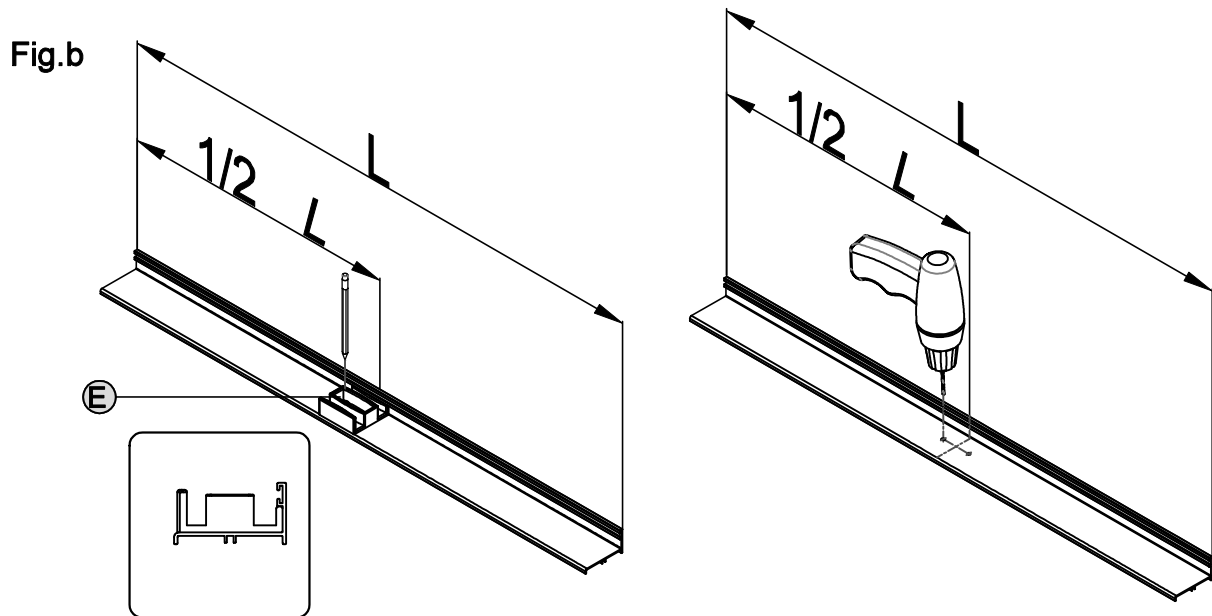
! Cut the LOWER Guide Rail (C) (Both ends can be cutted)

Cut the LOWER Guide Rail (C) to: "W2(down)- (14/16)" dimension "

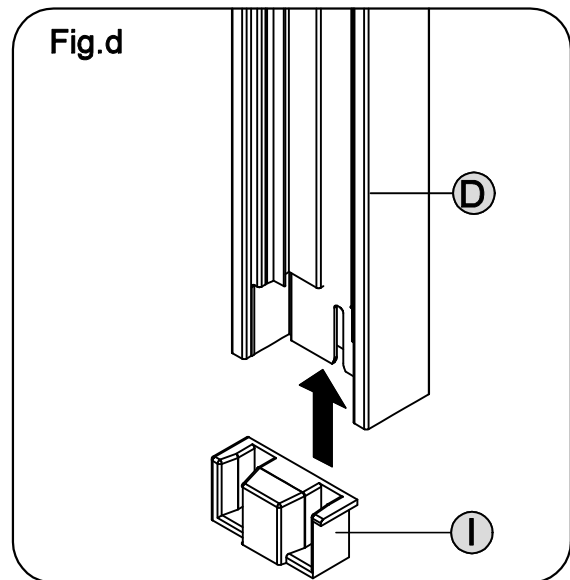
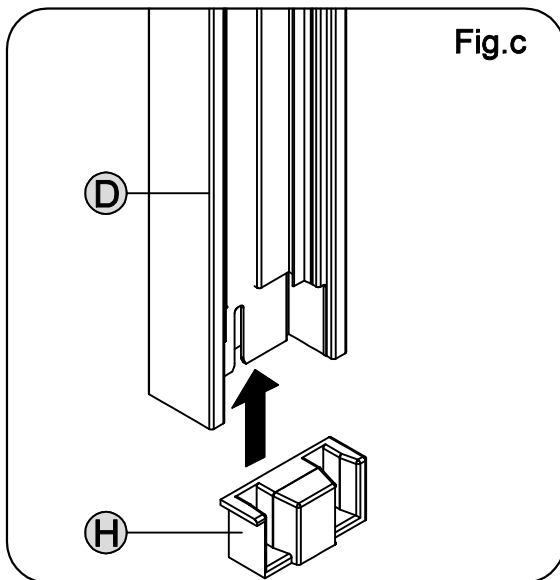


! Wear safety glasses and cut-resistant, non-slip gloves when drilling or cutting to avoid risk of injury.

2-3 Drill Guide Block holes on the LOWER Guide Rail

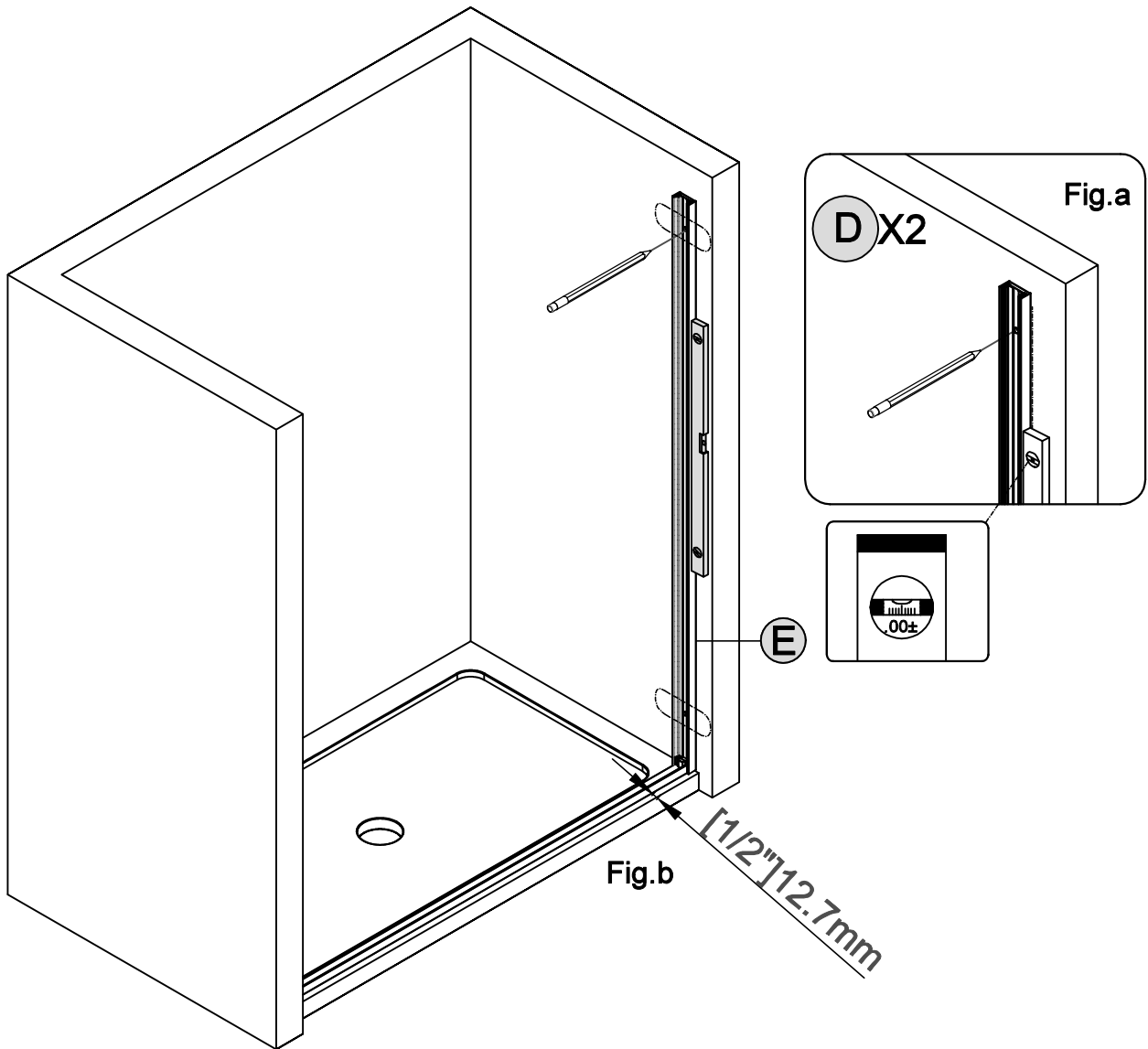


Place the Guide block(E) in the middle of the LOWER Guide Rail(C) as Fig a , mark the hole position with pencil, dill holes with $\text{Ø}3.2\text{mm}$ ($1/8''$) drill bit as Fig b.



Attch the bumper from the bottom of Wall Jamb as Fig d, Fig h&i, please note the right bumper is different from the left bumper.

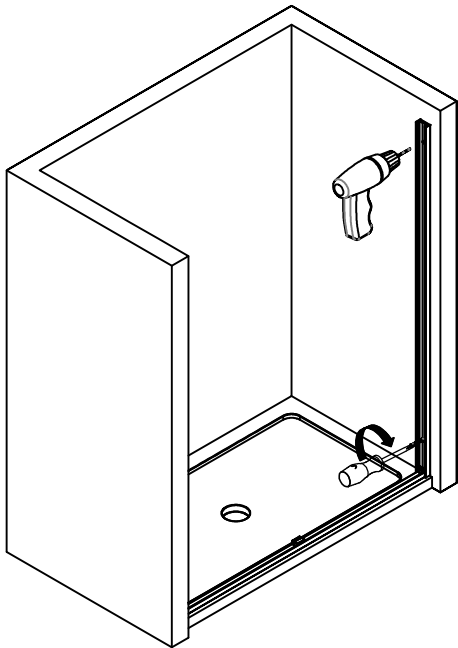
3-1 Wall Jamb (D) Installation



NOTE

1. place the lower guide rail on the base
2. Measure in 1/2" from the outside of the lower Guide Rail(C) as Fig.b.

3-2 Wall Jamb (D) Installation

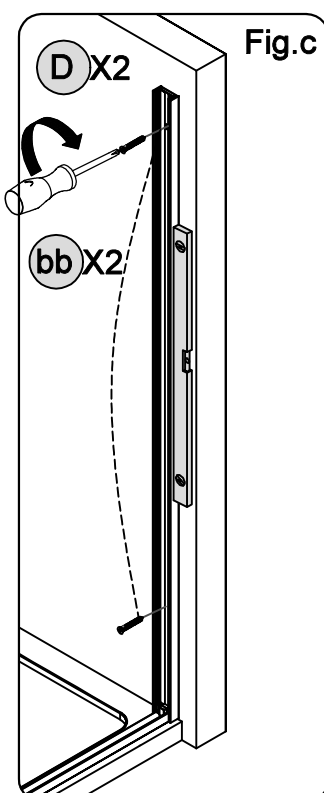
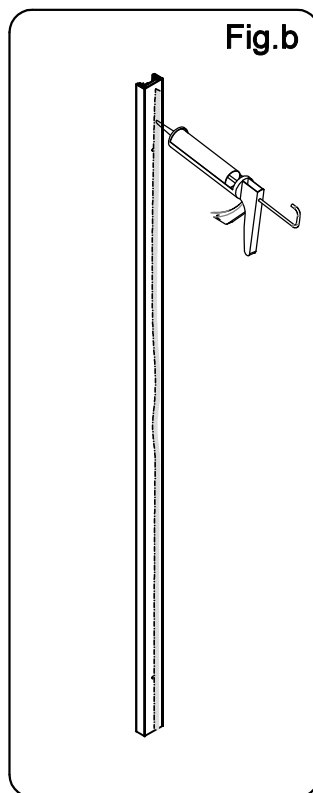
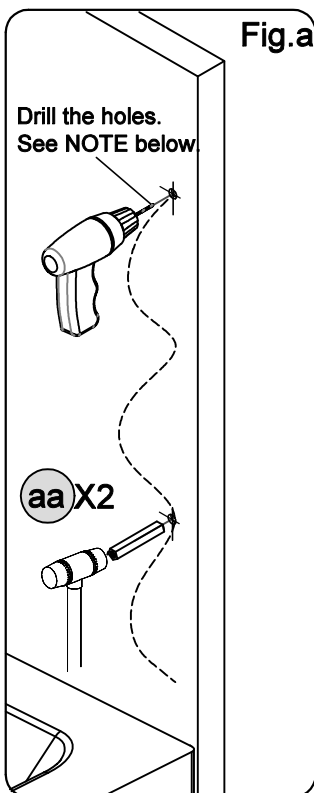


CAUTION: When cutting or drilling metal components or when handling glass, to reduce the risk of personal injury, protective eye wear, gloves, and closed-toe shoes are required.

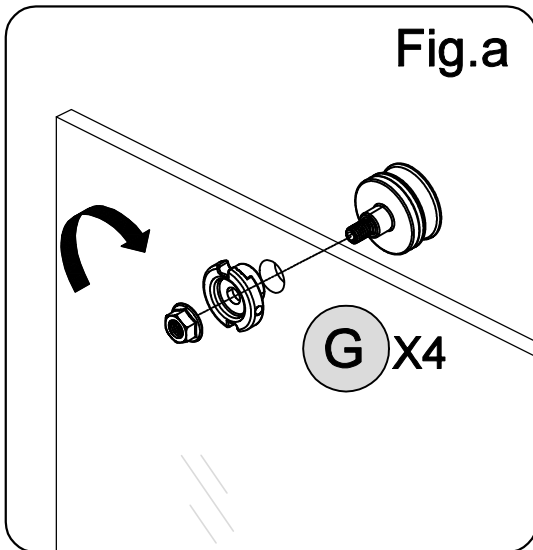


- If a stud is presented behind the wall:
drill a $\text{Ø}1/8"$ (3mm) pilot hole into the stud and use the ST4.0 x 30mm **Screws (bb)**
- OR
- If no stud is presented behind the wall:
drill a $\text{Ø}1/4"$ (6mm) hole and insert the **Wall Anchors (aa)** and use the ST4.0 x 30mm **Screws (bb)**.

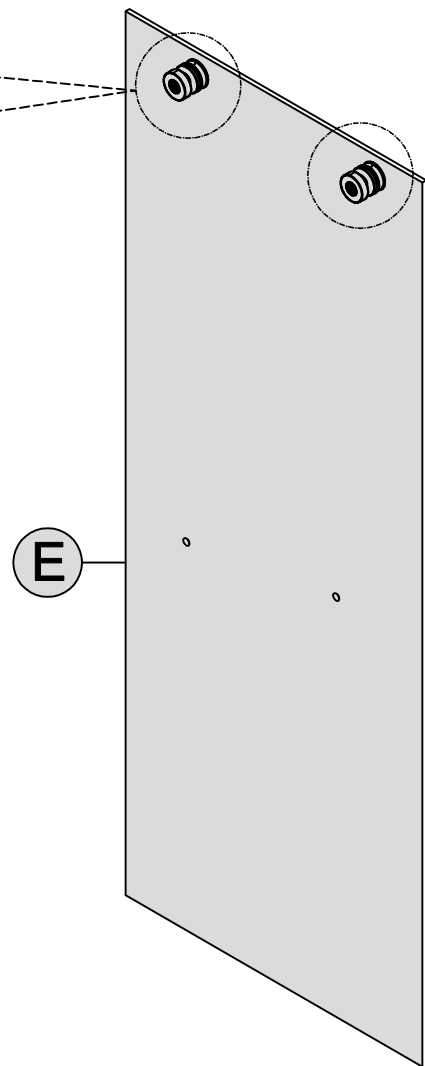
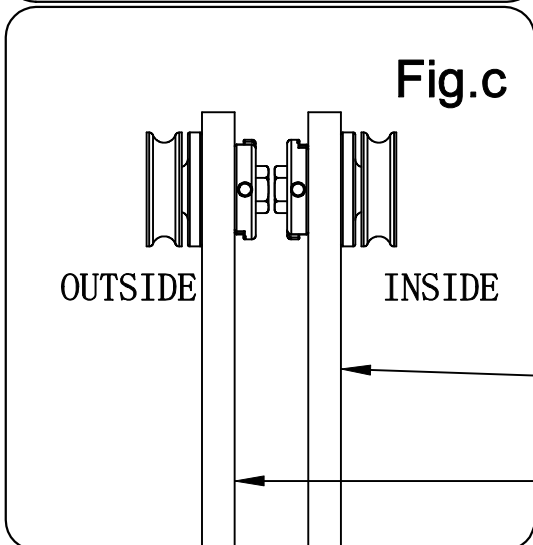
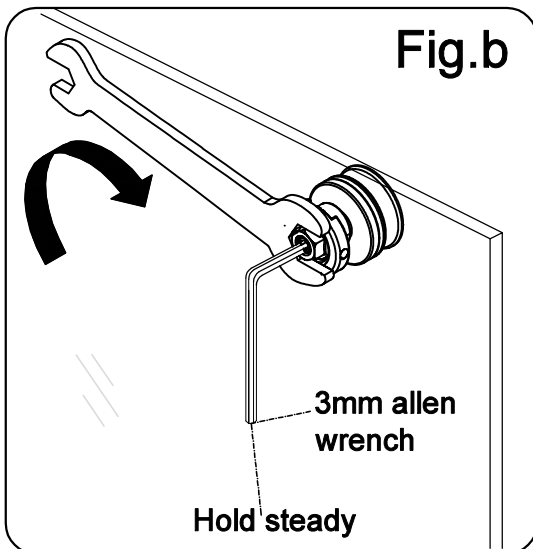
1. Remove Wall Jamb (D) and Drill the holes as Fig.a;
2. Apply silicone into the groove along the entire length of the Wall Jamb(D) as Fig b;
3. Attach the Wall Jamb(D) to the wall as Fig c.(the same as another Wall Jamb(D))



4 Roller(G) Installation



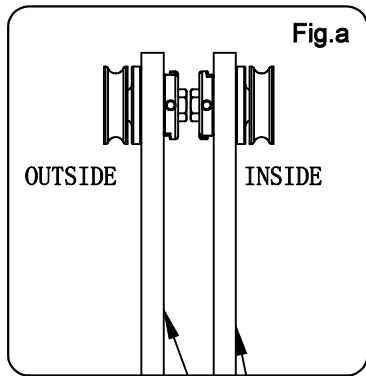
1、 Install the **Roller(G)** on the **Glass Door(A)** as Fig.a and Fig.b ; please note the nano grall lable,on is face inside,the other face outside as Fig c



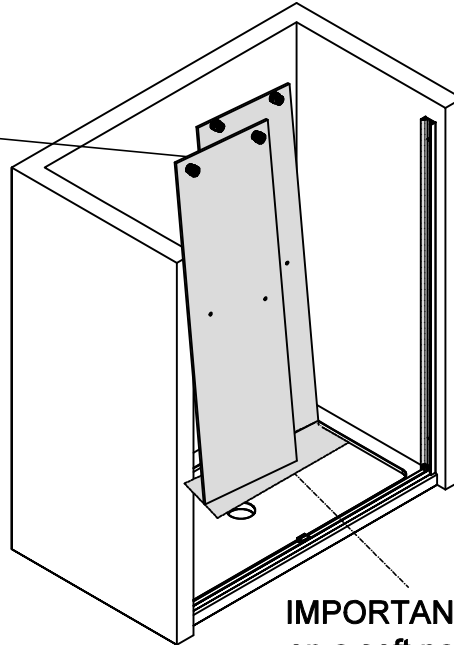
The nano glass label faces inside.



5-1 Door panel(A) Installation

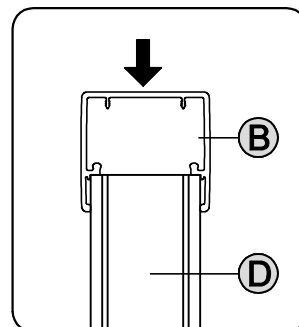
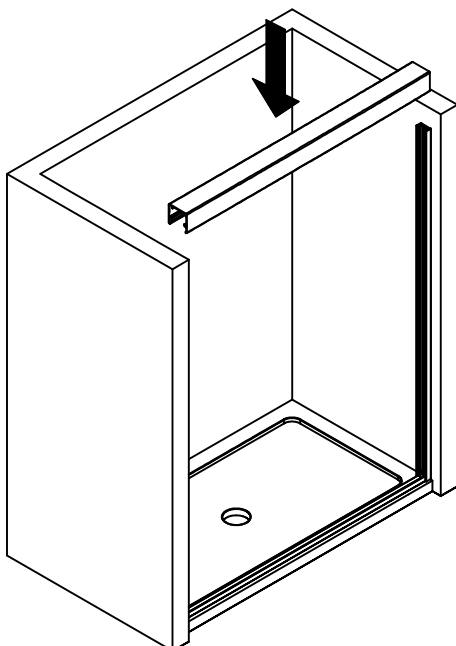


The nano glass label faces inside.

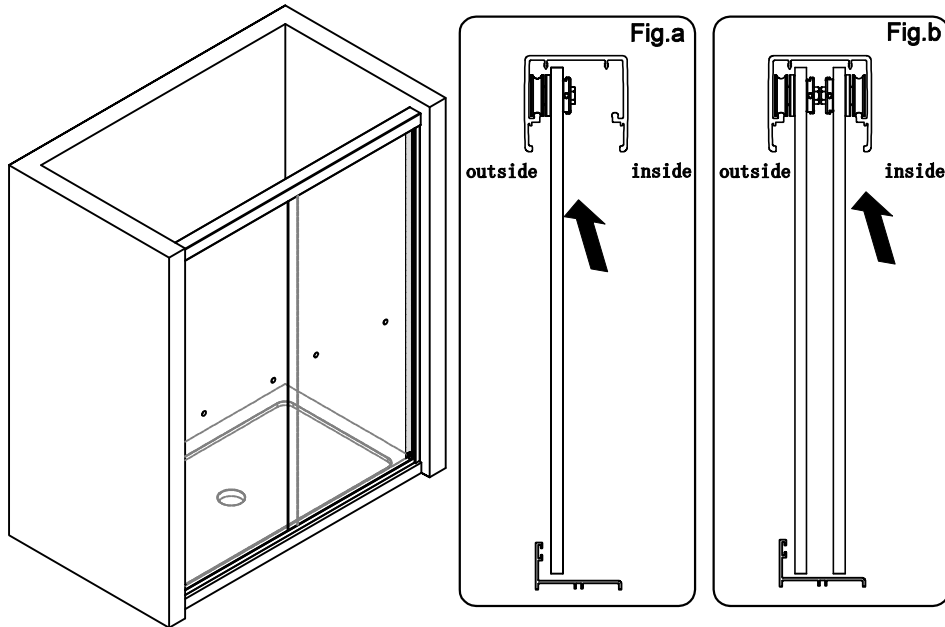


Carefully, and with assistance from another capable person, place Glass panel (A) into enclosure against rear wall, and one of the door panel Roller faces outside, the other face inside as Fig a, both door panel nano glass label face inside.

Insert the Upper Guide Rail(B) into the installed Wall Jamb(D).



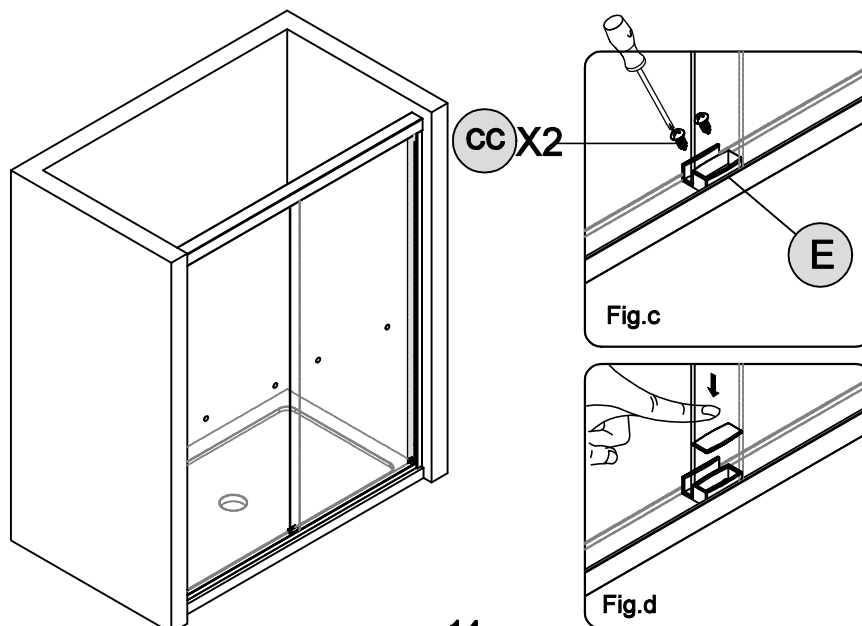
5-2 Door panel(A) Installation



1、 Attach the Outside door panel first as Fig a, second is Inside door panel.

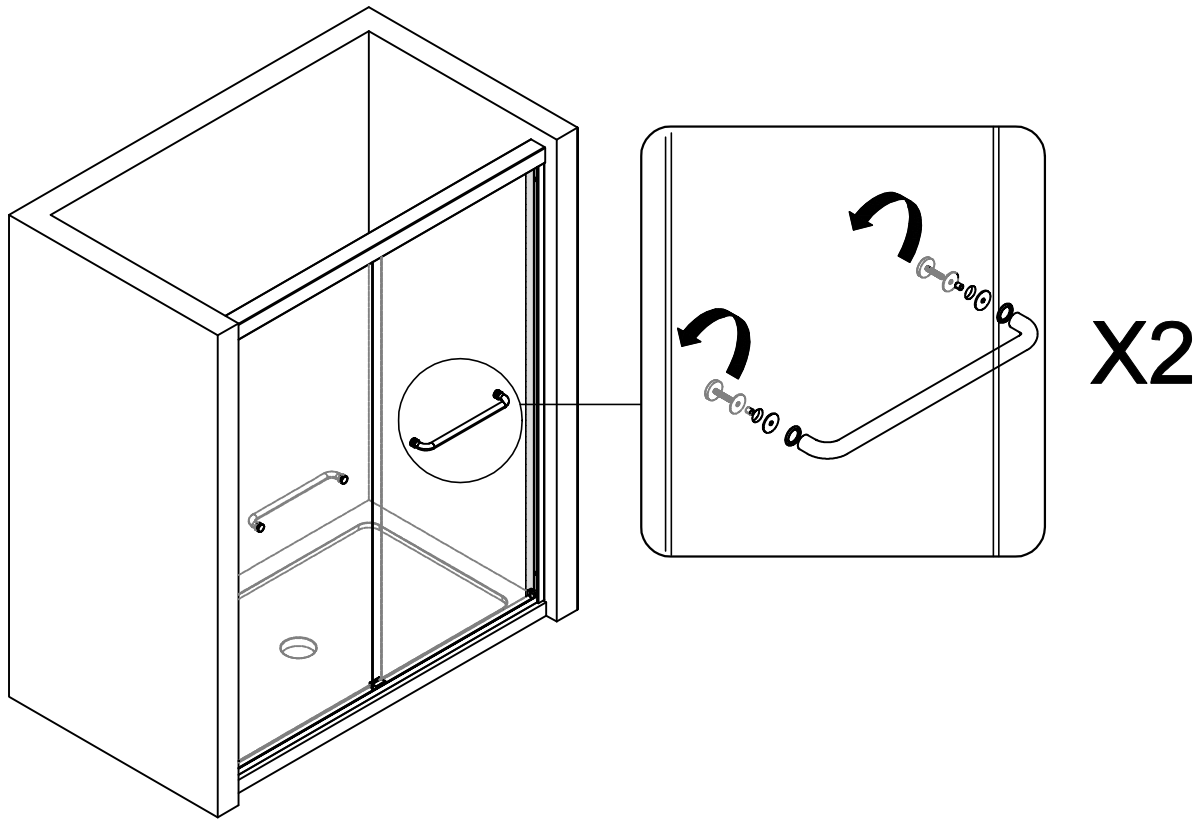
2、 Use the ST4*10 Screw to attach the Guide block(E) as Fig c

3、 Attach the guide block cap as Fig d

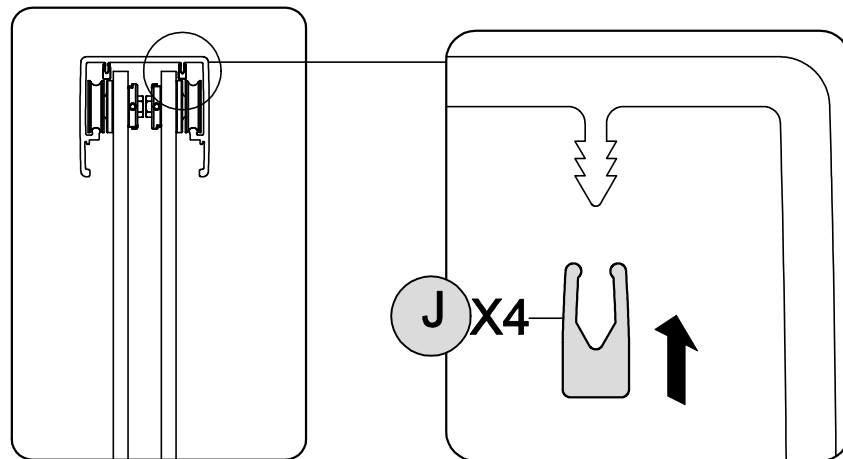


6 Towel Bar(F) Installation

Attach the Towel Bar(F) to the Glass Door (A) . Be sure to use all of the supplied rubber gaskets to protect the glass.

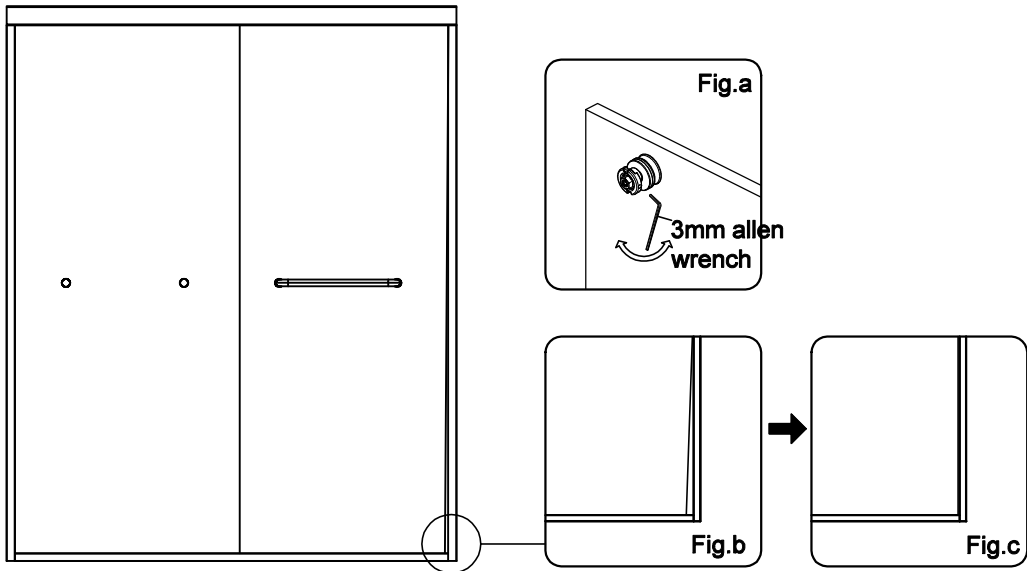


7 Attach the Anti-derailment Strip(J) to the Upper Guide Rail(B) to prevent the door glass from being lifted off of the rail, the strip quantity is 4.

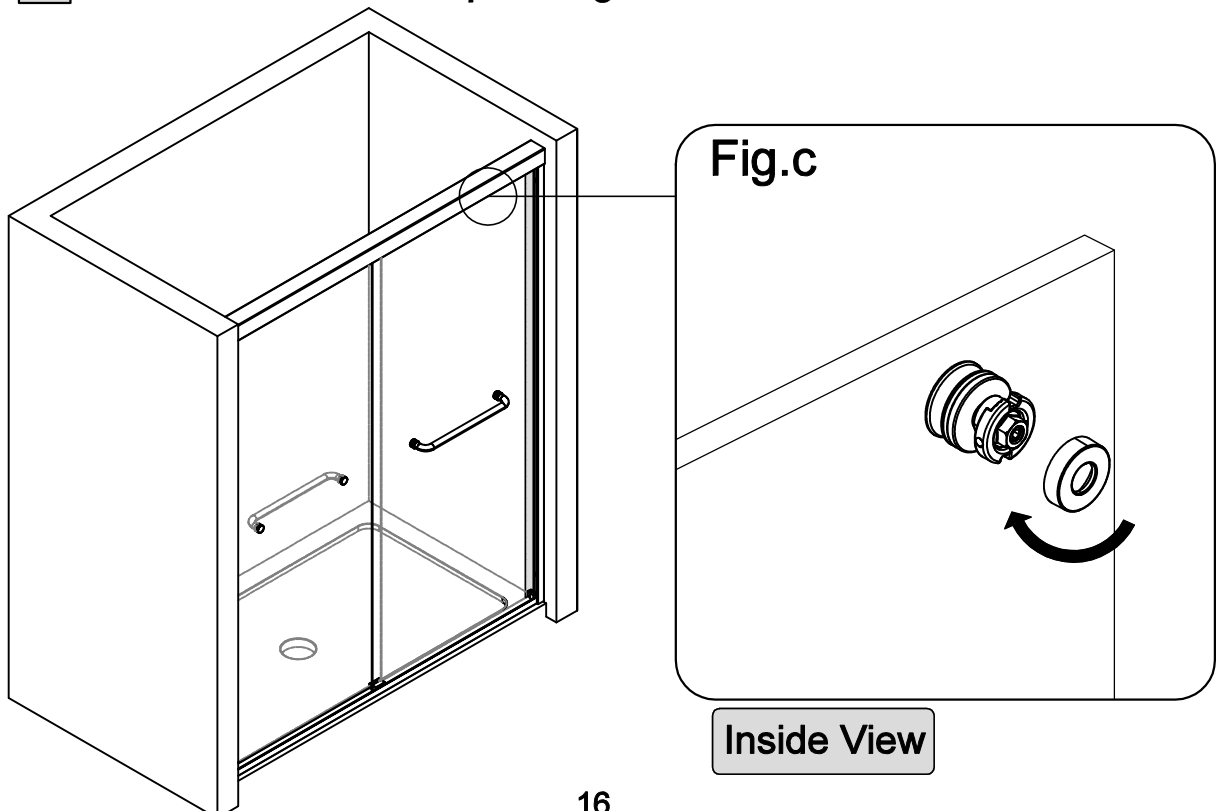


8 Adjust the door pancel(If necessary)

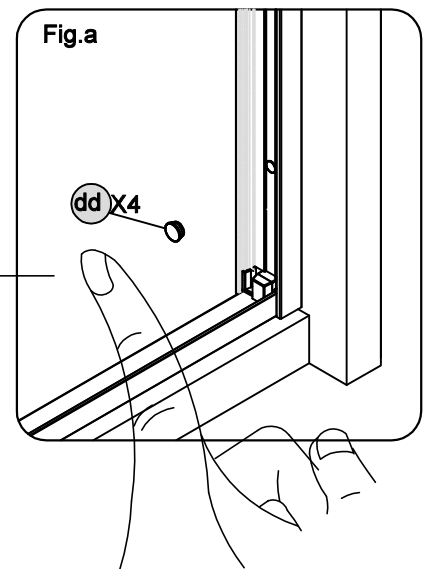
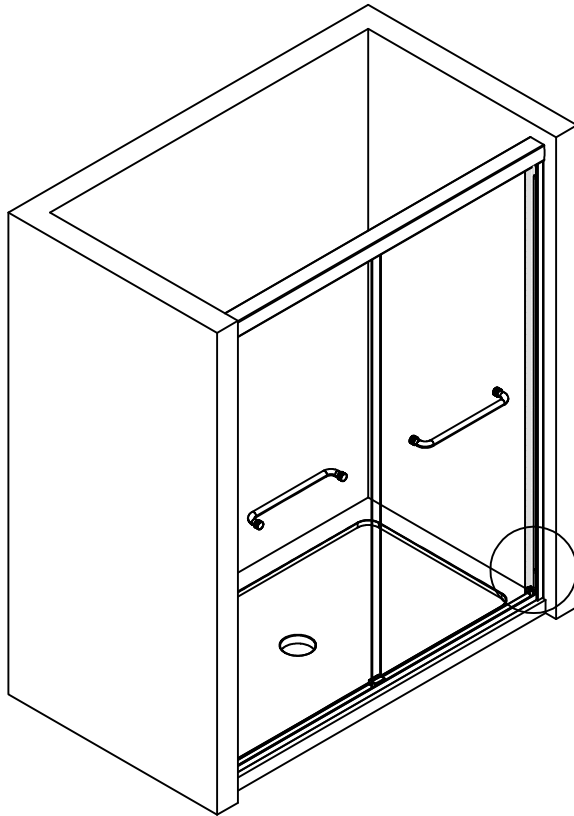
- 1 · Unscrew the Roller(G).
- 2 · insert the 3mm allen wrench to the little hole on the roller,rotating the allen wrench as Fig a
- 3 · Tighten the screw



9 Attach the Roller cap as Fig d



10 Attach the Screw cover to the wall Jamp as Fig a



11 SEALING

▲ The surfaces need to be clean and free of debris before applying silicone.

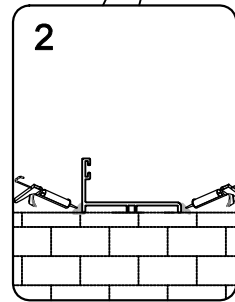
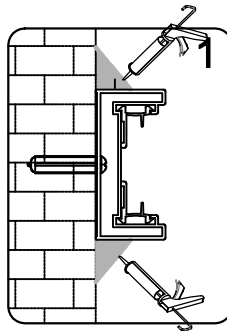
Ensure that the Shower door closes tightly and opens smoothly.

Apply a good quality silicone sealant along the U channel(C) and Guide Block (A) and bottom of Stationary Glass(O) and Wall Jamb(N).

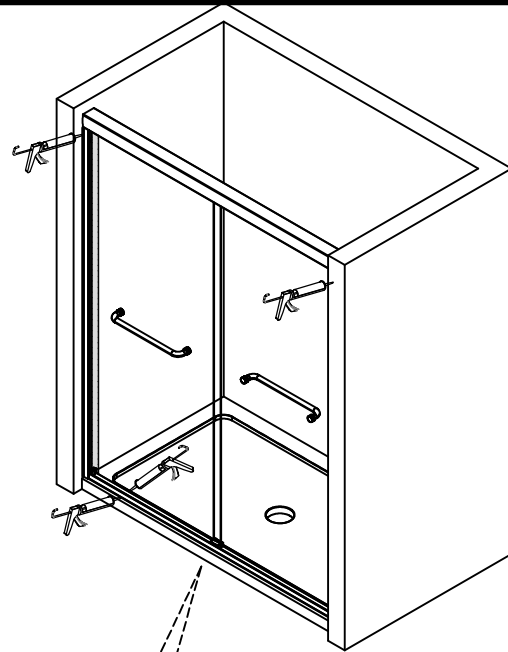
▲ Allow 24 hours for the silicone to cure before using the shower.



! Apply Silicone Sealant, (not supplied).



Apply silicone around the bottom rail.



12 Complete.

