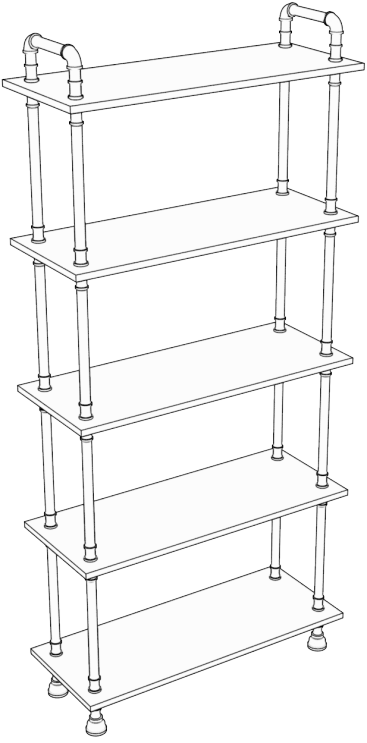







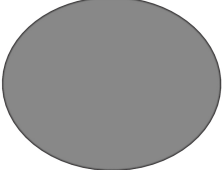






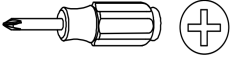


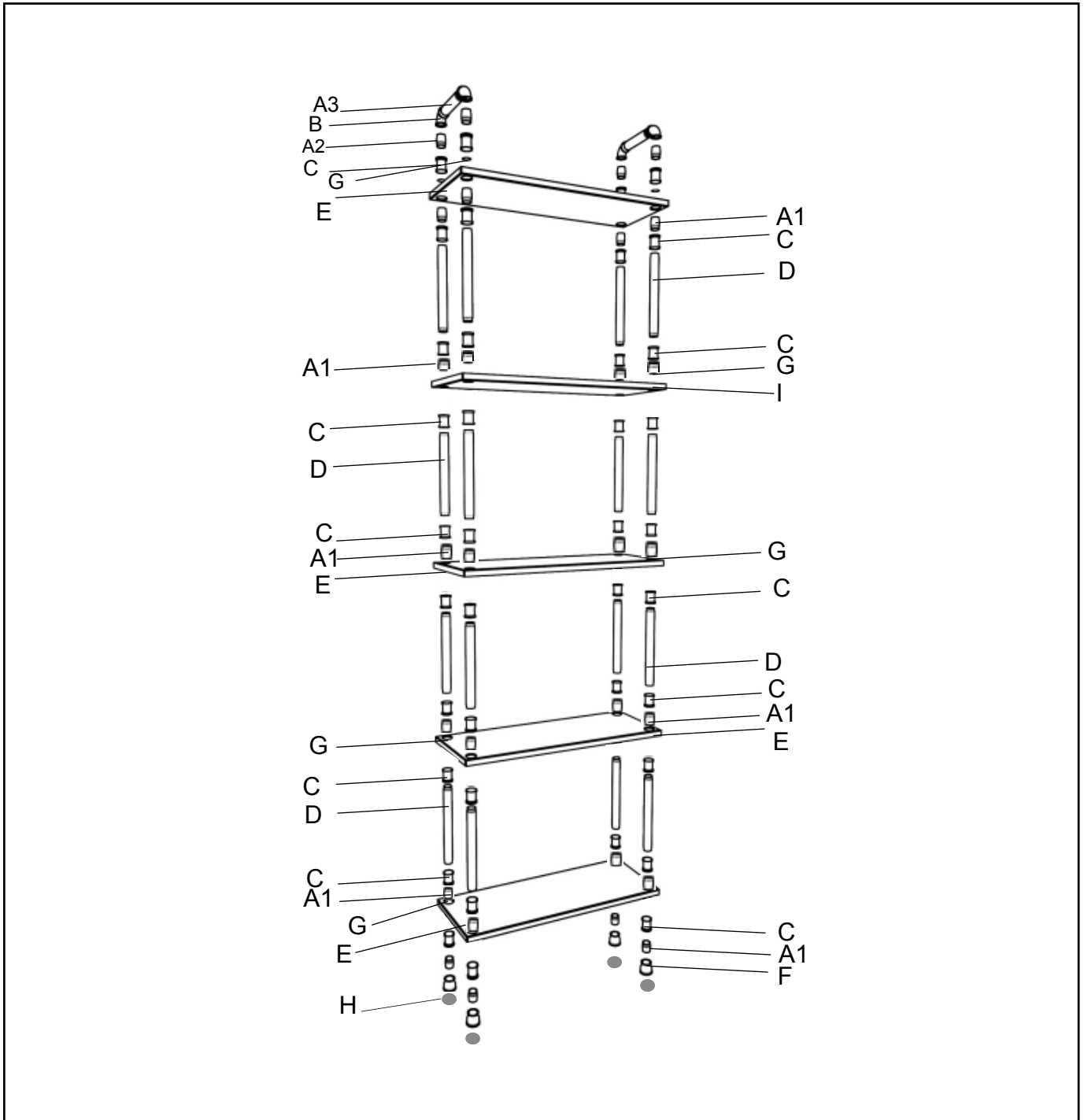
# SKU: 6090-505WBR

## ASSEMBLY INSTRUCTION

	<p><b>A</b></p>  <p>A1: 1.5 " 24PCS A2: 2.4 " 4PCS A3: 6.3 " 2PCS</p>	<p><b>B</b></p>  <p>4PCS</p>	
	<p><b>C</b></p>  <p>40PCS</p>	<p><b>D</b></p>  <p>16PCS</p>	
<p><b>E</b></p>  <p>4PCS</p>	<p><b>F</b></p>  <p>4PCS</p>	<p><b>G</b></p>  <p>20PCS</p>	<p><b>H</b></p>  <p>4PCS</p>
<p><b>I</b></p>  <p>1PCS</p>	<p><b>J</b></p>  <p>2PCS</p> <p><b>K</b></p>  <p>2PCS</p> <p><b>L</b></p>  <p>4PCS</p> <p><b>M</b></p>  <p>4PCS</p> <p><b>N</b></p>  <p>1PCS</p> <p><b>O</b></p>  <p>1PCS</p>		

Please unscrew all spare parts before assembling.  
 If you find the screw thread is rusty, please don't worry,  
 it will not affect the installation and use.

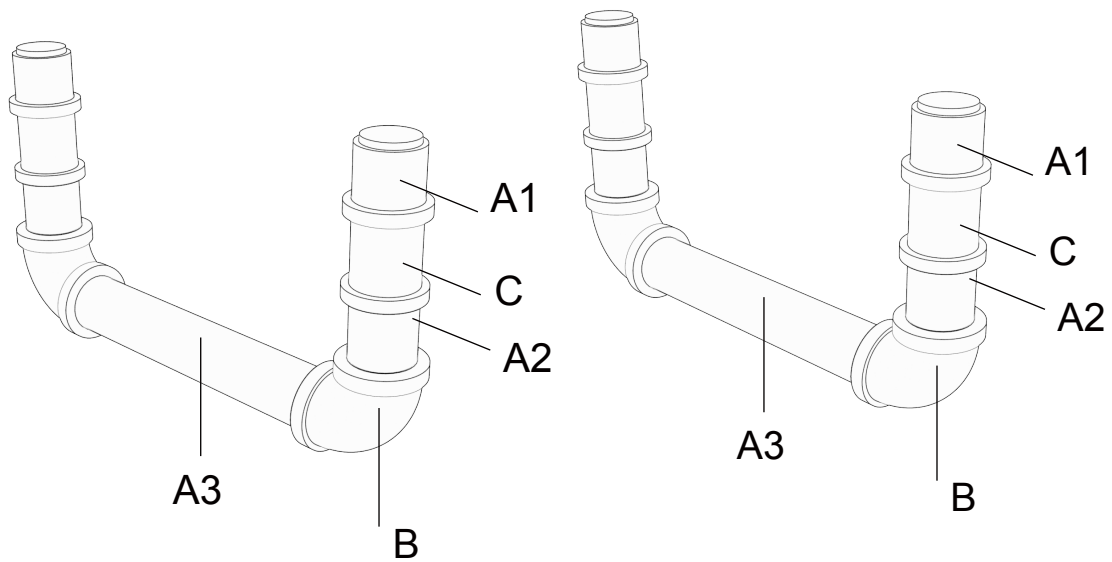
# SKU: 6090-505WBR ASSEMBLY INSTRUCTION



Decomposition Diagram

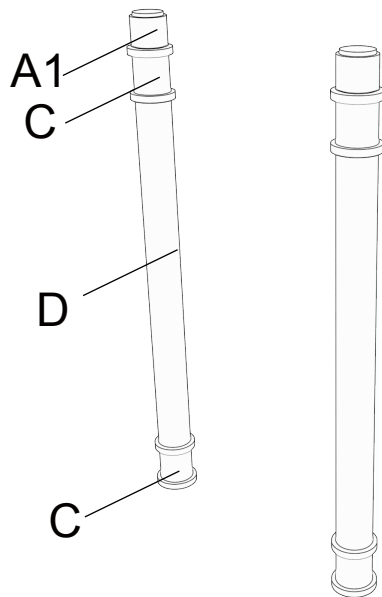
SKU: 6090-505WBR  
ASSEMBLY INSTRUCTION

STEP 1



2PCS

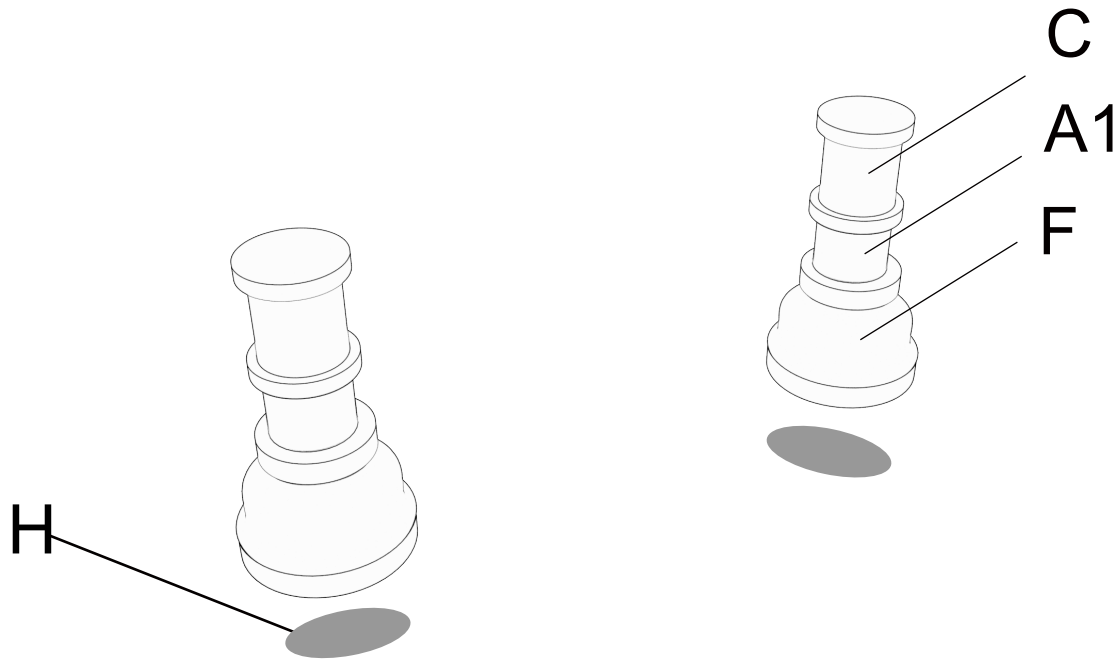
STEP 2



16pcs

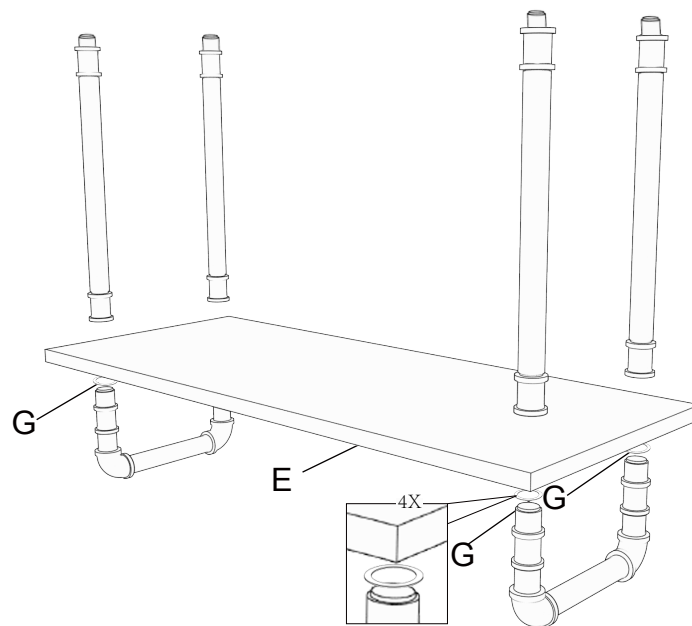
SKU: 6090-505WBR  
ASSEMBLY INSTRUCTION

STEP 3



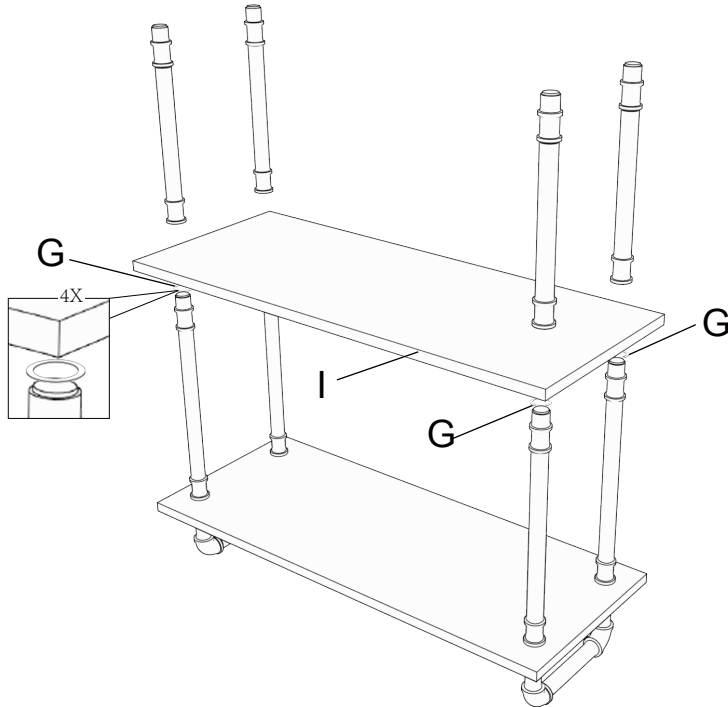
4PCS

STEP 4

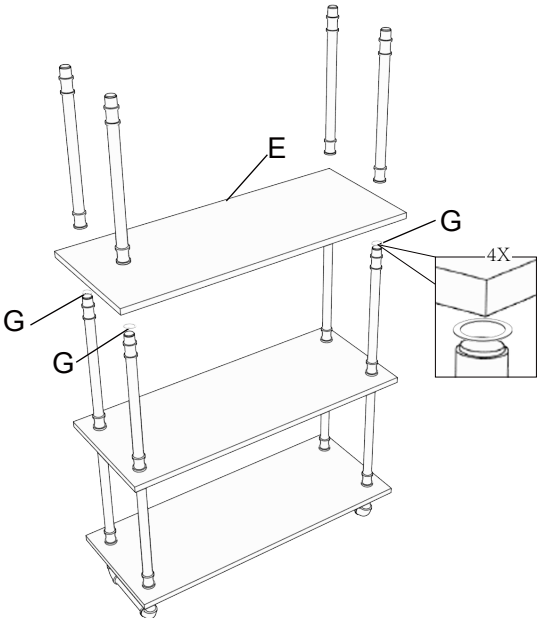


SKU: 6090-505WBR  
ASSEMBLY INSTRUCTION

STEP 5



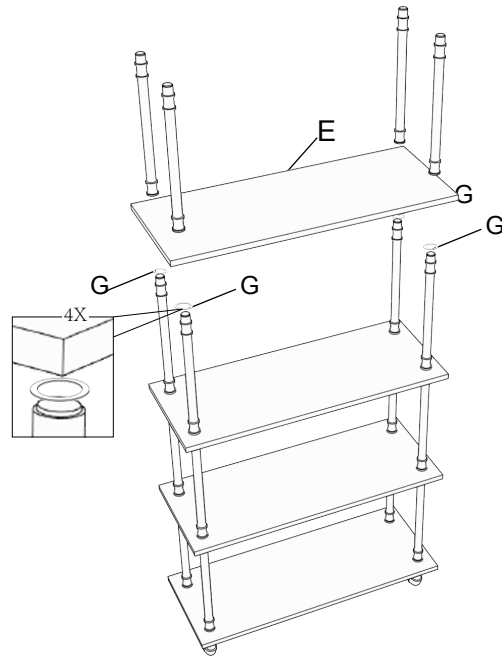
STEP 6



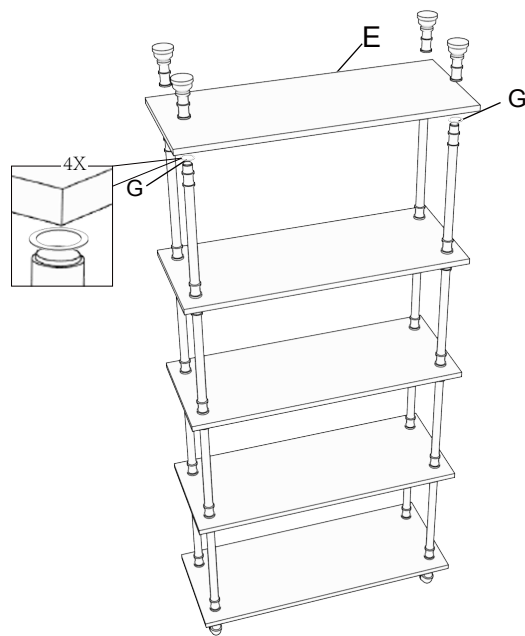
# SKU: 6090-505WBR

## ASSEMBLY INSTRUCTION

### STEP 7

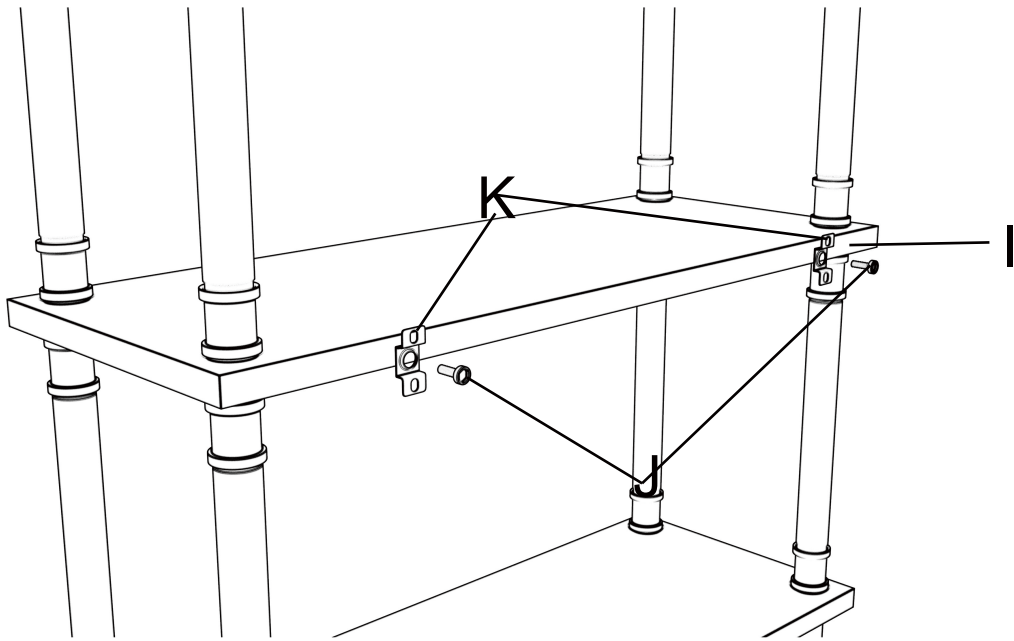


### STEP 8

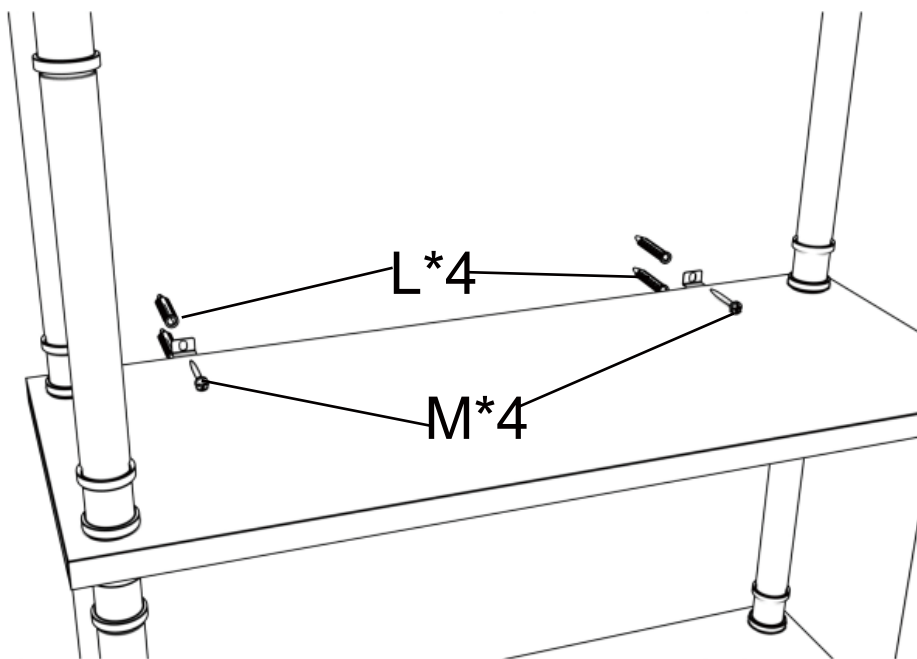


SKU: 6090-505WBR  
ASSEMBLY INSTRUCTION

STEP 9



STEP 10



SKU: 6090-505WBR  
ASSEMBLY INSTRUCTION

STEP 11

