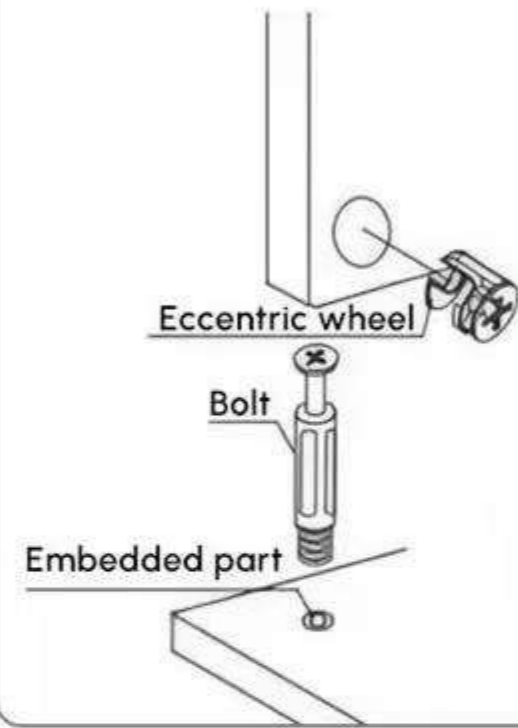
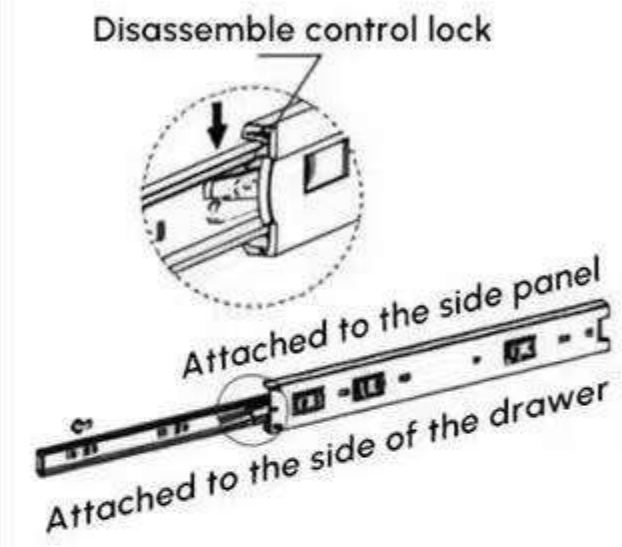


### Three-in-one user manual

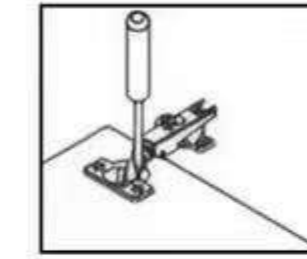


1. Tap the embedded part into the hole in the wooden board (10mm diameter), flush with the board surface.
2. Screw the bolt into the embedded part.
3. Insert the installed bolt into the corresponding hole in the other board. Press the eccentric wheel into the 15mm diameter hole, ensuring the arrow marking aligns with the side hole in this row.
4. Use a phillips screwdriver to tighten the eccentric wheel clockwise.

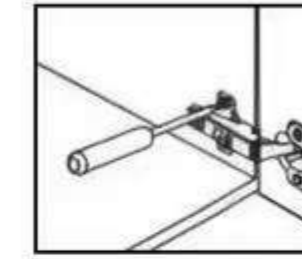
### Slide usage instructions



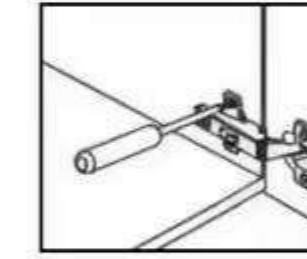
### Hinge usage instructions



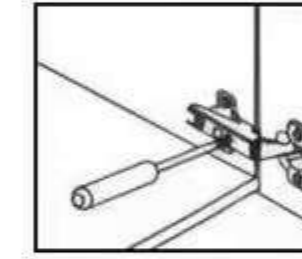
Install hinge on the door



Attach the hinge to the cabinet

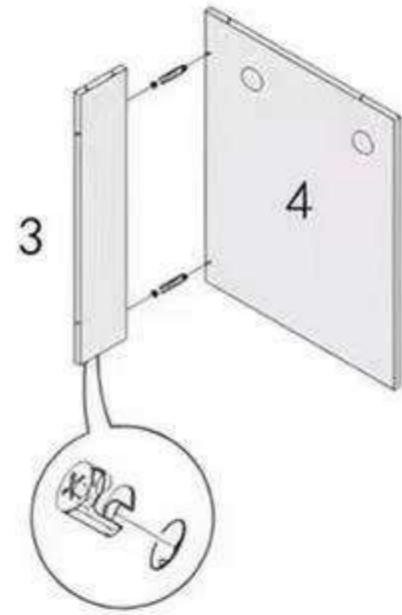


Door gap adjustment



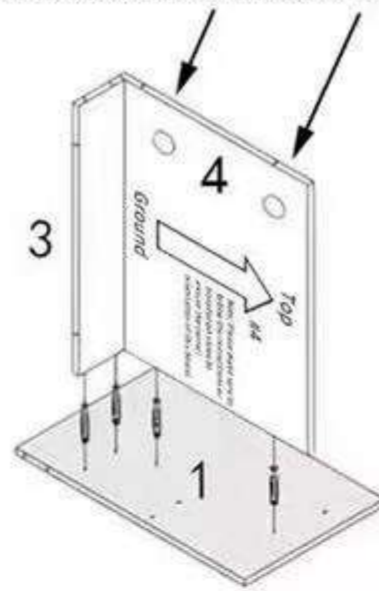
Height adjustment up and down

1

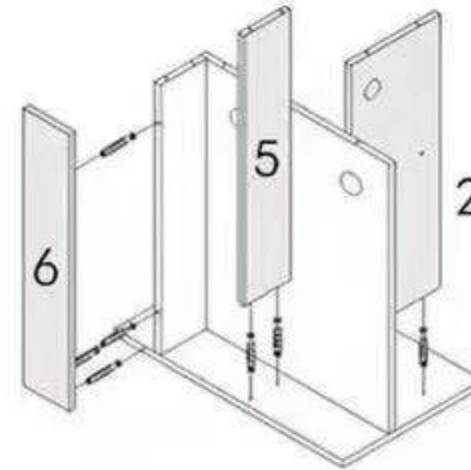


2

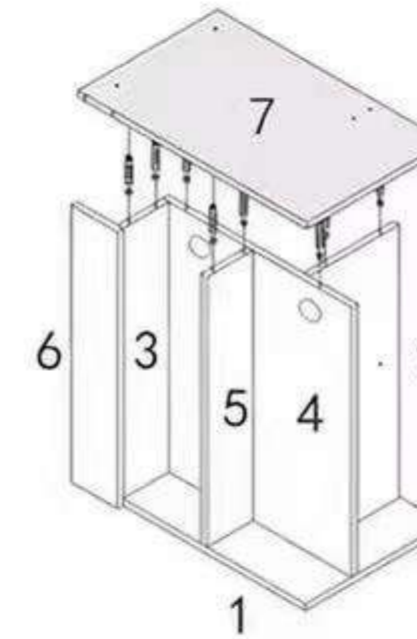
Note: The two holes are located away from Board 1.



3

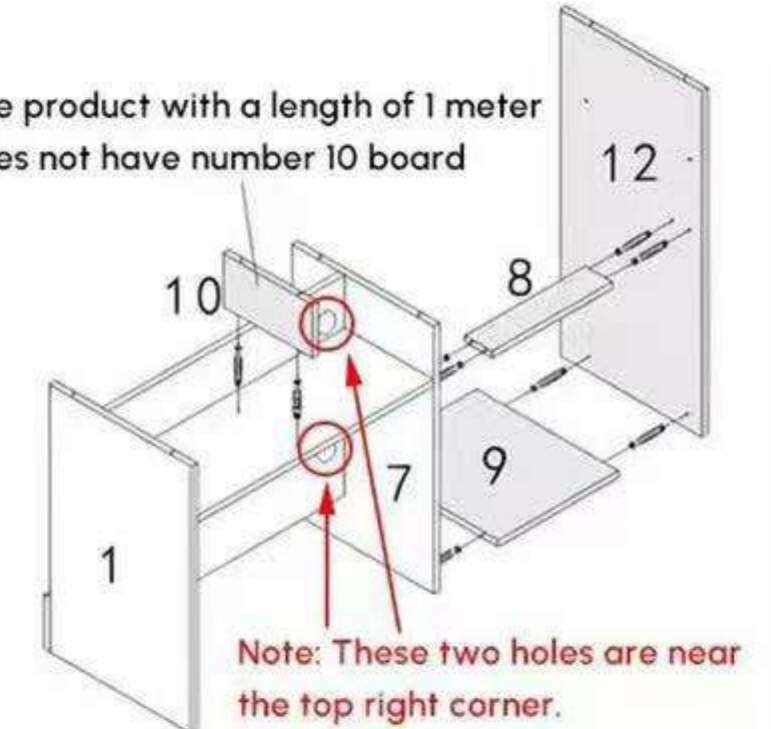


4

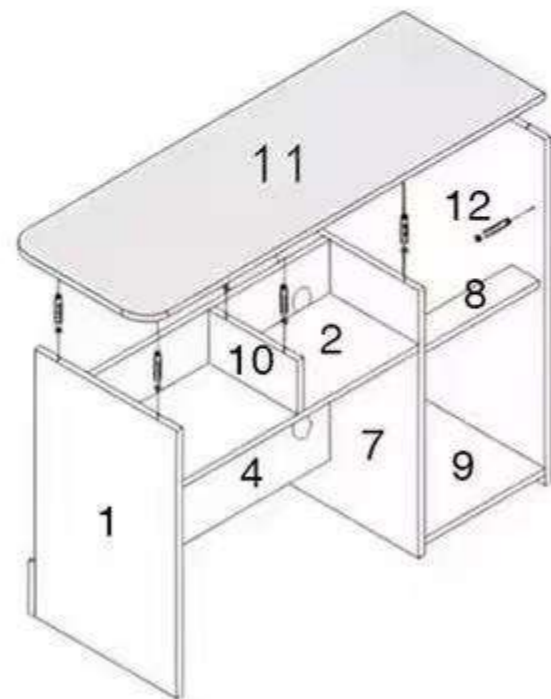


5

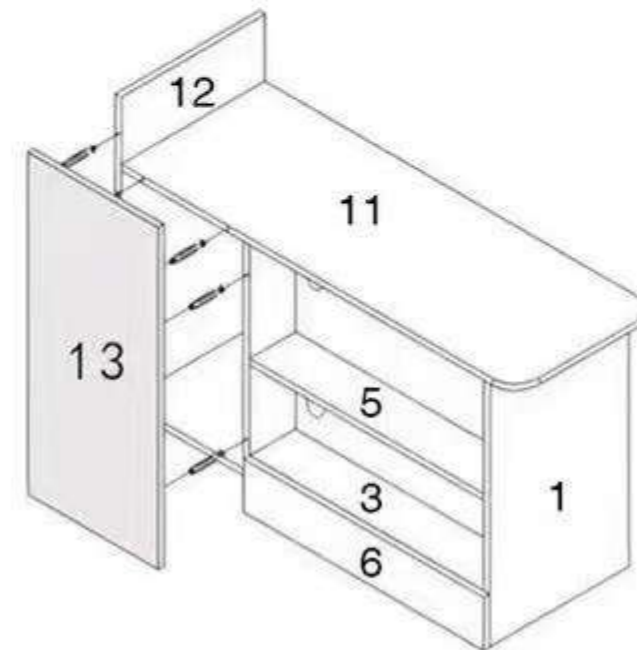
The product with a length of 1 meter does not have number 10 board



6



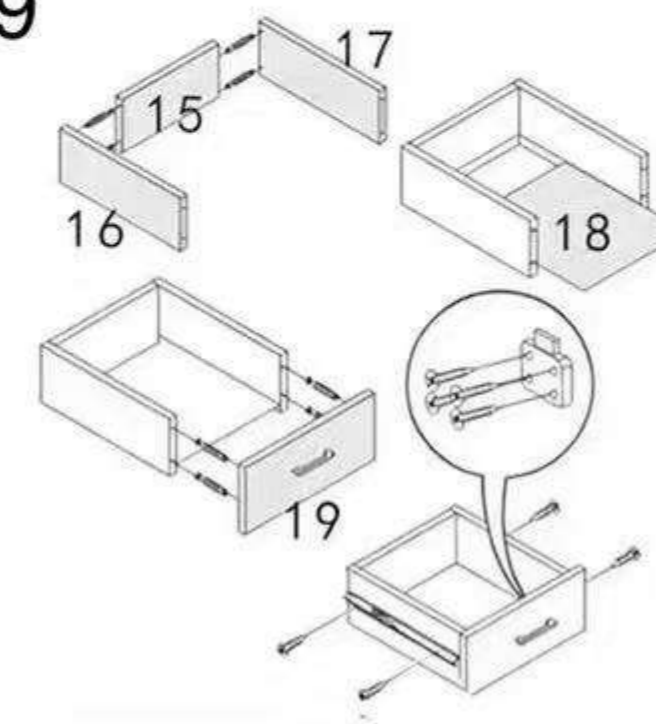
7



8



9



10

