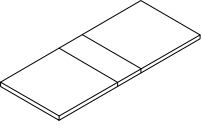
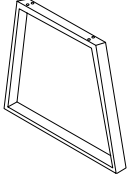

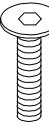
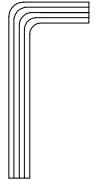
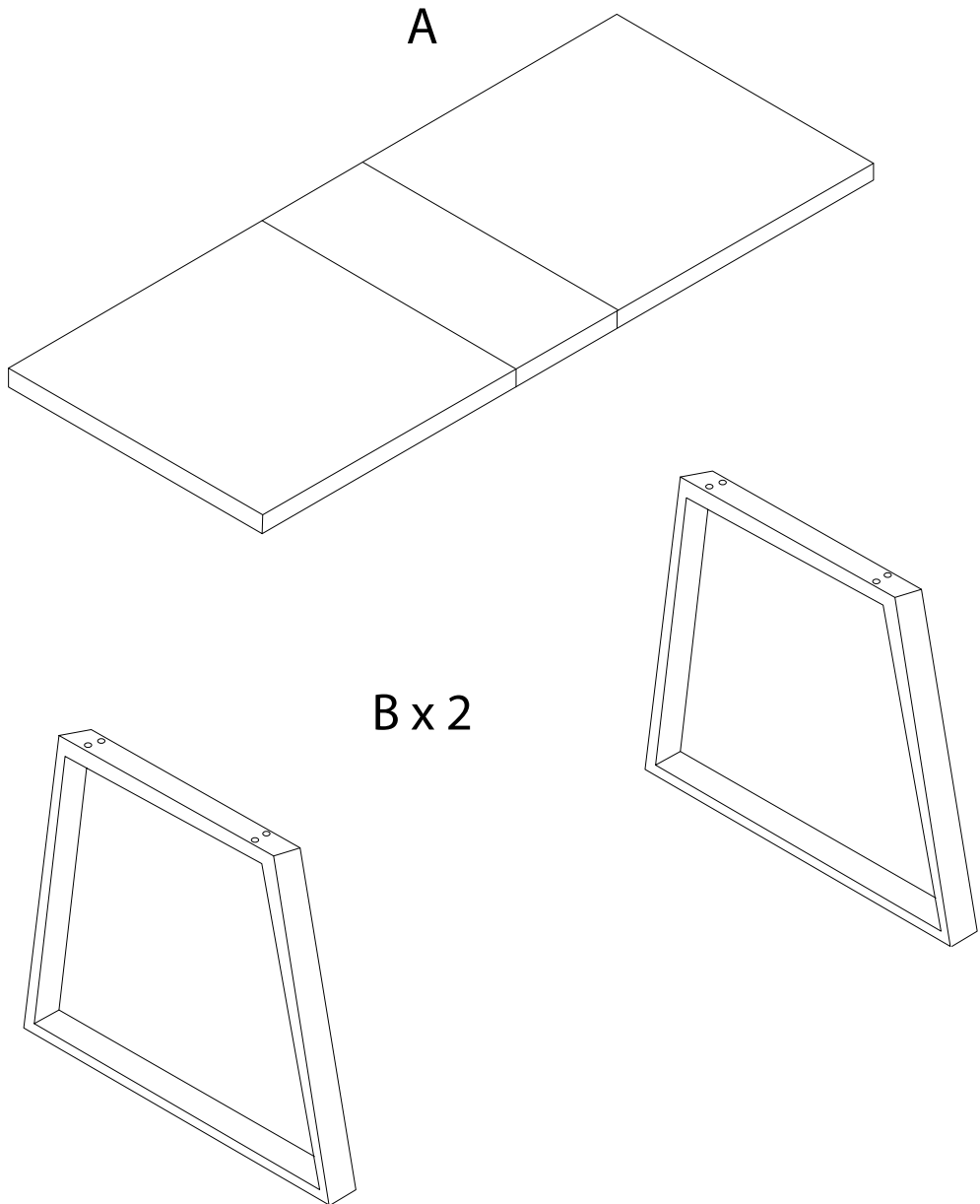


Diagram illustrating assembly steps and safety warnings:

- Step 1:** Shows an L-shaped bracket being inserted into a hole in the table leg. A power drill is shown with a slash through it, indicating that a power drill should not be used for this step. A warning triangle with an exclamation mark is present.
- Step 2:** Shows a rectangular block being placed on a surface. A power drill is shown with a slash through it, indicating that a power drill should not be used for this step. A warning triangle with an exclamation mark is present.
- Time:** A clock icon is shown, indicating a time requirement of **20'**.
- Personnel:** A person icon is shown, indicating that **2** people are required for assembly.

<p style="text-align: center;">A</p>  <p style="text-align: center;">x1</p>	<p style="text-align: center;">B</p>  <p style="text-align: center;">x2</p>	<p style="text-align: center;">C</p>  <p style="text-align: center;">x8</p>	<p style="text-align: center;">D</p>  <p style="text-align: center;">M8 x 30</p> <p style="text-align: center;">x8</p>	<p style="text-align: center;">E</p>  <p style="text-align: center;">x1</p>
--	--	--	--	--



1

