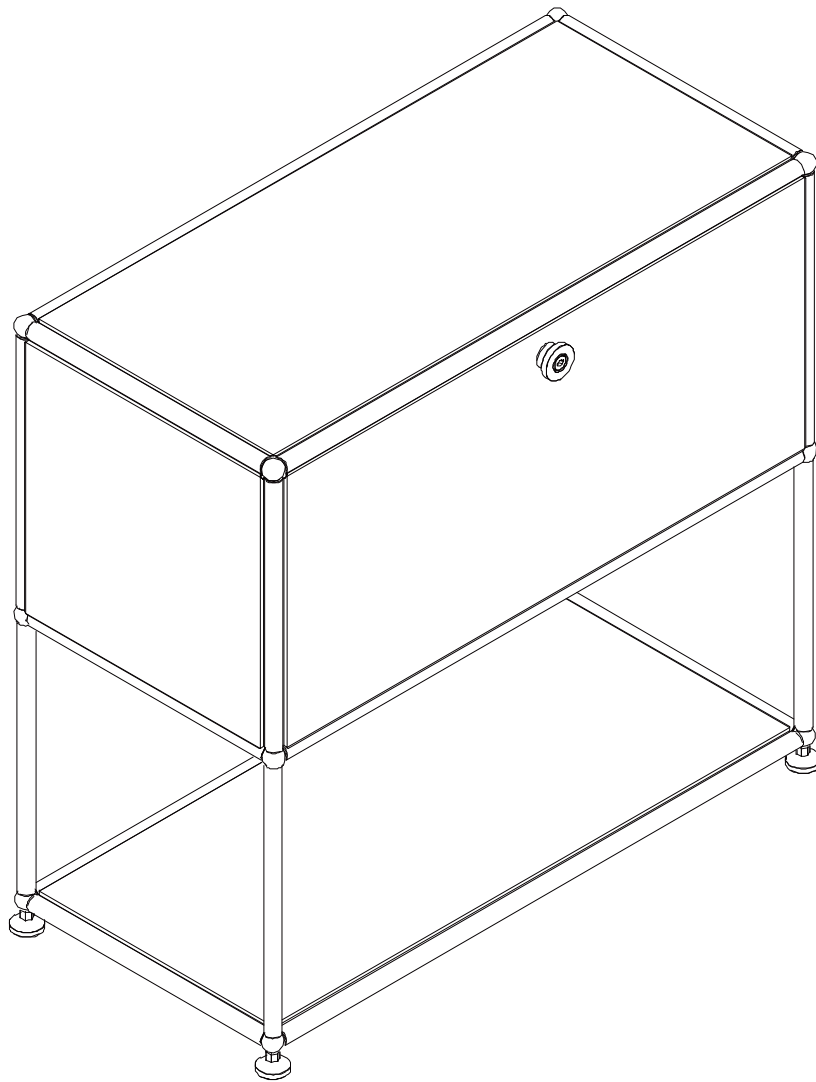


ASSEMBLY INSTRUCTIONS

Storage Cabinets Type D



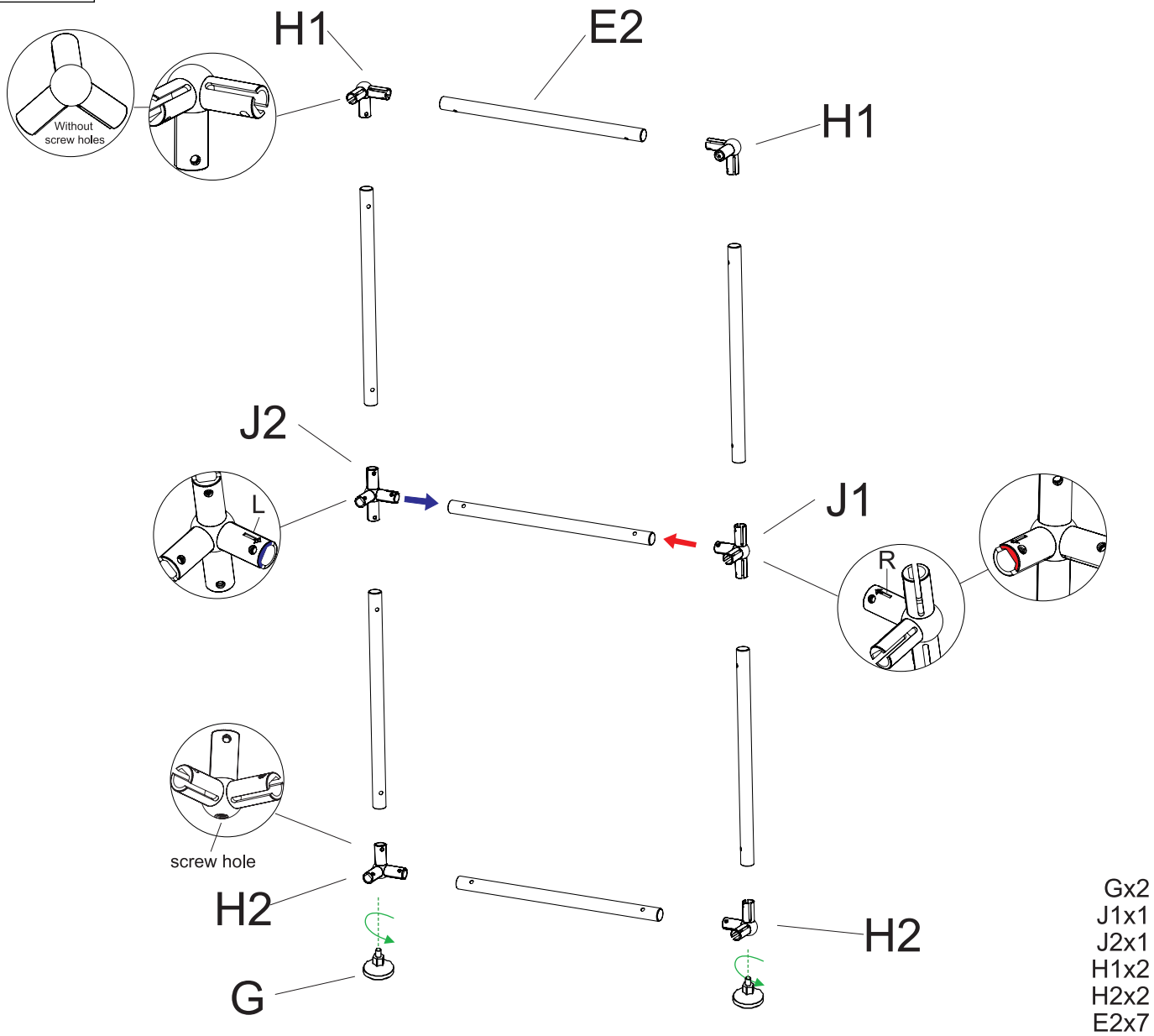
Part List

①	②	③	⑥	⑧
x1	x1	x1	M3x28 x2	M4x14 x2

A	B	C	E1	E2	F	G	H1
x4	x1	x2	Long x6	Short x14	x1	x4	x4

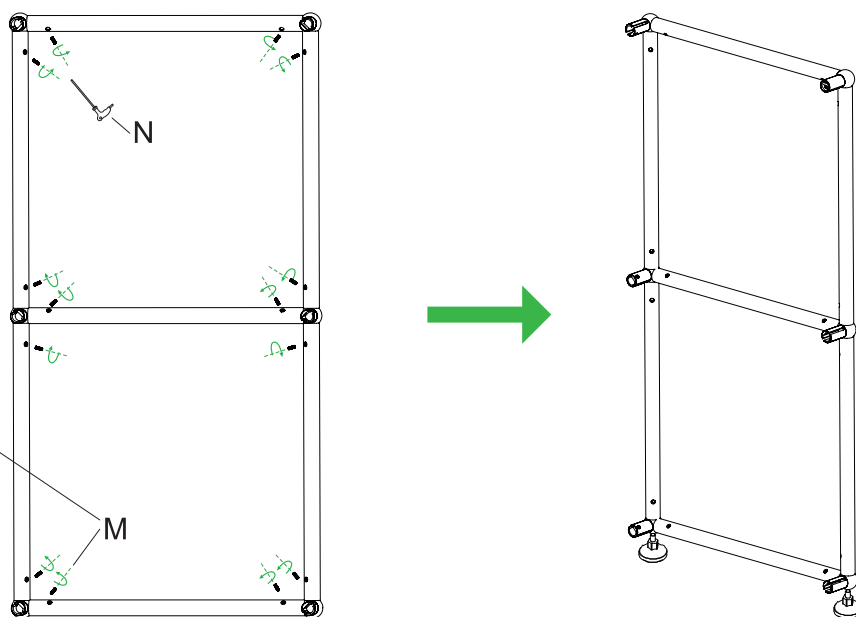
H2	J1	J2	M	N	II
x4	x2	x2	x40	x1	x1

Step1



Step2

Do not tighten the **M** screws completely, otherwise it will not be possible to adjust the overall product later.



Step3

E1
N
M
Step2
Step2

Tighten all **M** screws completely, when the cube frame is done.

Mx12
E1x6
Step2x2

Step4

A
A

Ax2

Step5

C
①
II

Partially unscrew the three screws in ① before installing it on the metal panel.

Cx1
①x1
Step5x1

Step6

C
②
II

Partially unscrew the three screws in ② before installing it on the metal panel.

Cx1
②x1
Step6x1

Step7

C
C

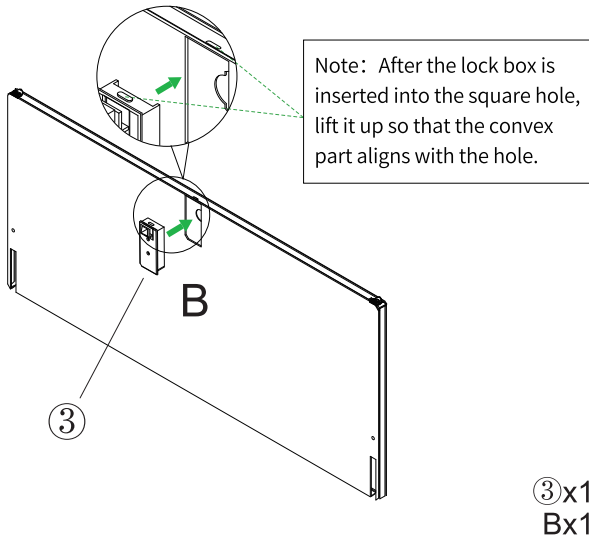
Step5x1
Step6x1

Step8

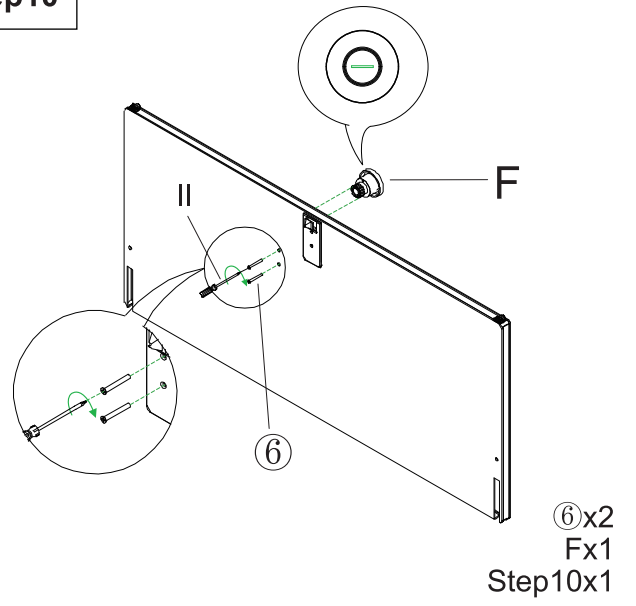
A
A

Ax2

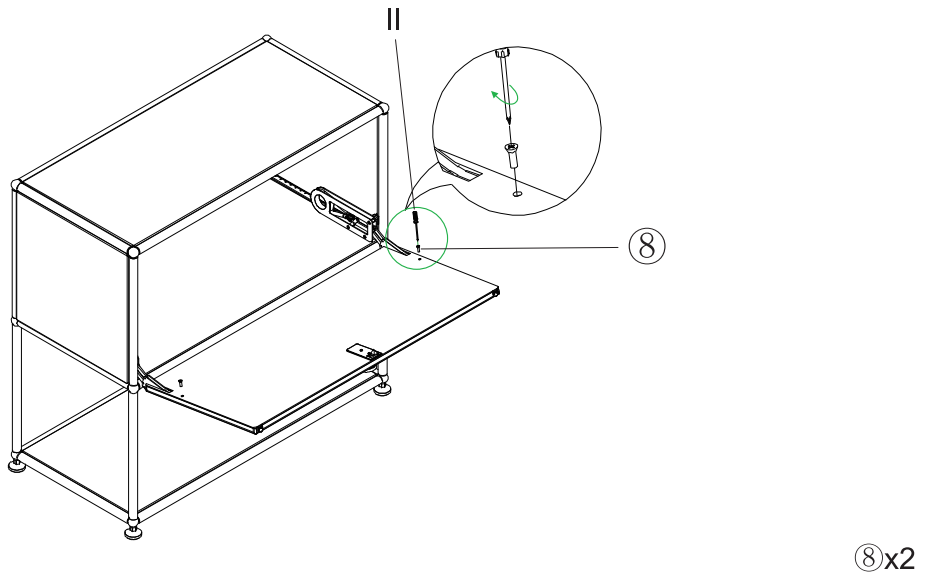
Step9



Step10



Step11



Finish

