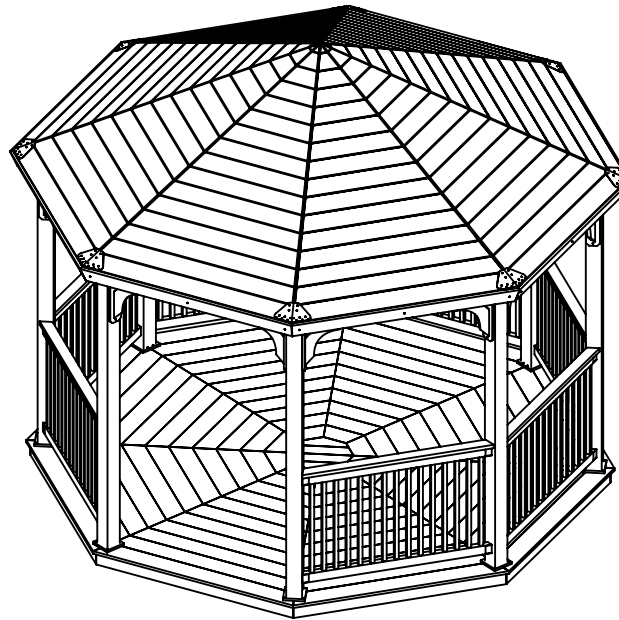


# 12' Octagon Vinyl Gazebo

## DESIGN REQUIREMENTS

1. Governing Code:  
Including, not limited to: IBC 2015 (ASCE 7-05)  
Risk Category: 1
2. Dead Load: 5 psf
4. Ground Snow Load: 30 psf
5. Wind Load:  
Basic Wind Speed (V): 125 mph  
Exposure Class: B  
Open Building, Unrestricted Flow



191 JALYN DRIVE NEW HOLLAND, PA 17557  
PH: 1-866-210-9273

WWW.YARDCRAFT.COM

THIS DRAWING IS THE PROPERTY OF YARD CRAFT. ANY REPRODUCTION, ALTERATION, OR USE OF THIS DRAWING, WITHOUT THE WRITTEN CONSENT OF YARD CRAFT, IS PROHIBITED. DRAWINGS SHALL NOT BE SCALED TO OBTAIN DIMENSIONS. THE CONTRACTORS/DEALERS, AND BUILDERS INVOLVED ON THIS PROJECT SHALL VERIFY ALL DIMENSIONS AND CONDITIONS BEFORE STARTING WORK. ANY DISCREPANCY SHALL BE REPORTED IN WRITING BEFORE STARTING WORK.

CONTRACTOR:  
YardCraft

DRAWING TITLE:  
Cover Page

PROJECT:  
12' Octagon Vinyl  
Gazebo

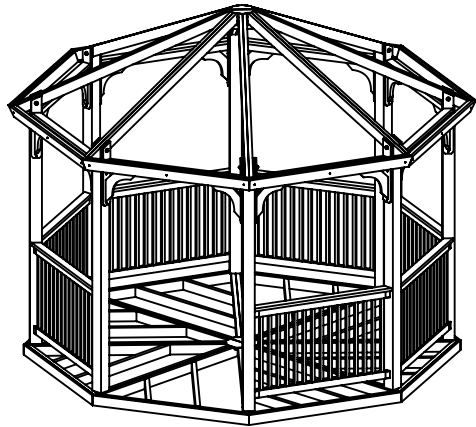
COMMENTS:

REVISIONS:	DATE:	BY:
------------	-------	-----

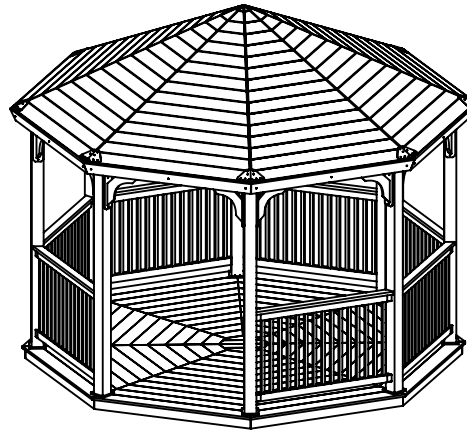
DRAWING NUMBER: 17-285

DATE: 10/23/2017	PAGE: 1 of 6
------------------	--------------

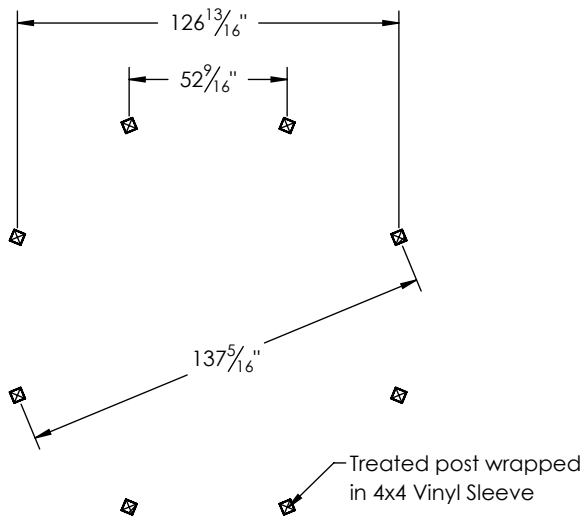
BY: JR.	SCALE: 1:48
---------	-------------



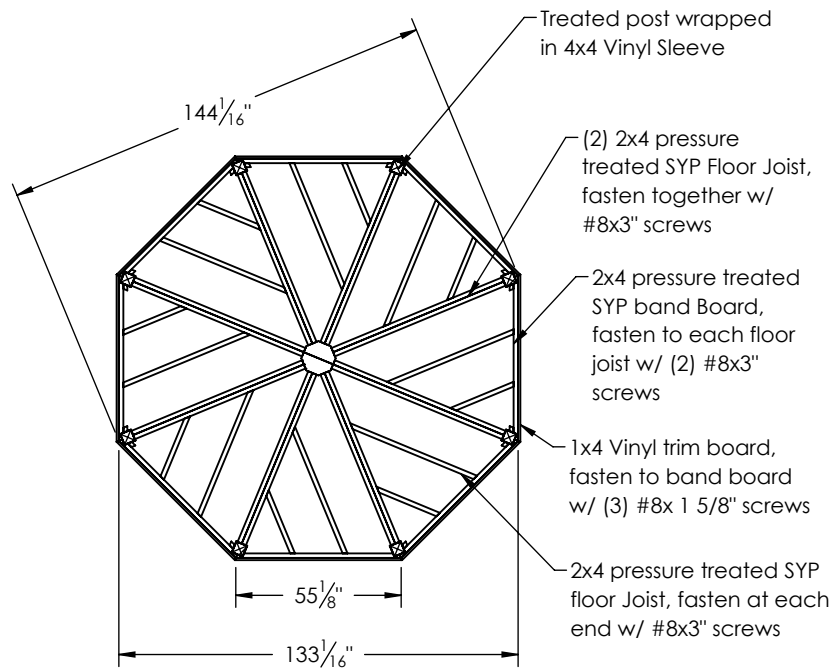
Framing Elevation



Elevation



Post Layout Plan



Floor Framing Plan



191 JALYN DRIVE NEW HOLLAND, PA 17557  
PH: 1-866-210-9273

WWW.YARDCRAFT.COM

THIS DRAWING IS THE PROPERTY OF YARD CRAFT, AND REPRODUCTION, ALTERATION, OR USE OF THIS DRAWING, WITHOUT THE WRITTEN CONSENT OF YARD CRAFT, IS PROHIBITED. DRAWINGS SHALL NOT BE SCALED TO OBTAIN DIMENSIONS. THE CONTRACTORS/DEALERS, AND BUILDERS INVOLVED ON THIS PROJECT SHALL VERIFY ALL DIMENSIONS AND CONDITIONS BEFORE STARTING WORK, AND ANY DISCREPANCY SHALL BE REPORTED IN WRITING BEFORE STARTING WORK.

CONTRACTOR:  
YardCraft

DRAWING TITLE:  
Elevations

PROJECT:  
12' Octagon Vinyl Gazebo

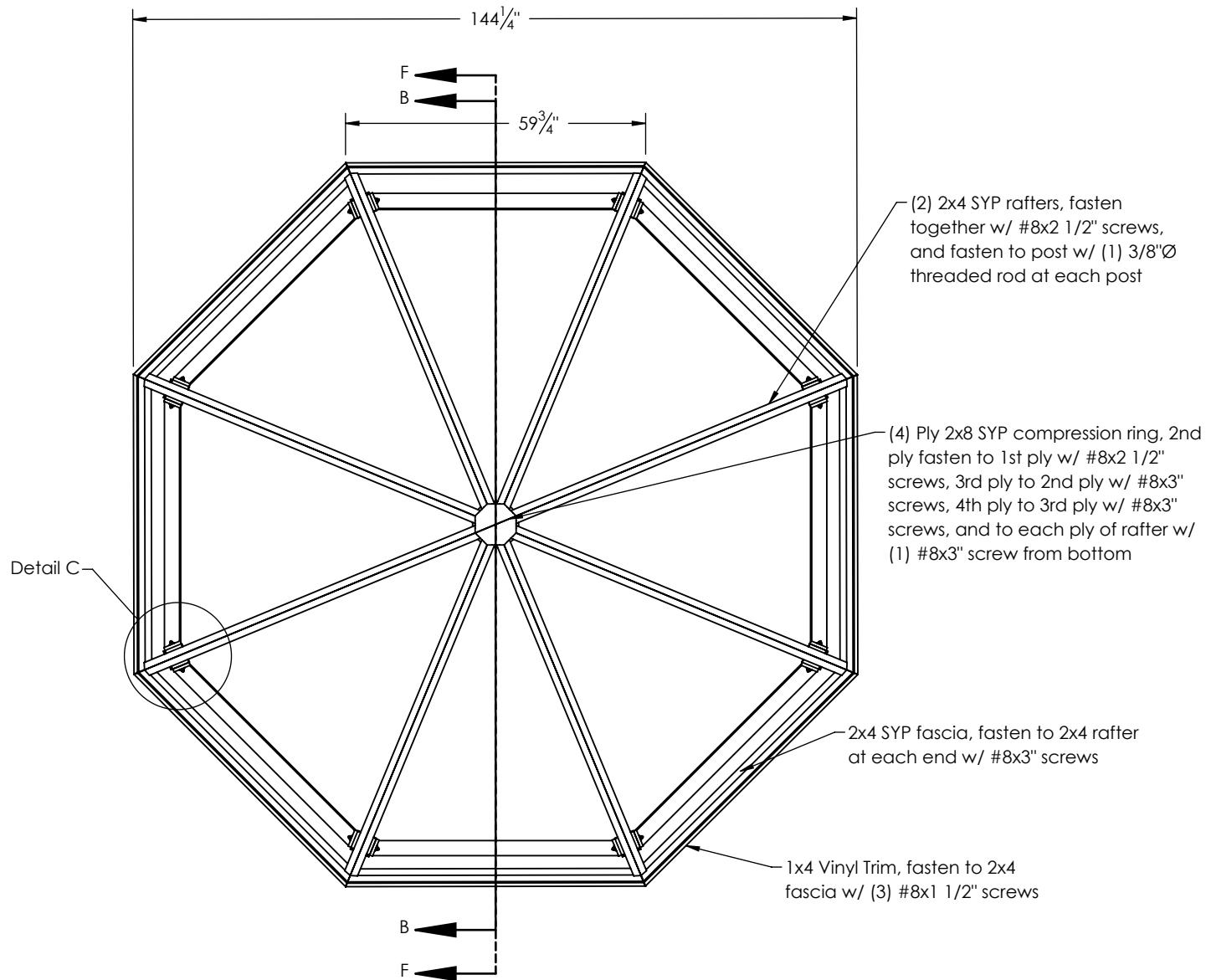
COMMENTS:

REVISIONS:	DATE:	BY:
------------	-------	-----

DRAWING NUMBER: 17-285

DATE: 10/23/2017	PAGE: 2 of 6
------------------	--------------

BY: JR.	SCALE: 1:64
---------	-------------



(2) 2x4 SYP rafters, fasten together w/ #8x2 1/2" screws, and fasten to post w/ (1) 3/8"Ø threaded rod at each post

(4) Ply 2x8 SYP compression ring, 2nd ply fasten to 1st ply w/ #8x2 1/2" screws, 3rd ply to 2nd ply w/ #8x3" screws, 4th ply to 3rd ply w/ #8x3" screws, and to each ply of rafter w/ (1) #8x3" screw from bottom

2x4 SYP fascia, fasten to 2x4 rafter at each end w/ #8x3" screws

1x4 Vinyl Trim, fasten to 2x4 fascia w/ (3) #8x1 1/2" screws

Detail C



191 JALYN DRIVE NEW HOLLAND, PA 17557  
PH: 1-866-210-9273

WWW.YARDCRAFT.COM

THIS DRAWING IS THE PROPERTY OF YARD CRAFT, AND REPRODUCTION, ALTERATION, OR USE OF THIS DRAWING, WITHOUT THE WRITTEN CONSENT OF YARD CRAFT, IS PROHIBITED. DRAWINGS SHALL NOT BE SCALED TO OBTAIN DIMENSIONS. THE CONTRACTORS/DEALERS, AND BUILDERS INVOLVED ON THIS PROJECT SHALL VERIFY ALL DIMENSIONS AND CONDITIONS BEFORE STARTING WORK, AND ANY DISCREPANCY SHALL BE REPORTED IN WRITING BEFORE STARTING WORK.

CONTRACTOR:  
YardCraft

DRAWING TITLE:  
Roof Framing Plan

PROJECT:  
12' Octagon Vinyl Gazebo

COMMENTS:

REVISIONS:	DATE:	BY:

DRAWING NUMBER: 17-285

DATE: 10/23/2017 PAGE: 3 of 6

BY: JR. SCALE: 1:32

THIS DRAWING IS THE PROPERTY OF YARD CRAFT, AND REPRODUCTION, ALTERATION, OR USE OF THIS DRAWING, WITHOUT THE WRITTEN CONSENT OF YARD CRAFT, IS PROHIBITED. DRAWINGS SHALL NOT BE SCALED TO OBTAIN DIMENSIONS. THE CONTRACTORS/DEALERS, AND BUILDERS INVOLVED ON THIS PROJECT SHALL VERIFY ALL DIMENSIONS AND CONDITIONS BEFORE STARTING WORK, AND ANY DISCREPANCY SHALL BE REPORTED IN WRITING BEFORE STARTING WORK.

CONTRACTOR:  
**YardCraft**

DRAWING TITLE:  
**Cross Section With Floor**

PROJECT:  
**12' Octagon Vinyl Gazebo**

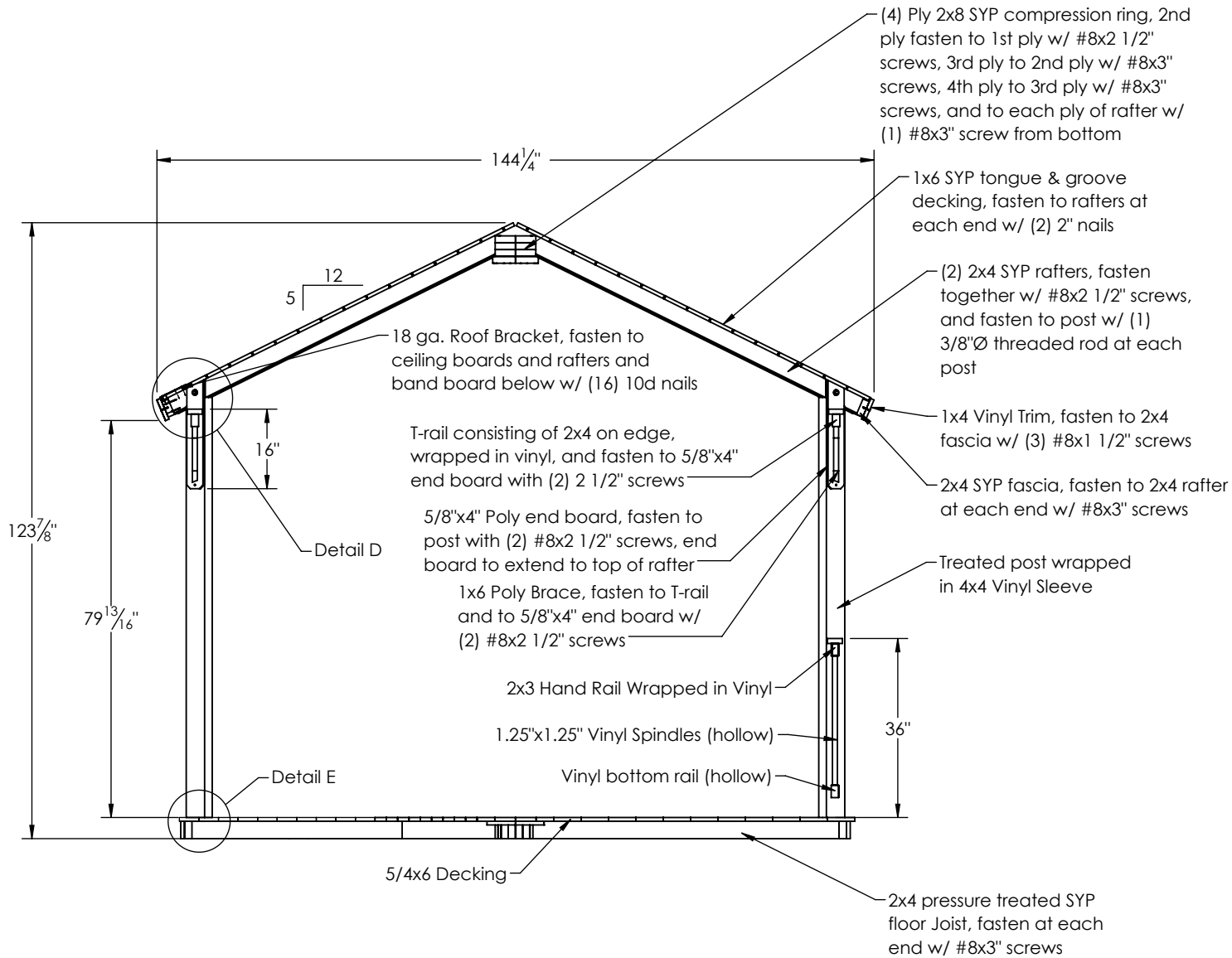
COMMENTS:

REVISIONS:	DATE:	BY:
------------	-------	-----

DRAWING NUMBER: 17-285

DATE: 10/23/2017	PAGE: 4 of 6
------------------	--------------

BY: JR.	SCALE: 1:32
---------	-------------



## CROSS SECTION B-B

With Floor

THIS DRAWING IS THE PROPERTY OF YARD CRAFT, AND REPRODUCTION, ALTERATION, OR USE OF THIS DRAWING, WITHOUT THE WRITTEN CONSENT OF YARD CRAFT, IS PROHIBITED. DRAWINGS SHALL NOT BE SCALED TO OBTAIN DIMENSIONS. THE CONTRACTORS/DEALERS, AND BUILDERS INVOLVED ON THIS PROJECT SHALL VERIFY ALL DIMENSIONS AND CONDITIONS BEFORE STARTING WORK, AND ANY DISCREPANCY SHALL BE REPORTED IN WRITING BEFORE STARTING WORK.

CONTRACTOR:  
YardCraft

DRAWING TITLE:  
Detail Views

PROJECT:  
12' Octagon Vinyl Gazebo

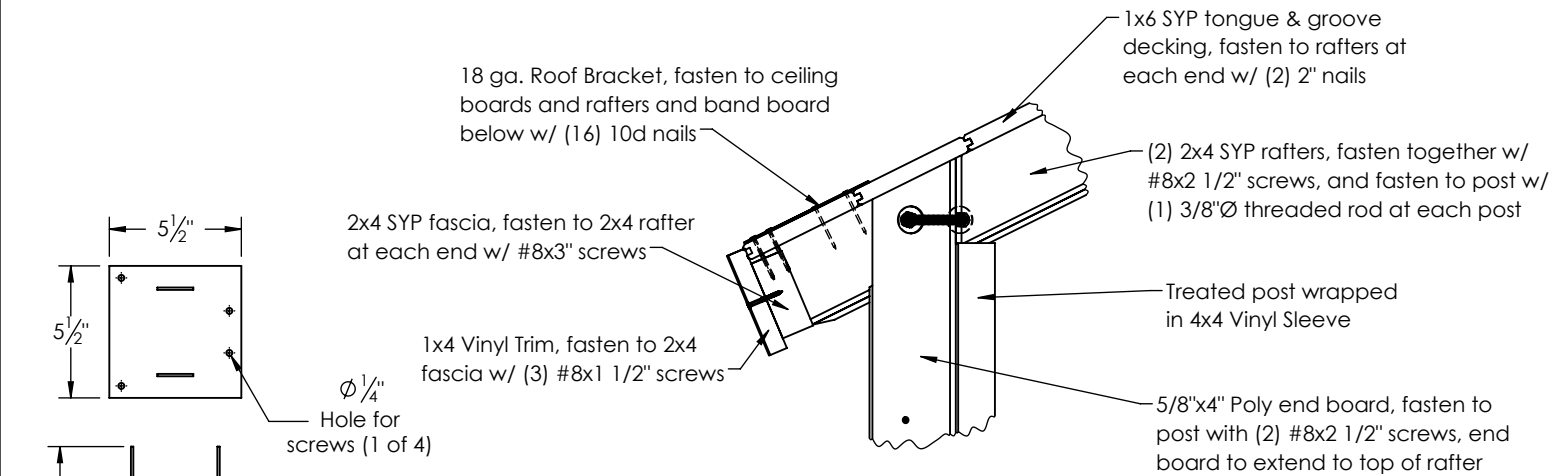
COMMENTS:

REVISIONS:	DATE:	BY:
------------	-------	-----

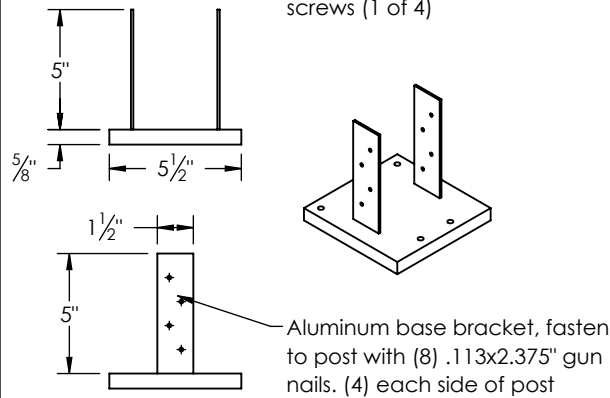
DRAWING NUMBER: 17-285

DATE: 10/23/2017	PAGE: 5 of 6
------------------	--------------

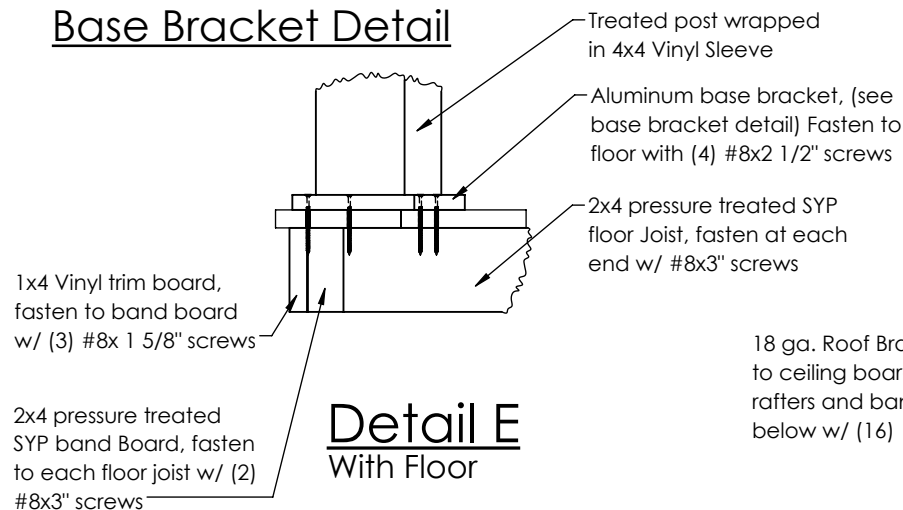
BY: JR.	SCALE: 1:32
---------	-------------



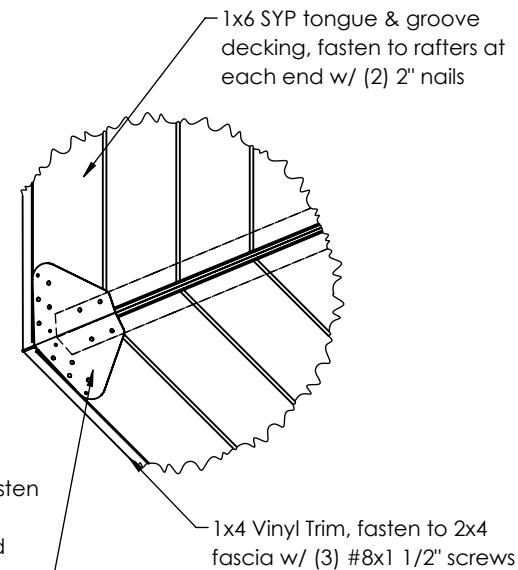
**Detail D**



**Base Bracket Detail**



**Detail E  
With Floor**



**Detail C**

18 ga. Roof Bracket, fasten to ceiling boards and rafters and band board below w/ (16) 10d nails

(4) Ply 2x8 SYP compression ring, 2nd ply fasten to 1st ply w/ #8x2 1/2" screws, 3rd ply to 2nd ply w/ #8x3" screws, 4th ply to 3rd ply w/ #8x3" screws, and to each ply of rafter w/ (1) #8x3" screw from bottom

1x6 SYP tongue & groove decking, fasten to rafters at each end w/ (2) 2" nails

(2) 2x4 SYP rafters, fasten together w/ #8x2 1/2" screws, and fasten to post w/ (1) 3/8"Ø threaded rod at each post

1x4 Vinyl Trim, fasten to 2x4 fascia w/ (3) #8x1 1/2" screws

2x4 SYP fascia, fasten to 2x4 rafter at each end w/ #8x3" screws

Treated post wrapped in 4x4 Vinyl Sleeve

5/8"x4" Poly end board, fasten to post with (2) #8x2 1/2" screws, end board to extend to top of rafter

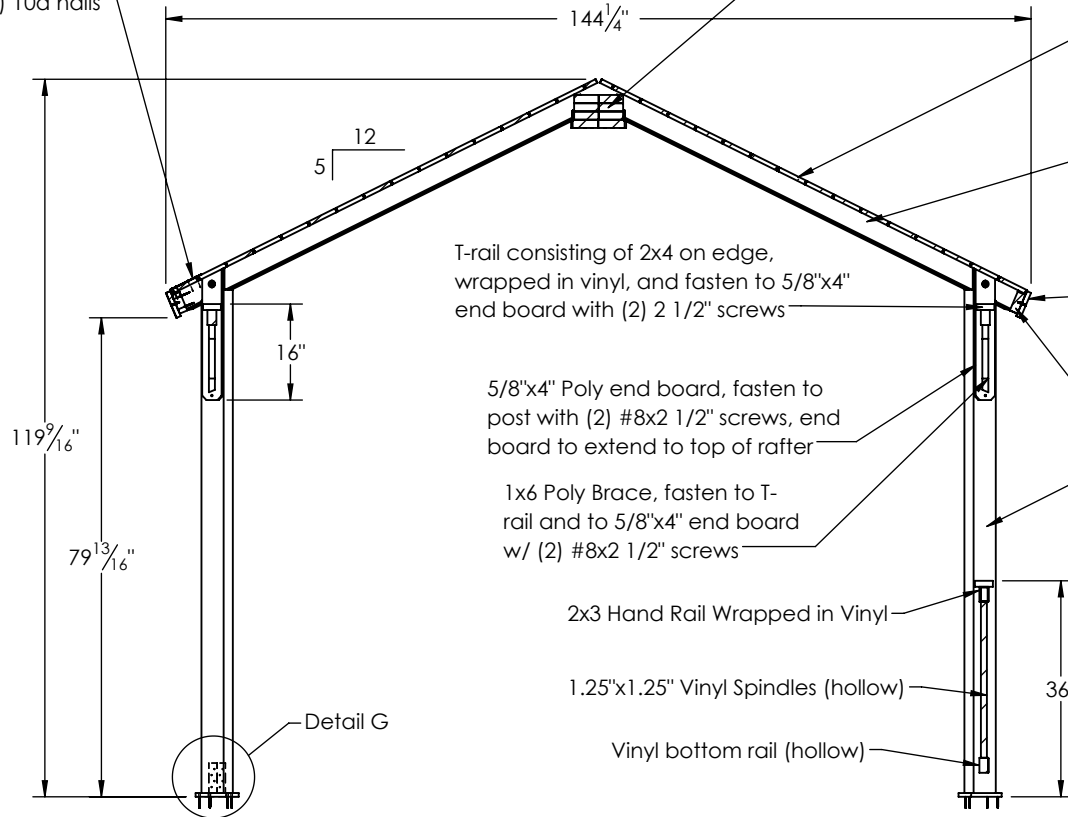
1x6 Poly Brace, fasten to T-rail and to 5/8"x4" end board w/ (2) #8x2 1/2" screws

2x3 Hand Rail Wrapped in Vinyl

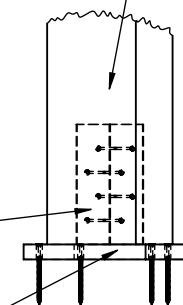
1.25"x1.25" Vinyl Spindles (hollow)

Vinyl bottom rail (hollow)

T-rail consisting of 2x4 on edge, wrapped in vinyl, and fasten to 5/8"x4" end board with (2) 2 1/2" screws



Treated post wrapped in 4x4 Vinyl Sleeve



## CROSS SECTION F-F

Without Floor

Aluminum base bracket, fasten to post with (8) .113x2.375" gun nails. (4) each side of post

Aluminum base bracket, (see base bracket detail) Fasten to wood deck or concrete with (4) #8x2 1/2" screws

## Detail G

Without Floor



191 JALYN DRIVE NEW HOLLAND, PA 17557  
PH: 1-866-210-9273

WWW.YARDCRAFT.COM

THIS DRAWING IS THE PROPERTY OF YARD CRAFT, AND REPRODUCTION, ALTERATION, OR USE OF THIS DRAWING, WITHOUT THE WRITTEN CONSENT OF YARD CRAFT, IS PROHIBITED. DRAWINGS SHALL NOT BE SCALED TO OBTAIN DIMENSIONS. THE CONTRACTORS/DEALERS, AND BUILDERS INVOLVED ON THIS PROJECT SHALL VERIFY ALL DIMENSIONS AND CONDITIONS BEFORE STARTING WORK, AND ANY DISCREPANCY SHALL BE REPORTED IN WRITING BEFORE STARTING WORK.

CONTRACTOR:  
YardCraft

DRAWING TITLE:  
Cross Section Without Floor

PROJECT:  
12' Octagon Vinyl Gazebo

COMMENTS:

REVISIONS:	DATE:	BY:
------------	-------	-----

DRAWING NUMBER: 17-285

DATE: 10/23/2017 PAGE: 6 of 6

BY: JR. SCALE: 1:32