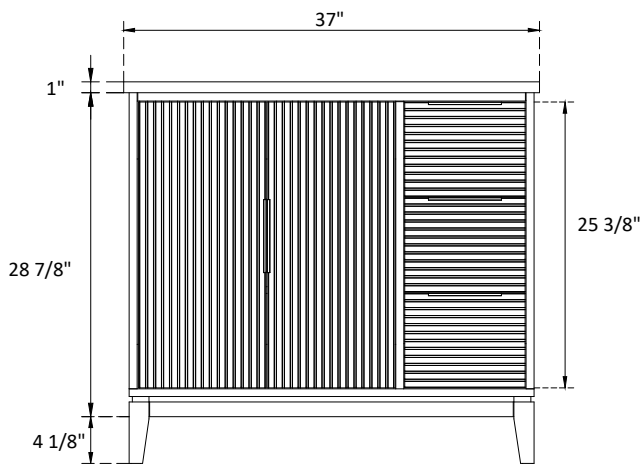
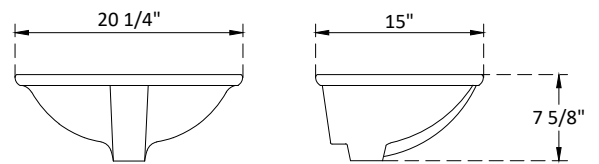
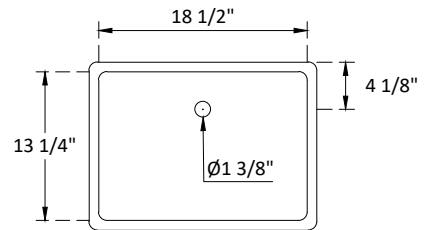
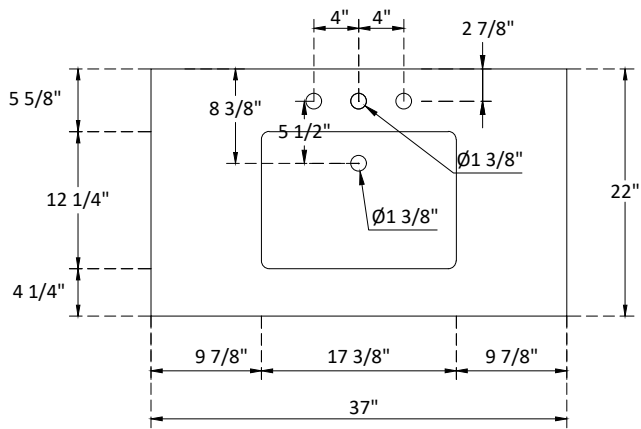


SPECIFICATIONS



Handle:
Overall length : 6 1/2" (165mm)
center to center : 2 7/8" (72.5mm)

