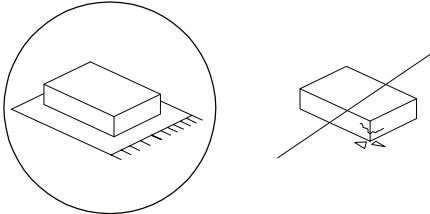


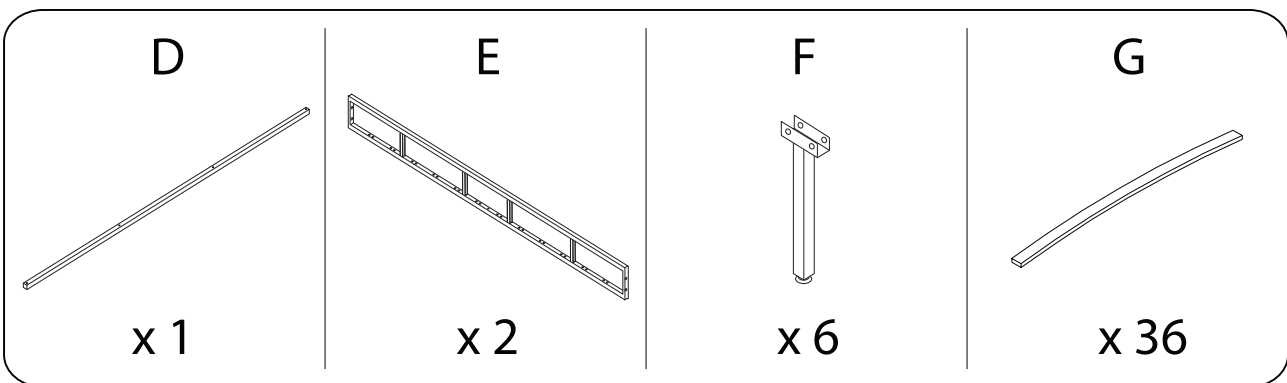
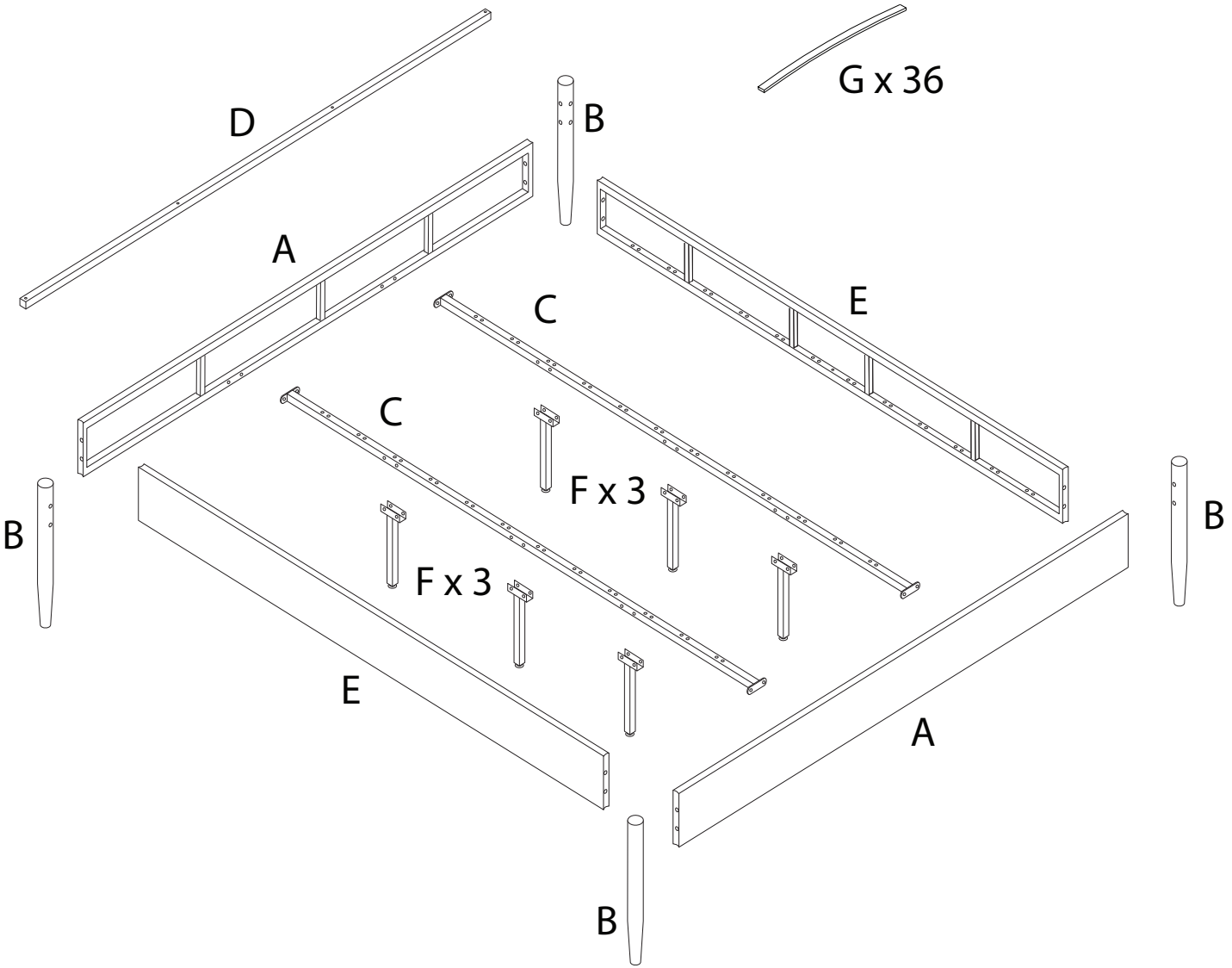
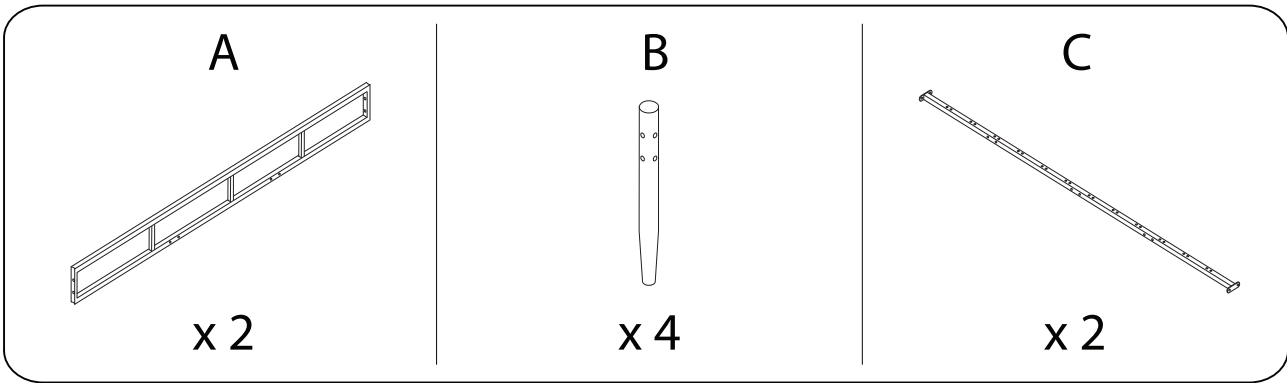
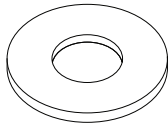

		45'
		
		2

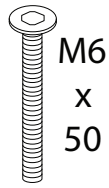


H



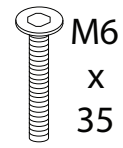
x 46

I



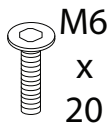
x 2

J



x 2

K



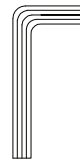
x 24

L



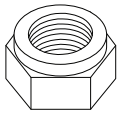
x 1

M



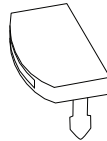
x 1

N



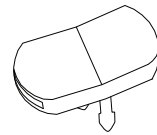
x 14

O



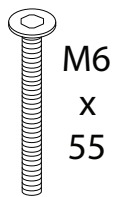
x 24

P



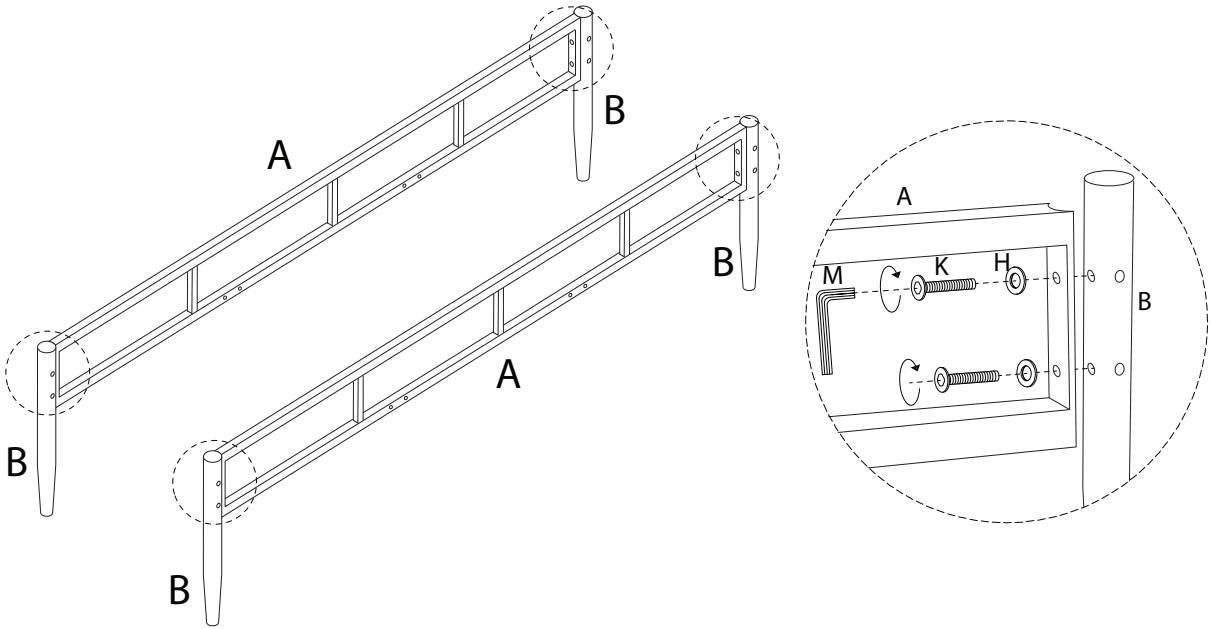
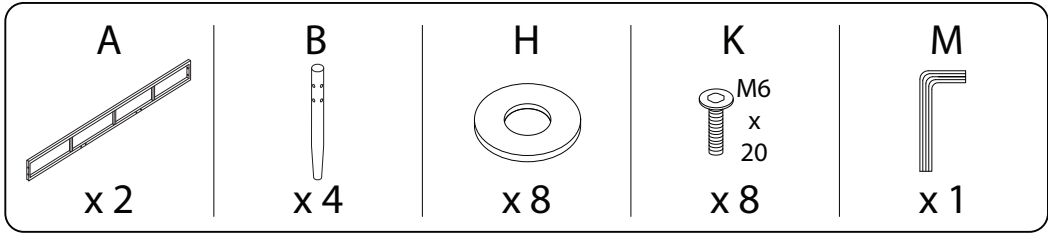
x 24

Q

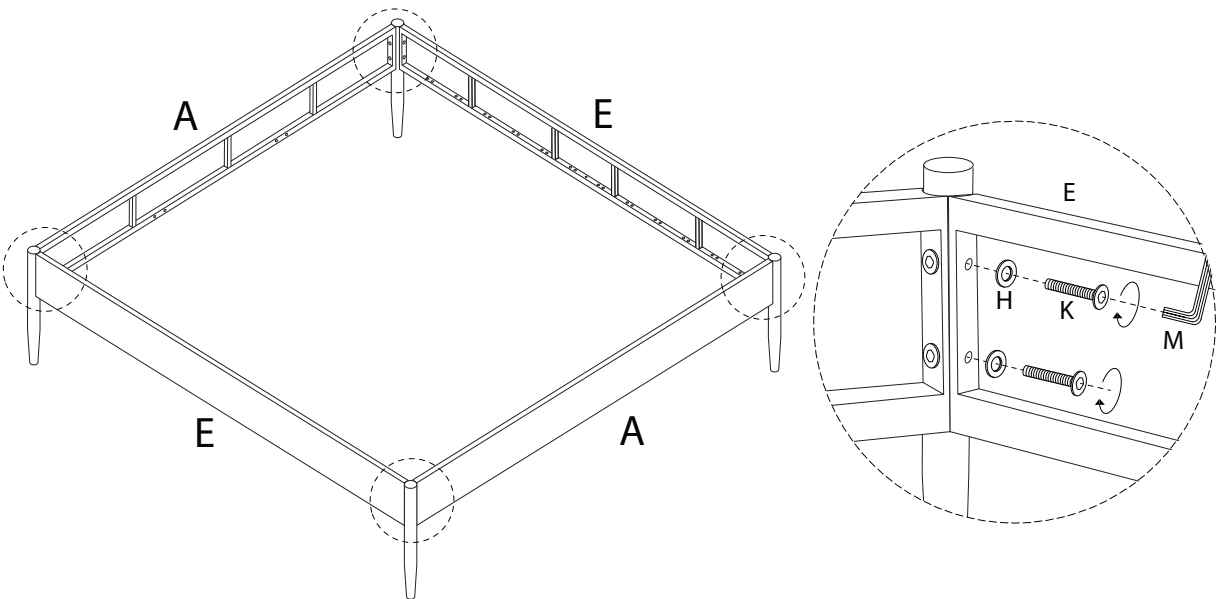
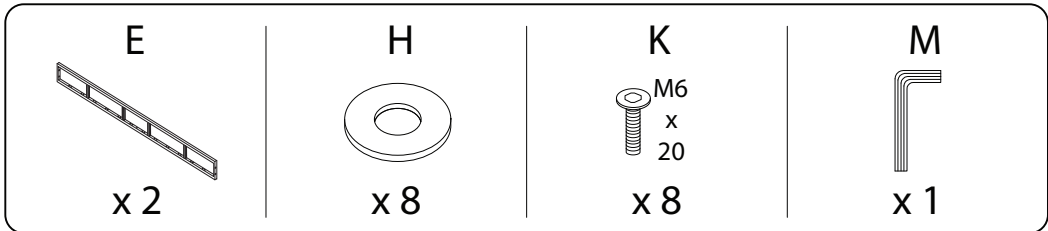


x 12


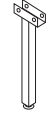


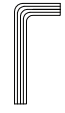

1

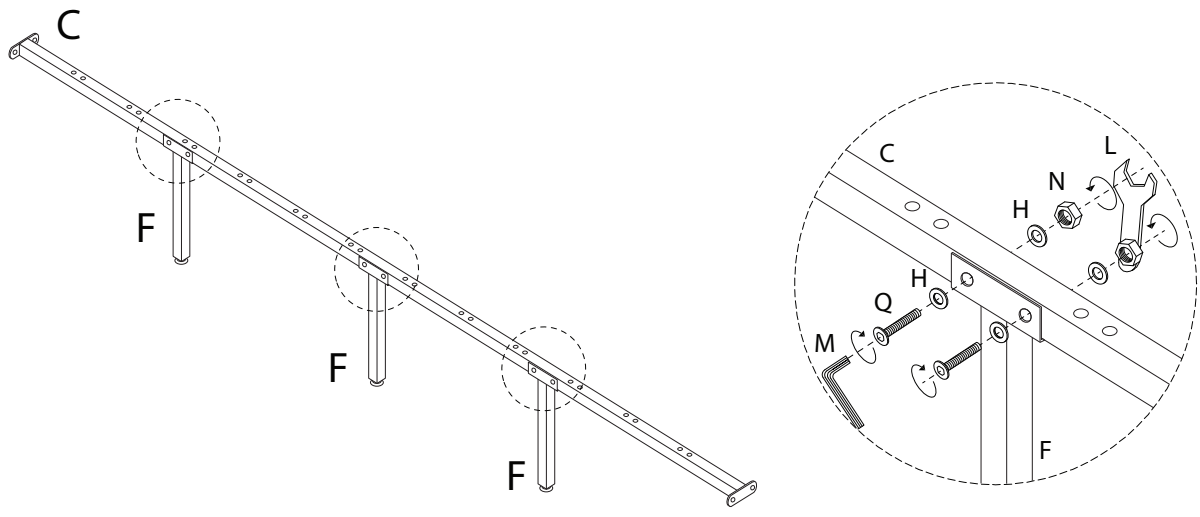


2

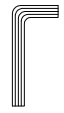


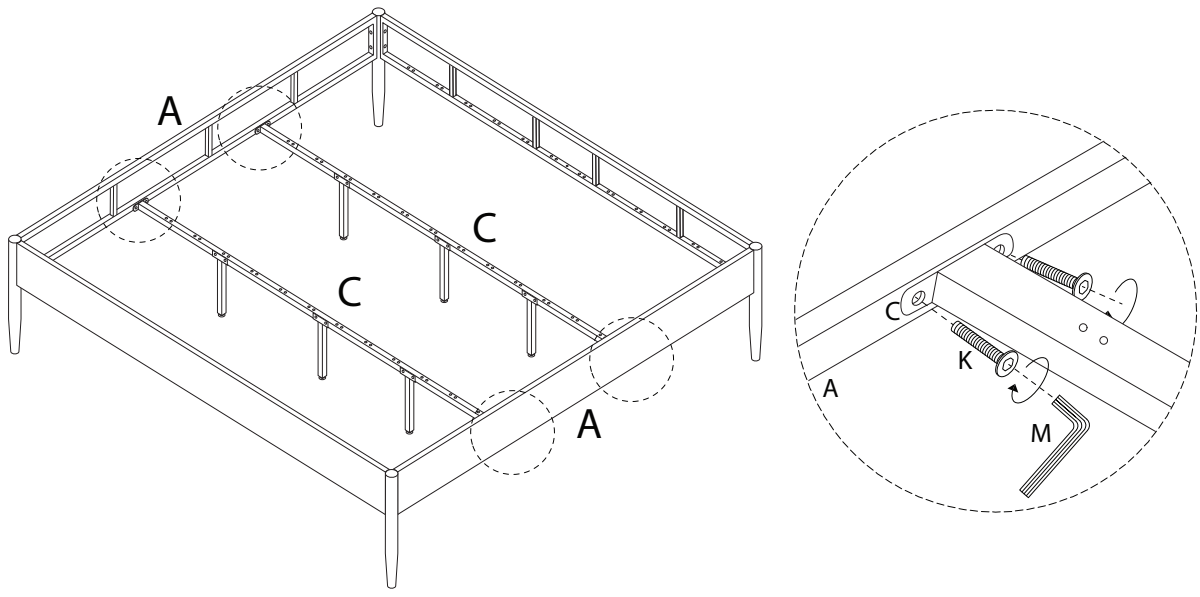
3 x 2

C  x 1	F  x 3	H  x 12	L  x 1	M  x 1	N  x 6	Q M6 x 55 x 6
--	--	---	--	--	--	-------------------------------

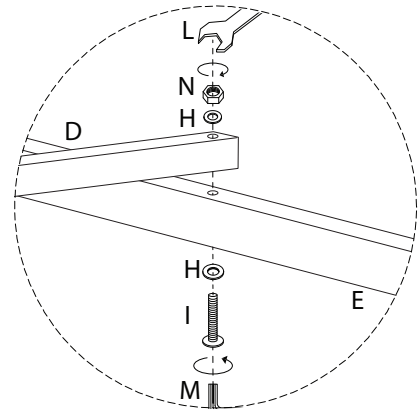
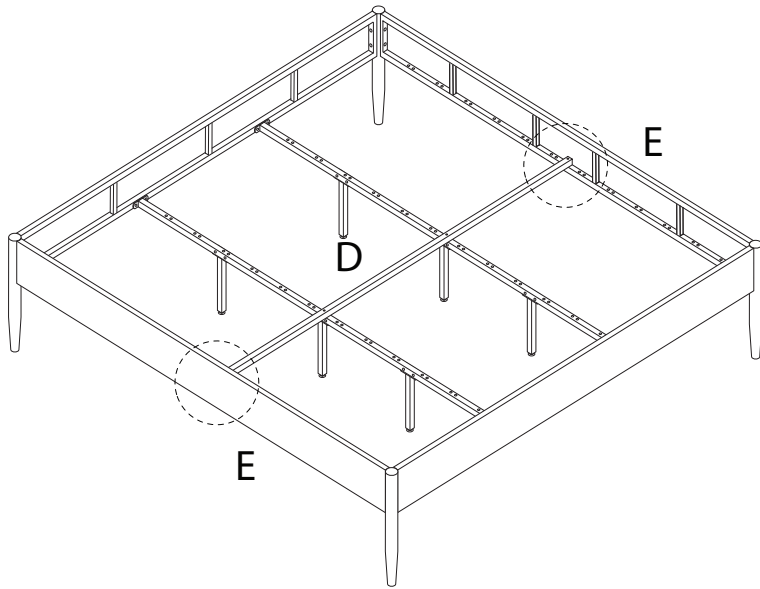
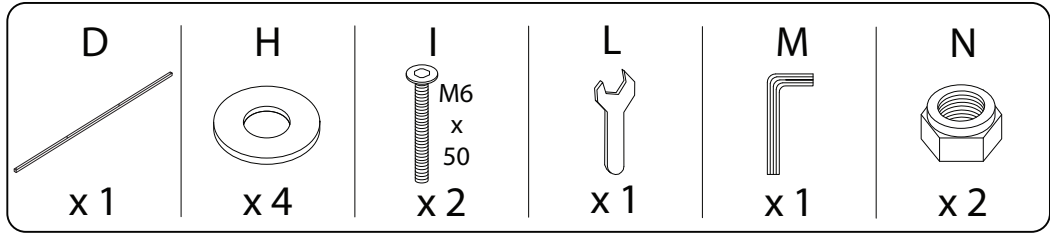


4

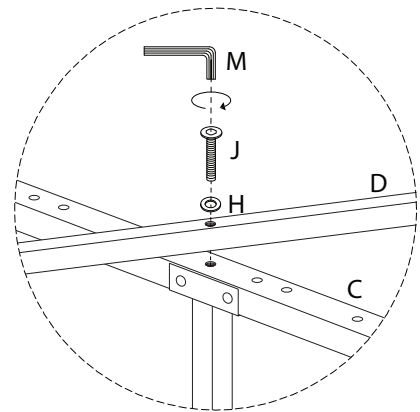
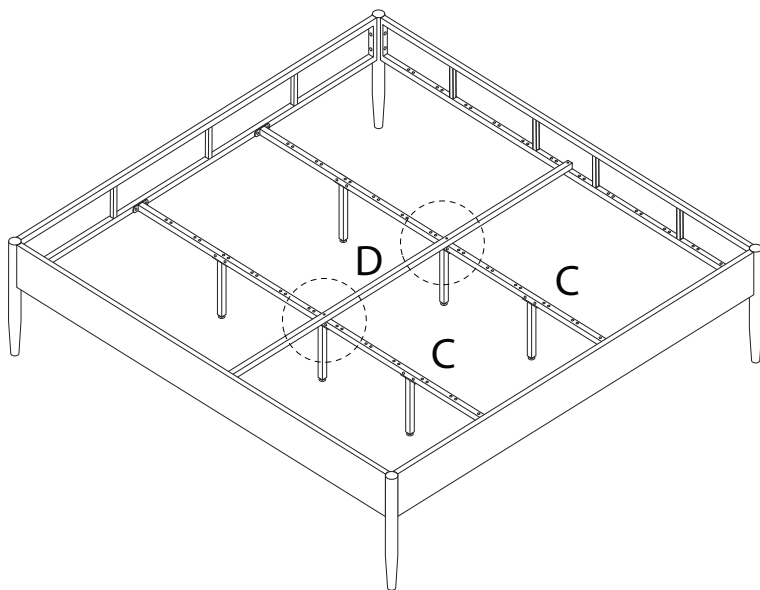
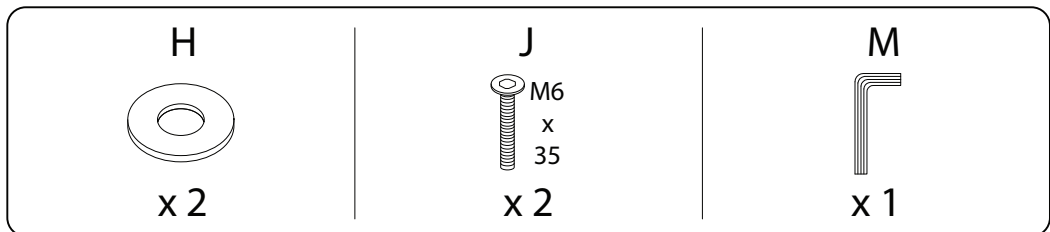
K M6 x 20 x 8	M  x 1
-------------------------------	--



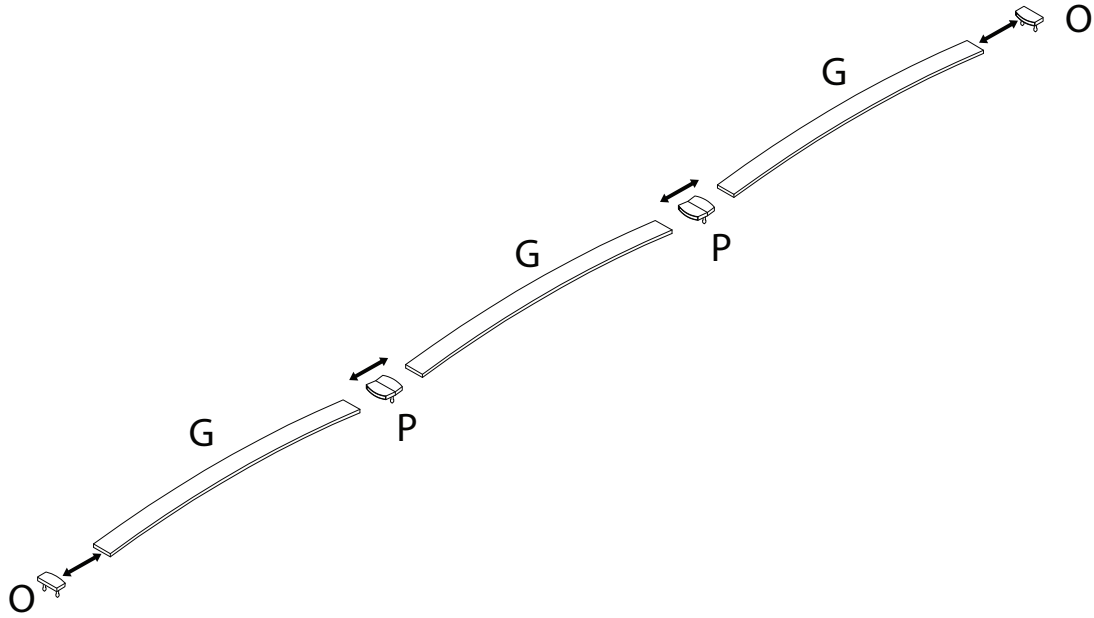
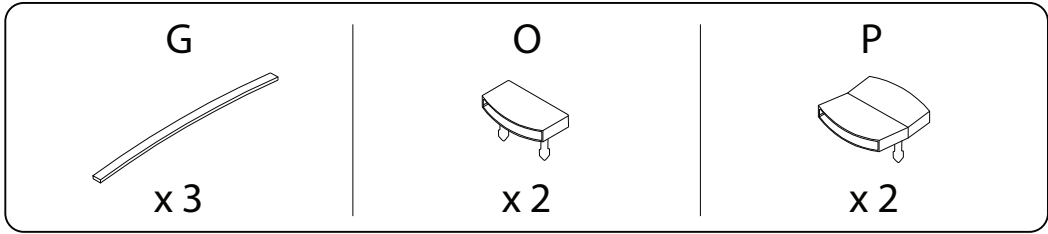
5



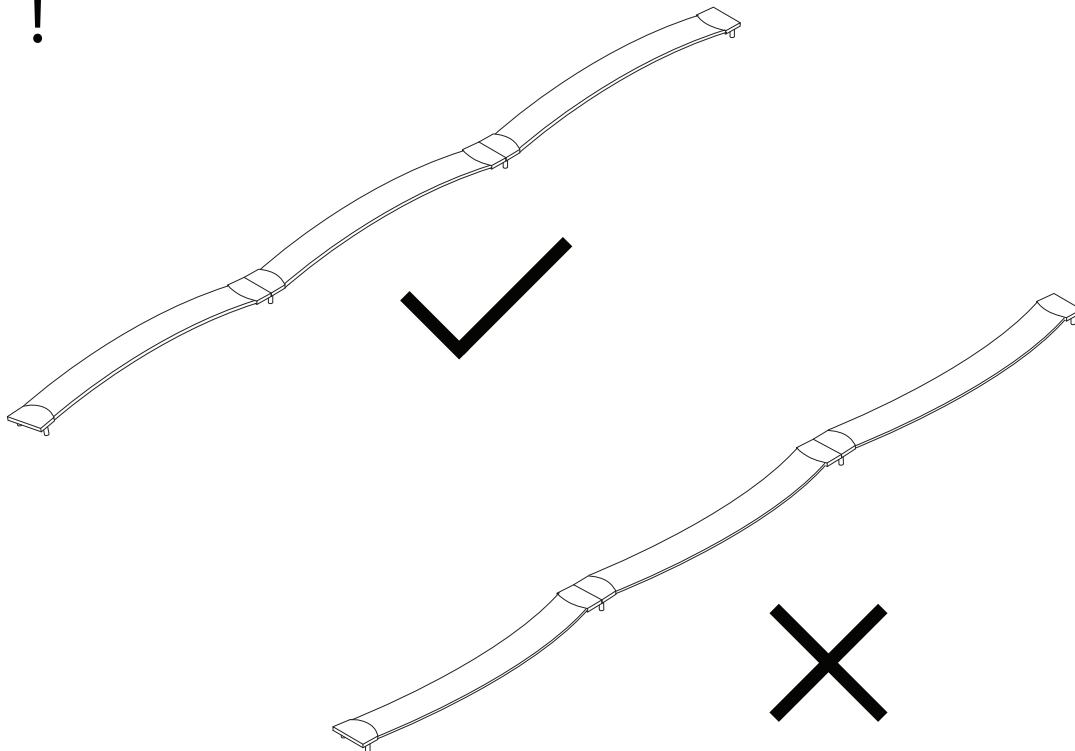
6



7 x 12



!



8

