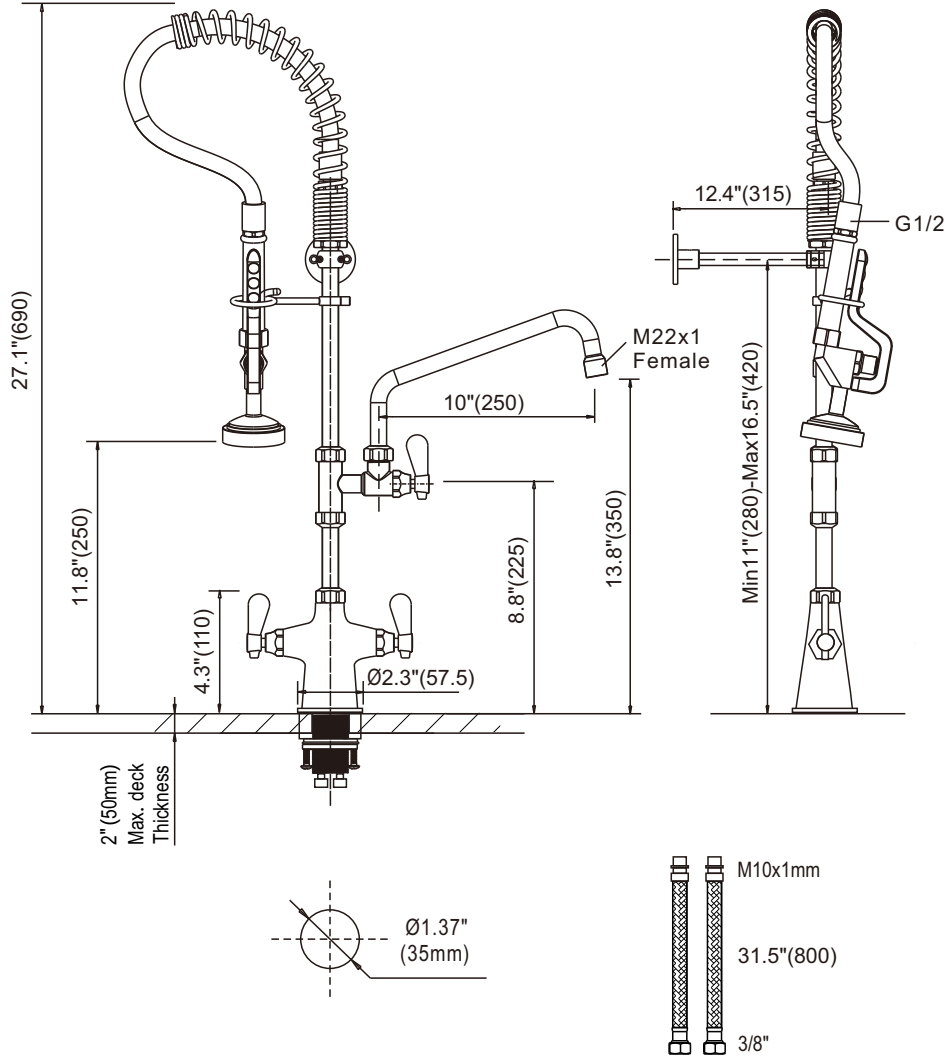


Installation instructions

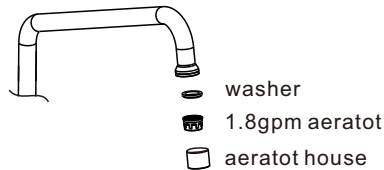
2318000C

25" Pre Rinse Faucets

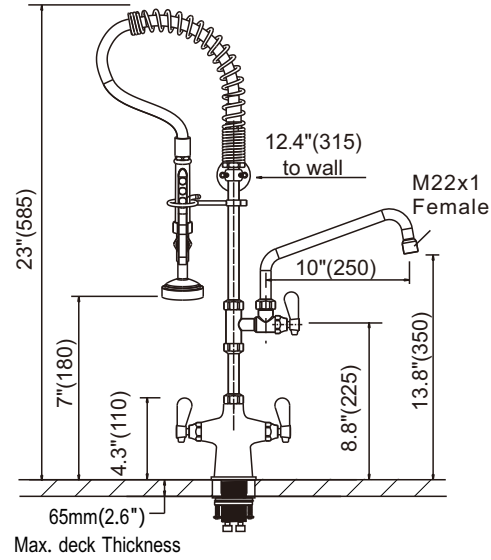


With 1.8 gpm are compliant with California water efficiency regulations, Complies with California Proposition 65 and with the Federal Safe Drinking Water Act.

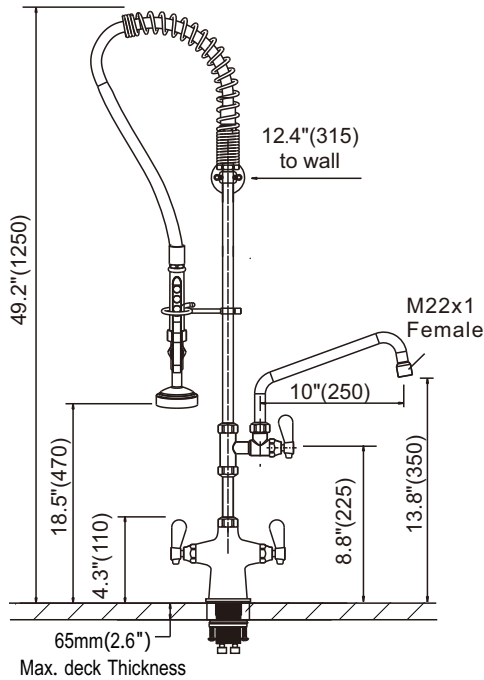
In areas with extremely low water pressure causing the faucet water flow to be unsatisfactory, replace the 2.2 gpm aerator to improve the water flow in the faucet.



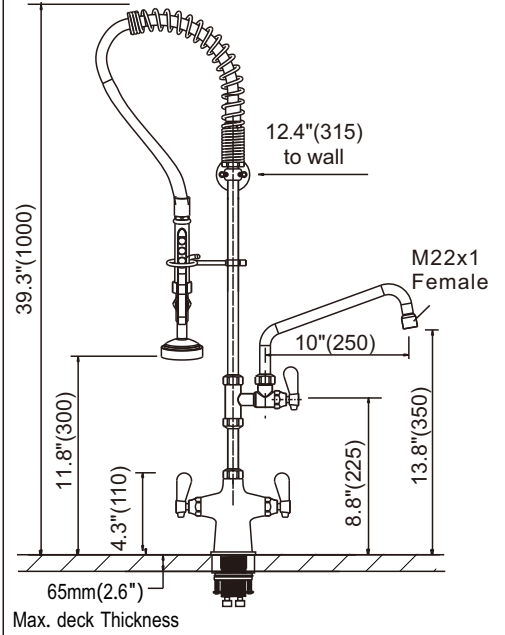
21" Mini Pre Rinse Faucets



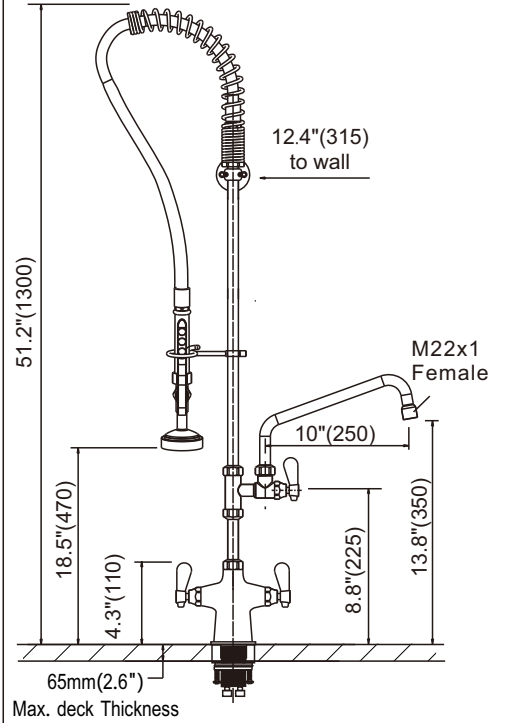
43" Pre Rinse Faucets



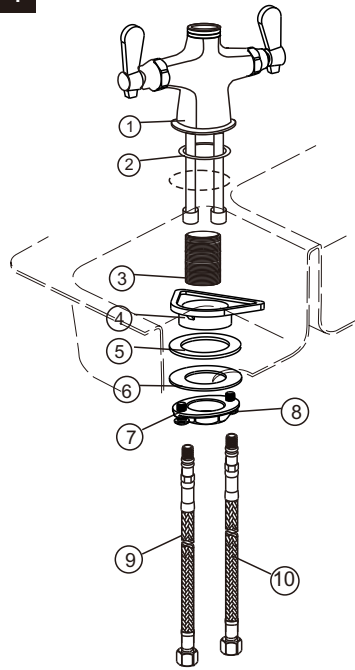
36" Pre Rinse Faucets



47" Pre Rinse Faucets

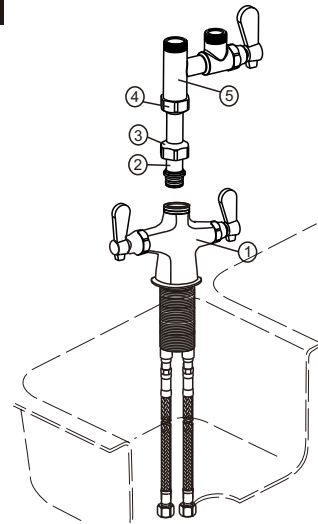


1



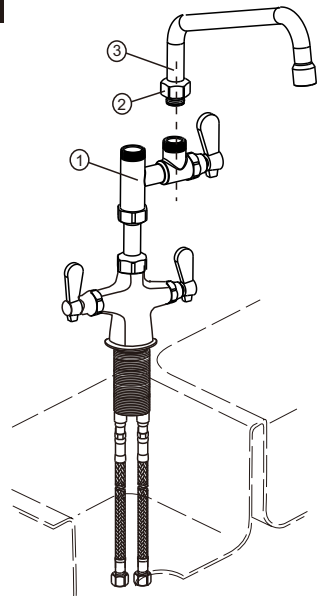
1. Screw flexible hoses (9) under the body (1)
2. Insert O-ring washer (2) under base angle (1)
3. Insert threaded rod (3) under body (1)
4. Screw flexible hoses (10) under the body (1)
5. Use the triangle fastener (4) when the thickness of sink <math>< 5\text{mm}</math>.
6. Place Triangle fastener (4) and washer (5) and SS304 washer (6) through threaded rod (3)
7. Screw hexagonal lock nut (7) on to threaded rod (3) and tighten.
8. Screw the nut (7) with screws (8) to fix the faucet body (1)

2



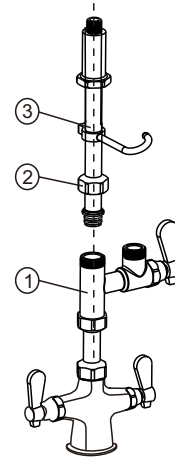
- Insert the short riser (2) to the body (1), Screw the thread (3) tightly. Connect the other side of the shorter riser (2) with the add-on faucet (5), Screw the thread (4) tightly.

3



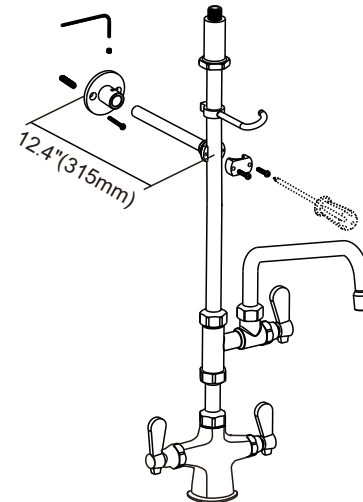
- Put the swing nozzle (3) into the add-on faucet (1), screw the nut (2).

4



- Connect the longer riser (3) with the other side of the add-on faucet (1), Screw the thread (2) tightly.

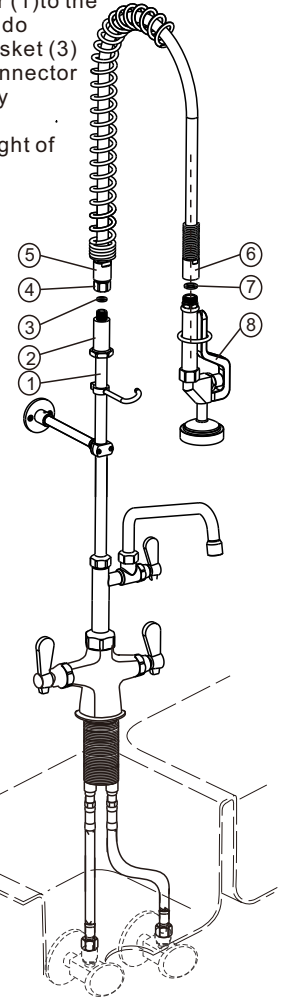
5



1. Fix one side of the wall bracket (4) onto the wall .
2. Unscrew the other side of the wall bracket (1) and put the longer riser inside (5). Screw the other side of the bracket (1) after adjusting the height of the wall bracket.
3. Insert the brass tube (3) into wall bracket (4), use the Allen wrench to fix the brass tube (3) and the bracket (4). Distance from wall MAX 160mm. Cut the brass tube (3) if the faucet to the wall is <math>< 160\text{mm}</math>.
4. Screw the hook (2) after adjusting the height with the screwdriver.

6

11. Connect the other side of the longer riser (1) to the flexible hose (5), do remember the gasket (3) inside and the connector (4) must be tightly screwed. Adjusting the height of the bracket (2).
11. Connect the other side of the flexible tube (6) with the spray (8), do remember the gasket (7) inside .



- Attach waterlines ,do not overtighten. Waterlines: 3/8" hot & cold hoses, If you need G1/2" hoses, please email us to buy 3/8" standard pipe connection G1/2" adapter included.

- FLUSH SYSTEM/CHECK FOR LEAKS. Turn on hot and cold water supplies and flush water lines for one minute. Check all connections at arrows for leaks. Retighten if necessary, but do not overtighten.