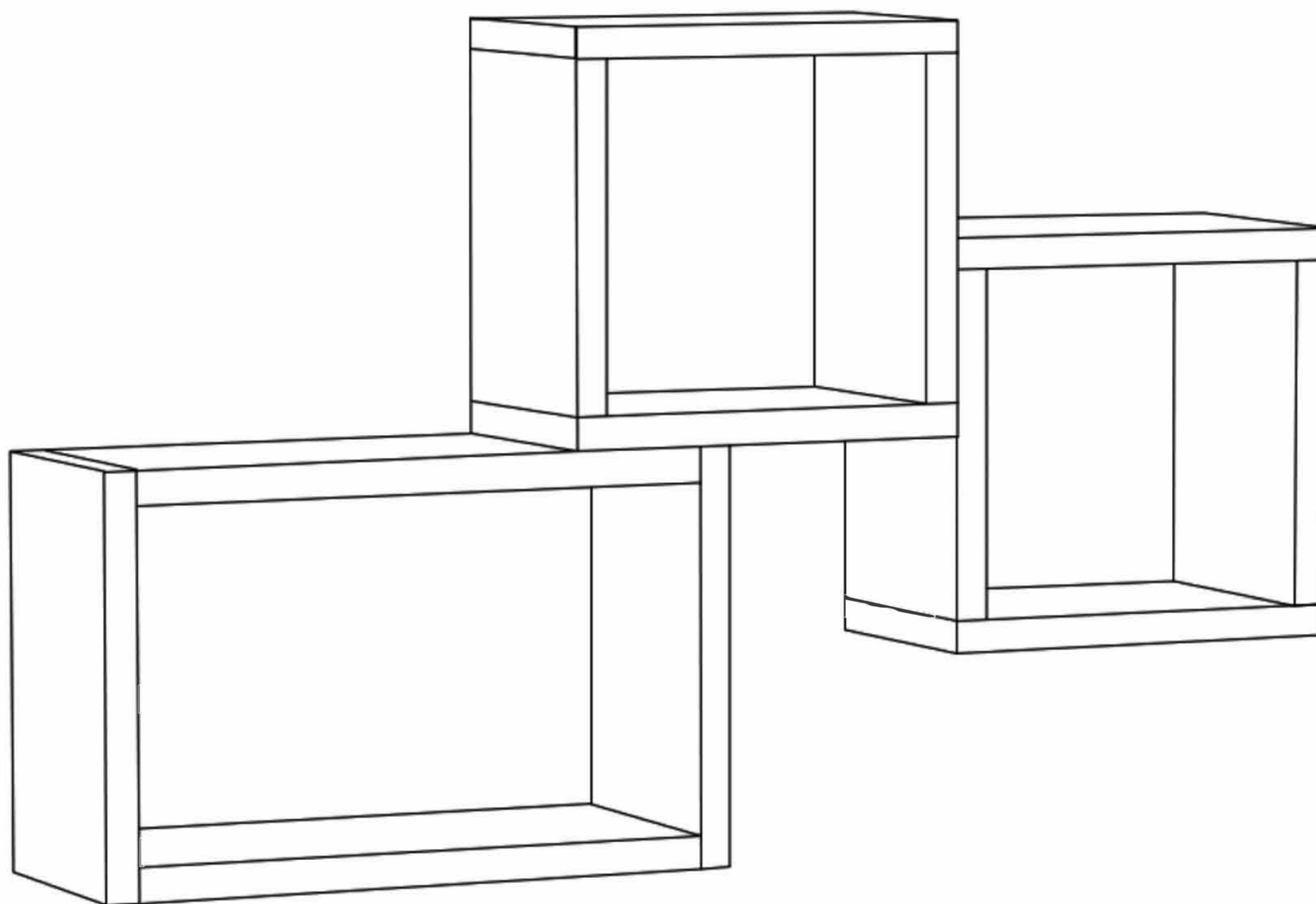


# Floating Cube Shelves Instruction Manual

V 1.1

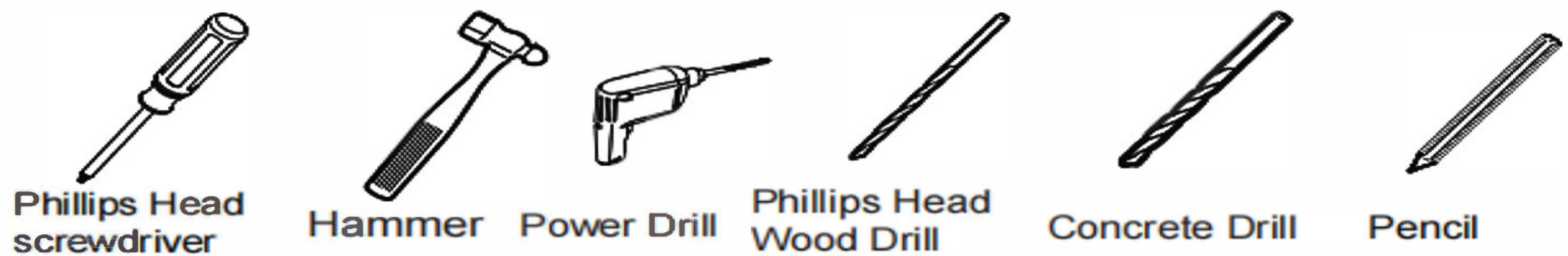


**Thank you for choosing us!**  
**We always focus on product improvement and service upgrades.**  
**Should you have any issues or suggestions, please don't**  
**hesitate to contact us.**

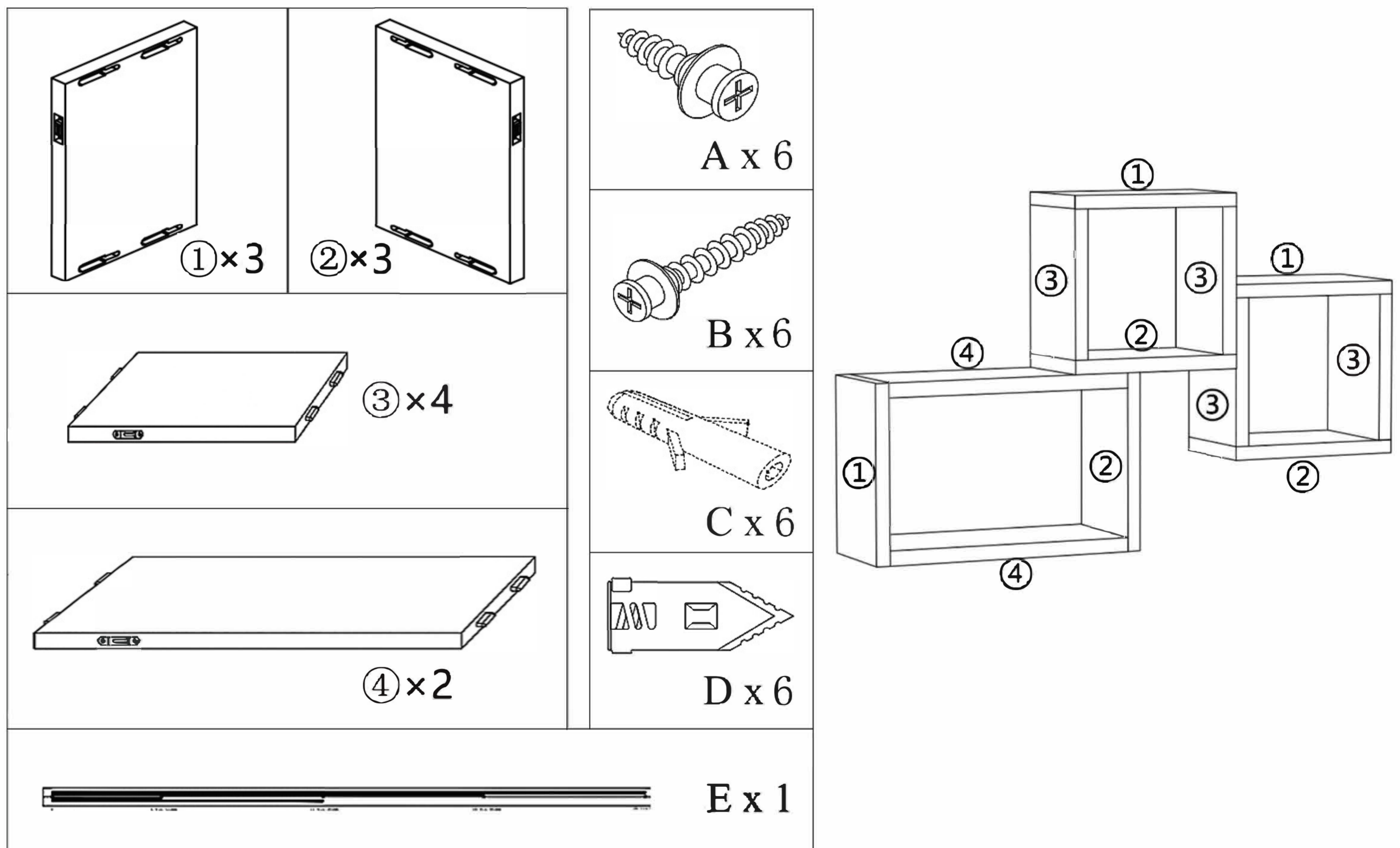
## IMPORTANT SAFETY INFORMATION

- Check package contents against supplied parts and hardware list to ensure all parts were received in good condition. Do not use damaged or defective hardware. If you require replacement parts, please get in touch customer service.
- Carefully read all instructions before attempting installation. Please contact customer service if you have any concerns or questions.
- The weight capacity of this product is 50 lbs (23 kg). Do not exceed weight capacity. We cannot be liable for damage or injury caused by improper mounting, incorrect assembly, or inappropriate use. Thank you for your understanding.

## TOOLS NEEDED (NOT INCLUDED)



## SUPPLIED PARTS AND HARDWARE



## ATTENTION

**Before installation, please identify your wall type. For concrete or brick wall installation, follow STEP 2. For wood wall installation, follow STEP 3. For drywall/plaster, follow STEP 4.**

## STEP 1

**Parts:** ①x1, ②x1, ③x2

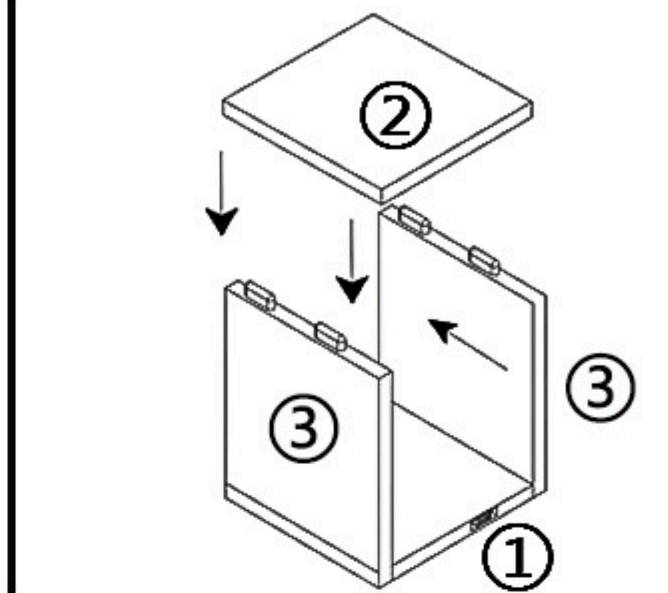
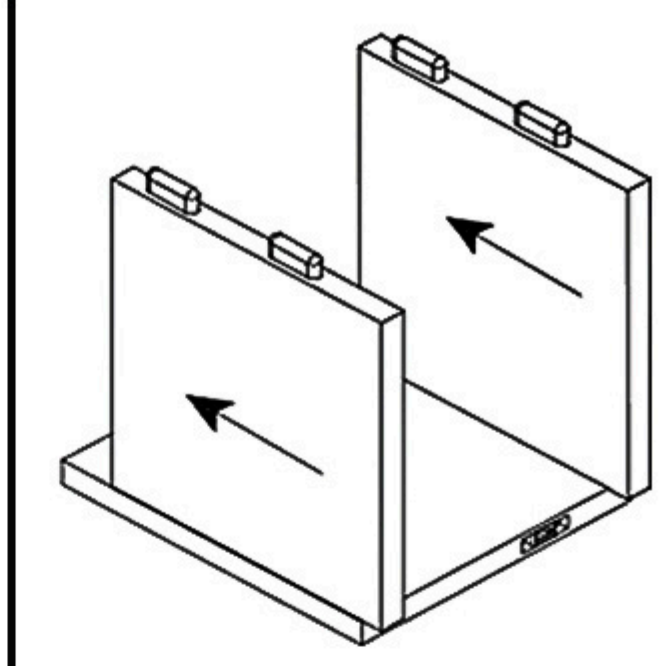
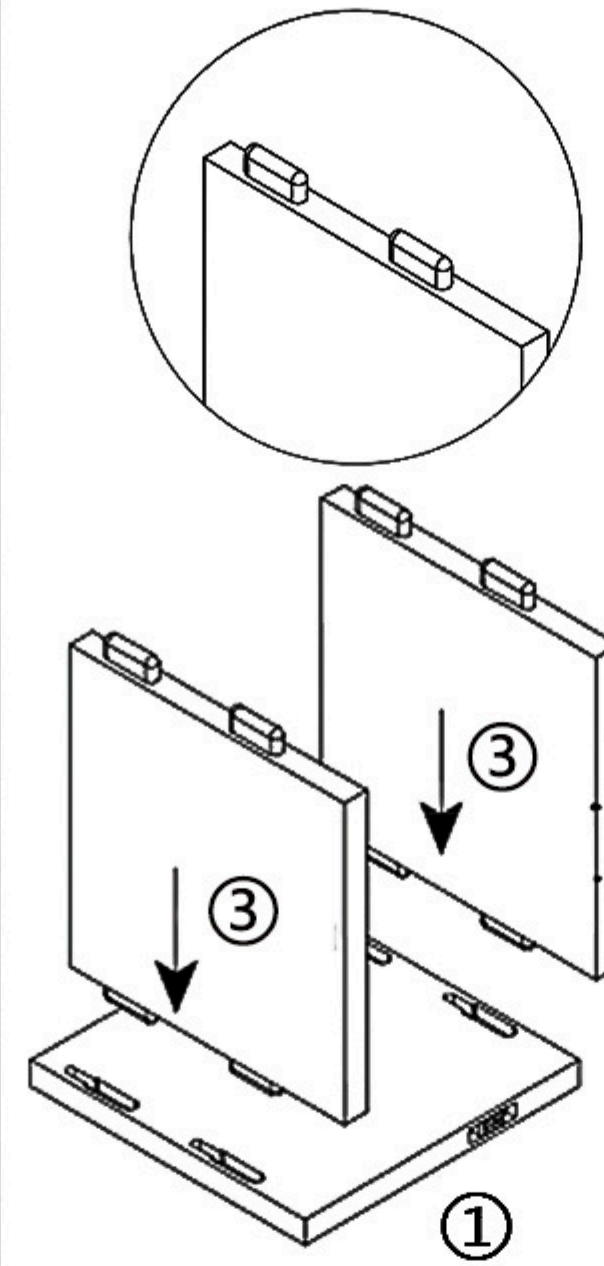
**Tool:** Hammer

Take square cube as an example:

Put board ① down and take one board ③. Let the yellow connections on board ③ slide from the big grooves to the small grooves so that the yellow connector gets stuck, you could use a hammer or your hands to tap it gently.

Take another board ③ and repeat it.

Put board ② on the top and slide it until it is flush with board ③. Then repeat the above steps to install other cubes.



## STEP 2 For concrete or brick wall ONLY

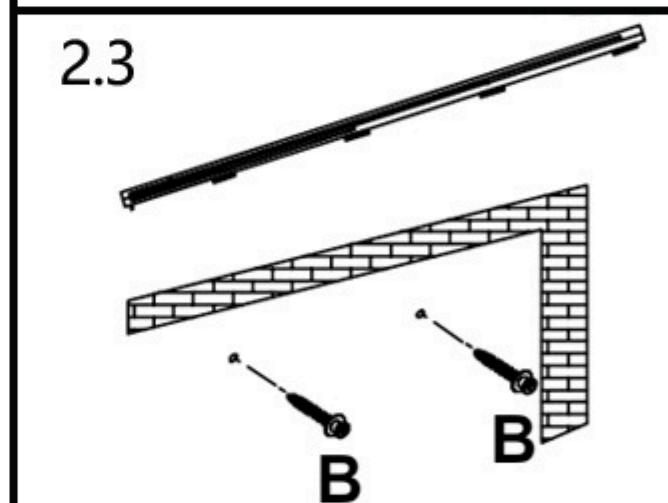
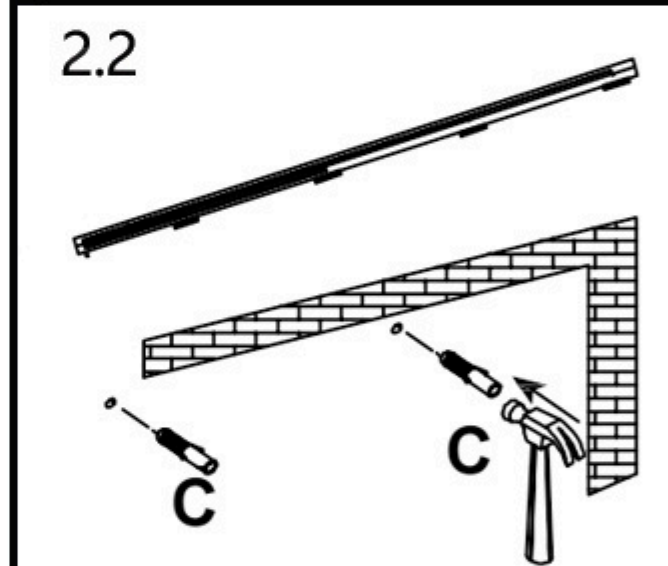
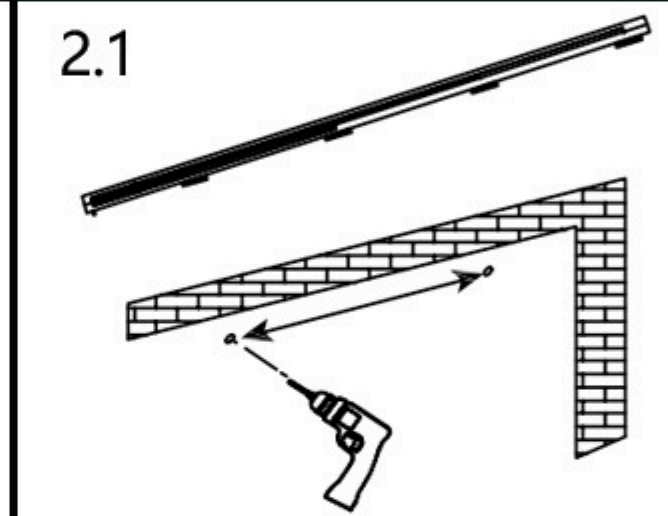
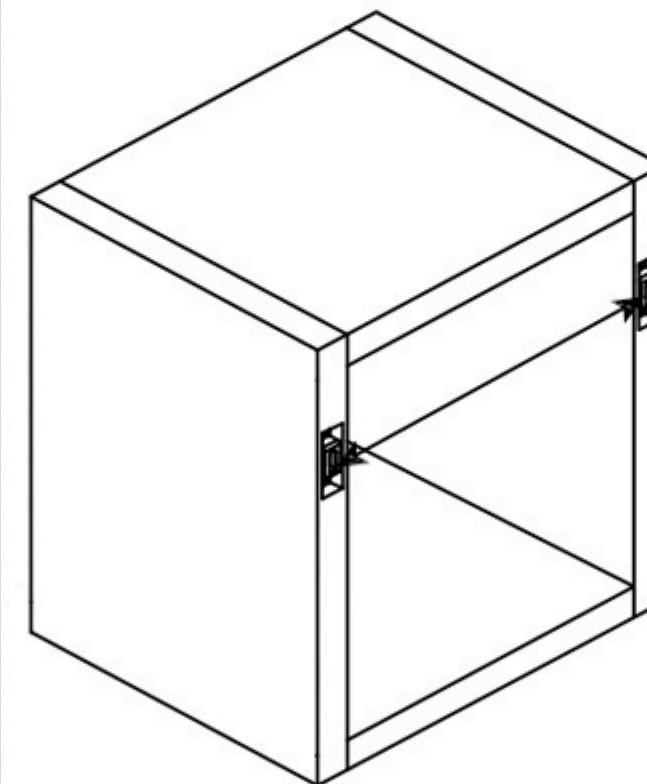
**Parts:** Bx2, Cx2, Ex1

**Tool:** Paper tape, pencil, power drill with a concrete drill, hammer and phillips head screwdriver

2.1 Select two dots on the paper tape (E) according to the length of the floating shelf cube, and use a pencil to make two marks on the wall. Then, make two holes with a power drill with a concrete drill.

2.2 Put (C) into the holes and tap with a hammer gently.

2.3 Insert screw (B), use a phillips head screw driver to tighten the screws.



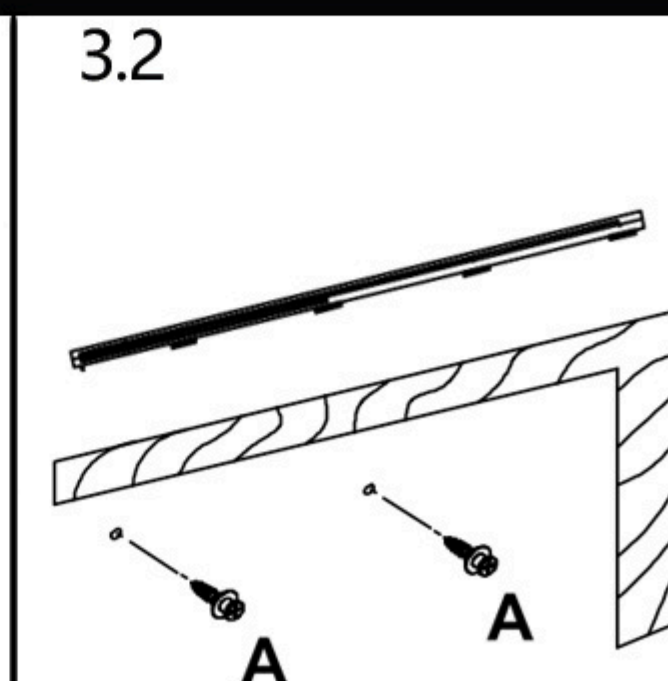
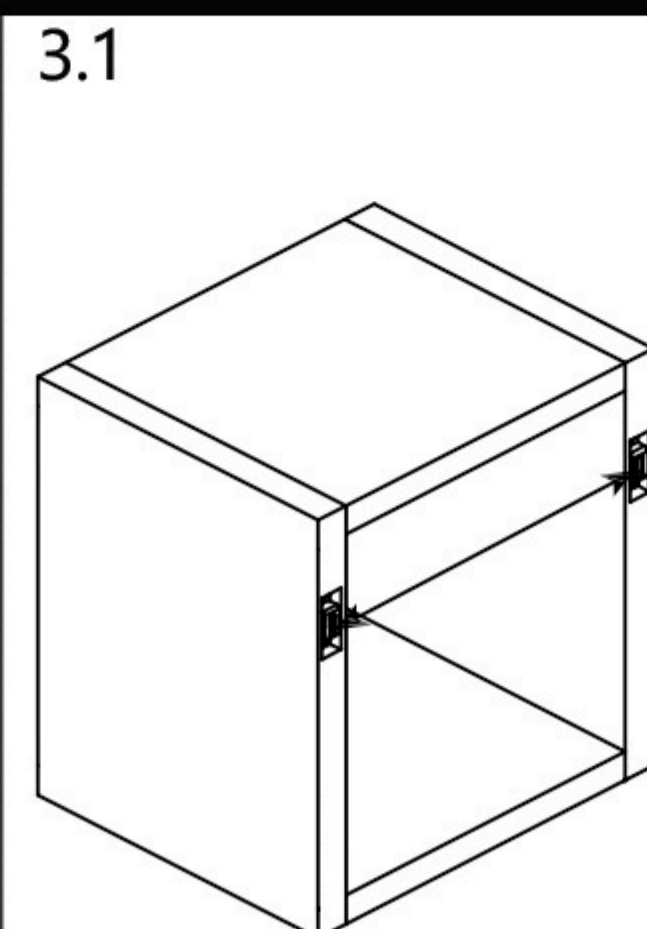
## STEP 3 For wood wall ONLY

**Parts:** Ax2, Ex1

**Tool:** Paper tape, pencil, power drill with a phillips head or phillips head screwdriver

3.1 Select two dots on the paper tape (E) according to the length of the floating shelf cube and use a pencil to make two marks on the wall.

3.2 Screw (A) into the wall with a power drill with a phillips head or philips head screwdriver.



## STEP 4 For drywall / plaster wall ONLY

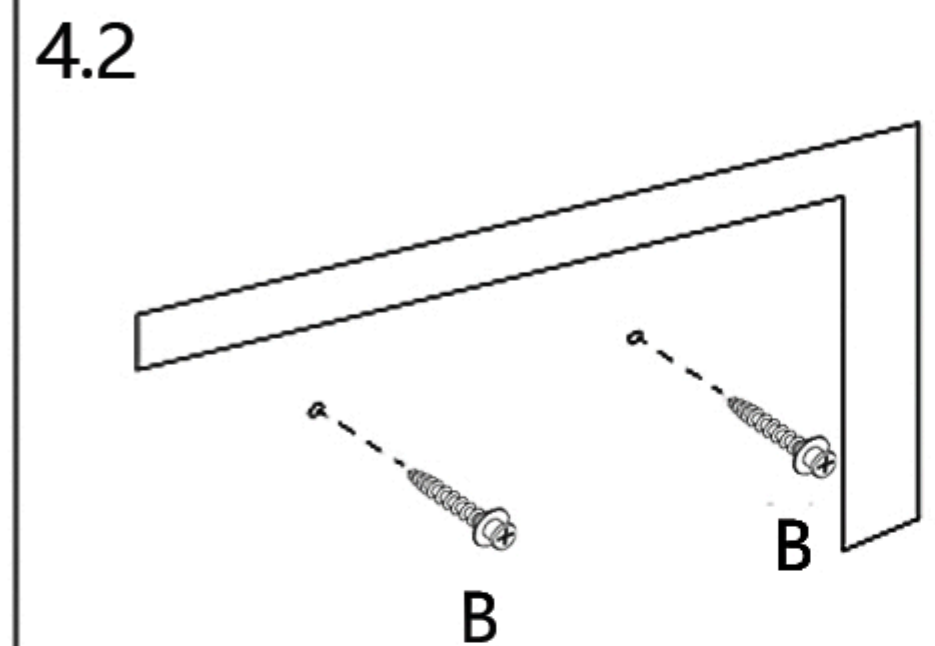
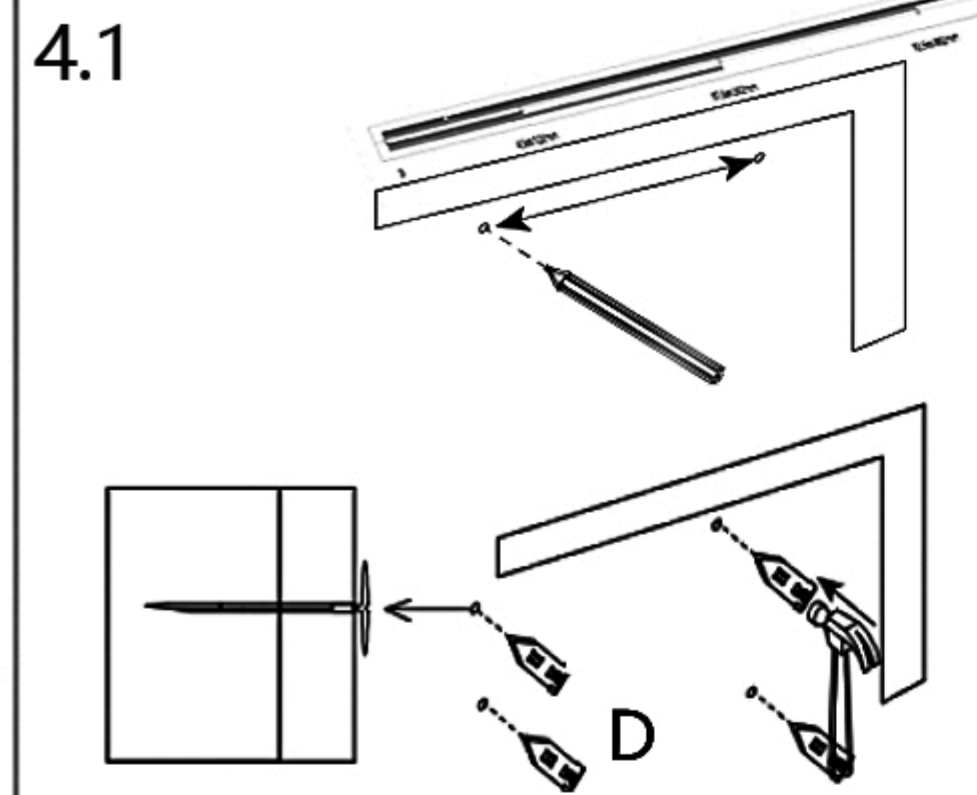
**Parts: Bx2, Dx2, Ex1**

**Tool: Paper tape, pencil, hammer, phillips head screwdriver, power drill**

4.1 Select two dots on the paper tape (E) according to the length of the floating shelf cube, then make two marks or use a power drill to make two small holes on the wall. Tap (D) into the wall at the marks or into the small holes with a hammer gently.

**Attention:** (D) is combined by 2 pieces of metal. Please place the longer piece facing up and keep both pieces parallel to the ground when tapping.

4.2 Insert screw (B), use a phillips head screwdriver to tighten the screw.

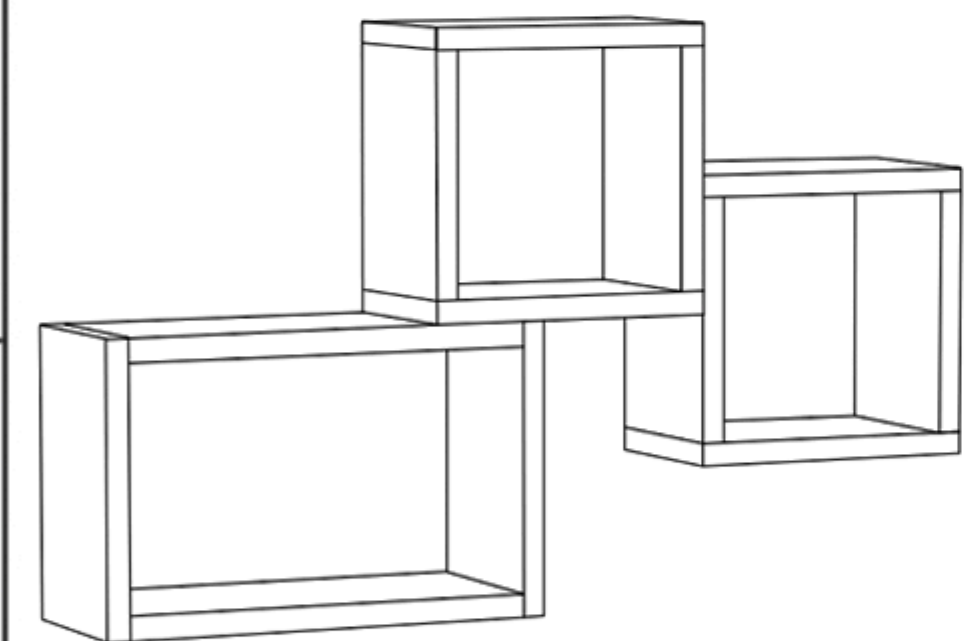
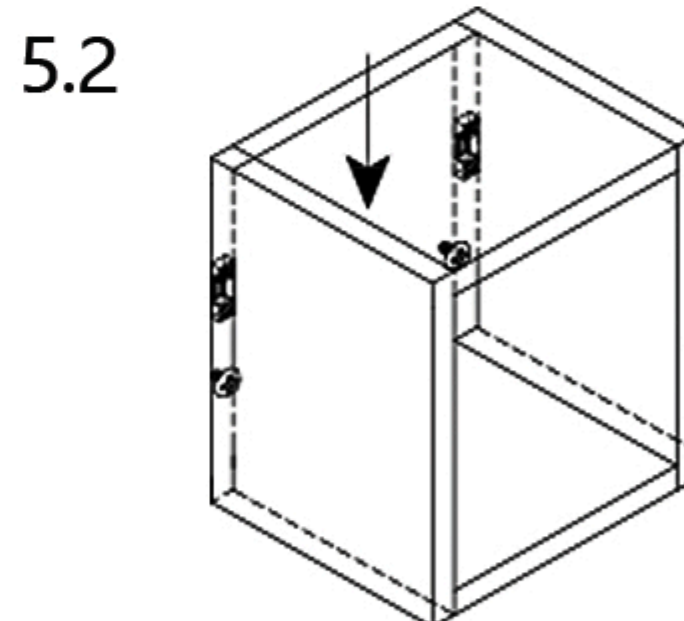
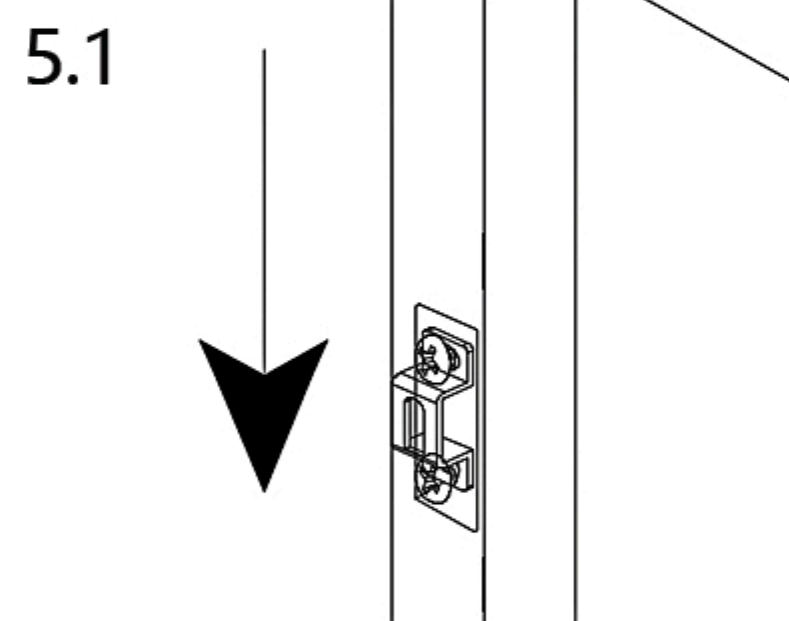


## STEP 5

5.1 We pre-fixed the metal attachment fitting with screw in this version. Please arrange the cube against the wall with the grooves facing downward on the metal attachment fitting.

5.2 Hang all cubes on the wall according to your design and preferences.

**Congratulations! Your Installation is complete.**



## EXTRA SERVICE

To provide the best service to you, don't forget to register your product to confirm your warranty.

It only takes a few simple steps and then you can access a wide range of services such as technical support, new product alert, promotions, and warranty service.